

Spare Part Book

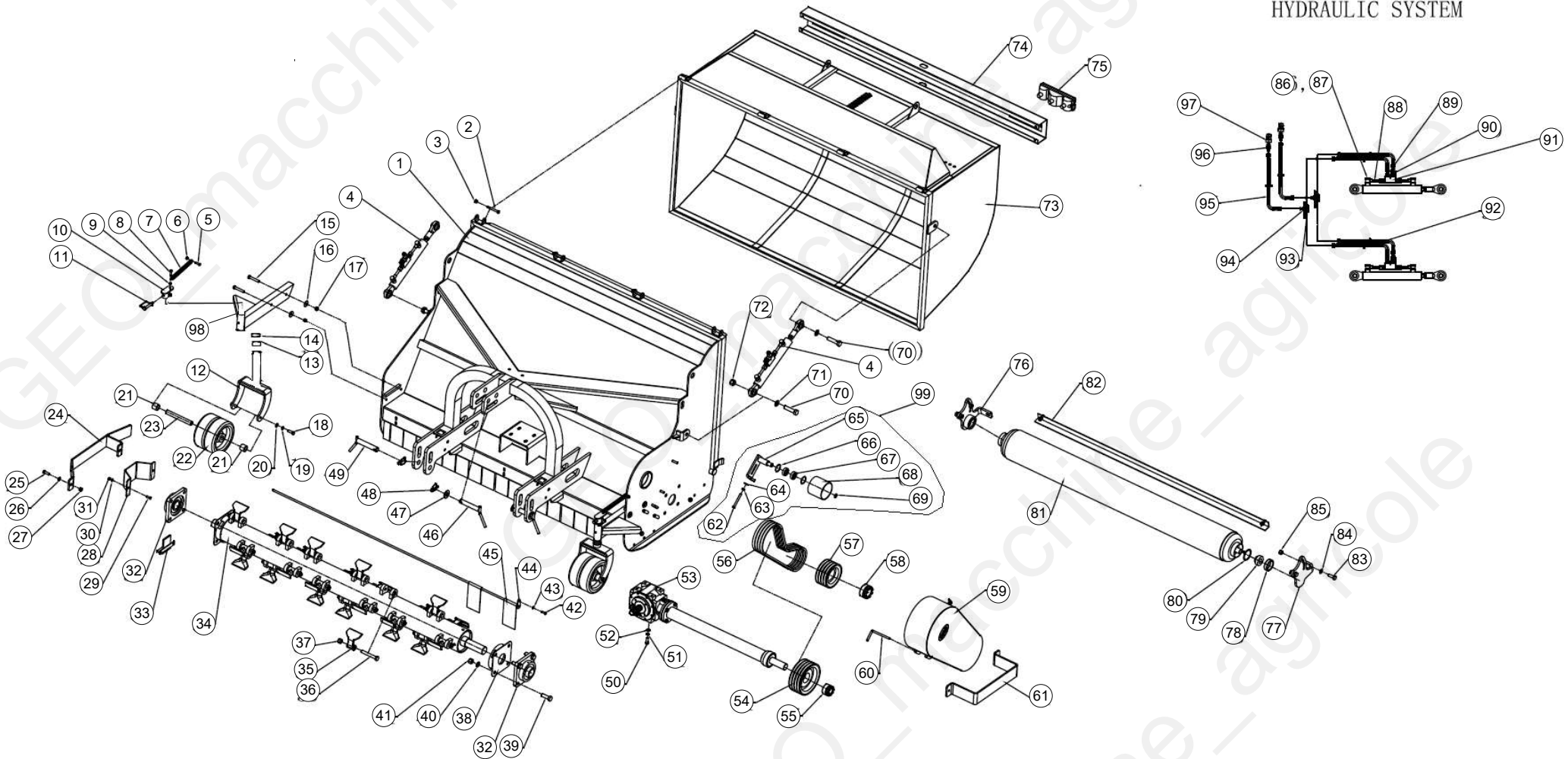


FLP



Table of Contents

Tavola	Page
FLP180_parte 1	3
FLP180_parte 2	8

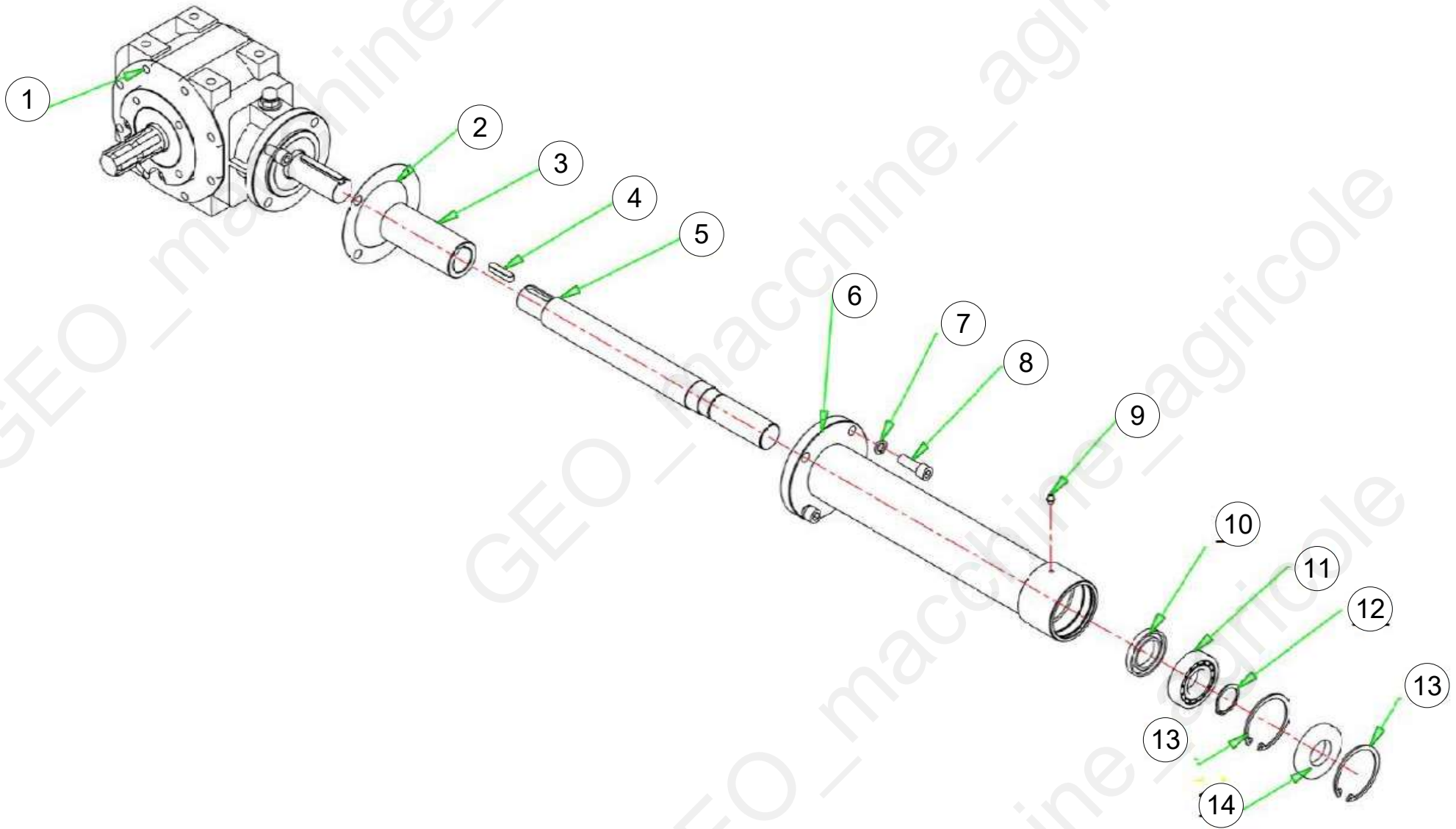


Pos	Code	Description	NOTE	Q.
1	FLP180.011	Body Weldment		1
2	GB5782-M10x80	Bolt M10x80		4
3	GB889.1-M10	Locking nut M10		4
4	FLP180.060	Cylinder		2
5	GB5783-M8x35	bolt M8x35		2
6	GB889.1-M8	Locking nut M8		4
7	FLP180.105	Spring		2
8	GB5783-M8x30	bolt M8X30		2
9	GB6170-M8	Nut M8		2
10	FLP180.015	Connection Weldment		2
11	D-PIN-12x75	D Shape Lock Pin 12x75		2
12	FLP180.016	Wheel Frame		2
13	FLP180.103-1x	Long Sleeve		2
14	FLP180.104	Short Sleeve		6
15	GB5782-M12x70	Bolt M12x70		4
16	GB96-12	Plain washer 12		4
17	GB889.1-M12	Locking nut M12		4
18	GB5783-86/M12x35	Bolt M12x35		4
19	GB93-12	spring washer 12		4
20	GB97.1-12	plain washer 12		4
21	FLP180.106	Bush		4
22	FM150.030	Tire WHEEL 8x3		4
23	FLP180.107	Shaft inside Tire		2
24	FLP180.021	Right Belt Cover Protector		1
25	GB5783-86/M12x35	Bolt M12x35		4

Pos	Code	Description	NOTE	Q.
26	GB97.1-12	plain washer 12		4
27	GB889.1-M12	Locking nut M12		4
28	FLP180.110	Cover Plate		1
29	GB5783-M8x25	bolt M8X25		2
30	GB97.1-8	Plain washer 8		2
31	GB889.1-M8	Locking nut M8		2
32	F90310	Bearing 90310		2
33	FLP180.026	Cover Weldment		1
34	FLP180.025	Blade Axle		1
35	EFGC.100.00.107	Hammer Ø16mm		24
36	GB5782-M16x110	Bolt M16x110		24
37	GB889.1-M16	Locking nut M16		24
38	FLP180.024	Circlip Weldment		2
39	GB5783-M18x55	Bolt M18x55		8
40	GB97.1-18	Plain washer 18		8
41	GB889.1-M18	Lock Nut M18		8
42	GB5783-M8x25	bolt M8X25		1
43	GB97.1-8	Plain washer 8		1
44	FLP180.013	Circlip Weldment		1
45	AG140.113	Fender		19
46	FLP180.019	Uppder Hanging Weldment		1
47	FLP180.109	Washer		2
48	LPIN.12	Lock Pin 12		3
49	FLP180.018	Lower Hanging Weldment		2
50	GB5783-86/M12x35	Bolt M12×35		4

Pos	Code	Description	NOTE	Q.
51	GB93-12	spring washer 12		4
52	GB97.1-12	plain washer 12		4
54	FLP180.111	Big Pulley 190 cm 4 grooves		1
55	REACH-Z04-40x65	Locking device- 40x65		1
56	GB/1154-17.54	BELT B 54 (1372Li)	V BELT	4
57	FLP180.112	Small Pulley 150 cm 4 grooves		1
58	REACH-Z04-50x80	Locking device 50x80		1
59	FLP180.020	Belt Cover Weldment		1
60	FLP180.102	Pin		1
61	FLP180.116	Left Belt Cover Protector		1
62	GB5783-M10x90	Bolt M10x90		1
63	GB96-10	Washer 10		1
64	GB6170-10	Nut M10		1
65	FLP180.023	Belt Tension Seat Weldment		1
66	GB893.1-47	Circlip 47		2
67	GB276-204	Bearing 204		2
68	FLP180.023	Belt Tension Seat Weldment		1
69	GB894.1-20	Circlip 20		1
70	GB5782-M20x80	Bolt M20x80		4
71	GB97.1-20	Plain washer 20		4
72	GB889.1-M20	Locking nut M20		4
73	FLP180.012	Grass Collector Weldment		1
74	FLP180.117	Rear Light Seat		1
75	TL-401	Rear Light		2
76	FLP180.027	Left Tire Weldment		1

Pos	Code	Description	NOTE	Q.
77	FLP180.028	Right Tire Weldment		1
78	FLP180.115	Bearing Seat		2
79	GB3882-90206	Bearing 90206 - SB206		2
80	GB894.1-70	Circlip 70		2
81	FLP180.029	Roller		1
82	FLP180.114	Mud Shield		1
83	GB5783-M14x40	Bolt M14X40		4
84	GB97.1-14	Plain washer 14		4
85	GB889.1-M14	Locking nut M14		4
86	GB3451-M16x30	Hydraulic Bolt M16x1.5x30		4
87	GB3451-16	Copper Washer 16		12
88	FLP180.061	Hydraulic Hoses		4
89	FLP180.601	Short Adapter		2
90	FLP180.602	Long Adapter		2
91	FLP180.005	Hydraulic Valve		2
92	FLP180.062	Wrap Pipe 1		4
93	FLP180.603	Tee Joint		2
94	GB6173-M14x1.5	Locking Nut M14x1.5		2
95	FLP180.063	Wrap Pipe 2		2
96	BV160.00.114	Adapter		2
97	QC-R1/2-M	Quick Connector R1/2		2
98	FLP180.017.1	Wheel Support R		1
98	FLP180.017.2	Wheel Support L		1
99	FLP180.00.01	FLP Belt Tensioner Assembly		1



Machine: FLP

Assembly: FLP180_parte 2



Pos	Code	Description	NOTE	Q.
1	XH50.300Z.02W	Gearbox assembly		1
2	EFGC125.166	Paper gasket		1
3	EFGC125.167	Connected sleeve		1
4	GB1096-A10x40	Key A10x40		1
5	FLP180.401	SHAFT FLP-GK 200-240		1
6	FLP180.041	Axle Tube Weldment FLP-GK 200-240		1
7	GB93-12	spring washer 12		4
8	GB70-M12x35	Bolt M12x35		4
9	GB1152-M6	Grease Nipple M6		1
10	GB13871-45x70x8	Oil Seal FB45x70x8		1
11	GB276-6208	Bearing 6208		1
12	GB894.1-40	Check ring 40		1
13	GB893.1-80	Seeger ring 80		2
14	GB13871-40x80x10	Oil seal 40x80x10		1