

# Spare Part Book



**GB**

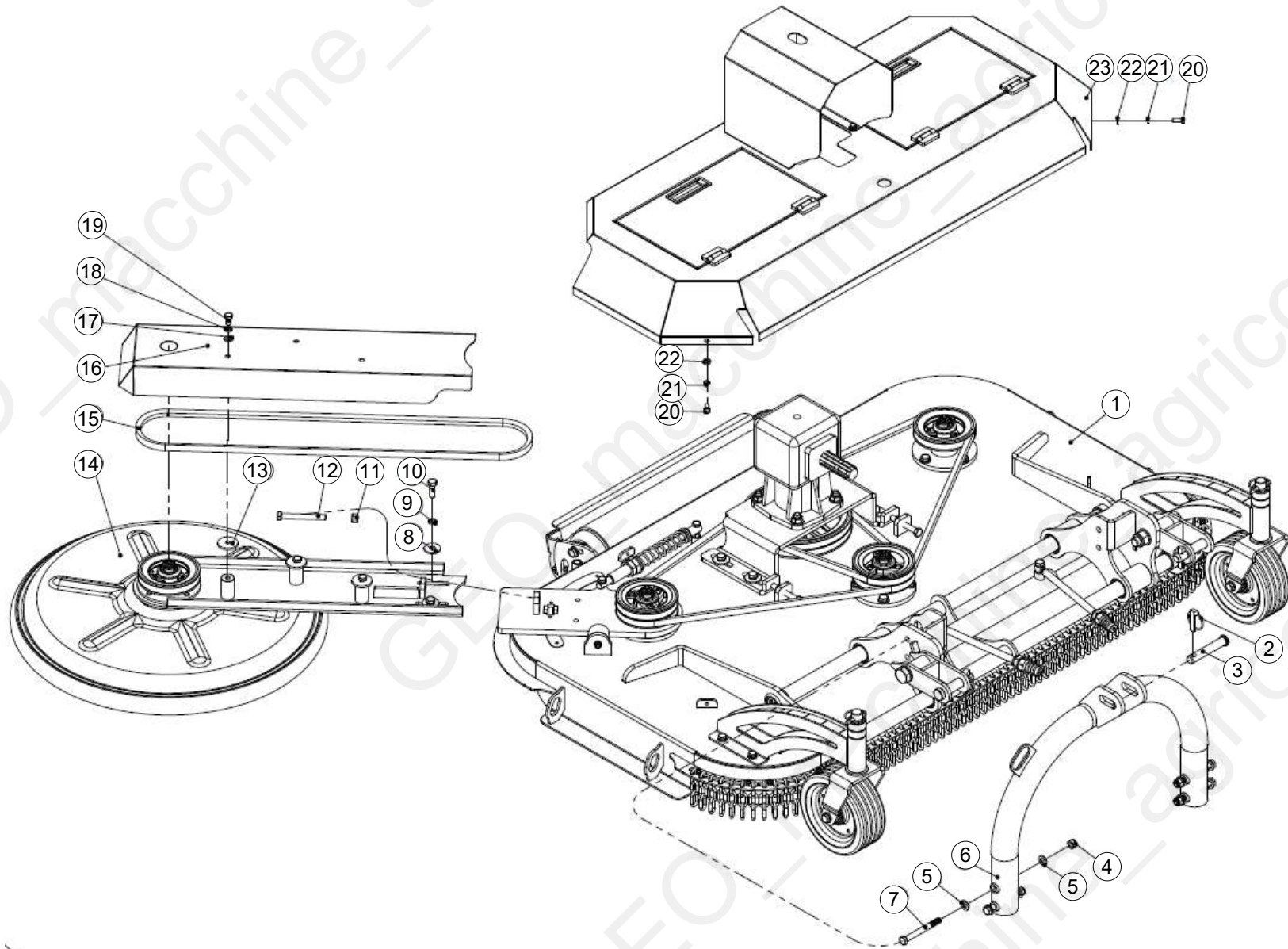


# Table of Contents

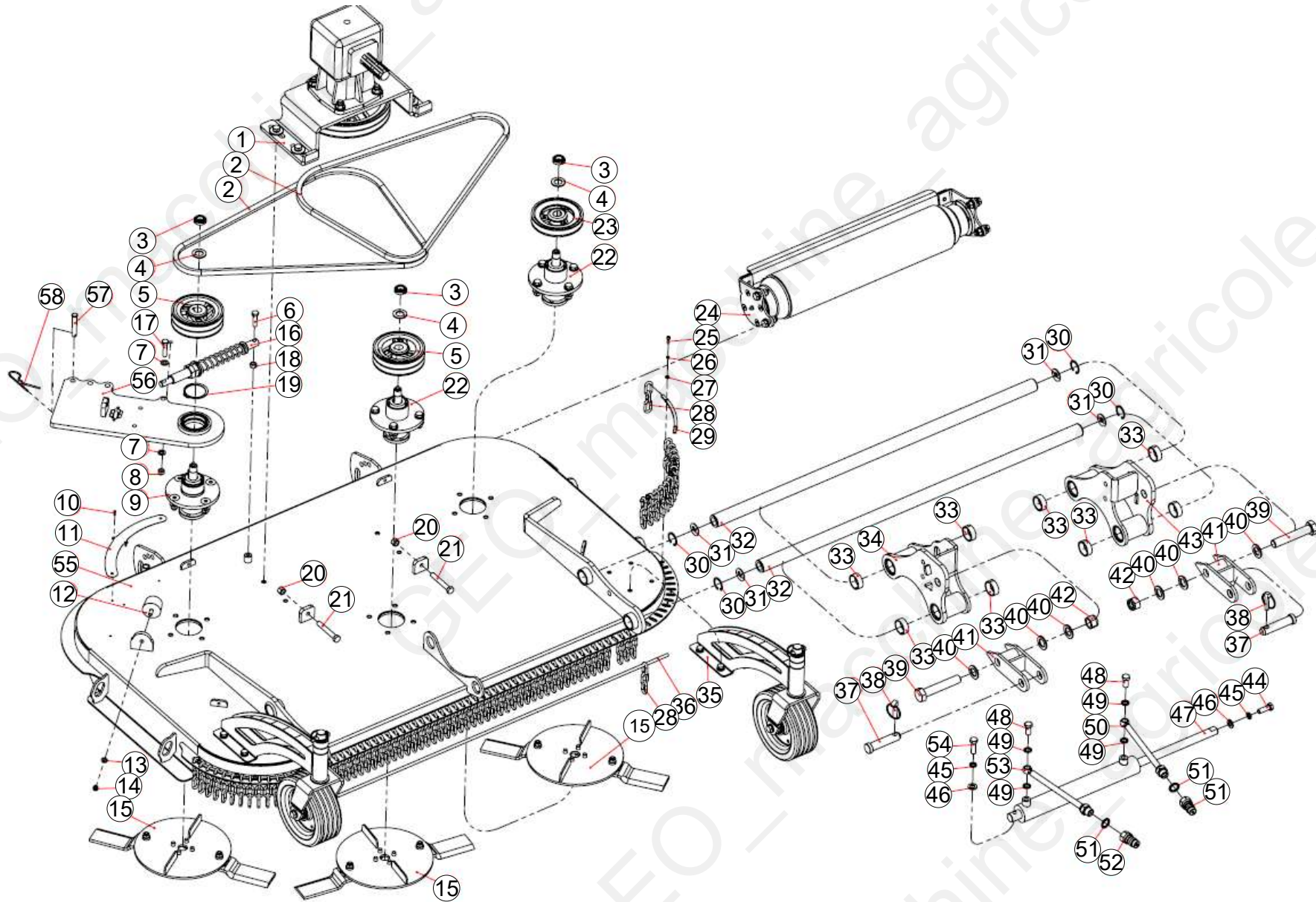
Tavola	Page
GB-GBH	3
GB 2016 2018	31

## GB-GBH





Pos	Code	Description	NOTE	Q.
2	11x45	Safety pin 11*45		1
3	EF175-119	Upper Suspension Pin		1
4	GB/T.889.1-2000-12	Lock Nut M12		4
5	GB/T.95-2002-12	Flat washer 12 × 2.5		8
6	G.US145H-015	3 point hitch weldment		1
7	GB/T.5782-M12×110	Bolt M12×110		4
8	GB/T.96.2-2002-12×3	Large plain washer 12×3		2
9	GB/T.93-1987-12	Spring washer 12		2
10	GB/T.5783-2000-M12x35	Bolt M12x35		2
11	GB/T.41-2000-12	Nut M12		1
12	GB/T.5783-M12x100	Bolt M12×100		1
13	BCRI200-108	Fixed washer		3
14	G.FMH150.S-001-03A	Floating Disc Exploding Drawing GB150		1
14	G.FMH180.S-001-03A	Floating Disc Exploding Drawing GB 180		1
15	SPB-1900	belt GB150 -XPB 1900		1
15	SPB-2000	belt GB180 -XPB 2000		1
16	G.FMH150.S-126	Pully Cover		1
16	G.FMH180.S-126	Pully Cover		1
17	GB/T.95-2002-10	Flat washer 10 × 2		3
18	GB/T.93-1987-10	Spring washer 10		3
19	GB/T.5783-2000-M10x20	Bolt M10 ×20		3
20	GB/T.5783-2000-M8×20	BoltM8×20		4
21	GB/T.93-1987-8	Spring washer 8		4
22	GB/T.95-2002-8	Flat washer 8 × 1.6		4



Pos	Code	Description	NOTE	Q.
2	SPB-1800	belt GB150 -XPB 1800		2
2	SPB-1965	belt GB180 -XPB 1965		2
3	OW-GUK28-White.Zinc	Round Lock Nut M20×1.5		3
4	GB/T.95-2002-20	Flat washer 20 × 3		3
5	G.FMH150.S-114	Pulley II		2
6	GB/T.5783-2000-M10x40	Bolt M10×40		1
7	GB/T.95-2002-10	Flat washer 10 × 2		2
8	GB/T.889.1-2000-10	Lock Nut M10		1
9	G.FMH150.S-001-01-04	Joint Bearing Seat Assembly		1
10	GBT12618.2-2006	Open End Blind Rivet(Flat Round Head) 3×10		4
11	G.FMH150.S-120	Raceway board		1
12	BH7-121	Buffer Block		1
13	GB/T.95-2002-8	Flat washer 8 × 1.6		1
14	GB/T.889.1-2000-8	Lock Nut M8		1
15	G.FMH150.S-001-01-02	Blade Flywheel Assembly		3
15	G.FMH180.S-001-01-02	Blade Flywheel Assembly		3
16	G.FMH150.S-001-01-08	Sliding Rod Assembly		1
17	GB/T.5783-2000-M10x45	Bolt M10×45		1
18	GB/T.41-2000-10	Hexagonal nut M10		1
19	GB.894.1-86-60	Circlip A 60		1
20	GB/T.41-2000-12	Nut M12		2
21	GB/T.5783-2000-M12x80	Bolt M12×80		2
22	G.FMH150.S-001-01-03	Bearing Seat Assembly		2
23	G.FMH150.S-109	Pulley		1
25	GB/T.70.1-2000-M5x16	Hexagonal countersunk head screw M5×16		8

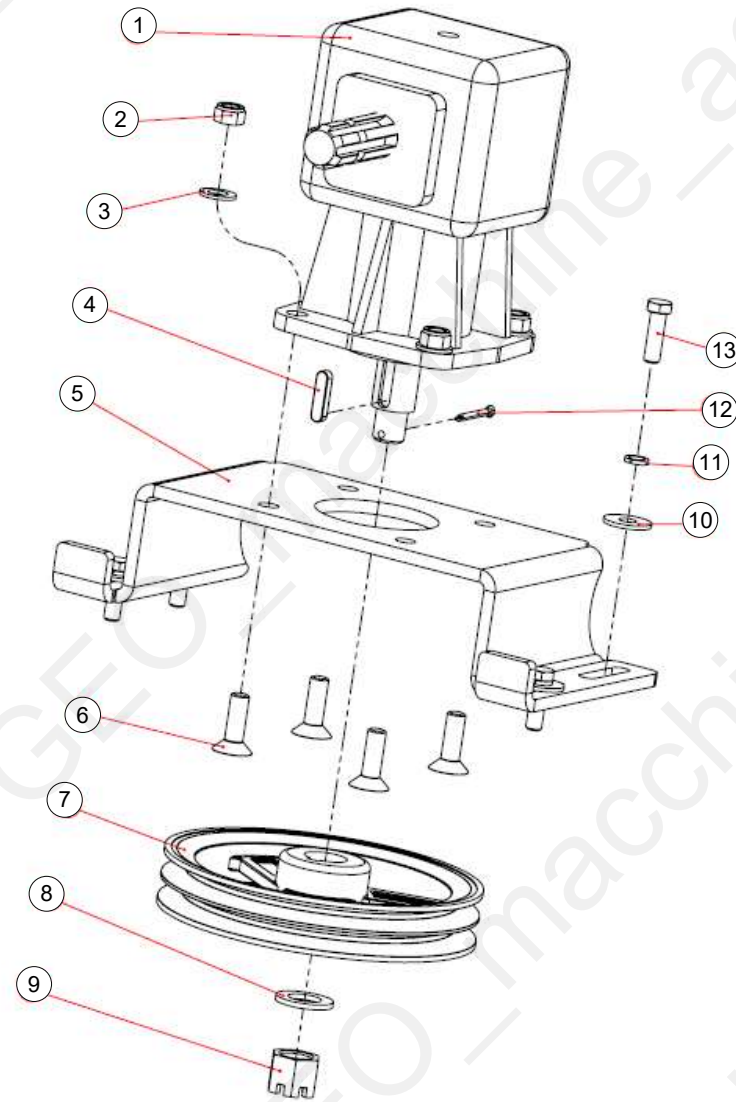
Pos	Code	Description	NOTE	Q.
26	GB/T.93-1987-5	Spring washer 5		8
27	GB/T.95-2002-5	Flat washer 5 × 1		8
28	G.FMH150.S-113-1	Galvanized chain 6 ×20 × 28 (3) 180		90
28	G.FMH150.S-113-2	Galvanized chain 6 ×20 ×28 (3) 150		78
29	G.FMH150.S-108	Chain Fixed Plate		4
30	GB.894.2-86-35	Circlip A 35		4
31	G.US145H-101	Slider end cover		4
32	G.US145H-102	Guide		2
33	36x3x15	POM Guide Ring 36x3x15		8
34	G.FMH150.S-012	Guide rail bracket weldment-L		1
36	G.FMH150.S-111	Chain pin 150		1
36	G.FMH180.S-111	Chain pin 180		1
37	G.FMH150.S-110	Lower suspension pin		2
38	11x45	Safety pin 11*45		2
39	GB/T.5782-M22x120	Bolt M22×120		2
40	GB/T.95-2002-22	Flat washer 22 × 3		6
41	G.FMH150.S-017	Floating Plate Weldment		2
42	GB/T.889.1-2000-22	Lock Nut M22		2
43	G.FMH150.S-013	Guide rail bracket weldment-R		1
44	GB/T.5783-2000-M12x35	Bolt M12x35		1
45	GB/T.93-1987-12	Spring washer 12		2
46	GB/T.95-2002-12	Flat washer 12 × 2.5		2
47	G.US145H.103	Cylinder Assembly(Grey)		1
48	G-1/4	G 1/4 grease nipple		2
49	BS/A13.70(G1/4)	Combined sealing gaskets(Automatic core)1/4		4

Machine: GB-GBH

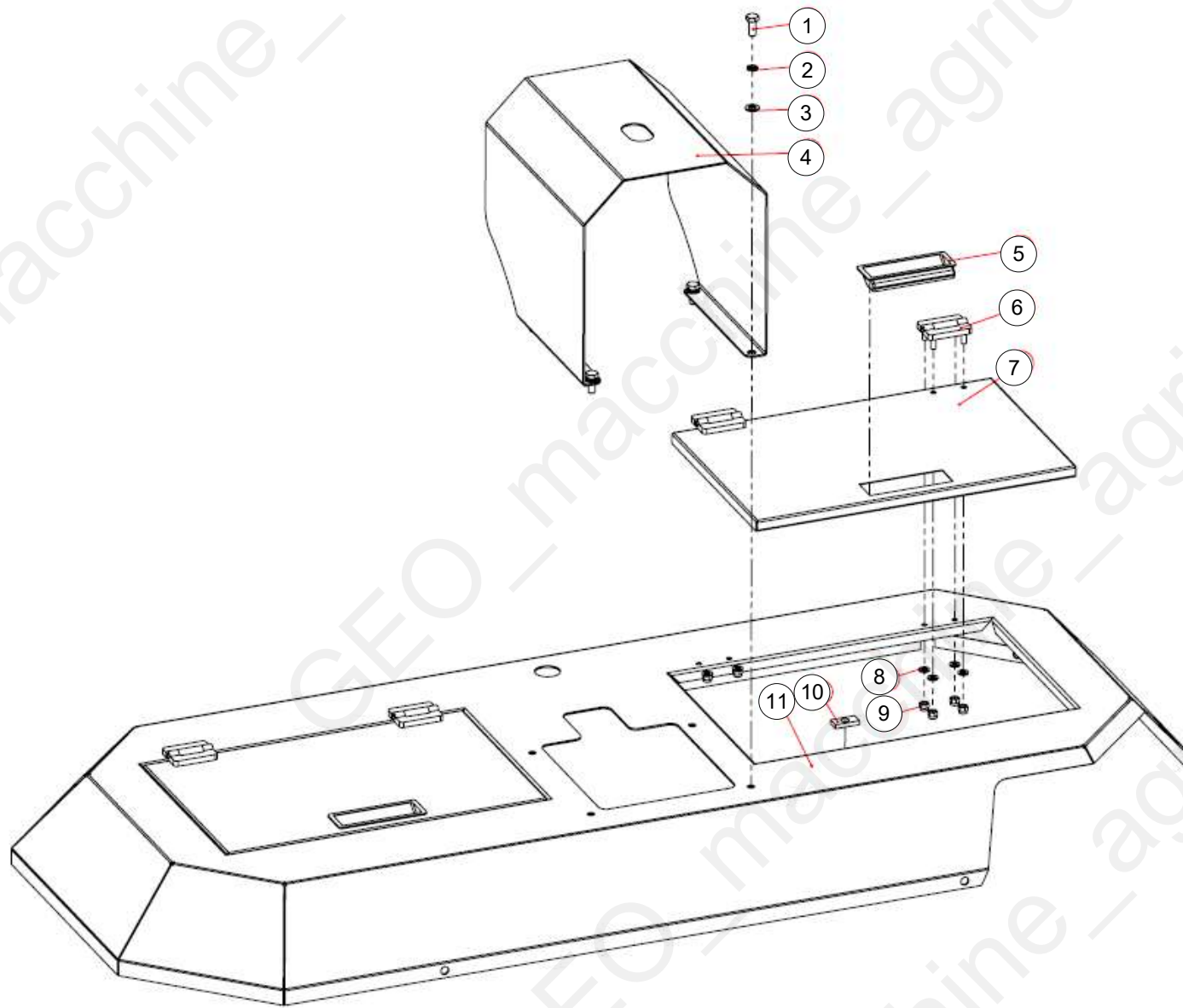
Assembly: GB-GBH\_parte 2



Pos	Code	Description	NOTE	Q.
50	G1/2X14-1900-1T08	Hydraulic Hose		1
51	BS/A21.50(G1/2)	Combined sealing gaskets(Automatic core)1/2		2
52	G1/2	Quick Change Connector(Male)		2
53	G1/2X14-1500-1T08	Hydraulic Hose		1
54	GB/T.5783-2000-M12x40	Bolt M12x40		1
55	G.FMH150.S-011A	Hood Weldment 150		1
55	G.FMH180.S-011	Hood weldment 180		1
56	G.FMH150.S-001-01-07A	Swing Arm Plate Assembly		1
57	GB.882-88	Pin Shaft Type B		1
58	3.5			1



Pos	Code	Description	NOTE	Q.
1	XH30.283Z.01L	FM-FMS-30HP JCTT Gearbox		1
2	GB/T.889.1-2000-14	Lock Nut M14		4
3	GB/T.95-2002-14	Flat Washer 14×2.5		4
4	GB/T1096-2003-A.10×40	Common Flat Key Type A 10×40		1
5	G.FMH150.S-101	Gearbox Mounting Bracket		1
6	GB/T.70.3-2000-M14×45	Hexagon head screw M14× 45		4
7	G.FMH150.S-115	Large pulley		1
8	GB/T.95-2002-24	Flat washer 24 × 4		1
9	GB/T.9459-1988	Hexagonal Open Slotted Thin Nut Fine ThreadM24×2		1
10	GB/T.96.2-2002-12×3	Large plain washer 12×3		4
11	GB/T.93-1987-12	Spring washer 12		4
12	GB/T.91-2000-5×40	Split Pin 5×40		1
13	GB/T.5783-2000-M12×40	Bolt M12×40		4

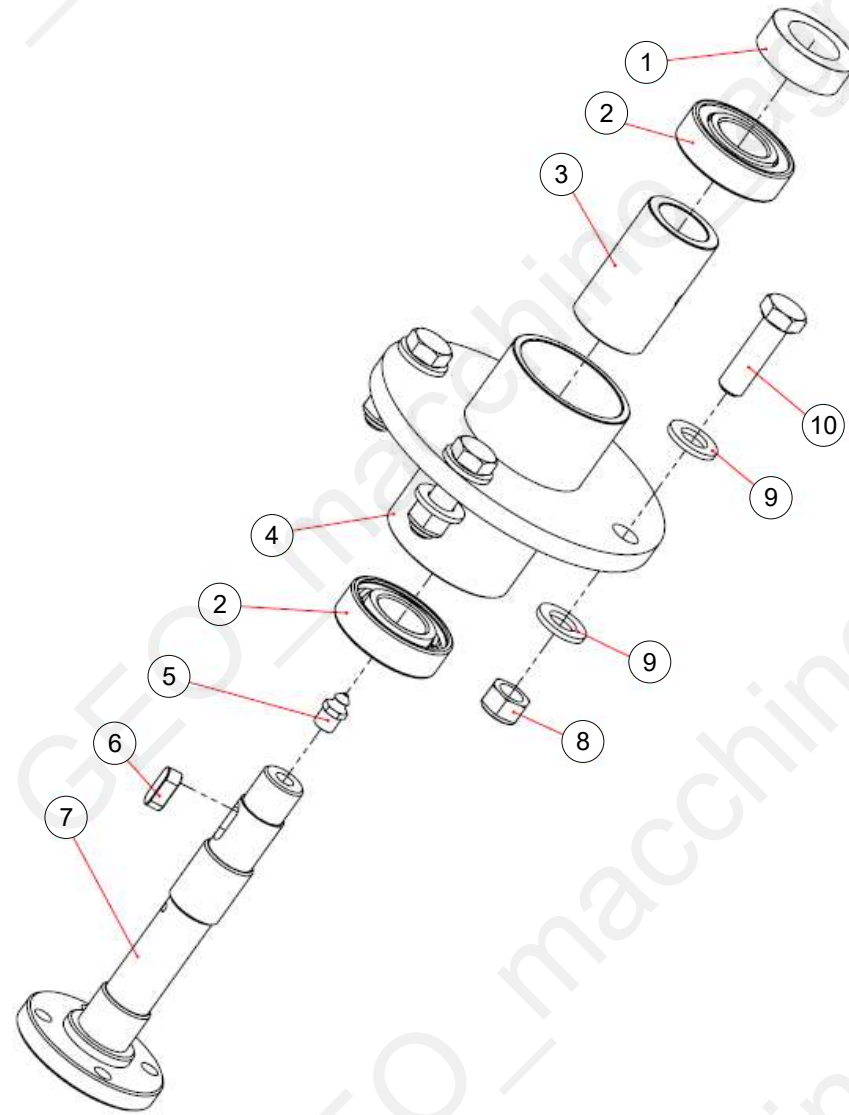


Machine: GB-GBH

Assembly: GB-GBH\_parte 4



Pos	Code	Description	NOTE	Q.
1	GB/T.5783-2000-M8×20	BoltM8×20		4
2	GB/T.93-1987-8	Spring washer 8		4
3	GB/T.95-2002-8	Flat washer 8 × 1.6		4
4	G.FMH150.S-105	PTO cover		1
5	102x34	Embedded handle		2
6	54x40xM6	Zinc alloy hinge		4
7	G.FMH150.S-104	Cover Panel		2
8	GB/T.95-2002-6	Flat washer 6 × 1.6		16
9	GB/T.889.1-2000-6	Lock Nut M6		16
10	30x15x5	Square spigot magnet		4
11	G.FMH150.S-020	Cover base weldment 150		1
11	G.FMH180.S-020	Cover base weldment 180		1

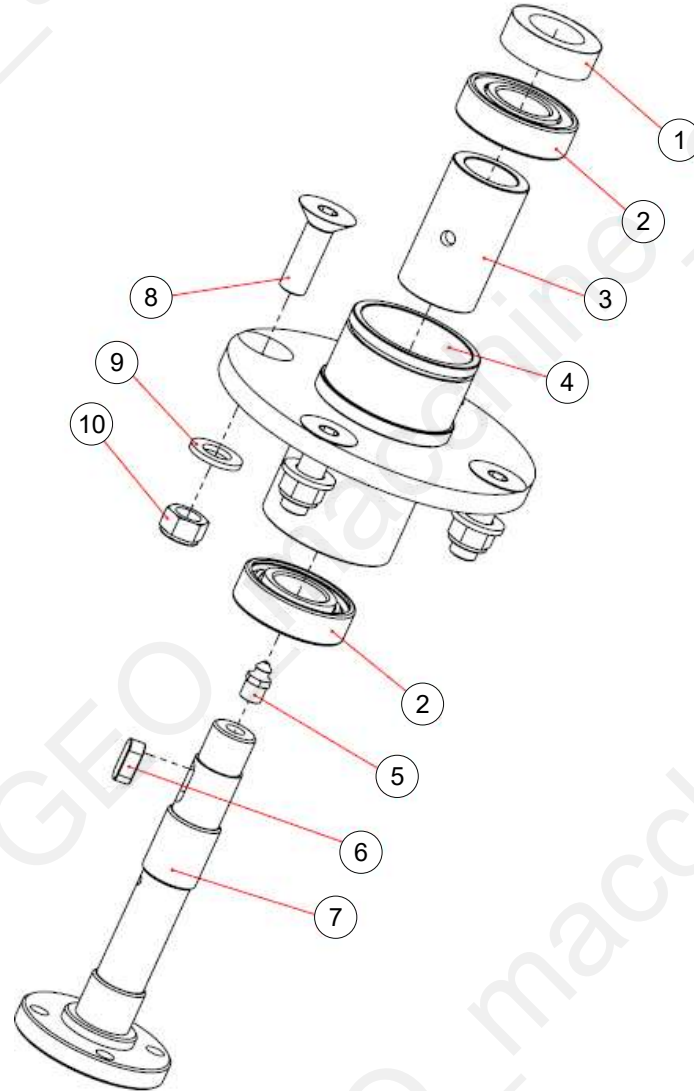


Machine: GB-GBH

Assembly: GB-GBH\_parte 5



Pos	Code	Description	NOTE	Q.
1	G.FMH150.S-117	Pully Sleeve		1
2	GB/T.276-94-6205-RZ	bearing 6205-RZ		2
3	G.FMH150.S-102	Spacer		1
4	G.FMH150.S-016	Bearing Seat Weldment		1
5	G-1/8	G 1/8 grease nipple		1
6	GB/T1096-2003-A.8×20	Common Flat Key Type A 8×20		1
7	G.FMH150.S-107	Blade Shaft		1
8	GB/T.889.1-2000-12	Lock Nut M12		4
9	GB/T.95-2002-12	Flat washer 12 × 2.5		8
10	GB/T.5783-2000-M12x40	Bolt M12x40		4

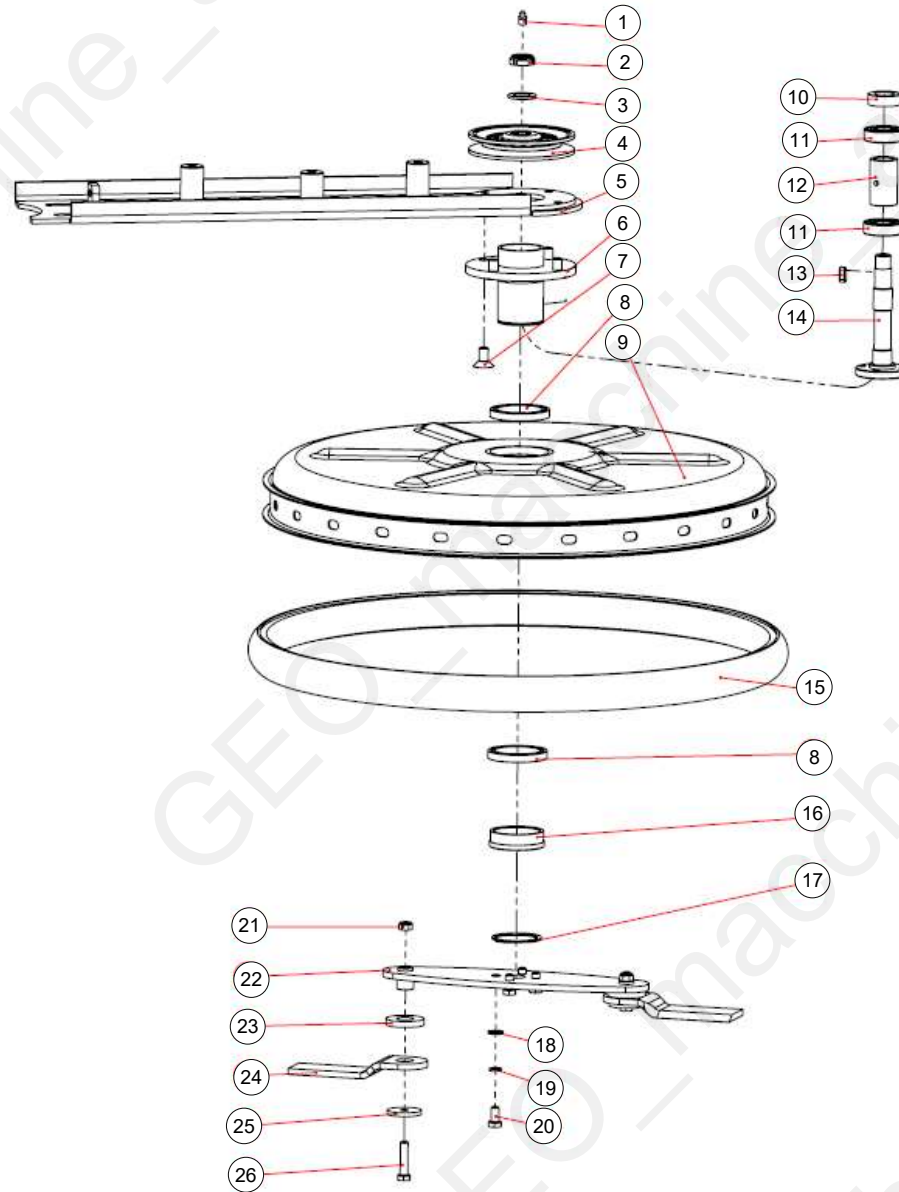


Machine: GB-GBH

Assembly: GB-GBH\_parte 6



Pos	Code	Description	NOTE	Q.
1	G.FMH150.S-117	Pully Sleeve		1
2	GB/T.276-94-6205-RZ	bearing 6205-RZ		2
3	G.FMH150.S-102	Spacer		1
4	G.FMH150.S-024	Joint bearing seat Weldment		1
5	G-1/8	G 1/8 grease nipple		1
6	GB/T1096-2003-A.8×20	Common Flat Key Type A 8×20		1
7	G.FMH150.S-107	Blade Shaft		1
8	GB/T.70.3-2000-M12x40	Hexagon head screw M12 ×40		4
9	GB/T.95-2002-12	Flat washer 12 × 2.5		4
10	GB/T.889.1-2000-12	Lock Nut M12		4



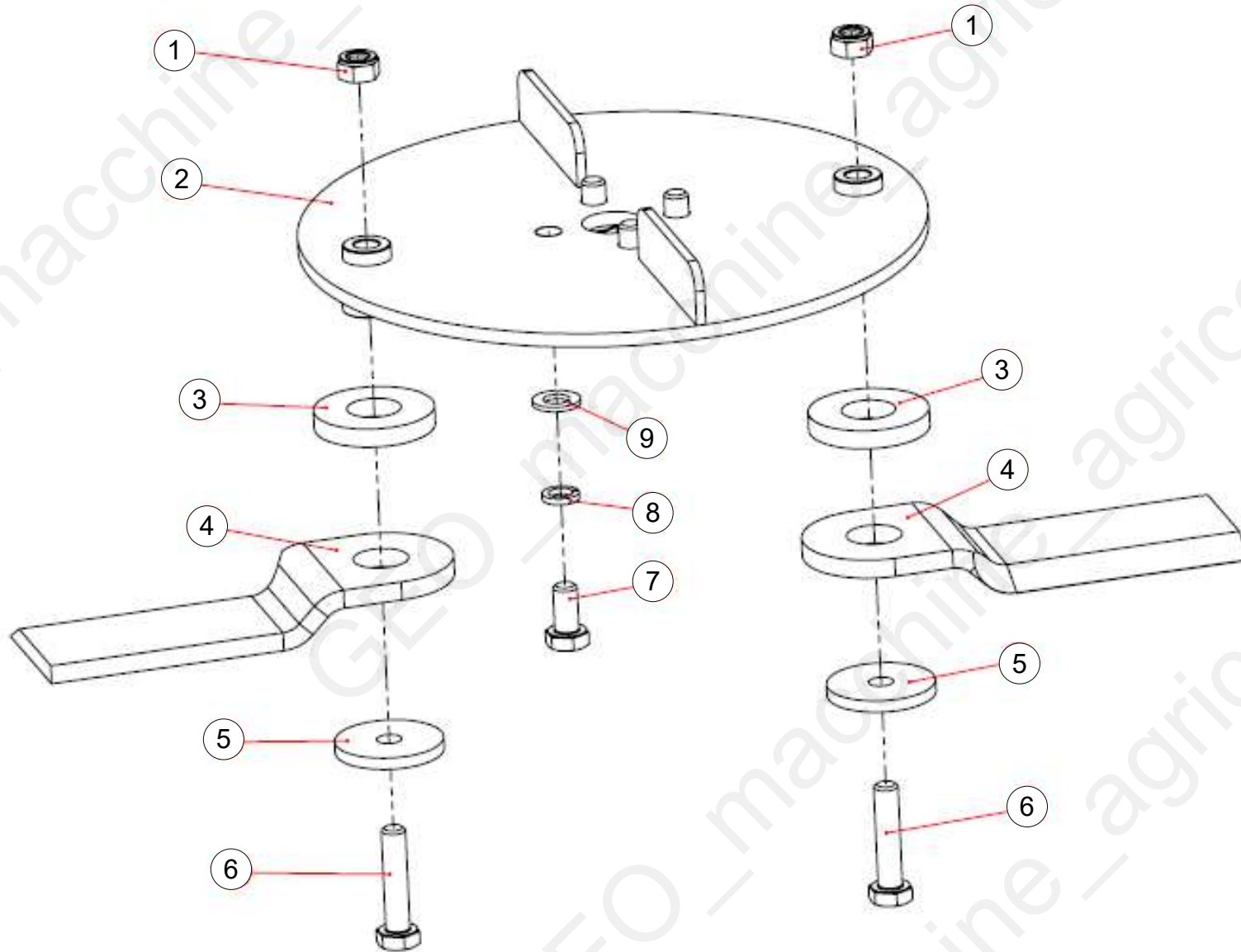
Pos	Code	Description	NOTE	Q.
1	G-1/8	G 1/8 grease nipple		1
2	OW-GUK28-White.zinc	Round Lock Nut M20×1.5		1
3	GB/T.95-2002-20	Flat washer 20 × 3		1
4	G.FMH150.S-109	Pulley		1
5	G.FMH150.S-022A	Swing Arm Plate Weldment		1
5	G.FMH180.S-022A	Swing Arm Plate Weldment		1
6	G.FMH150.S-019	Floating Bearing Seat Weldment		1
7	GB/T.70.3-2000-M12x25	Hexagon head screw M12×25		4
8	GB/T.276-94-61812-2RZ	bearings 61812-2RZ		2
9	G.FMH150.S-015A	Floating Disc Cover Welding		1
10	G.FMH150.S-117	Pully Sleeve		1
11	GB/T.276-94-6205-RZ	bearing 6205-RZ		2
12	G.FMH150.S-102	Spacer		1
13	GB/T1096-2003-A.8×20	Common Flat Key Type A 8×20		1
14	G.FMH150.S-107	Blade Shaft		1
15	UF650-101	Rubber Ring		1
16	G.FMH150.S-026-01	Fixed Sleeve		1
17	GB.894.1-86-60	Circlip A 60		1
18	GB/T.95-2002-10	Flat washer 10 × 2		4
19	GB/T.93-1987-10	Spring washer 10		4
20	GB/T.5783-2000-M10x20	Bolt M10 ×20		4
21	GB/T.889.1-2000-10	Lock Nut M10		2
22	G.FMH150.S-027	Floating Disc Weldment		1
23	G.FMH150.S-119	Blade Sleeve		2
24	G.FMH150.S-106	Blade		2

Machine: GB-GBH

Assembly: GB-GBH\_parte 7



Pos	Code	Description	NOTE	Q.
25	BCR1200-108	Fixed washer		2
26	GB/T.5783-2000-M10x45	Bolt M10x45		2



Machine: GB-GBH

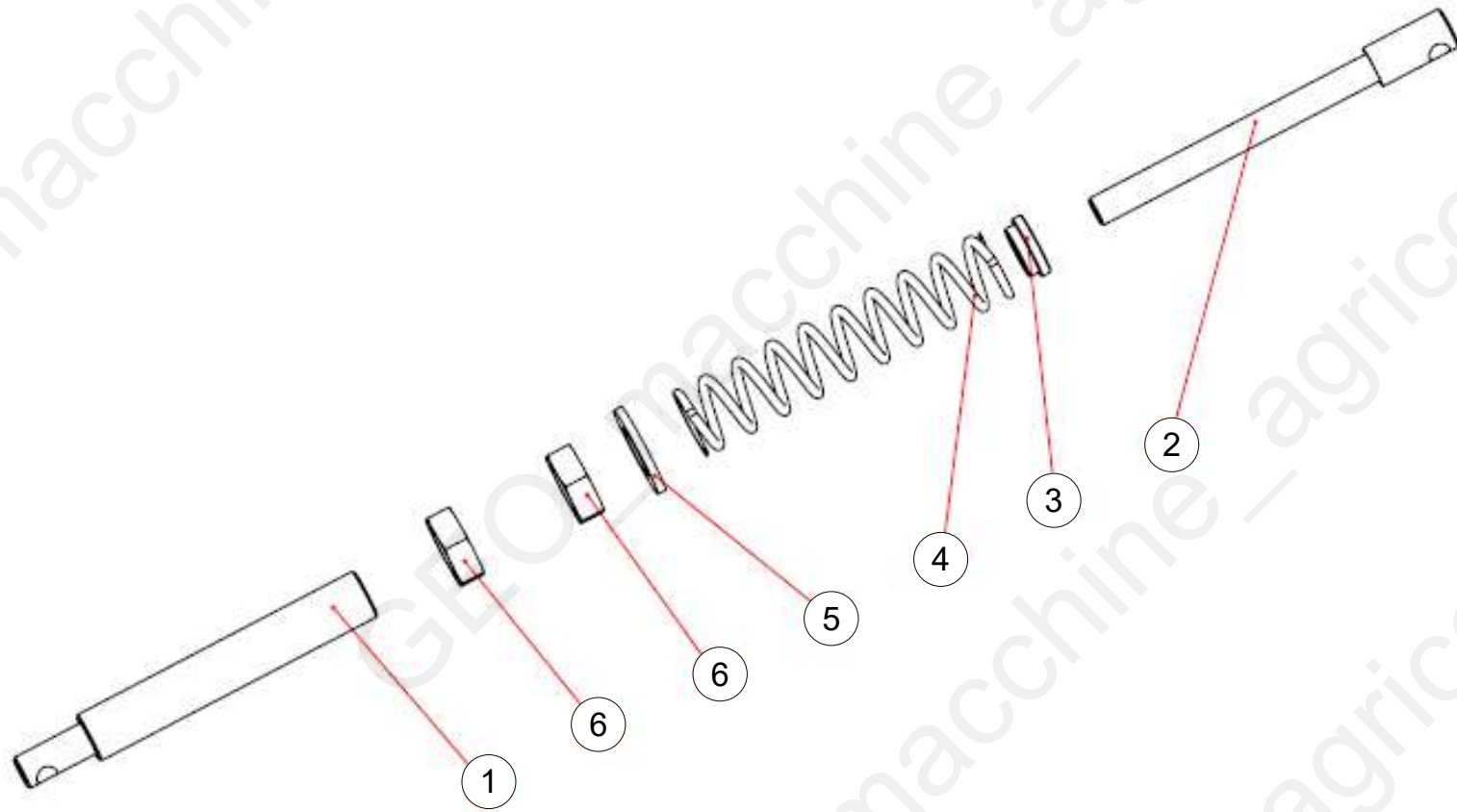
Assembly: GB-GBH\_parte 8



Pos	Code	Description	NOTE	Q.
1	GB/T.889.1-2000-10	Lock Nut M10		2
2	G.FMH150.S-018	Cutter weldment 150		1
2	G.FMH180.S-018	Cutter weldment 180		1
3	G.FMH150.S-119	Blade Sleeve		2
4	G.FMH150.S-106	Blade		2
5	BCRI200-108	Fixed washer		2
6	GB/T.5783-2000-M10x45	Bolt M10x45		2
7	GB/T.5783-2000-M10x20	Bolt M10 x20		4
8	GB/T.93-1987-10	Spring washer 10		4
9	GB/T.95-2002-10	Flat washer 10 x 2		4



Pos	Code	Description	NOTE	Q.
1	G-1/8	G 1/8 grease nipple		2
2	GB/T.70.3-2000-M8x20	Hexagon socket head screws M8 × 20		8
3	G.FMH150.S-103	Roller Junction Plate A		1
4	R.OS/M165-OS-113	Roller Bearing seat		2
5	GB/T.281-94-1305	Aligning ball bearing 1305		2
6	GB.893.1-86-62	Circlip A62		2
7	GB/T.13871.1-40X62X8	TC oil seal 40X62X8		2
8	GB/T.5783-2000-M10x20	Bolt M10 ×20		2
9	GB/T.93-1987-10	Spring washer 10		2
10	GB/T.95-2002-10	Flat washer 10 × 2		2
11	G.FMH150.S-122	Mud Scraper Plate 150		1
11	G.FMH180.S-122	Mud Scraper Plate 180		1
12	G.FMH150.S-021	Roller weldment 150		1
12	G.FMH180.S-021	Roller weldment 180		1
13	G.FMH150.S-123	Roller connecting plate L		1
14	GB/T.889.1-2000-12	Lock Nut M12		4
15	GB/T.95-2002-12	Flat washer 12 × 2.5		8
16	GB/T.5783-2000-M12x35	Bolt M12x35		4

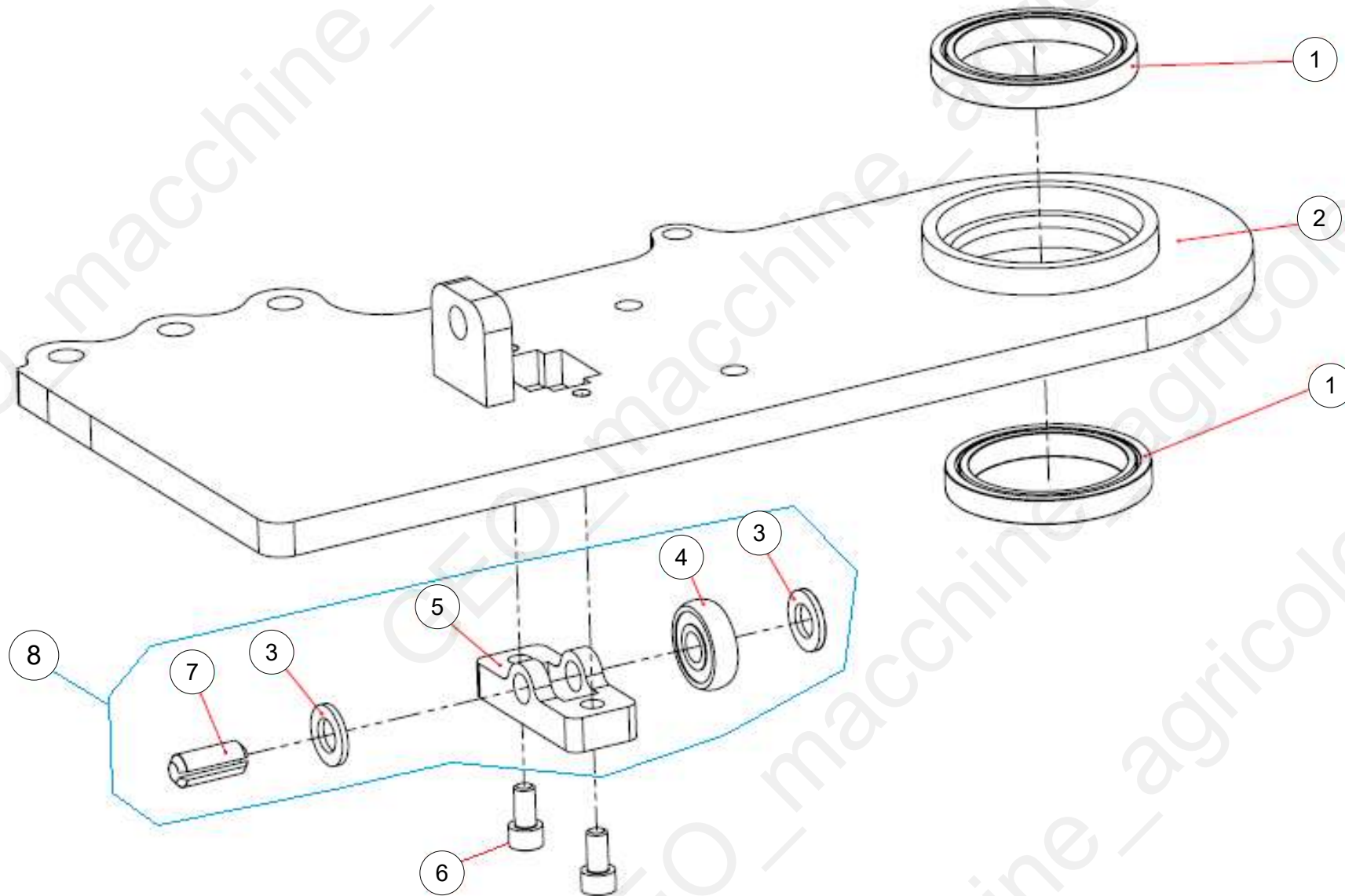


Machine: GB-GBH

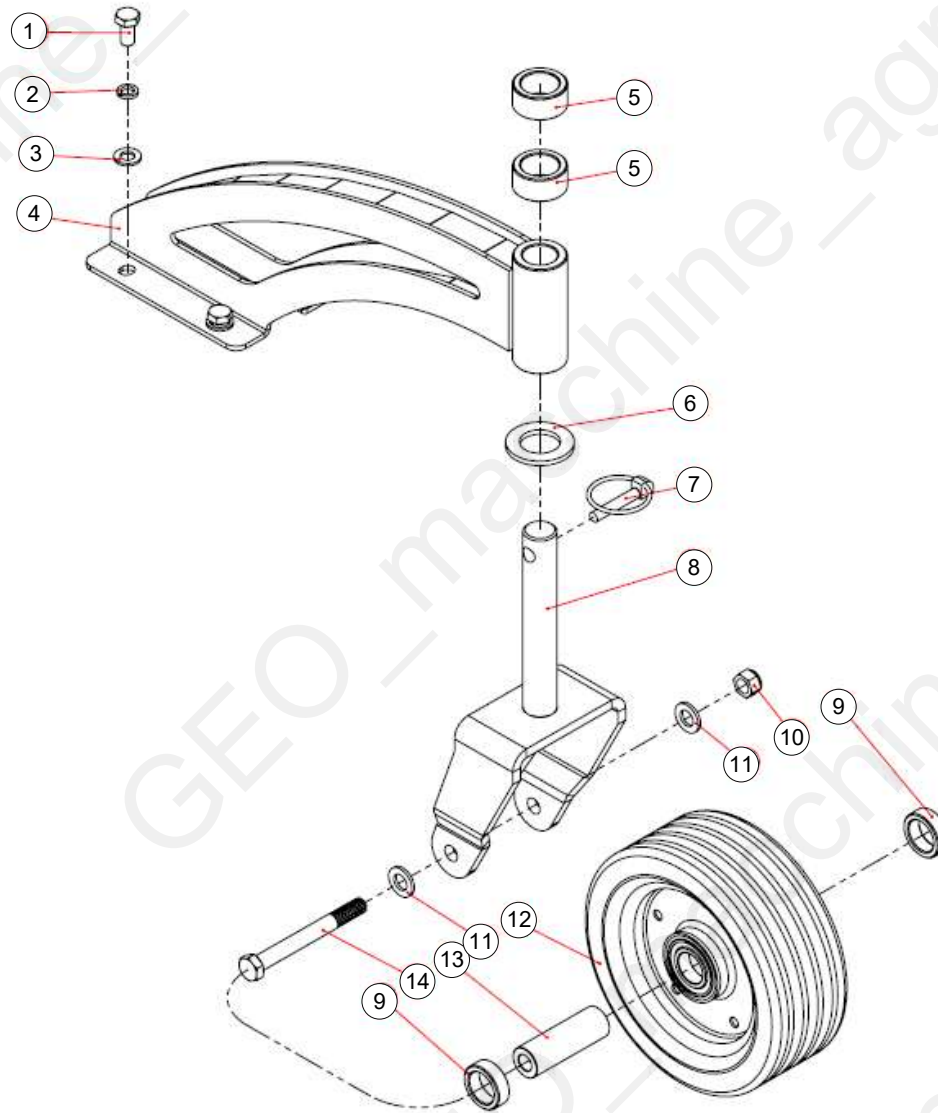
Assembly: GB-GBH\_parte 10



Pos	Code	Description	NOTE	Q.
1	G.FMH150.S-124	Sliding Sleeve		1
2	G.FMH150.S-125-2	Spring shaft		1
3	G.FMH150.S-125	Gasket		1
4	G.FM150.S-126	Pressure Spring		1
5	GB/T.95-2002-24	Flat washer 24 × 4		1
6	GB/T.6172.1-2000-24	Hexagon Thin Nut M24		2



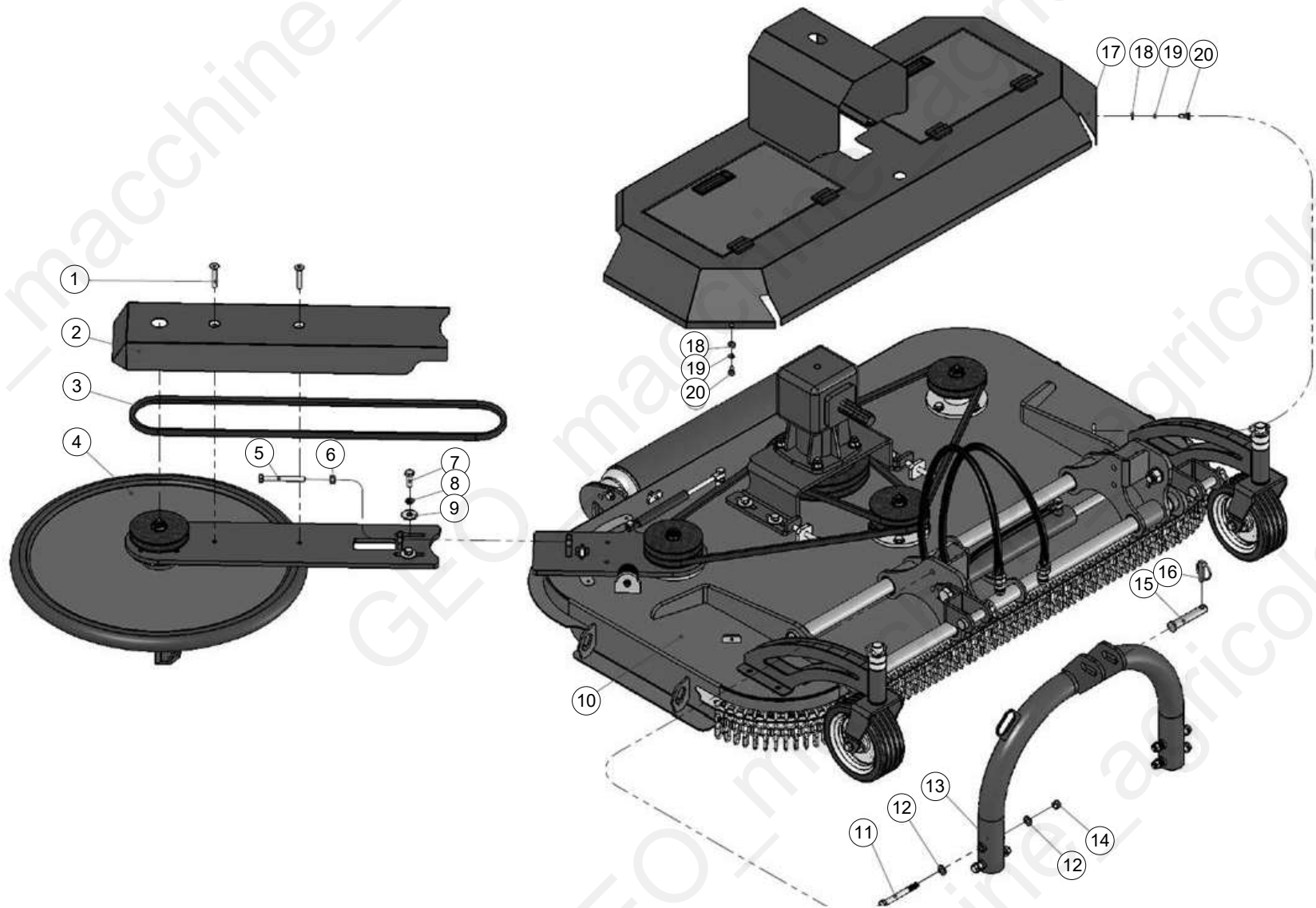
Pos	Code	Description	NOTE	Q.
1	GB/T.276-94-61812-2RZ	bearings 61812-2RZ		2
2	G.FMH150.S-014A	Swing Arm Bearing Seat Weldment		1
3	GB/T.95-2002-12	Flat washer 12 × 2.5		2
4	SC201-2RS	Spherical Bearings SC6201-2RS		1
5	G.FMH150.S-116	Bearing Bracket		1
6	GB/T.70.1-2000-M8x16	Hexagonal countersunk head screw M8×16		2
7	GB/T.879.1-2000-12x30	Spring Pin 12×30		1
8	GB.11.08	Kit Floating Bearing		1



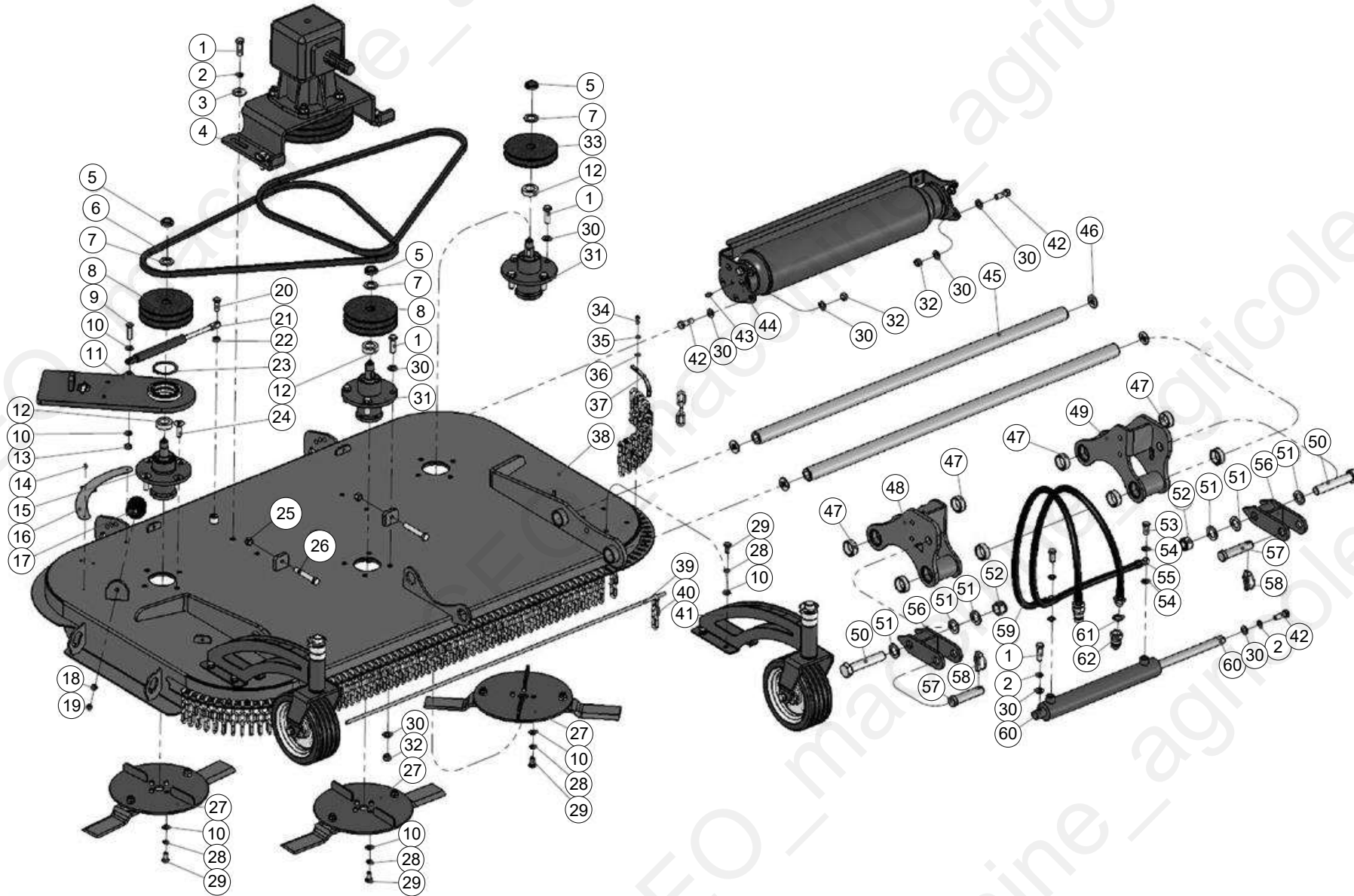
Pos	Code	Description	NOTE	Q.
1	GB/T.5783-2000-M10x20	Bolt M10 ×20		4
2	GB/T.93-1987-10	Spring washer 10		4
3	GB/T.95-2002-10	Flat washer 10 × 2		4
4	G.FMH150.S-25	Universal Wheel Fork Supporting Weldment		1
5	G.FMH150.S-121	Spacer		2
6	GB/T.95-2002-27	Flat Washer 27×4		1
7	8			1
8	FCH120-015	Wheel Fork Weldment		1
9	FM180.129	Nylon Spacer Sleeve		2
10	GB/T.889.1-2000-12	Lock Nut M12		1
11	GB/T.95-2002-12	Flat washer 12 × 2.5		2
12	FM180.125	8 × 3 solid rubber wheels (including bearings 6005ZZ)		1
13	FM180-128	Axle		1
14	GB/T.5782-M12×110	Bolt M12×110		1

## GB 2016 2018





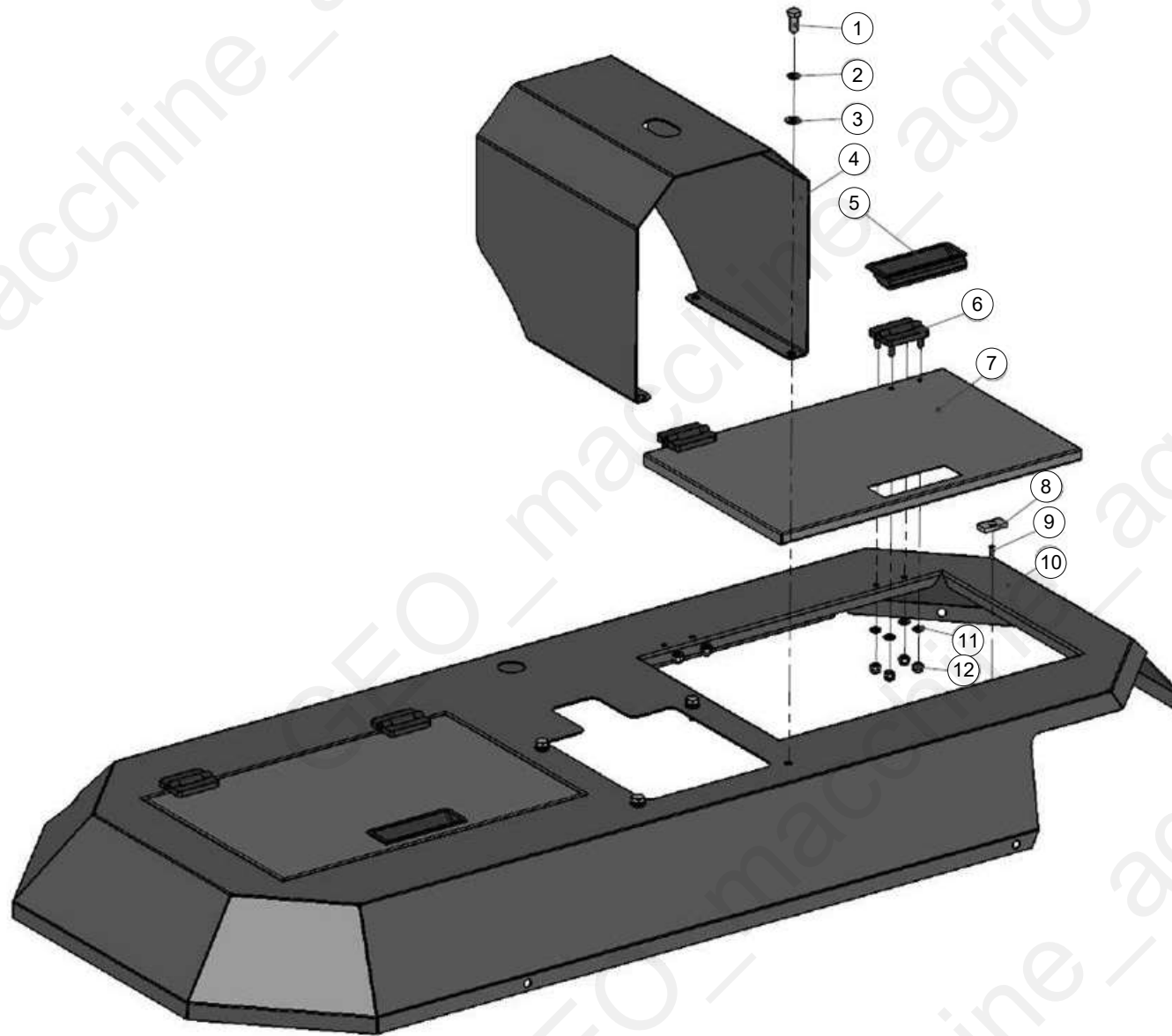
Pos	Code	Description	NOTE	Q.
1	GB/T.70.3-2000-M10x60	Hexagon head screw M10 ×60		2
2	G.FMH150.S-023	Pulley cover weldment 150		1
2	G.FMH180.S-023	Pulley cover weldment 180		1
3	SPB-1900	belt GB150 -XPB 1900		1
3	SPB-2000	belt GB180 -XPB 2000		1
4	G.FMH150.S-001-03	Floating cutter assembly GB 150		1
4	G.FMH180.S-001-03	Floating cutter assembly GB 180		1
5	GB/T.5783-M12x100	Bolt M12×100		1
6	GB/T.41-2000-12	Nut M12		1
7	GB/T.5783-2000-M12x35	Bolt M12x35		2
8	GB/T.93-1987-12	Spring washer 12		2
9	GB/T.96.2-2002-12×3	Large plain washer 12×3		2
11	GB/T.5782-M12×110	Bolt M12×110		4
12	GB/T.95-2002-12	Flat washer 12 × 2.5		8
13	G.US145H-015	3 point hitch weldment		1
14	GB/T.889.1-2000-12	Lock Nut M12		4
15	EF175.119	Hanging pin		1
16	diam11*45	Latch - zinc color		1
18	GB/T.95-2002-8	Flat washer 8 × 1.6		4
19	GB/T.93-1987-8	Spring washer 8		4
20	GB/T.5783-2000-M8×20	BoltM8×20		4



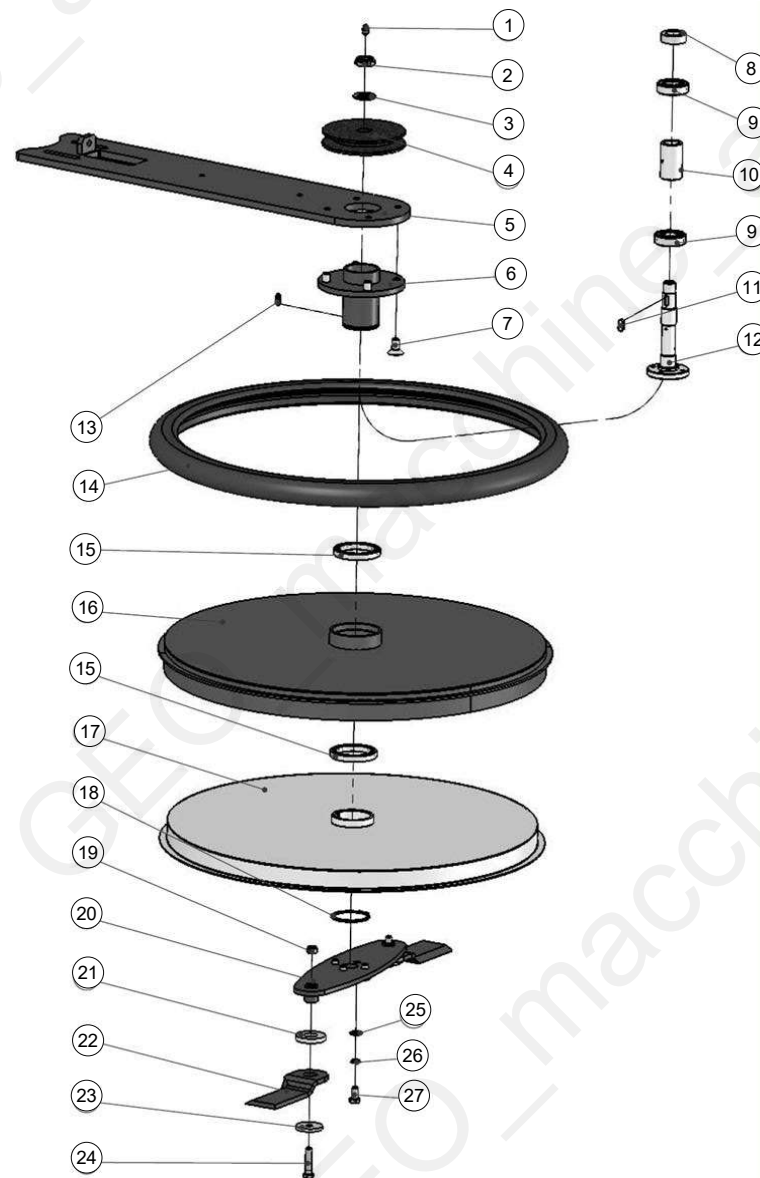
Pos	Code	Description	NOTE	Q.
1	GB/T.5783-2000-M12x40	Bolt M12x40		13
2	GB/T.93-1987-12	Spring washer 12		6
3	GB/T.96.2-2002-12x3	Large plain washer 12x3		4
5	OW-GUK28	Circular locking nut M20 x1.5		3
6	SPB-1800	belt GB150 -XPB 1800		2
6	SPB-1965	belt GB180 -XPB 1965		2
7	GB/T.95-2002-20	Flat washer 20 x 3		3
8	G.FMH150.S-114	Pulley II		2
9	GB/T.5783-2000-M10x40	Bolt M10x40		1
10	GB/T.95-2002-10	Flat washer 10 x 2		22
11	G.FM150H.S-001-01-07	Arm board assembly		1
12	G.FMH150.S-118	Pulley spacer		3
13	GB/T.889.1-2000-10	Lock Nut M10		1
14	GB.12618-90	Oval head open type blind rivet		4
15	G.FM150H.S-001-01-05	Joint bearing assembly		1
16	G.FMH150.S-120	Raceway board		1
17	BH7.121	Buffer block		1
18	GB/T.95-2002-8	Flat washer 8 x 1.6		1
19	GB/T.889.1-2000-8	Lock Nut M8		1
20	GB/T.5783-2000-M10x30	Bolt M10x30		1
21	QD22-325X110X250N-DB	Gas Spring		1
22	GB/T.41-2000-10	Hexagonal nut M10		1
23	GB.894.1-86-60	Circlip A 60		1
24	GB/T.70.3-2000-M12x40	Hexagon head screw M12 x40		4
25	GB/T.41-2000-12	Nut M12		2

Pos	Code	Description	NOTE	Q.
26	GB/T.5783-2000-M12x80	Bolt M12×80		2
27	G.FMH150.S-001-01-02	Blade Flywheel Assembly		3
27	G.FMH180.S-001-01-02	Blade Flywheel Assembly		1
28	GB/T.93-1987-10	Spring washer 10		20
29	GB/T.5783-2000-M10x20	Bolt M10 ×20		20
30	GB/T.95-2002-12	Flat washer 12 × 2.5		30
31	G.FM150H.S-001-01-03	Bearing assembly		2
32	GB/T.889.1-2000-12	Lock Nut M12		16
33	G.FMH150.S-109	Pulley		1
34	GB/T.70.1-2000-M5x16	Hexagonal countersunk head screw M5×16		8
35	GB/T.93-1987-5	Spring washer 5		8
36	GB/T.95-2002-5	Flat washer 5 × 1		8
37	G.FMH150.S-108	Chain Fixed Plate		4
38	G.FMH150.S-011	Hood weldment 150		1
38	G.FMH180.S-011	Hood weldment 180		1
39	G.FMH150.S-111	Chain pin 150		1
39	G.FMH180.S-111	Chain pin 180		1
40	G.FMH150.S-113-1	Galvanized chain 6 ×20 × 28 (3) 180		90
40	G.FMH150.S-113-2	Galvanized chain 6 ×20 ×28 (3) 150		78
42	GB/T.5783-2000-M12x35	Bolt M12x35		5
43	G-1/8	G 1/8 grease nipple		2
45	G.US145H-102	Guide		2
46	G.US145H-101	Slider end cover		4
47	36x3x15	POM Guide Ring 36x3x15		8
48	G.FMH150.S-012	Guide rail bracket weldment-L		1

Pos	Code	Description	NOTE	Q.
49	G.FMH150.S-013	Guide rail bracket weldment-R		1
50	GB/T.5782-2000-M12×55	Bolt M22 × 55		2
51	GB/T.95-2002-22	Flat washer 22 × 3		6
52	GB/T.889.1-2000-22	Lock Nut M22		2
53	G-1/4	G 1/4 grease nipple		2
54	BS/A13.70(G1/4)	Combined sealing gaskets(Automatic core)1/4		4
55	G.US145H-107	Hose 1900		1
56	G.FMH150.S-017	Floating Plate Weldment		2
57	G.FMH150.S-110	Lower suspension pin		2
58	diam11*45	Latch - zinc color		2
59	G.US145H-108	Hose 1500		1
60	G.US145H-103	Cylinder assembly		1
61	BS/A21.50(G1/2)	Combined sealing gaskets(Automatic core)1/2		2
62	G1/2	Quick couplers (male) NPT1 / 2		2



Pos	Code	Description	NOTE	Q.
1	GB/T.5783-2000-M8×20	BoltM8×20		4
2	GB/T.93-1987-8	Spring washer 8		4
3	GB/T.95-2002-8	Flat washer 8 × 1.6		4
4	G.FMH150.S-105	PTO cover		1
5	102x34	Embedded handle		2
6	54x40xM6	Zinc alloy hinge		4
7	G.FMH150.S-104	Cover Panel		2
8	30x15x5	Square spigot magnet		4
9	GB12618-90	Core pulling aluminum rivets 3x10		4
10	G.FMH150.S-020	Cover base weldment 150		1
10	G.FMH180.S-020	Cover base weldment 180		1
11	GB/T.95-2002-6	Flat washer 6 × 1.6		16
12	GB/T.889.1-2000-6	Lock Nut M6		16



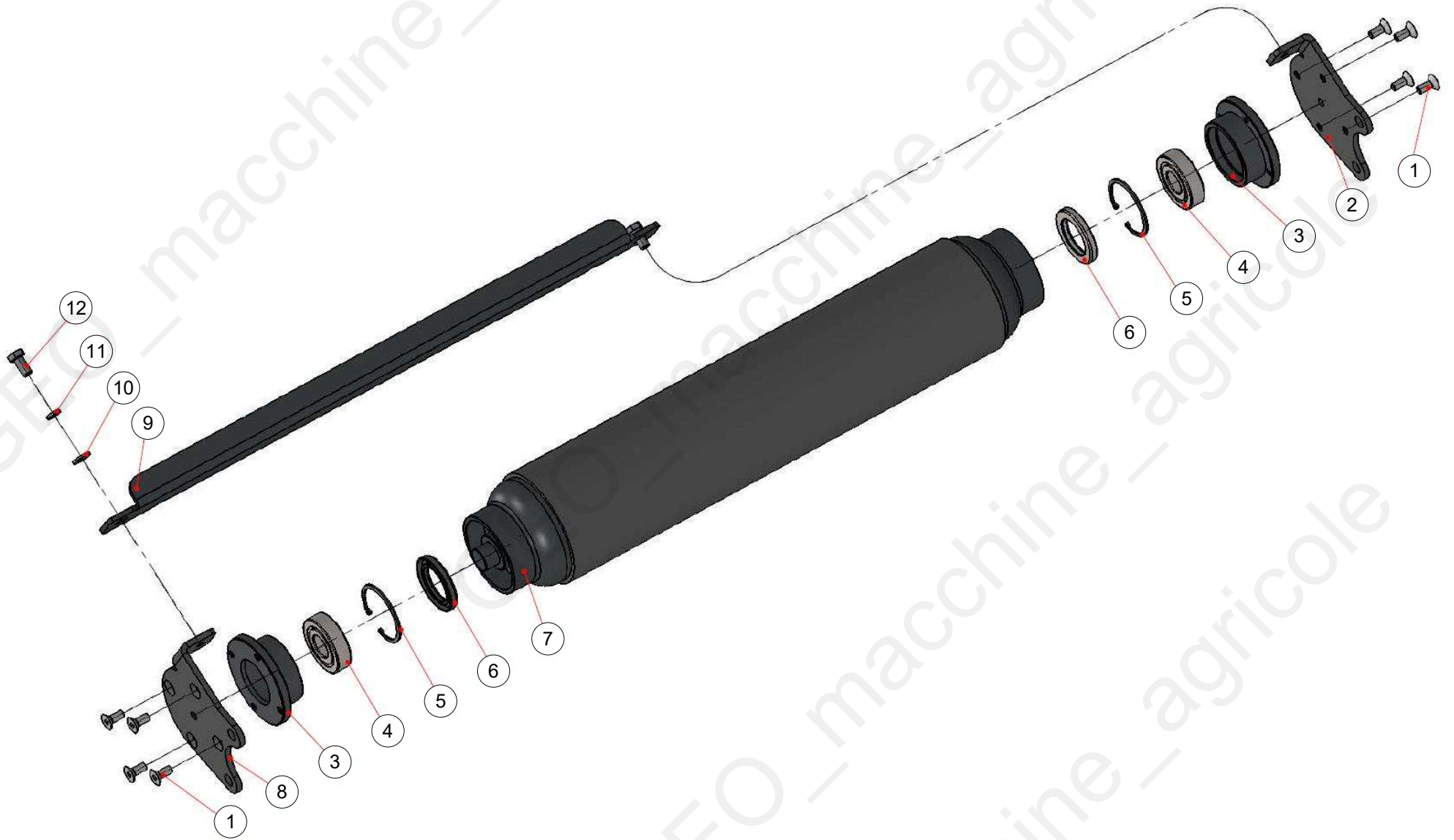
Pos	Code	Description	NOTE	Q.
1	G-1/8	G 1/8 grease nipple		1
2	OW-GUK28	Circular locking nut M20 × 1.5		1
3	GB/T.95-2002-20	Flat washer 20 × 3		1
4	G.FMH150.S-109	Pulley		1
5	G.FMH150.S-022	Arm board weldment 150		1
5	G.FMH180.S-022	Arm board weldment 180		1
6	G.FMH150.S-019	Floating Bearing Seat Weldment		1
7	GB/T.70.3-2000-M12x25	Hexagon head screw M12×25		4
8	G.FMH150.S-118	Pulley spacer		1
9	GB/T.276-94-6205-RZ	bearing 6205-RZ		2
10	G.FMH150.S-102	Spacer		1
11	GB/T.1096-1979-8x20	Flat key AX type 8 × 20		1
12	G.FMH150.S-107	Blade Shaft		1
13	GB/T.1567-1979	Thin flat key type A 6 × 4 × 20		1
14	G.FMH150.S-112	Rubber strips		1
15	GB/T.276-94-61812-2RZ	bearings 61812-2RZ		2
16	G.FMH150.S-015	Floating cutter cover weldment		1
17	G.FMH150.S-028	Floating cutter holder weldment		1
18	GB.894.1-86-60	Circlip A 60		1
19	GB/T.889.1-2000-10	Lock Nut M10		2
20	G.FMH150.S-029	Floating cutter weldment		1
21	G.FMH150.S-119	Blade Sleeve		2
22	G.FMH150.S-106	Blade		2
23	BCRI200.108	Fixed washer		2
24	GB/T.5783-2000-M10x45	Bolt M10×45		2

Machine: GB 2016 2018

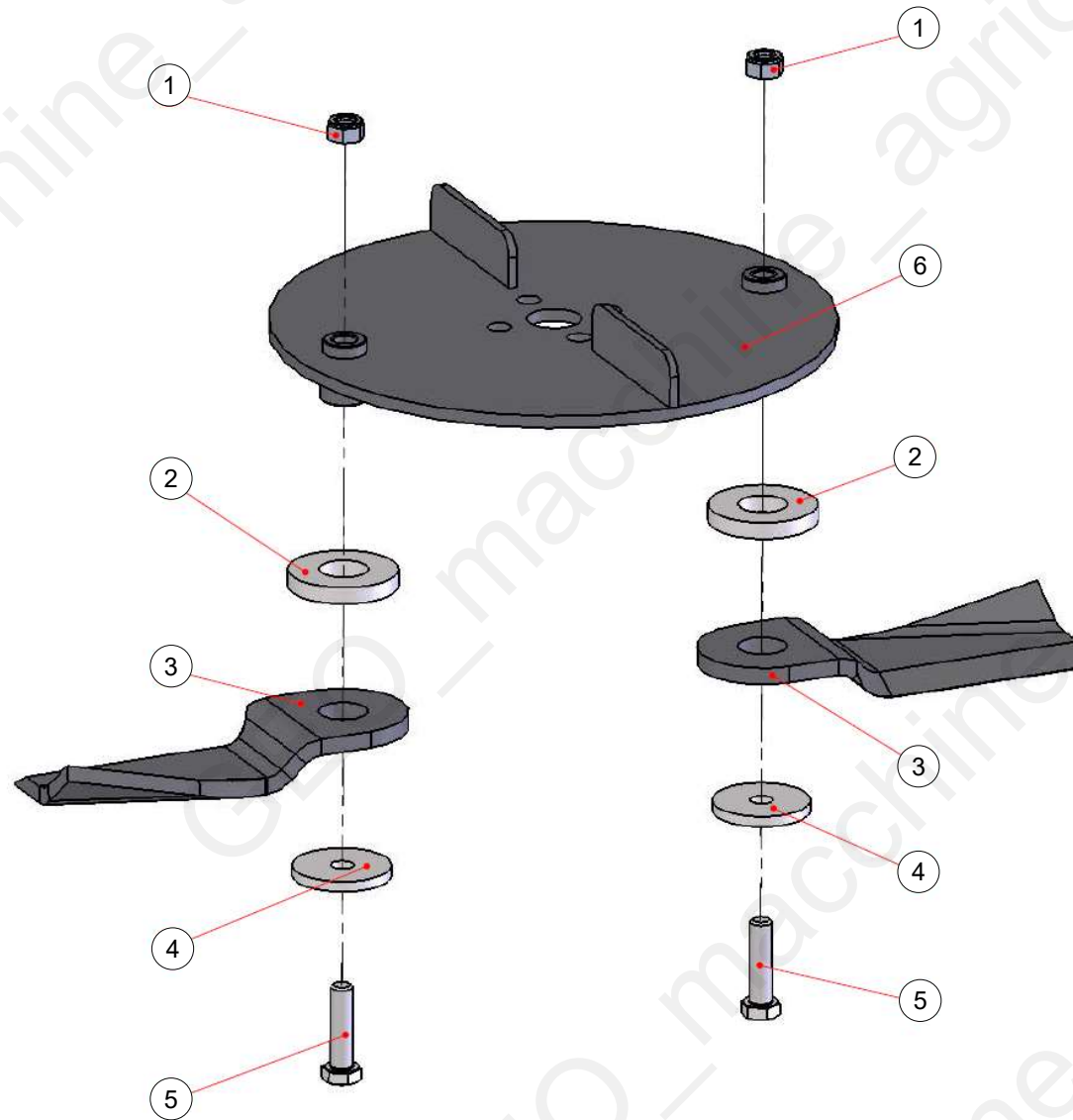
Assembly: GB\_old\_parte 4



Pos	Code	Description	NOTE	Q.
25	GB/T.95-2002-10	Flat washer 10 × 2		4
26	GB/T.93-1987-10	Spring washer 10		4
27	GB/T.5783-2000-M10x20	Bolt M10 ×20		4



Pos	Code	Description	NOTE	Q.
1	GB/T.70.3-2000-M8x20	Hexagon socket head screws M8 × 20		8
2	G.FMH150.S-103	Roller Junction Plate A		1
3	R.OS/M165-OS-113	Roller Bearing seat		2
4	GB/T.281-94-1305	Aligning ball bearing 1305		2
5	GB.893.1-86-62	Circlip A62		2
6	TC40*62*8	Seal		2
7	G.FMH150.S-021	Roller weldment 150		1
7	G.FMH180.S-021	Roller weldment 180		1
8	G.FMH150.S-123	Roller connecting plate L		1
9	G.FMH150.S-122	Mud Scraper Plate 150		1
10	GB/T.95-2002-10	Flat washer 10 × 2		2
11	GB/T.93-1987-10	Spring washer 10		2
12	GB/T.5783-2000-M10x20	Bolt M10 ×20		2

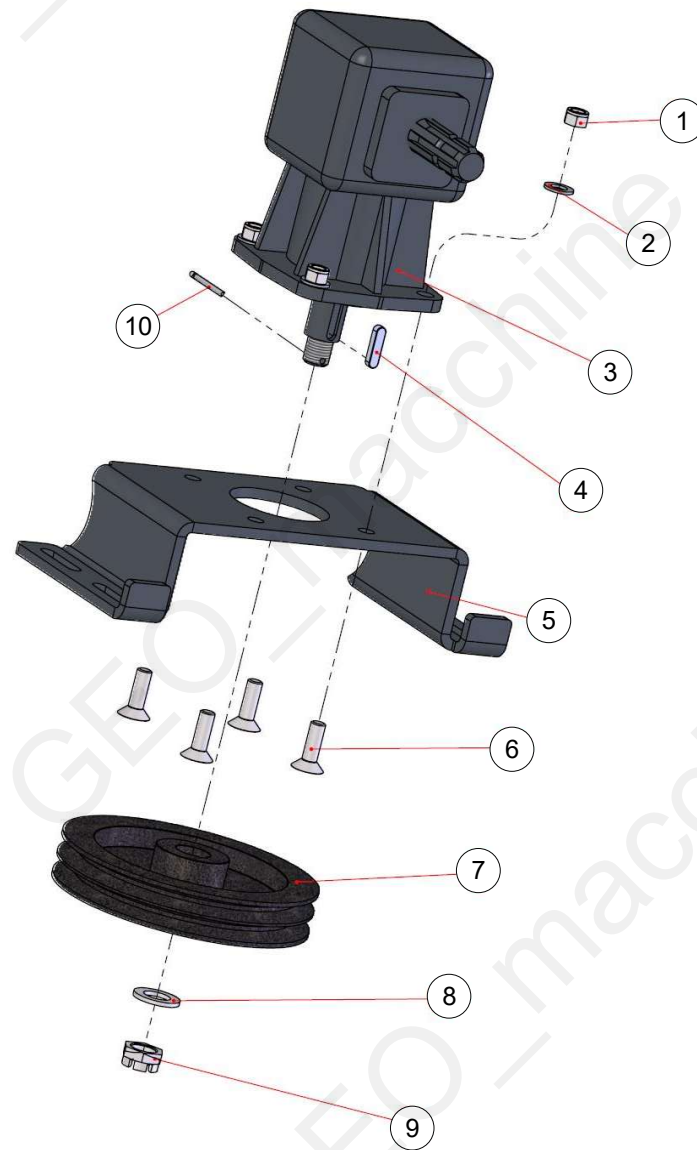


Machine: GB 2016 2018

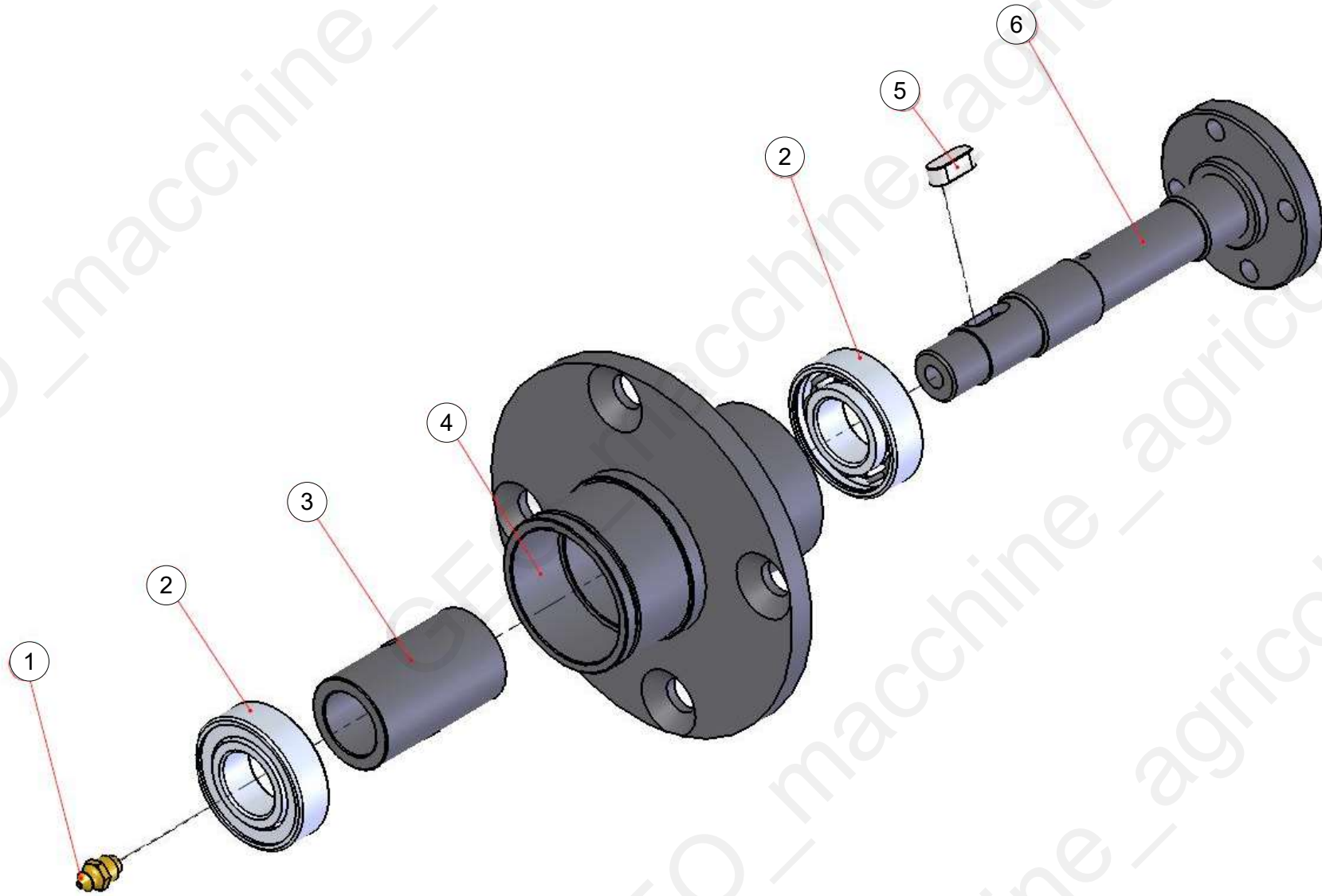
Assembly: GB\_old\_parte 6



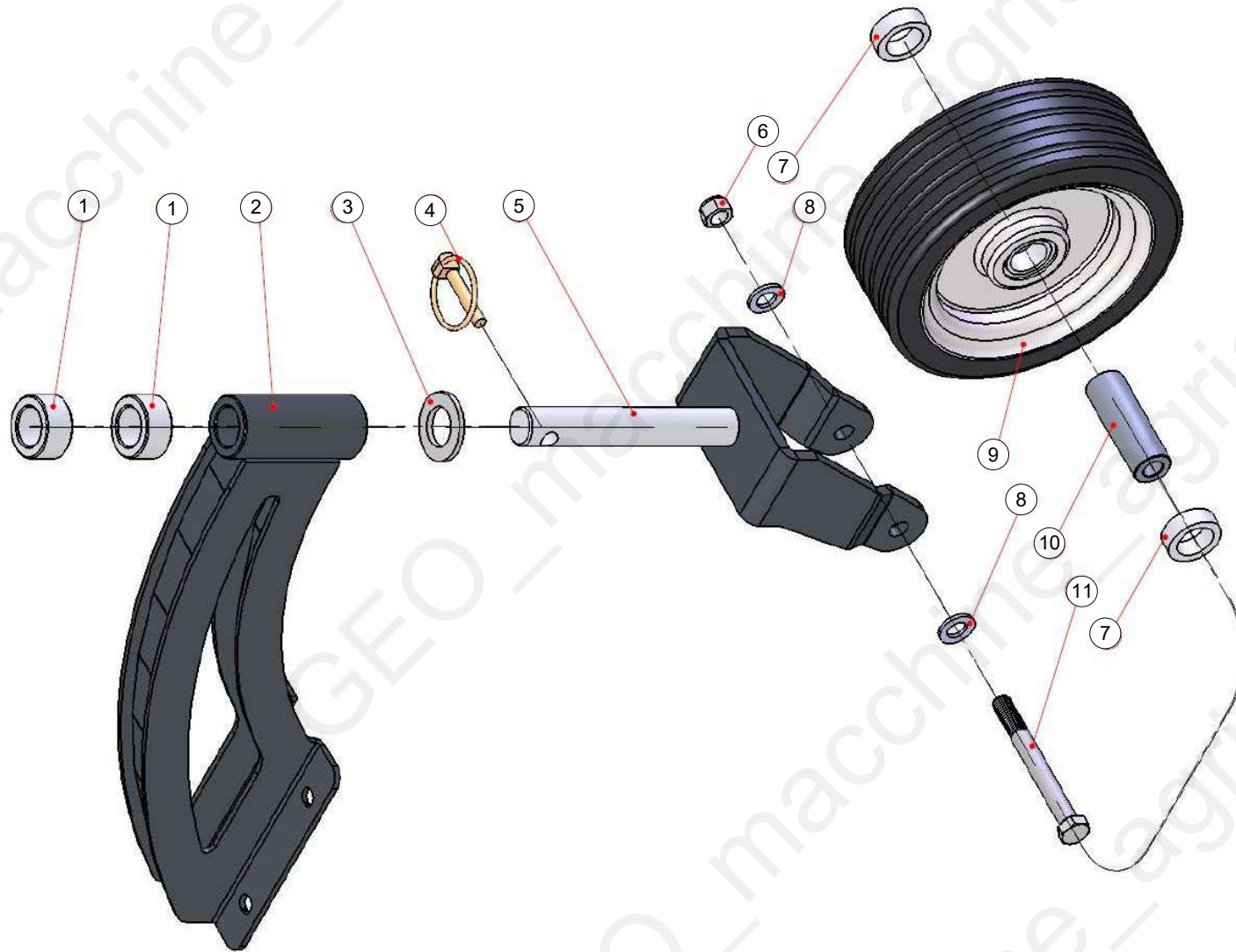
Pos	Code	Description	NOTE	Q.
1	GB/T.889.1-2000-10	Lock Nut M10		2
2	G.FMH150.S-119	Blade Sleeve		2
3	G.FMH150.S-106	Blade		2
4	BCRI200.108	Fixed washer		2
5	GB/T.5783-2000-M10x45	Bolt M10x45		2
6	G.FMH150.S-018	Cutter weldment 150		1
6	G.FMH180.S-018	Cutter weldment 180		1



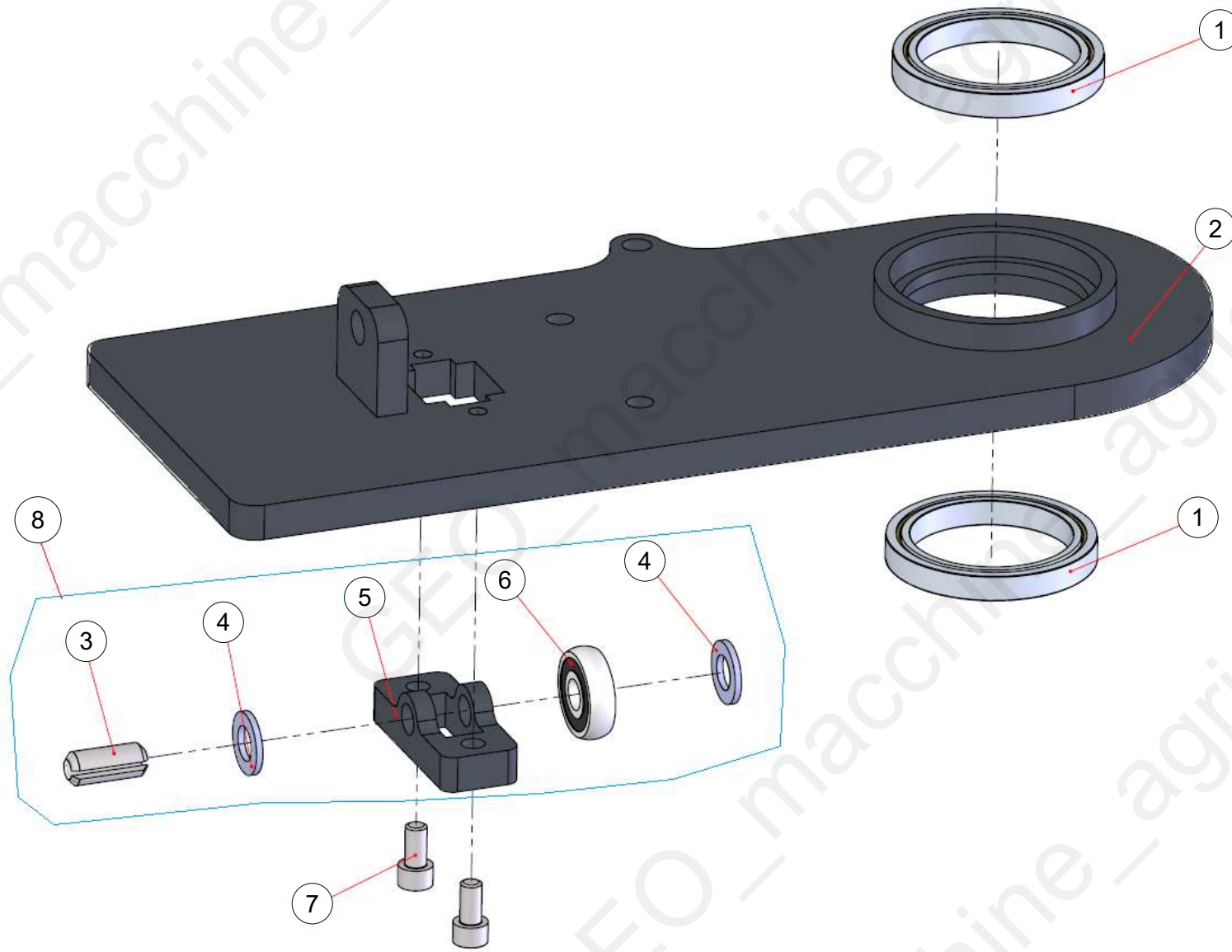
Pos	Code	Description	NOTE	Q.
1	GB/T.889.1-2000-14	Lock Nut M14		4
2	GB/T.95-2002-14	Flat Washer 14×2.5		4
3	XH30.283Z.01L	FM-FMS-30HP JCTT Gearbox		1
4	GB/T1096.1979-10×40	Flat key 10×40		1
5	G.FMH150.S-101	Gearbox Mounting Bracket		1
6	GB/T.70.3-2000-M14×45	Hexagon head screw M14× 45		4
7	G.FMH150.S-115	Large pulley		1
8	GB/T.95-2002-24	Flat washer 24 × 4		1
9	GB.T9459.1988	Hexagon slotted nuts M24x2		1
10	GB91.86	Cotter pin 5x40		1



Pos	Code	Description	NOTE	Q.
1	G-1/8	G 1/8 grease nipple		1
2	GB/T.276-94-6205-RZ	bearing 6205-RZ		2
3	G.FMH150.S-102	Spacer		1
4	G.FMH150.S-024	Joint bearing seat Weldment		1
5	GB/T.1096-1979-8x20	Flat key AX type 8 × 20		1
6	G.FMH150.S-107	Blade Shaft		1



Pos	Code	Description	NOTE	Q.
1	G.FMH150.S-121	Spacer		2
2	G.FMH150.S-027	Floating Disc Weldment		1
3	GB/T.95-2002-24	Flat washer 24 × 4		1
4	diam8	Latch - zinc color		1
5	FCH120.015	DECK 120		1
6	GB/T889.1-2000-M12	Locknut M12		1
7	FM180.129	Nylon Spacer Sleeve		2
8	GB/T.95-2002-12	Flat washer 12 × 2.5		2
9	FM180.125	8 × 3 solid rubber wheels (including bearings 6005ZZ)		1
10	FM180.128	Wheel axle		1
11	GB/T5782-2000-M12x110	Bolt M12 ×110		1



Pos	Code	Description	NOTE	Q.
1	GB/T.276-94-61812-2RZ	bearings 61812-2RZ		2
2	G.FMH150.S-014	Arm bearing seat weldment		1
3	GB/T.879.1-2000-12x30	Spring Pin 12x30		1
4	GB/T.95-2002-12	Flat washer 12 × 2.5		2
5	G.FMH150.S-116	Bearing Bracket		1
6	SC201-2RS	Spherical Bearings SC6201-2RS		1
7	GB/T.70.1-2000-M8-16	Hexagon socket head cap screw M8 × 16		2
8	GB.11.08	Kit Floating Bearing		1