

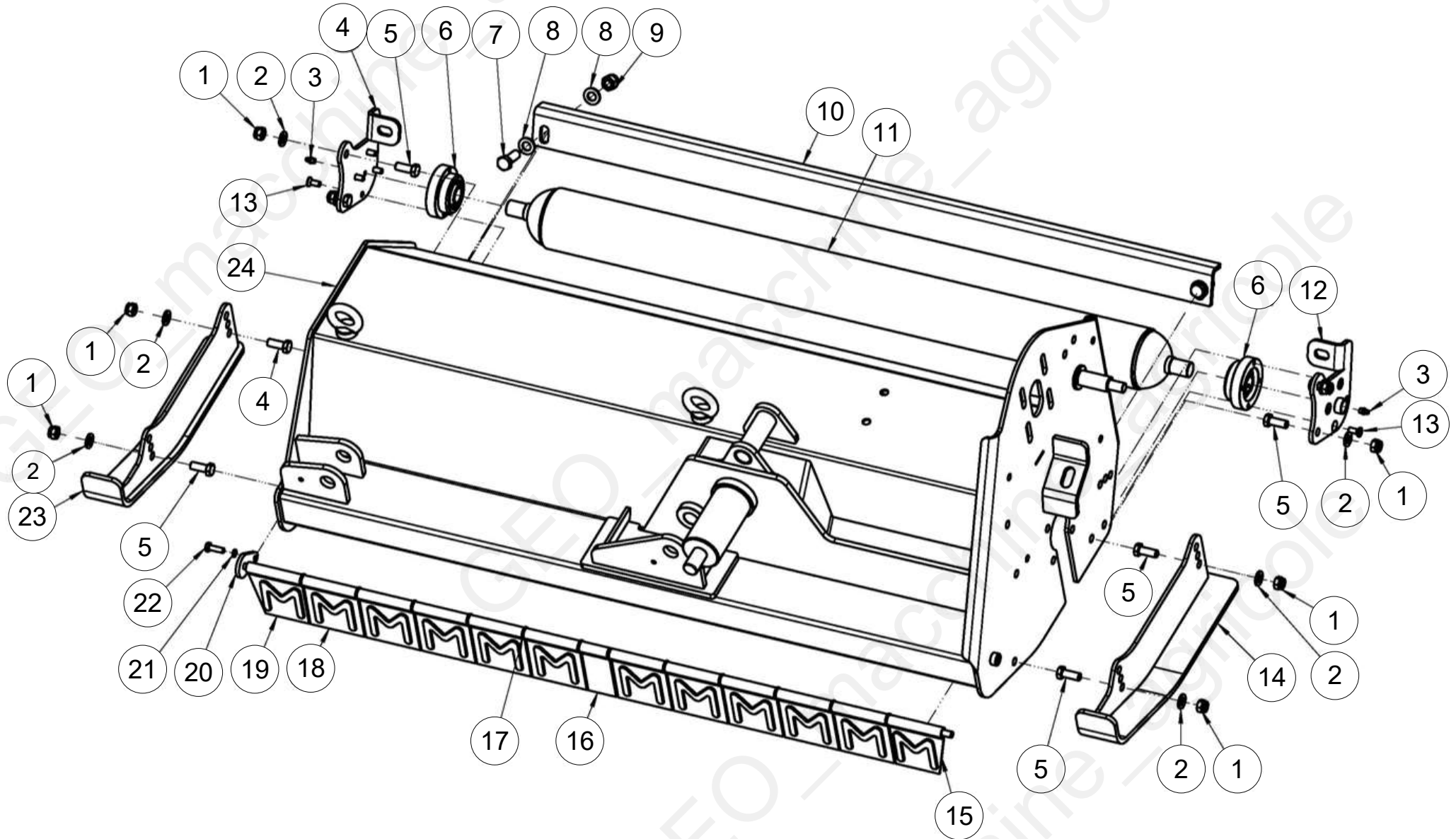
AGL-C



GEO Italy S.R.L.

Table of Contents

Tavola	Page
AGL-C_parte 1	3
AGL-C_parte 2	6
AGL-C_parte 3	8
AGL-C_parte 4	10
AGL-C_parte 5	12
AGL-C_parte 6	15
AGL-C_parte 7	17



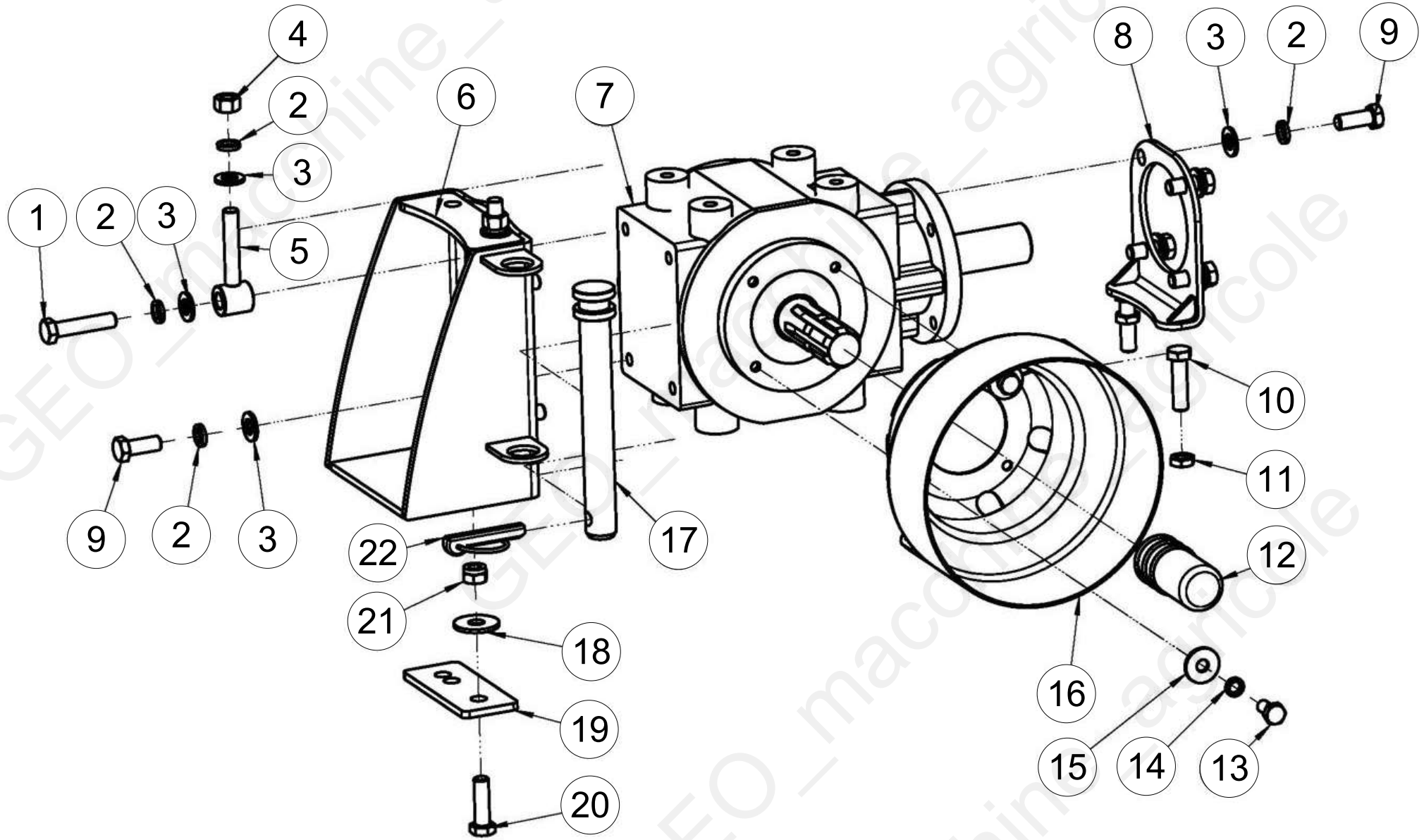
Pos	Code	Description	NOTE	Q.
1	DIN985-M12	nut M12		8
2	GB97.1-12	plain washer 12		8
3	GB1152-M8X1	Grease Nipple M8x1		2
4	EFAGL165A-1200-00	roller hanging board (L)		1
5	GB5783-M12X30	Bolt M12X30		8
6	GEO_UCF205	Bearing with flange UC205		2
7	GB5786-M14X1.5X40	screw bolt		2
8	GB97.1-14	Plain washer 14		4
9	DIN985-M14	Locking Nut M14		2
10	EFAGL145A-0000-01	(L=1421)scraper(145)		1
10	EFAGL165A-0000-03	(L=1621)scraper(165)		1
10	EFAGL185A-0000-01	(L=1821)scraper(185)		1
11	EFG145.012	Roller weldment 145		1
11	EFG165.012	Roller weldment 165		1
11	EFG185.012	Roller weldment 185		1
12	EFAGL165A-1300-00	roller hanging board (R)		1
13	GB70.3-M8X20	sunk screw		8
14	EFAGL165A-1600-00	2 sliding rail 2		1
15	EF100.00.122B	board or chain		1
16	EF100.00.121	Fender Narrow		1
17	GB97.1-10	PLAIN WASHER 10		11
18	EF100.00.122	Fender		10
19	EF100.00.122A	wide board or chain (L)		1
20	EFAGL145A-0200-00	(L=1474) rod for board(145)		1
20	EFAGL165A-0400-00	(L=1674)rod for board(165)		1

Machine: AGL-C

Assembly: AGL-C_parte 1



Pos	Code	Description	NOTE	Q.
20	EFAGL185A-0200-00	(L=1874)rod for board(185)		1
21	GB93-8	Spring washer 8		1
22	GB5783-M8X25	bolt M8X25		1
23	EFAGL165A-1700-00	sliding rail 1		1
24	EFAGL145C-0100-00	(145C)Main body (145)		1
24	EFAGL165C-0100-00	(165C)Main body (165)		1
24	EFAGL185C-0100-00	(185C)Main body (185)		1

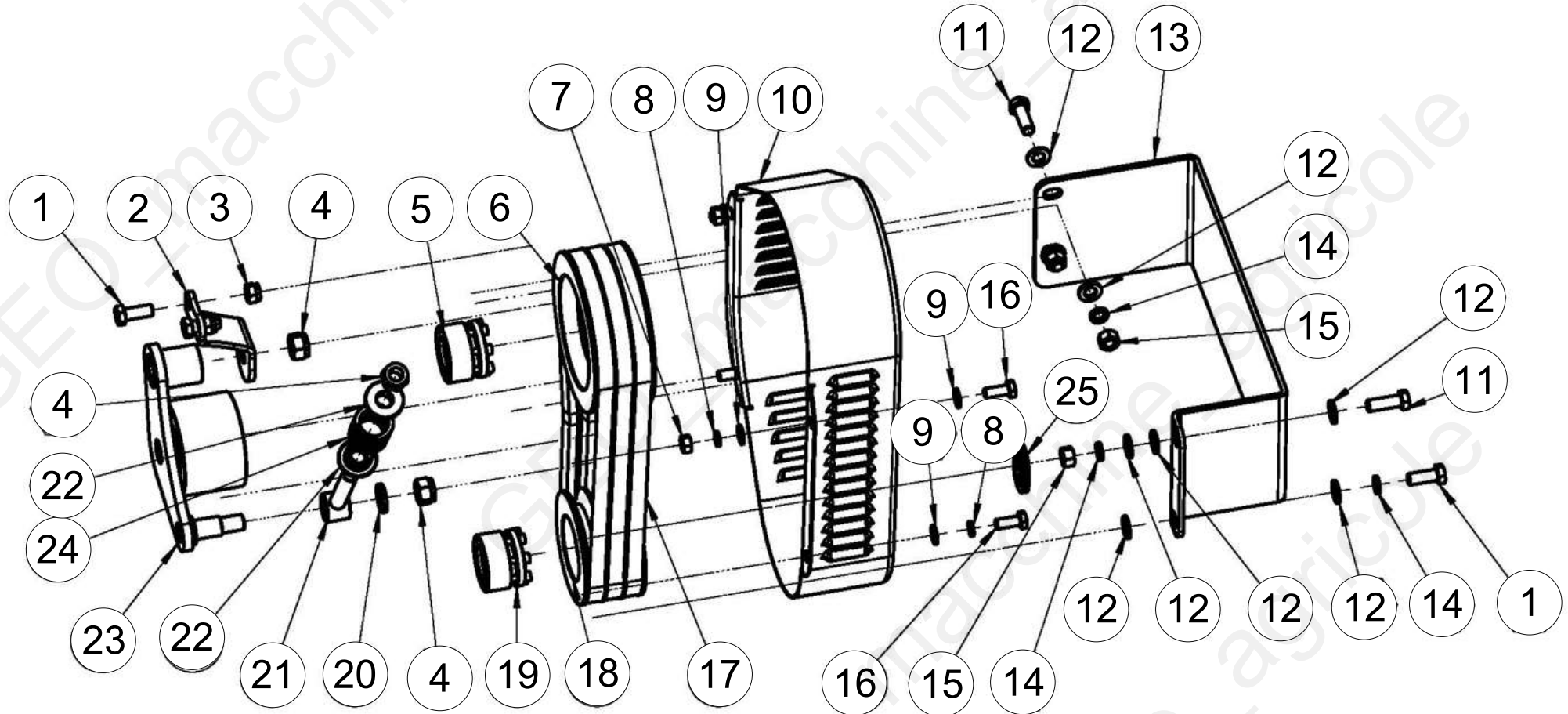


Machine: AGL-C

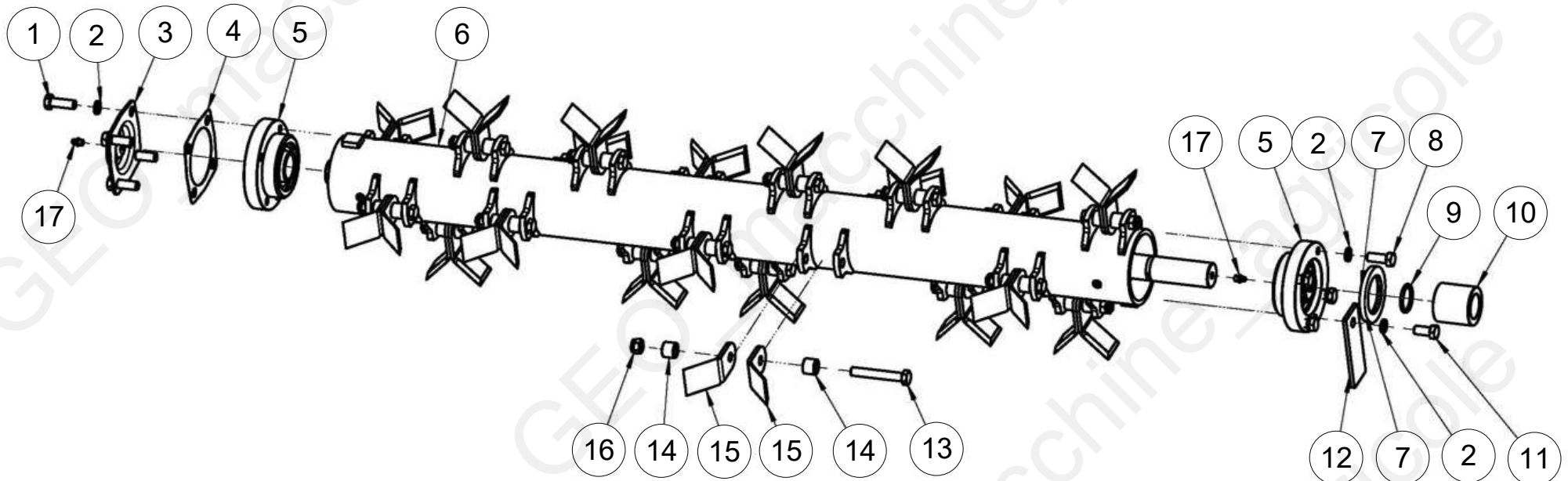
Assembly: AGL-C_parte 2



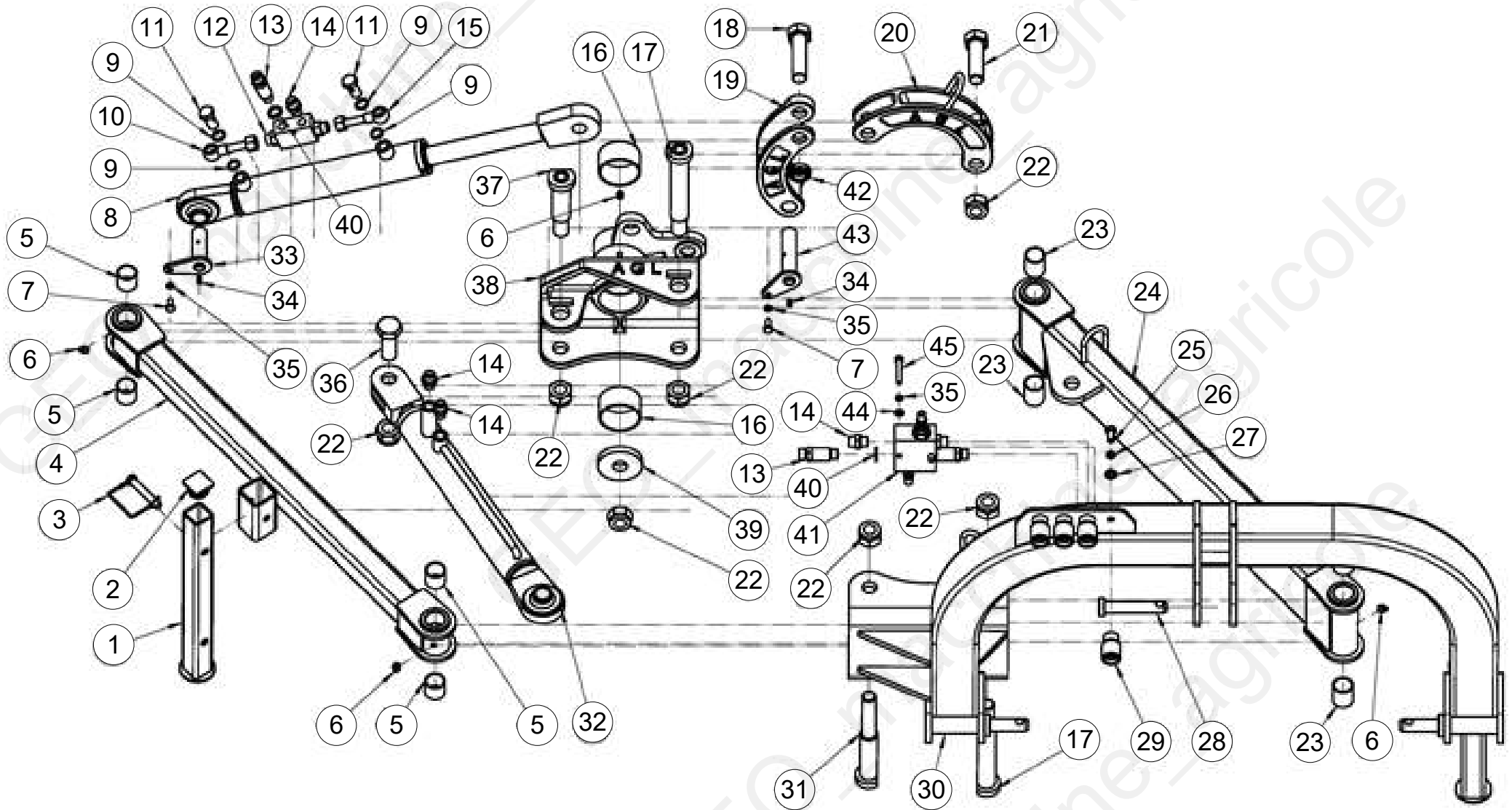
Pos	Code	Description	NOTE	Q.
1	GB5783-M12X55	Bolt M12X55		2
2	GB93-12	spring washer 12		10
3	GB97.1-12	plain washer 12		10
4	GB6170-M12	Nut 12		2
5	EFAGL165A-1400-00	gear box pull rod		2
6	EFAGL165A-0500-00	Gear box seat		1
7	XH50.300Z.02W	Gearbox assembly		1
8	EFAGL125.014	tensioning plate		1
9	GB5783-M12X30	Bolt M12X30		6
10	GB5783-M12X45	Bolt M12X45		2
11	GB6172.1-M12	thin nut		2
12	EF100.00.177	Cover Input shaft		1
13	GB5783-M10X20	Bolt M10x20		2
14	GB93-10	spring washer 10		2
15	GB96.1-10	Plain washer 10		2
16	FM120.00.199	PTO cover		1
17	EFAGL165A-0000-06	ROP set pin 1		1
18	GB96.1-12	Plain washer 12		2
19	EFGCHM120.101	Splint		1
20	GB5783-M12X40	bolt M12x40		2
21	DIN985-M12	nut M12		2
22	200.56.011	Lock pin		1



Pos	Code	Description	NOTE	Q.
1	GB5783-M12X30	Bolt M12X30		3
2	EFAGL165C-0000-06	Tensioning wheel hanging plate		1
3	DIN985-M12	nut M12		2
4	DIN985-M16X1.5	Locking Nut M16x1.5		3
5	JB/T7934Z3/33X60	Swellable sleeve 33X60		1
6	EFG120.106.3	Big belt pulley 170mm 3 grooves		1
7	GB6170-M10	Nut 10		2
8	GB93-10	spring washer 10		4
9	GB97.1-10	PLAIN WASHER 10		6
10	EFAGL165C-0000-01	pulley cover		1
11	GB5783-M12X35	Bolt M12X35		3
12	GB97.1-12	plain washer 12		9
13	EFAGL165C-0000-02	protection plate		1
14	GB93-12	spring washer 12		4
15	GB6170-M12	Nut 12		3
16	GB5783-M10X25	Bolt M10X25		4
17	GB/1154-17.39	BELT SP B 39 (991Li)		3
18	EFG120.105.3	small belt pulley 120mm 3 grooves		1
19	JB/T7934Z3/35X60	Swellable sleeve 35X60		1
20	EFAGL165C-0000-05	tensioning gasket		1
21	EFAGL165C-0200-00	pull rod		1
22	EFAGL165C-0000-03	Spring locating cover		2
23	EFAGL165C-0300-00	tensioning wheel		1
24	EFAGL165C-0000-04	tensioning spring		1
25	EFGC120.138	U cap		1

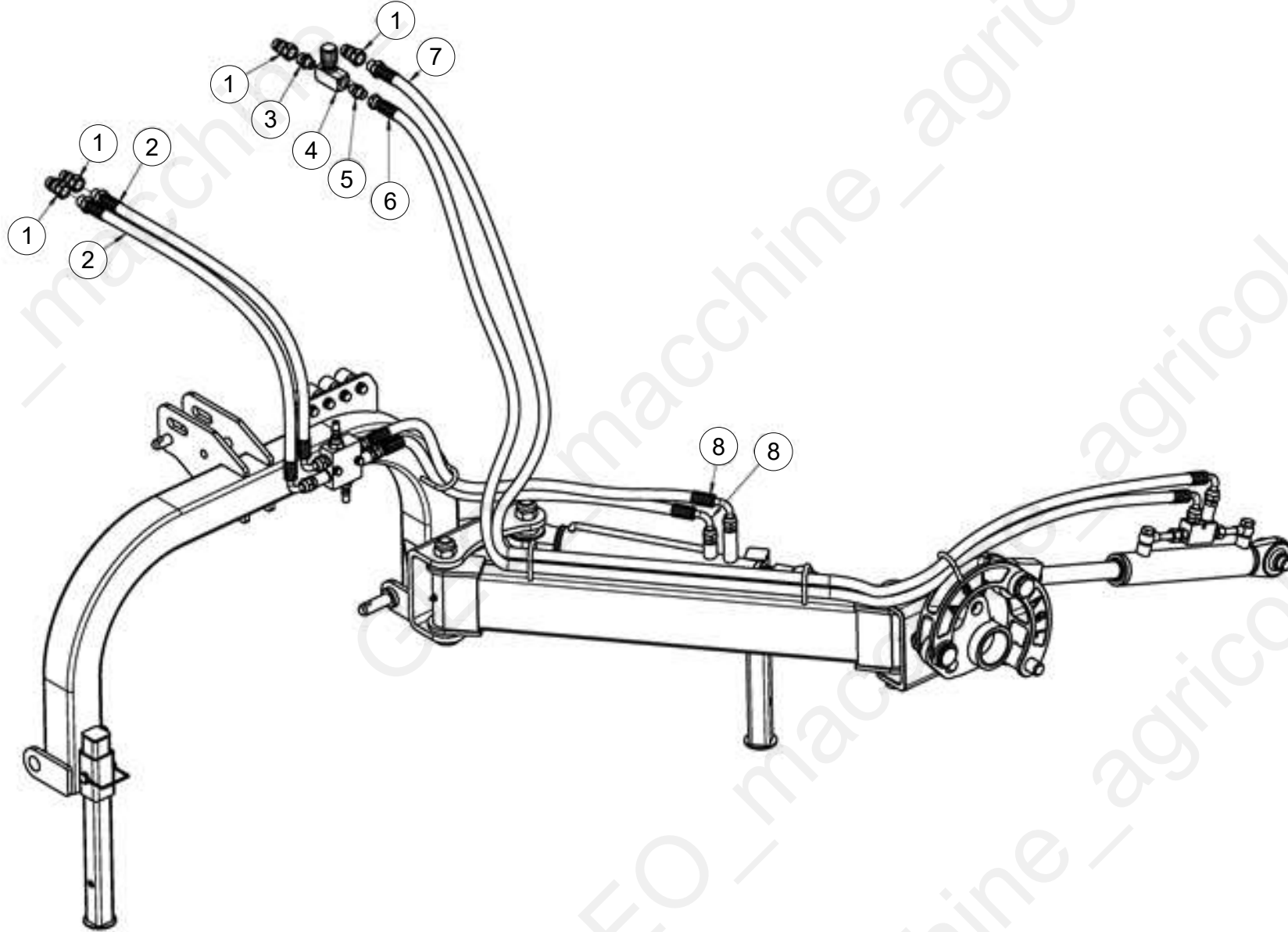


Pos	Code	Description	NOTE	Q.
1	GB5783-M12X35	Bolt M12X35		4
2	GB93-12	spring washer 12		9
3	EFG120.168	oil nipple cap		1
4	EFG120.169	oil nipple paper pad		1
5	GEO_UCF207	Bearing with flange UC207-Z		2
6	EFG145.013	145 Blade shaft	(145)(L=1403)	1
6	EFG165.013	165 Blade shaft	(165)(L=1603)	1
6	EFG185.013	185 Blade shaft		1
7	GB13871-FB-55X80X8	Oil Seal 55X80X8		1
8	GB5783-M12X30	Bolt M12X30		4
9	GB3452.1-G-34.5X3.55	sealing ring		1
10	RK120.109.3	Spacer lower for Pulley 3 grooves		1
10	RK120.109.4	Spacer lower for Pulley 4 grooves		1
11	GB5783-M12X25	Bolt M12X25		1
12	EFG120.103	rabbit board		1
13	EF120.00.200	M12X1.5X78 bolt		20
14	EF.100.00.103	Spacer 12		40
15	EF.100.00.102	Blade Ø 12		20
16	DIN985-M12X1.5	thin nut		20
17	GB1152-M8X1	Grease Nipple M8x1		2



Pos	Code	Description	NOTE	Q.
1	EFAGL125.030	(L=400)Support leg		2
2	MFP120.00.101	Insert Plastic 40×40×2.6-4 MM		2
3	EF100.00.111A	square angle pin		2
4	EFAGL125.017	rear swing arm		1
5	SF-2-30X34X30	self-lubricating bearing		4
6	GB1152-M10X1	Grease Nipple M10x1		5
7	GB5783-M8X16	bolt M8X16		2
8	EFAGL165A-1000-00	side-sway cylinder		1
9	JB982-16	Combined oil seal 16		2
10	EFAGL165A-1100-00			1
11	700M-16			1
12	HM-2S01-K8-0			1
13	LSP-18T-205	Long joint		1
14	1CB-18-06WD	Joint M18X1.5-G3/8		1
15	EFAGL165A-2000-00			1
16	SF-2-65X70X40	self-lubricating bearing		7
17	EFAGL125.109	Pin (L)		4
18	GB5785-M24X1.5X90	half-thread bolt		1
19	EFAGL165A-0000-04	pusher		4
20	EFAGL165A-1900-00	puller		4
21	GB5782-M24X80	half-thread bolt		4
22	DIN985-M24	nut m24		1
23	SF-2-30X34X40	self-lubricating bearing		4
24	EFAGL165A-0300-00	front swing arm		1
25	GB5783-M10X20	Bolt M10x20		1

Pos	Code	Description	NOTE	Q.
26	GB93-10	spring washer 10		1
27	GB97.1-10	PLAIN WASHER 10		1
28	EF100.00.019A	Upper pull rod pin		2
29	AGFR245-2500-00	Quick Connector Female		2
30	EFAGL165A-0100-00			1
31	EFAGL125.108	step pin		1
32	EFAGL165A-0600-00	deflection cylinder		1
33	EFAGL125.103-MH	lockpin rivet		2
34	GB1152-M6	Grease Nipple M6		1
35	GB93-8	Spring washer 8		1
36	GB5783-M24X65	screw bolt M24x65		1
37	EFAGL125.107	Pin (S)		1
38	EFAGL165A-1800-00	rear swing arm seat		1
39	EFAGL165A-0000-09	pressing ring		1
40	G3/8			1
41	HM-ZYF-0			1
42	GB812-M24X1.5	round nut		1
43	EFAGL125.104-MH	long lock pin rivet		1
44	GB97.1-8	Plain washer 8		1
45	GB5782-M8x50	Bolt M8X50		1

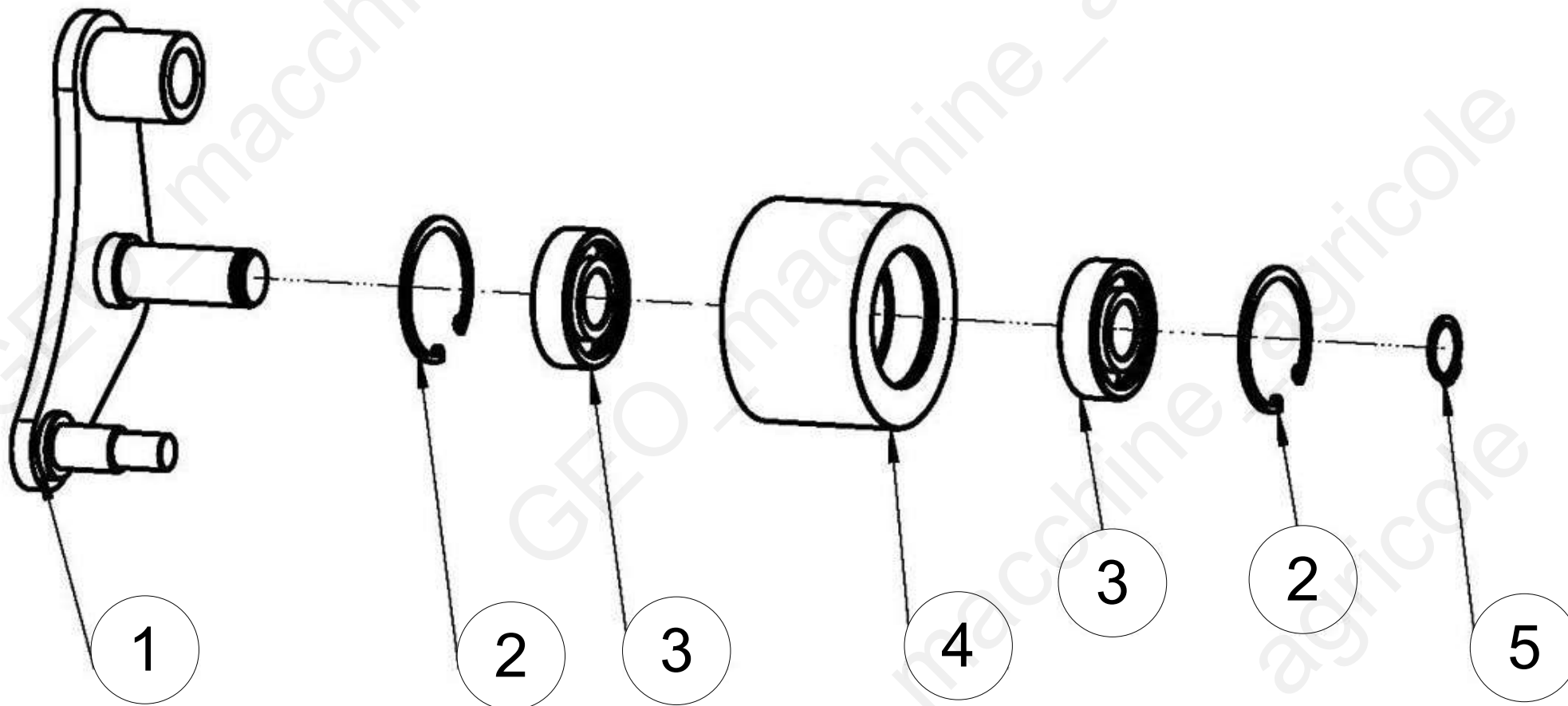


Machine: AGL-C

Assembly: AGL-C_parte 6



Pos	Code	Description	NOTE	Q.
1	QUICK-COUPLING-G1/2-	Quick jointG1/2		4
2	EFAGL165A-0700-00			2
3	1BG-08-06			1
4	FV10-1-10/2-G3/8	Flow control valve (3/8)		1
5	1CB-18-06WD	Joint M18X1.5-G3/8		1
6	EFAGL165A-0900-00			1
7	EFAGL165A-0800-00			1
8	EFAGL165A-1500-00			1



Machine: AGL-C

Assembly: AGL-C_parte 7



Pos	Code	Description	NOTE	Q.
1	EFAGL165C-0301-00	Tensioning wheel hanging frame		1
2	GB893.1-62	Seeger J 62		2
3	GB276-6305-2RS	2RS Deep groove ball bearing		2
4	EFAGL165C-0300-01	tensioning wheel		1
5	GB894.1-25	circlip		1