

DM

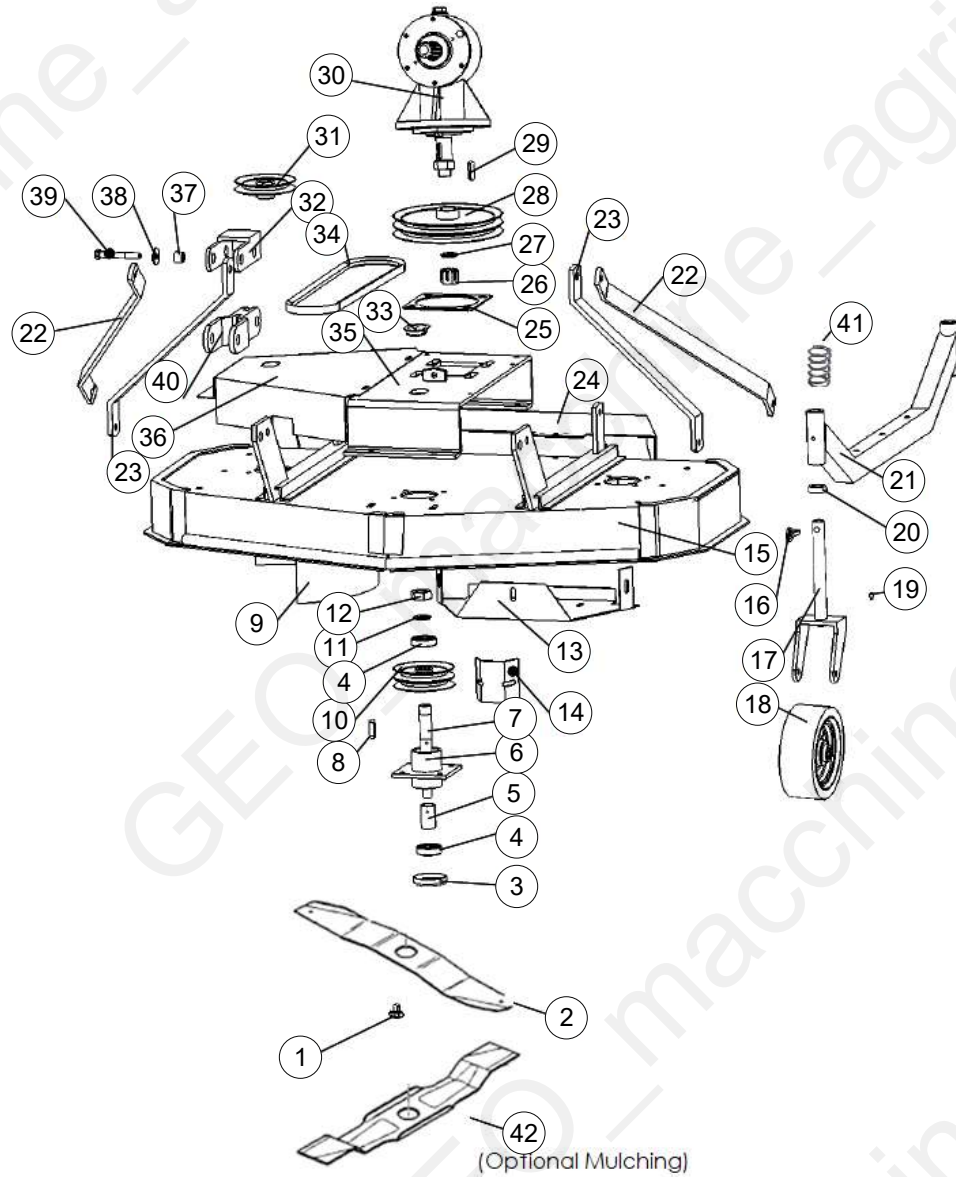


Table of Contents

Tavola	Page
DM	3
DM_2009-2014	10
DM 210N	16
DM3 210	24

DM





Machine: DM

Assembly: DM_parte 1



Pos	Code	Description	NOTE	Q.
1	GB889-86-M18	Locknut M18		3
2	FM120.00.118	Long Blade (DM 120) (L1 = 410) TIPO1		3
2	FM150.00.118	Long Blade (DM 120) (L1 = 410) TIPO1		3
2	FM180.00.118	Long Blade (DM 180) (L1 = 610) TIPO1		3
3	FM120.00.117	Dust-Preventing Cap		3
4	GB.278-89-60205	Bearing 60205		14
5	FM120.00.114	Spacer		3
6	DM.001.006	Blade seat		3
7	FM.120.00.116	Blade axle		3
8	GB.1096-86-A8x28	Key A8x28		3
9	FM120.00.151	Left &Right shield		2
10	FM120.00.014	Belt Pulley with Double Groove 140mm		1
11	GB.858-85-24	Washer 24		1
12	GB.889-86	LocknutM24x1.5		3
13	FM120.00.102	Support for shield		1
14	FM120.00.103	Support for little shield		1
15	FM120.00.019	Deck DM 120		1
15	FM150.00.019	Deck DM 150		1
15	FM180.00.019	Deck DM 180		1
16	200.56.011	Lock pin		4
17	FM120.00.011	Wheel fork		4
18	FM120.00.018	Wheel		4
19	GB.1152-89-6	Grease nipple M6		4
20	FM120.00.115	Adjusting Washer		4
21	FM120.00.015	Wheel Support Weldment		2

Pos	Code	Description	NOTE	Q.
21	FM150.00.015	Wheel bracket DM 150		2
21	FM180.00.015	Wheel bracket DM 180		2
22	FM120.00.109	Rear link rod		2
23	FM120.00.113	Front link rod		2
24	FM180.00.106	Protecting plate		1
25	FM120.00.108	Gasket Gearbox		1
26	GB.9459-1988	NutM24		1
27	GB.97.1-85-24	Plain washier 24(black)		1
28	FM120.00.012	Belt wheel (large) 226mm		1
29	GB1096-86	Key A10×45		1
30	FM120.01.001	Gearbox assembly		1
31	FM120.00.013	Belt Pulley with Single Groove 140mm		2
32	FM120.00.112	Bracket for suspending (Up)		1
33	FM120.00.110	Rubber cover		3
34	B1549Li	Belt DM 120 B 1549Li		2
34	B1727Li	Belt DM 150 B 1727Li		2
34	GB/T.11544-97	Belt DM 180		2
34	GB/T.11544-97-B1880	belt Dmold		0
35	FM120.00.107	Gearbox seat DM 120		1
35	FM150.00.107	Gearbox seat DM 150		1
35	FM180.00.107	Gearbox seat DM 180		1
36	FM120.00.121	Cover for belt wheel DM 120		2
36	FM150.00.121	Cover for belt wheel DM 150		2
36	FM180.00.121	Cover for belt wheel DM 180		2
37	FM120.00.111	FMeeve		2

Machine: DM

Assembly: DM_parte 1



Pos	Code	Description	NOTE	Q.
38	GB.96-85-12	Enlarged washer 12		2
39	GB.5782-86-M12x90	BoltM12x90		2
40	FM120.00.017	Bracket for suspending (lower)		2
41	FM120.00.A01	Spring		4
42	FM120.00.A02	Short Mulching Blade DM 120		3
42	FM150.00.A02	Short Mulching Blade DM 150		3
42	FM180.00.A02	Short Mulching Blade DM 180		3



Machine: DM

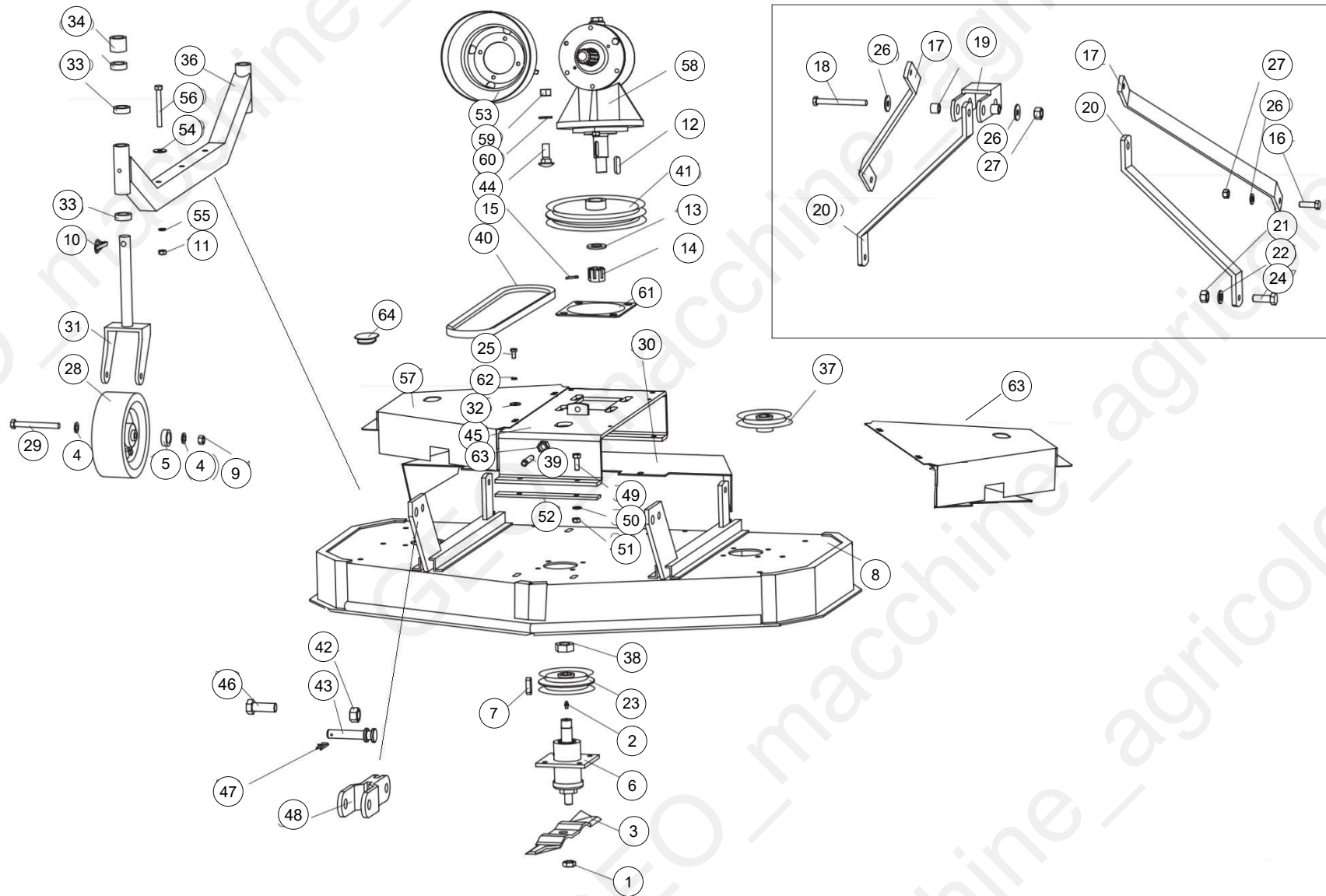
Assembly: DM_parte 2



Pos	Code	Description	NOTE	Q.
1	GB5783-86/M10×30	Bolt M10x30		4
2	GB93-87-10	Spring lock washer 10		4
3	GB899-86	Locknut M24		1
4	GB97.1-85/24	Plain washer 24		1
5	FM120.01.102	Bearing cover		1
6	FM140-116	Gasket		4
7	GB9877.1-88-35×55×8	Oil seal 35×55×8		1
8	GB/T.276-94-6307	Bearing 6307		3
9	FM140-118	FMeeve		1
10	FM120.01.101	Output shaft		1
11	FM120.01.104	Case		1
12	12.37.146	Washer 16		1
13	GB5786-86/M16X1.5X18	Hex. head boltM16×1.5×18		1
14	FM120.01.103	Bevel gear		1
15	FM140-122	Input shaft		1
16	GB/T.276-94-6208	Bearing 6208		1
17	GB9877.1-88-40×62×8	Oil seal 40×62×8		2
18	FM140-124	Gasket		1
19	FM140-123	Bearing seat		1
20	GB93-87-8	Spring lock washer 8		6
21	GB5783-86/M8x25	Bolt M8x25		6

DM_2009-2014





Pos	Code	Description	NOTE	Q.
1	DIN985-M18	Locking Nut M18		3
2	GB1152-89/M6	Grease nipple M6		1
3	DMS.120.00.118	Blade (L1=410) -Tipo2		3
3	DMS.150.00.118	Blade (L1=510) -Tipo2		3
3	DMS.180.00.118	Blade (L1=610) -Tipo2		3
4	GB97.1-85/12	Plain washer 12		1
5	FM120.00.120	Nylon Sleeve		1
6	FMN120.00.012	Bearing Seat Assemblt DMS		3
7	GB1096-A-8X7X28	chiave piatta		3
8	FMN120.00.013	Telaio DM(tipo 120)		1
8	FMN120.00.013a	Telaio DM(tipo 150)		0
8	FMN120.00.013b	Telaio DM(tipo 180)		0
9	GB6184-86/M12	Locking nut M12		1
10	200.56.011	Lock pin		1
11	GB6170-86-M10	Nut M10		1
12	GB1096-86	Key A10x45		1
13	GB97.1-85/24	Plain washer 24		1
14	GB6178-86	Six flange notch nut M27		1
15	GB91-86-4x40	Split pin 4 x 40		1
16	GB5783-M12X40	bolt M12x40		2
17	FMN120.00.145	Leva posteriore DM (tipo 120)		2
17	FMN150.00.145	Leva posteriore DM (tipo 150)		2
17	FMN180.00.145	Leva posteriore DM (tipo 180)		2
18	GB5782-M12X90	Bolt M12x90		1
19	EF.100.00.103	Spacer 12		2

Pos	Code	Description	NOTE	Q.
20	FMN120.00.144	Leva anteriore (120- 150- 180)		2
21	GB6184-86/M16	Locking nut M16		1
22	GB97.1-85/16	Plain washer 16		1
23	DMS.120.140.017	Pulley double Groove 140diam		1
24	GB5783-86/M16x45	Bolt M16X45		1
25	GB5783-86/M8x16	Bolt M8X16		1
26	GB96.1-12	Plain washer 12		1
27	DIN985-M12	nut M12		7
28	FM120.00.018	Wheel		4
29	GB5783-M12X110	Bullone		4
30	FM120.00.106	Protecting Plate		1
30	FM150.00.106			1
30	FM180.00.106	Protecting plate		1
31	FM120.00.011	Wheel fork		4
32	GB96-85/8	Plain washer 8		1
33	FMR120.00.115	(H=6) adjusting ring		4
33	FMR120.00.115a	(H=12) adjusting ring		0
33	FMR120.00.115b	(H=32) adjusting ring		0
34	FM120-00-125	molla		4
36	GB1152-M8X1	Grease Nipple M8x1		4
37	DMS.120.140.019	Pulley single Groove 140diam		2
38	FM120.00.198	M24x18 nut		3
39	GB85-88	Looking nut M12x50		1
40	B1549	Cinghia trapezoidale (tipo 120)		2
40	B1753	Cintura a triangolo (tipo 150)		1

Pos	Code	Description	NOTE	Q.
40	B1930	Cintura a triangolo (tipo 180)		1
41	DMS.120.230.021	Pulley big double groove 230diam		1
42	GB6184-86/M20	Locking nut M20		1
43	LXG170.106	Lower Link Pin		1
44	GB12-M16X60	Bullone		4
45	FMN120.00.021	Parti di saldatura del cambio		1
46	GB5783-86/M20x55	Hex head blot M20 x 55		1
47	22690-08	R PIN		1
48	FM120.00.017	Bracket for suspending (lower)		1
49	GB5783-86/M10x30	Bolt M10x30		1
50	GB97.1-85/10	Plain washer 10		1
51	GB6184-86/M10	Locking nut M10		1
52	FM120.00.167	plate		1
53	FM120.00.199	PTO cover		1
54	GB96.1-10	Plain washer 10		6
55	GB93-10	spring washer 10		6
56	GB5782-M10X90	Bolt M10x90		6
57	FM120.00.121a-L	Copertura puleggia (tipo 150) (sinistra)		1
57	FM120.00.121b-L	Copertura puleggia (tipo 180) (sinistra)		1
57	FM120.00.121-L	Copertura puleggia (tipo 120) (sinistra)		1
58	XH30.283Z.01L	FM-FMS-30HP JCTT Gearbox		1
59	DIN985-M16	Locking Nut M16		4
60	GB97.1-16	Plain washer 16		4
61	FM120.00.108	Gasket Gearbox		1
62	GB96.1-8	Plain washer8		4

Machine: DM_2009-2014

Assembly: DM__parte 1

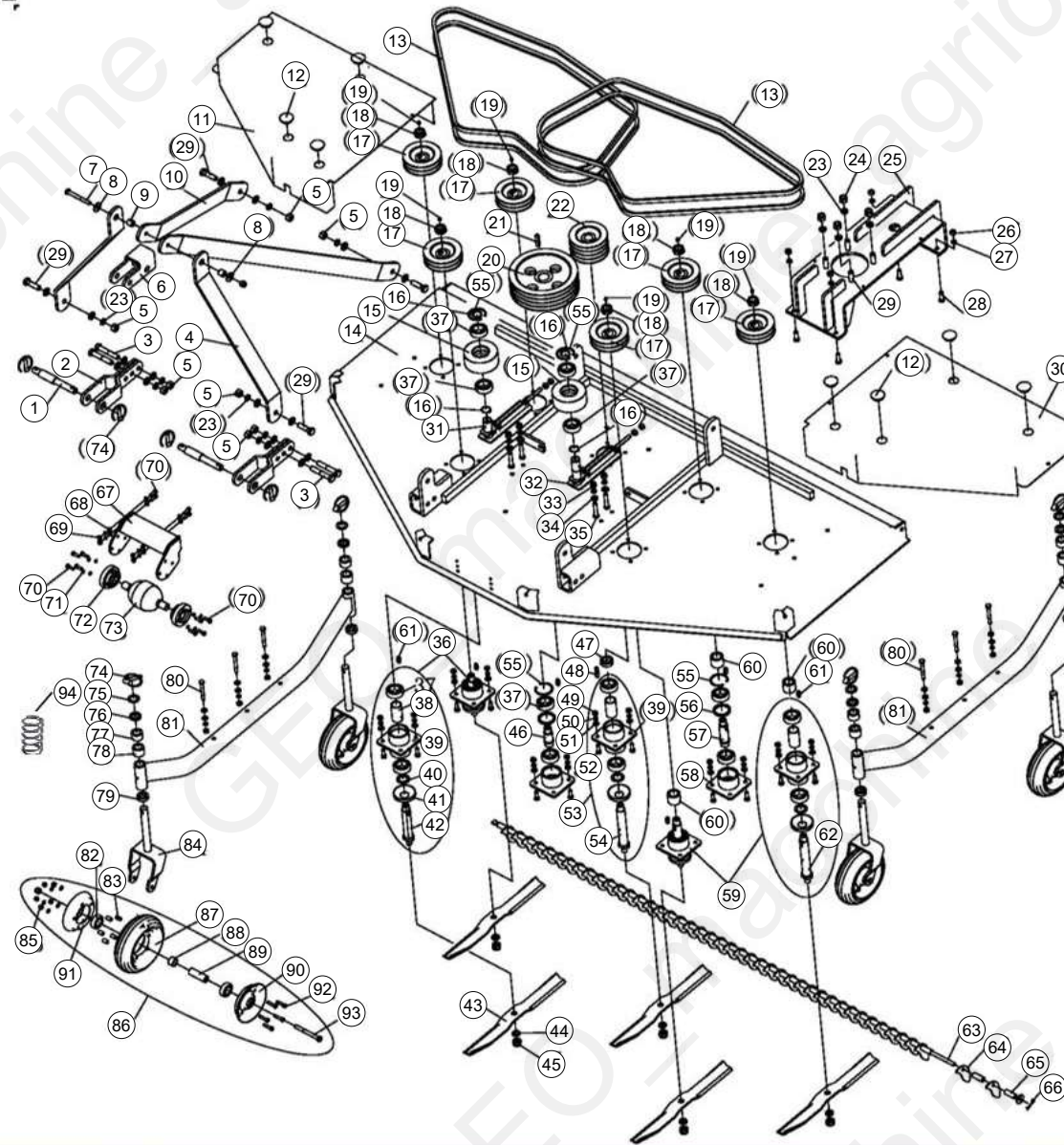


Pos	Code	Description	NOTE	Q.
63	GB6170-86-M12	Nut M12		1
64	FM120.00.110-2	Rubber cover		3

DM 210N



GEO Italy S.R.L.

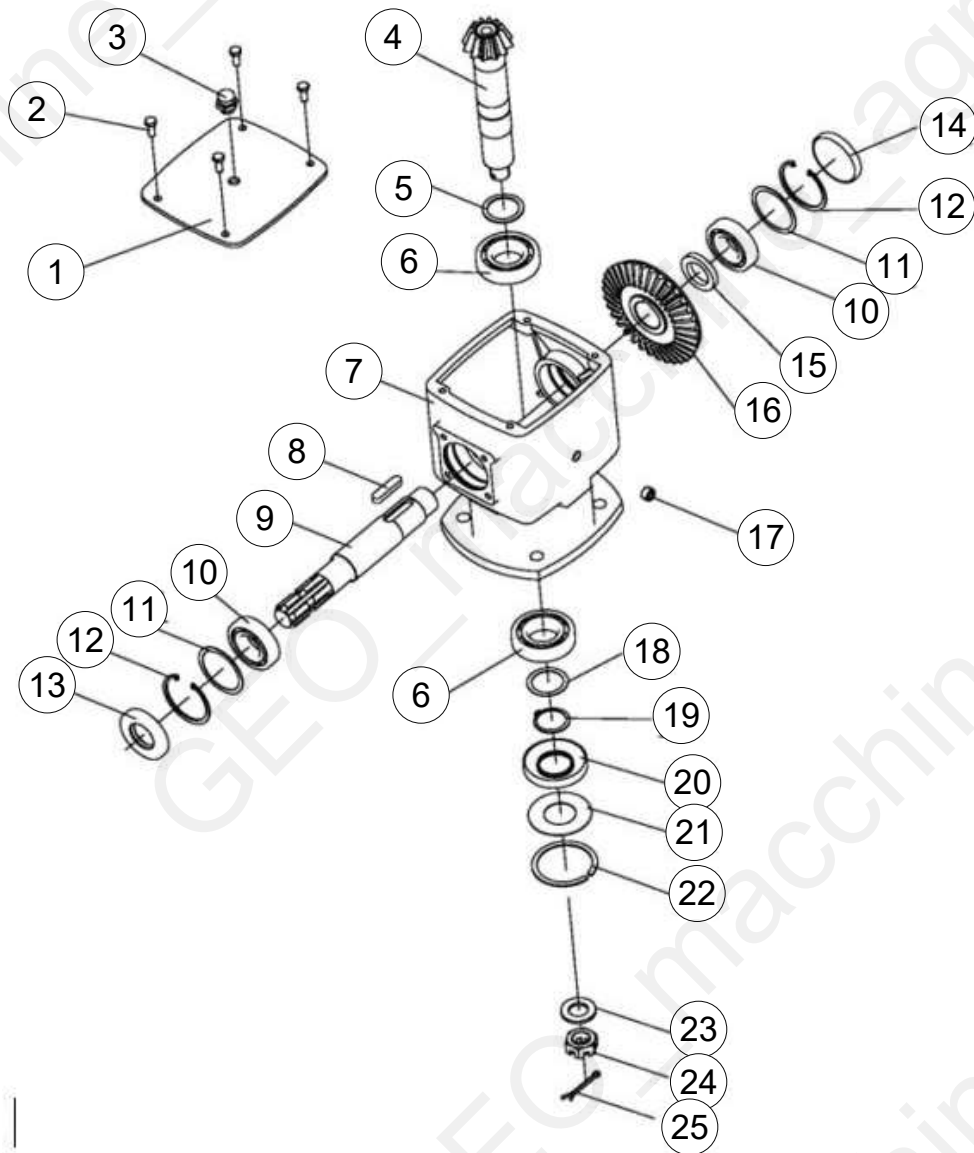


Pos	Code	Description	NOTE	Q.
1	FTL.125.124A	pin shaft		2
2	FMN-210-029	lower hitch		2
3	GB5783-M16X90	Bolt M16x90		4
4	FMN-210-170	pulling plate		2
5	GB6170-M16	Nut 16		8
6	FMN-210-179	upper hitch		1
7	GB5782-M12X100	Bolt M12x100		1
8	FMN-210-191	washer		2
9	FMN-210-192	space ring		2
10	FMN-210-171	rear link rod		2
11	FMN-210-124	belt cover R		1
12	FM120.00.110-2	Rubber cover		8
13	B2464	belt		4
14	FMN-210-011	hood		1
15	FMN-210-146	tension wheel		2
16	GB894.1-30	circlip 30		4
17	FMN-210-102	small pulley		6
18	FM120.00.198	M24x18 nut		6
19	GB1152-M8X1	Grease Nipple M8x1		6
20	FMN-210-101	big pulley		1
21	GB1096-A-12X8X55	C 12x55 key		1
22	FMN-210-103	pulley		1
23	GB93-16	spring washer 16		12
24	DIN985-M16	Locking Nut M16		4
25	FMN-210-012	gearbox rack		1

Pos	Code	Description	NOTE	Q.
26	GB6170-M12	Nut 12		8
27	GB93-12	spring washer 12		8
28	GB5783-M12X35	Bolt M12X35		4
29	GB5783-M16X55	Bolt M16x55		8
30	FMN-210-125	RightCover		1
31	FMN-210-025	tension pulley rack R		1
32	FMN-210-028	tension pulley rack L		1
33	DIN985-M12	nut M12		5
34	GB97.1-12	plain washer 12		4
35	GB5782-M12X60	Bolt M12x60		4
36	FMN-210-016	blade seat		2
37	GB276-6206-RS	Bearing 6206-RS		18
38	FMN-210-105	bush		5
39	FMN-210-020	blade seat		5
40	FMN-210-126	washer		5
41	FMN-210-117	cover		5
42	FMN-210-107	blade axle		2
43	DMS.150.00.118	Blade (L1=510) -Tipo2		5
44	GB93-18	spring washer 18		5
45	DIN985-M18X1.5	M18X1.5 nut		5
46	FMN-210-116	shaft		1
47	FMN-210-111	bush		1
48	GB1096-A-10X8X50	A 10x50 key		1
49	GB6170-M10	Nut 10		34
50	GB93-10	spring washer 10		34

Pos	Code	Description	NOTE	Q.
51	GB97.1-10	PLAIN WASHER 10		40
52	GB5783-M10X30	Bolt M10X30		28
53	FMN-210-018	blade seat		1
54	FMN-210-110	blade axle		1
55	GB893.1-62	Seeger J 62		4
56	FMN-210-115	washer		2
57	FMN-210-118	pin shaft		1
58	FMN-210-019	bearing seat		1
59	FMN-210-017	blade seat		2
60	FMN-210-122	bush		3
61	GB1096-A-10X8X28	A 10x28 key		6
62	FMN-210-109	blade axle		2
63	FMN-210-182	rod		1
64	FMN120.00.102	small plate		44
65	FMN120.00.101	bush		45
66	GB91-2.5X25	cotter pin 2.5x25		1
67	FMN-210-186	wheel rack		1
68	GB97.1-8	Plain washer 8		8
69	GB6170-M8	Nut M8		4
70	GB5783-M8X25	bolt M8X25		12
71	GB93-8	Spring washer 8		12
72	GEO_UCF205	Bearing with flange UC205		2
73	FMN-210-030	backup roll		1
74	200.56.011	Lock pin		8
75	FMR120.115A	(H=2) adjusting ring		4

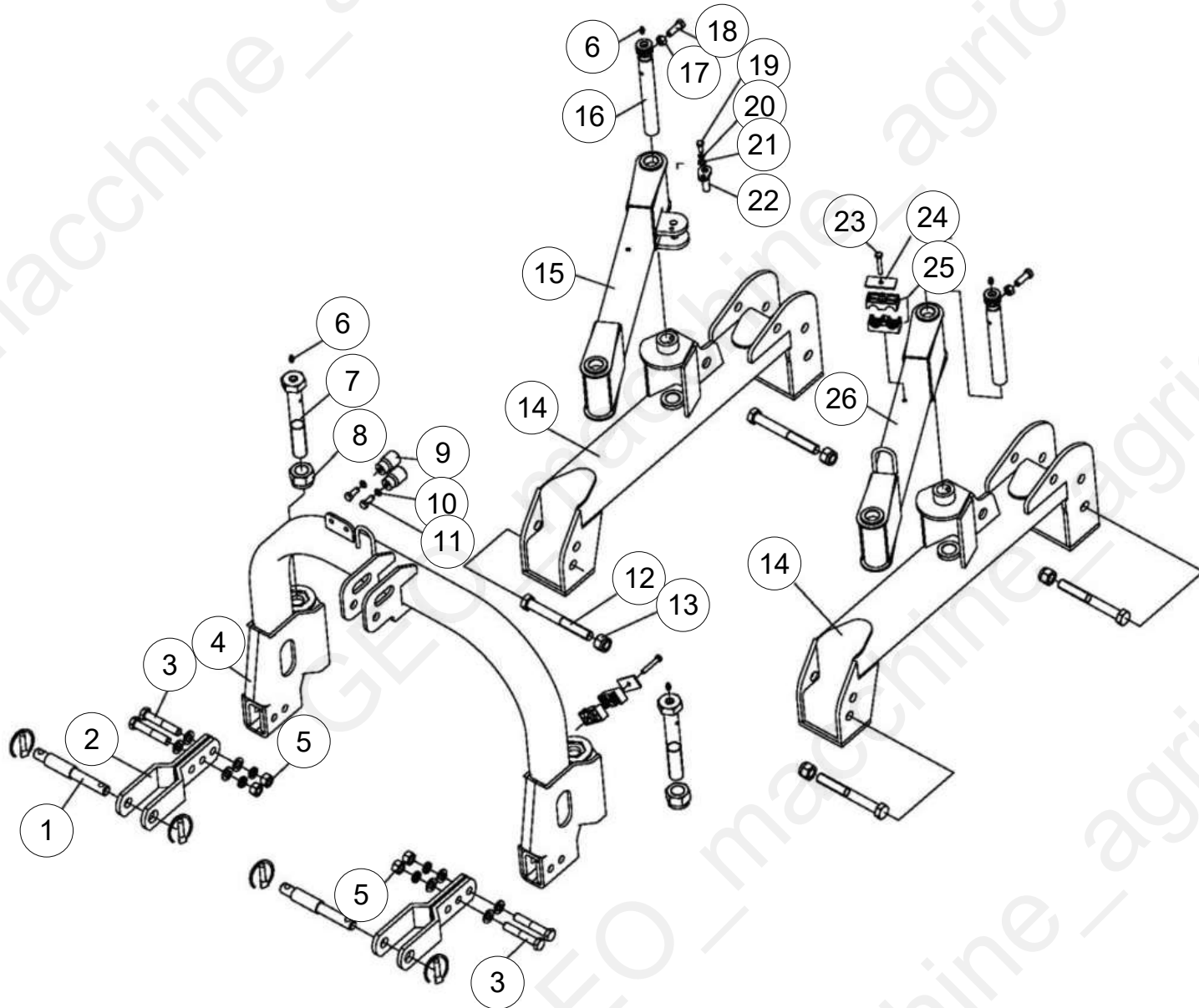
Pos	Code	Description	NOTE	Q.
76	FMR120.00.115	(H=6) adjusting ring		4
77	FMR120.115D	(H=25) adjusting ring		4
78	FMR120.00.115b	(H=32) adjusting ring		4
79	FMR120.00.115a	(H=12) adjusting ring		4
80	GB5782-M10X85	Bolt M10x85		6
81	FM120.00.015a	wheel brackets		2
82	GB276-6205-Z	Bearing 6205-Z		8
83	FM120.00.162	bushing		5
84	FMN-210-027	wheel fork		4
85	DIN985-M8	nut M8		20
86	FMN-210-023-JL	wheel		4
87	FMN-210-164	tyre		4
88	FM120.00.165	bushing		4
89	FM120.00.166	sleeve		4
90	FM120.00.161	rim		4
91	FM120.00.161a	rim		4
92	GB5783-M8X35	bolt M8x35		20
93	GB5782-M12X110	Bolt M12x110		4
94	FM120.00.A01	Spring		4



Pos	Code	Description	NOTE	Q.
1	FMN-210-C02	cover plate		1
2	GB5783-M8X16	bolt M8X16		4
3	CBW-00-011B	breath plug 3/8		1
4	FMN-210-C11	input shaft gear		1
5	TZDP-52-40-2	52x40x2 adjusting washer		1
6	GB276-6208	Bearing 6208		2
7	FMN-210-119	gear box case		1
8	GB1096-A-12X8X50	A 12x50 key		1
9	FMN-210-C01	input shaft		1
10	GB276-6207	Bearing 6207		2
11	TZDP-72-60-1	72x60x1 adjusting washer		2
12	GB893.1-72	Seeger ring 72		2
13	CFW-35X72X10	FB oil seal 35X72X10		1
14	NFG-RCA-72X10	Blanking cap 72x10		1
15	FMN-210-C03	space ring		1
16	FMN-210-C10	driving gear		1
17	ZBT32001.3-ZG3/8-19"	ZG3/8-19 cap plug		1
18	TZDP-52-40-1	52x40x1 adjusting washer		1
19	GB894.1-40	Check ring 40		1
20	CFW-40X80X12	Oil seal 40X80X12		1
21	205SL.C03	80x40x1mm plate		1
22	GB893.1-80X2-WE	80x2circlip		1
23	GB97.1-24	Plain washer 24		1
24	FM120.C01	M24x2x18 nut		1
25	GB91-5X50	cotter pin 5x50		1

DM3 210





Machine: DM3 210

Assembly: DM3-210_parte 1



Pos	Code	Description	NOTE	Q.
1	FTL.125.124A	pin shaft		2
2	FMN-210-029	lower hitch		2
3	GB5783-M16X90	Bolt M16x90		4
4	FMN-210B-017	Hanging Weldment		1
5	GB6170-M16	Nut 16		8
6	GB1152-M8X1	Grease Nipple M8x1		6
7	FMN-210B-151	Bolt M30		2
8	DIN985-M30X2	Locking nutM30x2		2
9	AGFR245-2500-00	Quick Connector Female		2
10	GB93-10	spring washer 10		2
11	GB5783-M10X30	Bolt M10X30		2
12	GB5782-M20X170	Bolt M20x170		4
13	DIN985-M20	nut M20		4
14	FMN-210B-014	Support		2
15	FMN-210B-016	Left Arm		1
16	FMN-210B-150	Pin		2
17	GB6170-M12	Nut 12		2
18	GB5783-M12X35	Bolt M12X35		2
19	GB5783-M8X20	bolt M8X20		1
20	GB93-8	Spring washer 8		2
21	GB97.1-8	Plain washer 8		1
22	FMN-210B-018	Block		1
23	GB5783-M8X50	bolt M8x50		2
24	QHTT-G3	cover		2
25	QHTTPG-320	Pipe clamp		2

GEO Italy S.R.L.

Via G. Abbate, 215, 14054 Castagnole delle Lanze AT

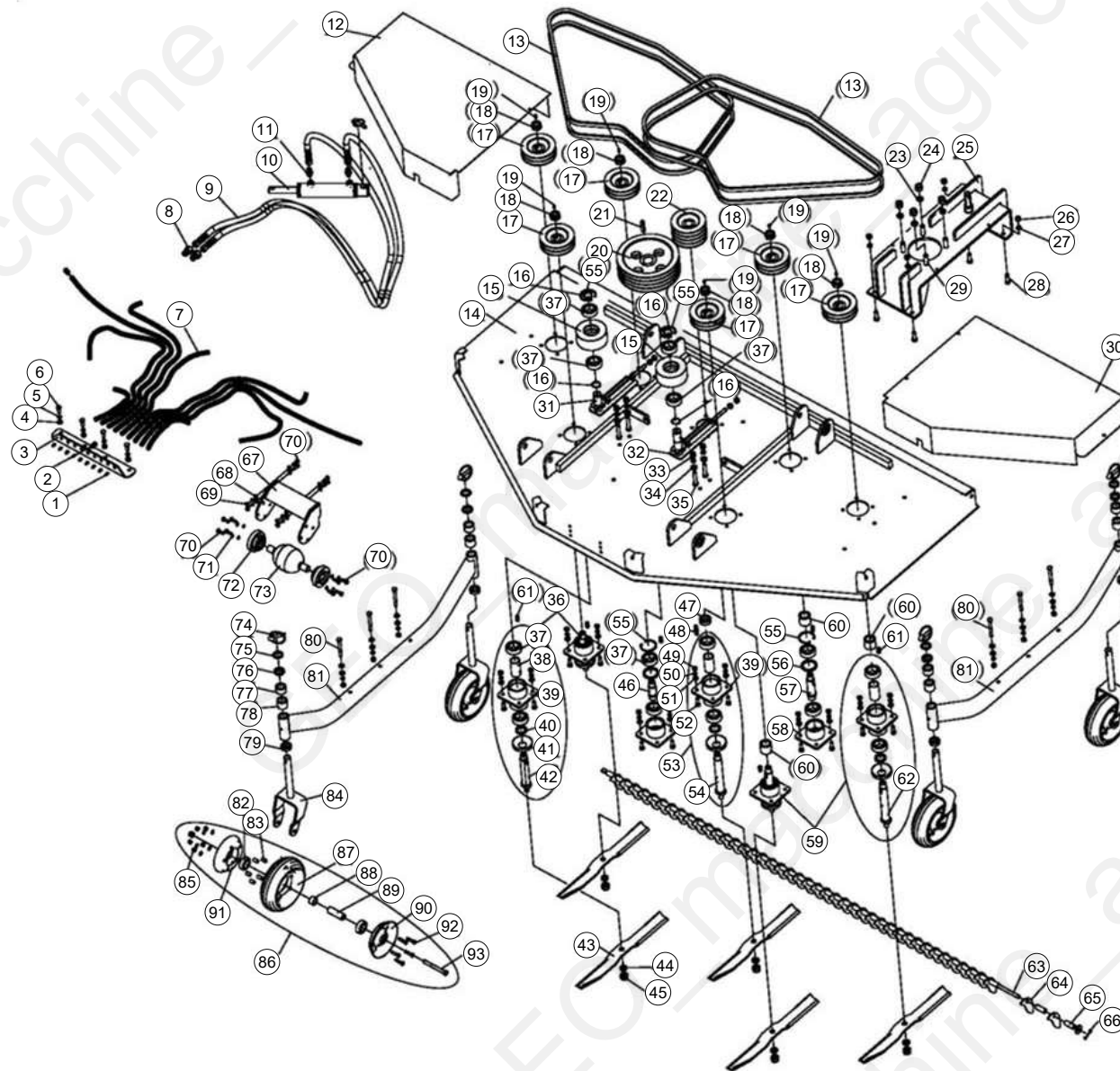
Page 26

Machine: DM3 210

Assembly: DM3-210_parte 1



Pos	Code	Description	NOTE	Q.
26	FMN-210B-015	Right Arm		1

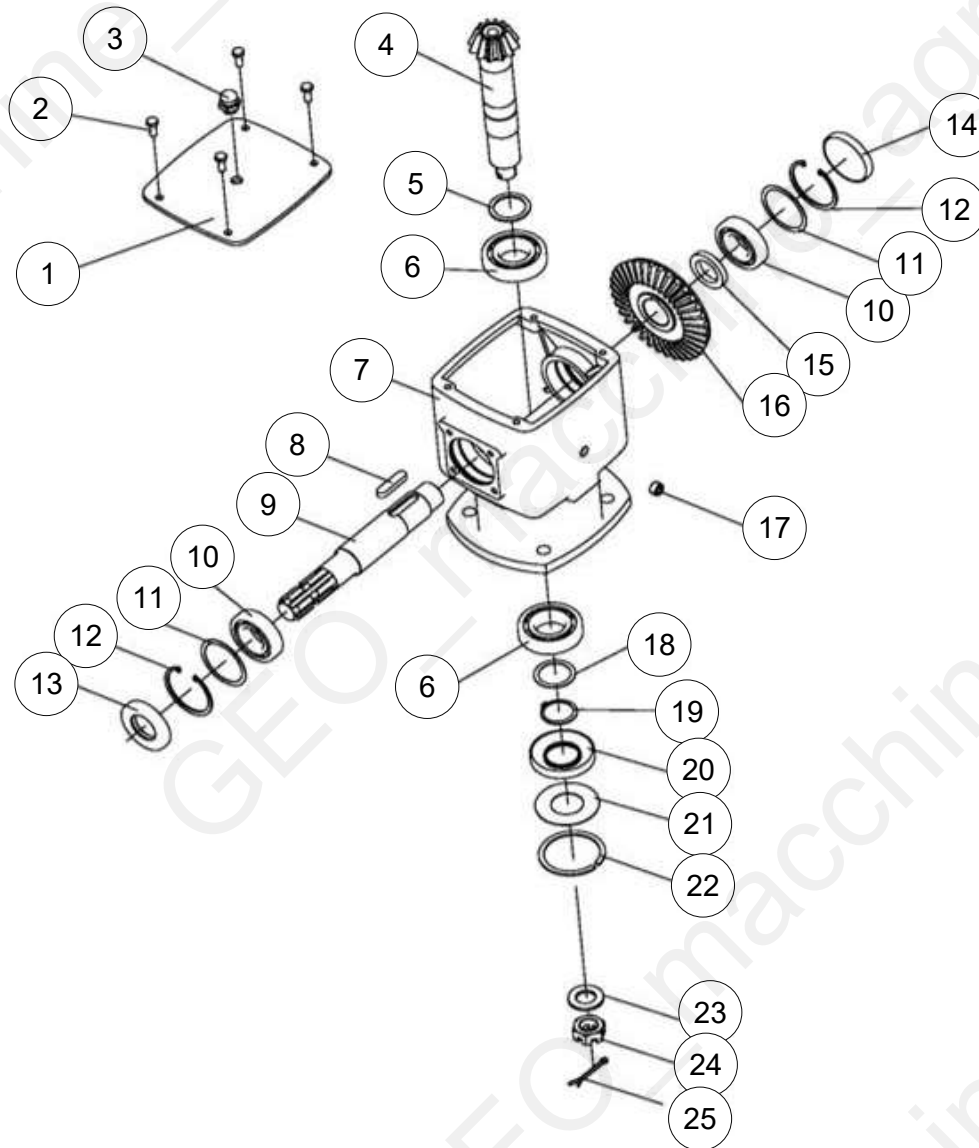


Pos	Code	Description	NOTE	Q.
1	GB1152-M10X1	Grease Nipple M10x1		7
2	FMN120.00.500	Grease female M10		7
3	FMN-210-135	Greasing Block		1
4	GB6170-M10	Nut 10		4
5	GB93-10	spring washer 10		4
6	GB5783-M10X25	Bolt M10X25		4
7	RUANGUAN-01	Grease Pipe		0
8	QUICK-COUPLING-G1/2-(Quick jointG1/2-		2
9	FMN-210B-020	Oil pipe		2
10	FMN-210B-049	Cylinder DM3-210		1
11	1CB-18-06WD	Joint M18X1.5-G3/8		2
12	FMN-210-124X	Left Cover		1
13	B2464	belt		4
14	FMN-210B-011	Main Deck		1
15	FMN-210-146	tension wheel		2
16	GB894.1-30	circlip 30		4
17	FMN-210-102	small pulley		6
18	FM120.00.198	M24x18 nut		6
19	GB77-M8X10	Bolt M8x10		7
20	FMN-210-101	big pulley		1
21	GB1096-A-12X8X55	C 12x55 key		1
22	FMN-210-103	pulley		1
23	GB93-16	spring washer 16		12
24	DIN985-M16	Locking Nut M16		4
25	FMN-210B-012	Lower Support		1

Pos	Code	Description	NOTE	Q.
26	GB6170-M12	Nut 12		8
27	GB93-12	spring washer 12		8
28	GB5783-M12X35	Bolt M12X35		4
29	GB5783-M16X55	Bolt M16x55		8
30	FMN-210-125X	RightCover		1
31	FMN-210-025	tension pulley rack R		1
32	FMN-210-028	tension pulley rack L		1
33	DIN985-M12	nut M12		5
34	GB97.1-12	plain washer 12		4
35	GB5782-M12X60	Bolt M12x60		4
36	FMN-210-016	blade seat		2
37	GB276-6206-RS	Bearing 6206-RS		18
38	FMN-210-105	bush		5
39	FMN-210-020	blade seat		5
40	FMN-210-126	washer		5
41	FMN-210-117	cover		5
42	FMN-210-107	blade axle		2
43	DMS.150.00.118	Blade (L1=510) -Tipo2		5
44	GB93-18	spring washer 18		5
45	DIN985-M18X1.5	M18X1.5 nut		5
46	FMN-210-116	shaft		1
47	FMN-210-111	bush		1
48	GB1096-A-10X8X50	A 10x50 key		1
49	GB6170-M10	Nut 10		34
50	GB93-10	spring washer 10		34

Pos	Code	Description	NOTE	Q.
51	GB97.1-10	PLAIN WASHER 10		40
52	GB5783-M10X30	Bolt M10X30		28
53	FMN-210-018	blade seat		1
54	FMN-210-110	blade axle		1
55	GB893.1-62	Seeger J 62		4
56	FMN-210-115	washer		2
57	FMN-210-118	pin shaft		1
58	FMN-210-019	bearing seat		1
59	FMN-210-017	blade seat		2
60	FMN-210-122	bush		3
61	GB1096-A-10X8X28	A 10x28 key		6
62	FMN-210-109	blade axle		2
63	FMN-210-182	rod		1
64	FMN120.00.102	small plate		44
65	FMN120.00.101	bush		45
66	GB91-2.5X25	cotter pin 2.5x25		1
67	FMN-210-186	wheel rack		1
68	GB97.1-8	Plain washer 8		8
69	GB6170-M8	Nut M8		4
70	GB5783-M8X25	bolt M8X25		12
71	GB93-8	Spring washer 8		12
72	GEO_UCF205	Bearing with flange UC205		2
73	FMN-210-030	backup roll		1
74	200.56.011	Lock pin		8
75	FMR120.115A	(H=2) adjusting ring		4

Pos	Code	Description	NOTE	Q.
76	FMR120.00.115	(H=6) adjusting ring		4
77	FMR120.115D	(H=25) adjusting ring		4
78	FMR120.00.115b	(H=32) adjusting ring		4
79	FMR120.00.115a	(H=12) adjusting ring		4
80	GB5782-M10X85	Bolt M10x85		6
81	FM120.00.015a	wheel brackets		2
82	GB276-6205-Z	Bearing 6205-Z		8
83	FM120.00.162	bushing		5
84	FMN-210-027	wheel fork		4
85	DIN985-M8	nut M8		20
86	FMN-210-023-JL	wheel		4
87	FMN-210-164	tyre		4
88	FM120.00.165	bushing		4
89	FM120.00.166	sleeve		4
90	FM120.00.161	rim		4
91	FM120.00.161a	rim		4
92	GB5783-M8X35	bolt M8x35		20
93	GB5782-M12X110	Bolt M12x110		4



Pos	Code	Description	NOTE	Q.
1	FMN-210-C02	cover plate		1
2	GB5783-M8X16	bolt M8X16		4
3	CBW-00-011B	breath plug 3/8		1
4	FMN-210-C11	input shaft gear		1
5	TZDP-52-40-2	52x40x2 adjusting washer		1
6	GB276-6208	Bearing 6208		2
7	FMN-210-119	gear box case		1
8	GB1096-A-12X8X50	A 12x50 key		1
9	FMN-210-C01	input shaft		1
10	GB276-6207	Bearing 6207		2
11	TZDP-72-60-1	72x60x1 adjusting washer		2
12	GB893.1-72	Seeger ring 72		2
13	CFW-35X72X10	FB oil seal 35X72X10		1
14	NFG-RCA-72X10	Blanking cap 72x10		1
15	FMN-210-C03	space ring		1
16	FMN-210-C10	driving gear		1
17	ZBT32001.3-ZG3/8-19"	ZG3/8-19 cap plug		1
18	TZDP-52-40-1	52x40x1 adjusting washer		1
19	GB894.1-40	Check ring 40		1
20	CFW-40X80X12	Oil seal 40X80X12		1
21	205SL.C03	80x40x1mm plate		1
22	GB893.1-80X2-WE	80x2circlip		1
23	GB97.1-24	Plain washer 24		1
24	FM120.C01	M24x2x18 nut		1
25	GB91-5X50	cotter pin 5x50		1