

AG

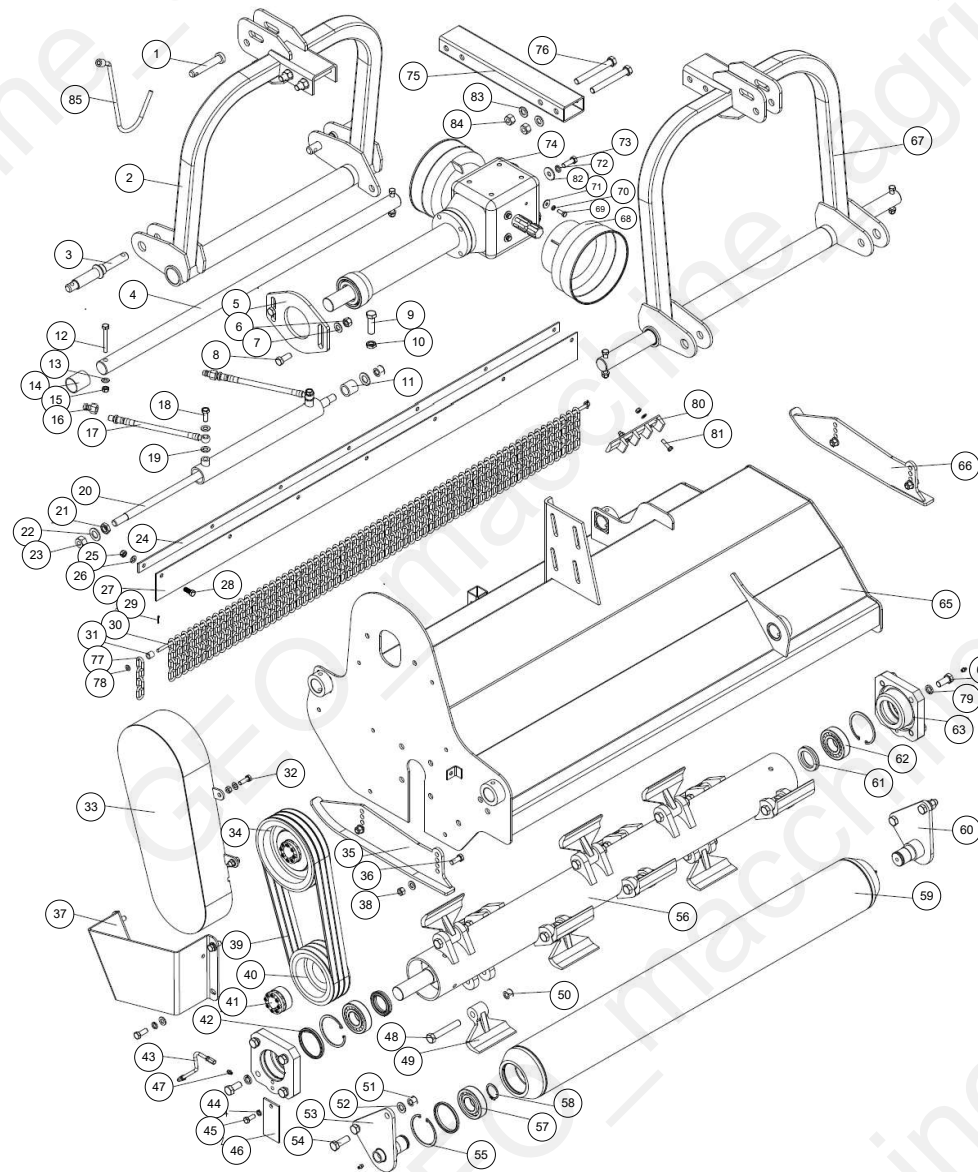


Table of Contents

Tavola	Page
AG	3
AG_2010-2014	12

AG





Pos	Code	Description	NOTE	Q.
1	AGF140.109	Pin shaft		1
2	AG220.015	Hanging weldment (B)		1
3	AGF140.210	Pin for lifting		2
4	AG140.103	Guide rail AG140-160		2
4	AG220.103	Guide rail AG180-240		2
5	AG220.101	Tension plate		1
6	GB6184-86/M14	Locking nut M14		2
7	GB97.1-85/14	Plain washer 14		2
8	GB5783-86/M14X35	Bolt M14x35		2
9	GB5786/M16X1.5X55	Bolt M16X1.5X55		1
10	GB6173-86/M16x1.5	Nut M16x1.5		1
11	EFGCH125.101	Sleeve		1
12	GB5782-86/M12X110	Bolt M12x110		4
13	GB97.1-85/12	Plain washer 12		8
14	SF-2/65X70X40	Bushing 65X70X40		4
15	GB6184-86/M12	Locking nut M12		4
16	EFGCH125.013	Quick connector R1/2"		2
17	AG220.020	Oil pipe		2
18	GB3451/M12X1.25X30	Bolt M12X1.25X30		2
19	GB3451-86/12	Washer 12		4
20	AG140.019	Slippage cylinder 140-160		1
20	AG220.019	Slippage cylinder 180-240		1
21	GB6173-86/M18X1.5	Nut M18X1.5		1
22	GB97.1-85/18	Plain washer 18		2
23	GB6184-86/M18X1.5	Locking nut M18X1.5		2

Pos	Code	Description	NOTE	Q.
24	AGF140.206	Press plate AG 140		1
24	AGF160.206	Press plate AG 160		1
24	AGF180.206	Press plate AG 180		1
24	AGF200.206	Press plate AG 200		1
24	AGF220.206	Press plate AG 220		1
25	GB6184-86/M10	Locking nut M10		37
26	GB97.1-85/10	Plain washer 10		37
27	AGF140.208	Rubber plate AG 140		1
27	AGF160.208	Rubber plate AG 160		1
27	AGF180.208	Rubber plate AG 180		1
27	AGF200.208	Rubber plate AG 200		1
27	AGF220.208	Rubber plate AG 220		1
28	GB5783-86/M10X25	Bolt M10x25		10
29	GB/T91-2000/2.5X16	Splitpin 2.5X16		2
30	AGF140.207	Shaft for Link AG 140		1
30	AGF160.207	Shaft for Link AG 160		1
30	AGF180.207	Shaft for Link AG 180		1
30	AGF200.207	Shaft for Link AG 200		1
30	AGF220.207	Shaft for Link AG 220		1
31	AGF140.111	Sleeve of chain		93
32	GB5783-86/M10X30	Bolt M10X30		4
33	GEO.600.10	GEO BELT COVER 600H 10cm		1
33	GEO.600.12	GEO BELT COVER 600H 12cm		1
34	AGF140.203	Big belt pulley 220mm 3 grooves		1
34	AGF220.203.4	Big belt pulley 220 mm 4 grooves		1

Pos	Code	Description	NOTE	Q.
35	AGF140.028	Base plate (L)		1
36	GB5783-86/M12X30	Bolt M12x30		8
37	AGF140.205	Belt pulley Cover 4 grooves		1
38	GB6184-86/M12	Locking nut M12		4
39	GB/T1154-97/B1280	BELT B1280 (B51)		4
40	AGF140.202	Small belt pulley 165mm 3 grooves		1
40	AGF220.202.4	Small belt pulley 165 mm 4 grooves		1
41	JB/T7934Z3/40X80	Swellable sleeve 40X80		2
42	GB13871-94/40X90X10	Oil seal 40X90X10		3
43	AGF140.034	Little Grease pipe		1
44	GB93-87/10	Spring washer 10		1
45	GB5783-86/M10X25	Bolt M10x25		10
46	AGF140.209	Fender		1
47	GB1152-89/M10X1	Oil cup M10X1		4
48	GB5785-86/M16X1.5X100	Bolt M16X1.5X100		20
49	EFAG.140.103	Hammer AG 16,5		20
50	GB6185.2-86/M16X1.5	Locking nut M16X1.5		20
51	GB6184-86/M16	Locking nut M16		4
52	GB97.1-85/16	Plain washer 16		4
53	AGF140.032	Supporting for roller (L)		1
54	GB5783-86/16X45	Bolt M16X45		4
55	GB893.1-86/90	Circlip 90		4
56	AGF140.023	Blade axle weldment AGF140		1
56	AGF160.023	Blade axle weldment AGF160		1
56	AGF180.023	Blade axle weldment AGF180		1

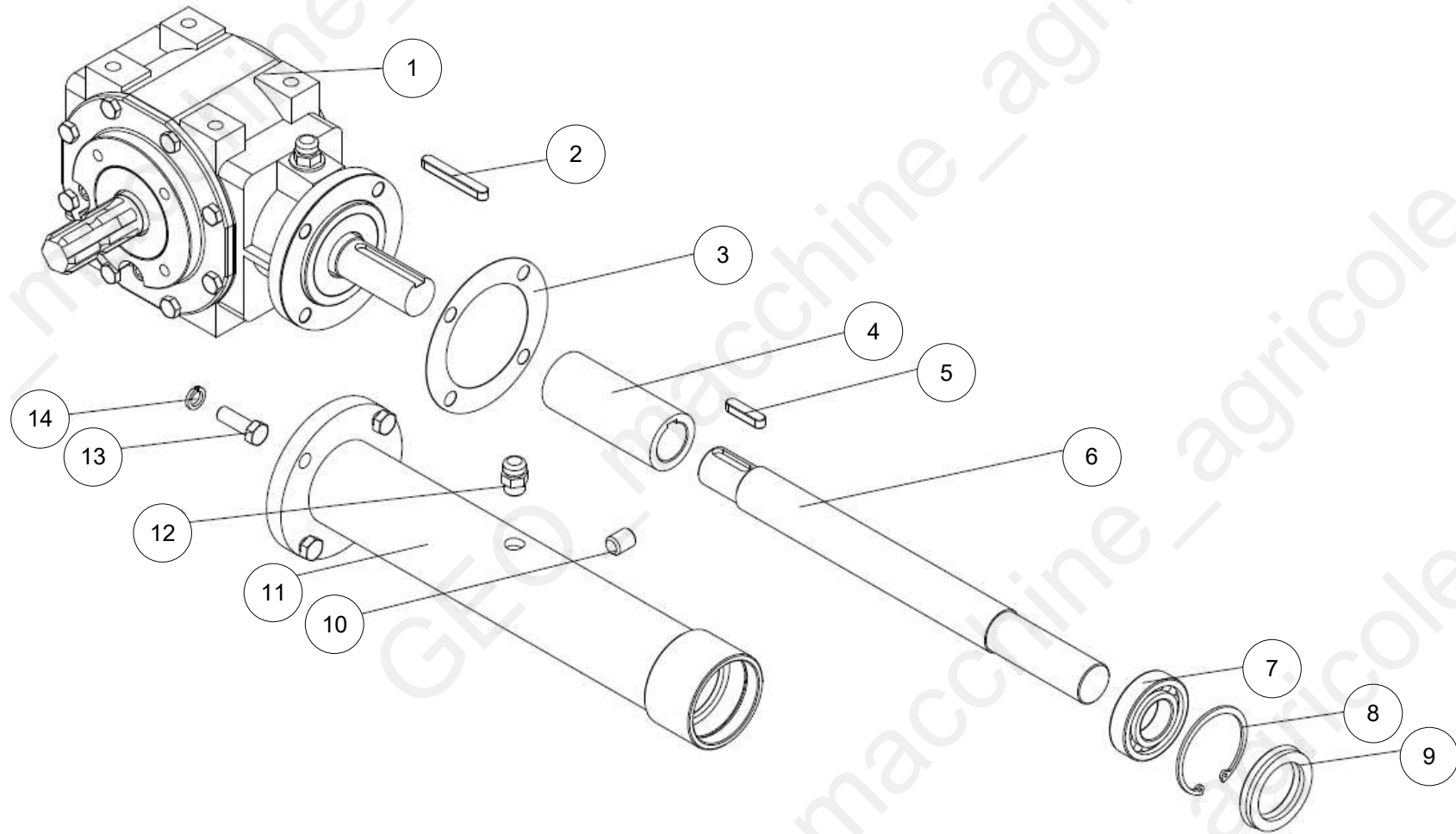
Pos	Code	Description	NOTE	Q.
56	AGF200.023	Blade axle weldment AGF200		1
56	AGF220.023	Blade axle weldment AGF220		1
57	GB/T276-94/6308	Bearing 6308		2
58	GB894.1-86/40	Circlip 40		2
59	AGF140.022	Roller weldment 140		1
59	AGF160.022	Roller weldment 160		1
59	AGF180.022	Roller weldment 180		1
59	AGF200.022	Roller weldment 200		1
59	AGF220.022	Roller weldment 220		1
60	AGF140.033	Supporting for roller (R)		1
61	GB13871-94/45X80X10	Oil seal 45X80X10		2
62	GB/T281-94/1308	Bearing1308		2
63	AGF140.104	Bearing seat		2
64	GB5783-86/M16X35	Bolt M16X35		8
65	AG140.011	The cover weldment AG140		1
65	AG160.011	The cover weldment AG160		1
65	AG180.011	The cover weldment AG180		1
65	AG200.011	The cover weldment AG200		1
65	AG220.011	The cover weldment AG220		1
66	AGF140.029	Base plate (R)		1
67	AG220.016	Hanging weldment (F)		1
68	FM150.120	Guard shade		1
69	GB5783-86/M8X20	Bolt M8x20		4
70	GB93-87/8	Spring washer 8		4
71	GB96-85/8	Plain washer 8		4

Machine: AG

Assembly: AG_parte 1



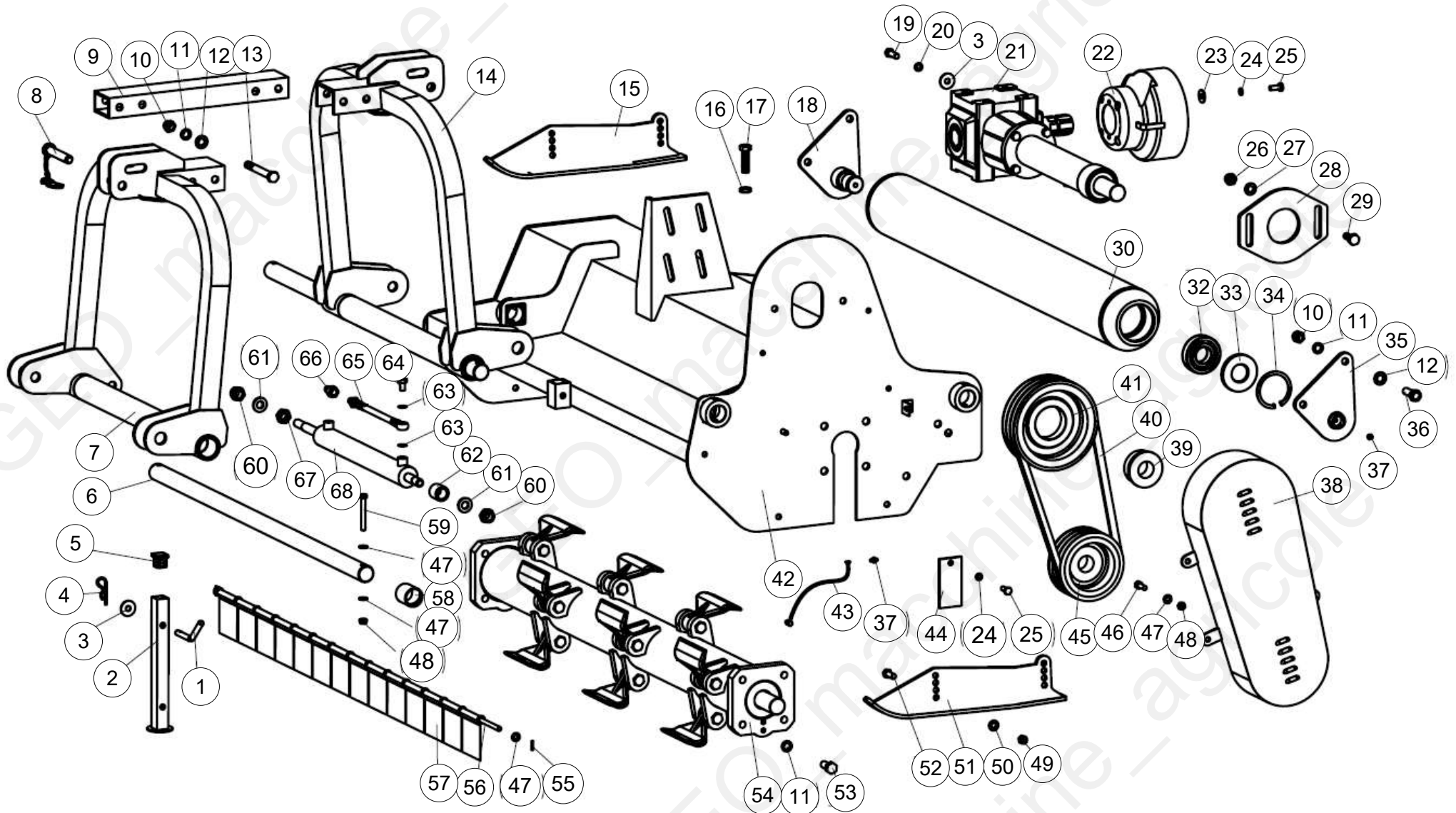
Pos	Code	Description	NOTE	Q.
72	GB93-87/12	Spring washer 12		8
73	GB5783-86/M12X35	Bolt M12×35		4
75	AG220.018	Connecting tube		1
76	GB5782-86/.M24X140	Bolt M24X140		4
77	AGF140.030	Chain units		94
78	GB97.1-85/8	Plain washer 8		2
79	GB93-87/16	Spring washer 16		8
80	AGF140.204	Cast plate		12
81	GB5783-86/M10X35	Bolt M10X35		24
82	GB96-85/12	Plain washer 12		4
83	GB97.1-85/24	Plain washer 24		4
84	GB6184-86/M24	Locking nut M24		4
85	EFGC125.124	Hook		1



Pos	Code	Description	NOTE	Q.
1	XH50.300Z.01W	Gearbox assembly		1
2	GB1096-79/A10X70	Key A10x70		1
3	EFGC125.166	Paper gasket		1
4	EFGC125.167	Connected sleeve		1
5	GB1096-79/A10X40	Key A10X40		1
6	AG140.102	Shaft 140-160		1
6	AG220.102	Shaft AG180-240		1
7	GB/T276-94/6208	Bearing 6208		1
8	GB893.1-86/80	Circlip 80		1
9	GB13871-40x80x10	Oil seal 40×80×10		1
10	ZBT.32001.3-87	Retainer ZG3/8"		1
11	AG140.014	Shaft tube weldment AG140-160 500mm		1
11	AG220.014	Shaft tube weldment AG180-240 800mm		1
12	EFGC125.169	Bolt of plug screw 1/2"		1
13	GB5783-86/M12x35	Bolt M12×35		4
14	GB93-87/12	Spring washer 12		12

AG_2010-2014





Pos	Code	Description	NOTE	Q.
1	EF100.00.111	square angle pin		1
2	EFAG140.015	Supporting frame		1
3	GB96-85-12	Plain washer 12		5
4	1G-150-01-142	R Pin		1
5	EF100.00.117	Cover		1
6	EFAG140.104	Guide rail 140		2
6	EFAG160.104	Guide rail 160		1
6	EFAG180.104	Guide rail 180		1
6	EFAG200.104	Guide rail 200		2
6	EFAG220.104	Guide rail 220		2
7	EFAG140.011	Hanging weldment (B)		1
8	EF100.00.019	Support		1
9	EFAG140.110	Connecting tube		1
10	GB6184-86-M16	Locking nut M16		20
11	GB93-87-16	Spring lock washer 16		28
12	GB97.1-85-16	Plain washer 16		12
13	GB5782-86-16-130	Bolt M16X130		4
14	EFAG140.018	Hanging weldment (F)		1
15	EFGC120.014	Base plate (R)		1
16	GB6173-86-16-1.5	Nut M16x1.5		1
17	GB5786-86-16-1.5-55	Bolt M16X1.5X55		1
18	EFAG140.022	Supporting for roller (R)		1
19	GB5783-86-12-35	Bolt M12X35		4
20	GB93-87-12	Spring lock washer 12		4
22	EF100.00.112	Guard Shade		2

Pos	Code	Description	NOTE	Q.
23	GB96-85-10	Plain washer 10		8
24	GB93-87-10	Spring lock washer 10		9
25	GB5783-86-10-25	Bolt M10X25		9
26	GB6184-86-M14	Locking nut M14		2
27	GB97.1-85-14	Plain washer 14		2
28	EFAG140.108	Adjusting plate		1
29	GB5783-86-14-35	Bolt M14X35		2
30	EFAF220.017	roller weldment 220		1
30	EFAG140.017	Roller weldment 140		1
30	EFAG160.017	Roller weldment 160		1
30	EFAG180.017	Roller weldment 180		1
30	EFAG200.017	Roller weldment 200		1
31	GB894.1-86-40	Circlip 40		2
32	GB/T276-94-6308	Bearing 6308		2
33	GB13871-40X90X10	Oil seal 40x90x10		3
34	GB893.1-86-90	Circlip 90		4
35	EFAG140.020	Supporting for roller (L)		1
36	GB5783-86-16-45	Bolt M16X45		4
37	GB1152-89/M10X1	Oil cup M10X1		4
38	EFAG140.012	Belt cover		1
39	JB/T7934Z3/40X80	Swellable sleeve 40X80		2
40	GB/T1154-97/B1280	BELT B1280 (B51)		3
41	AGF140.203	Big belt pulley 220mm 3 grooves		1
41	AGF220.203.4	Big belt pulley 220 mm 4 grooves		1
42	EFAG140.013	The cover weldment 140		1

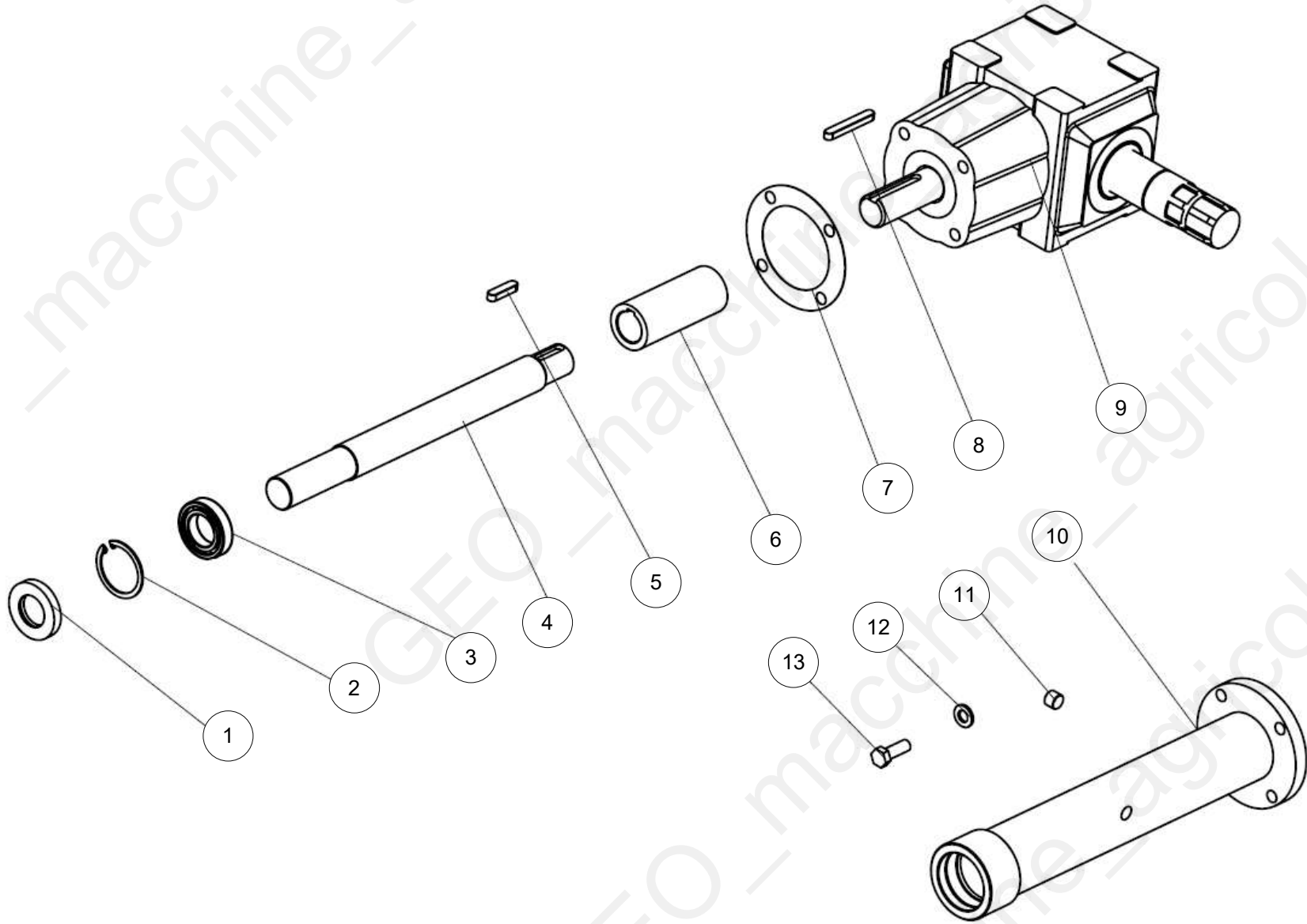
Pos	Code	Description	NOTE	Q.
42	EFAG160.013	The cover weldment 160		1
42	EFAG180.013	The cover weldment 180		1
42	EFAG200.013	The cover weldment 200		1
42	EFAG220.013	the cover weldment 220		1
43	AGF.001.046	Union elbow M10X1		1
44	EFAG140.106	Fender		1
45	AGF140.202	Small belt pulley 165mm 3 grooves		1
45	AGF220.202.4	Small belt pulley 165 mm 4 grooves		1
46	GB5783-86-10-30	Bolt M10X30		2
47	GB97.1-85-10	Plain washer 10		25
48	GB6184-86_M10	Locking nut M10		4
49	GB6184-86-M12	Locking nut M12		4
50	GB97.1-85-12	Plain washer 12		4
51	EFGC120.013	Base plate (L)		1
52	GB5783-86-12-30	Bolt M12X30		4
53	GB5783-86-26-35	Bolt M16X35		8
55	GB879-86/4X22	Elastic cylindrical pin 4x22		2
56	EFAFG220.101	shaft for tender 220		1
56	EFAG140.101	Shaft for fender 140		1
56	EFAG160.101	SHaft for fender 160		1
56	EFAG180.101	Shaft for fender 180		1
56	EFAG200.101	Shaft for fender 200		1
57	EF100.00.122	Fender		14
58	EFAG140.105	Bushing		4
59	GB5783-86-10-80	Bolt M10X80		4

Machine: AG_2010-2014

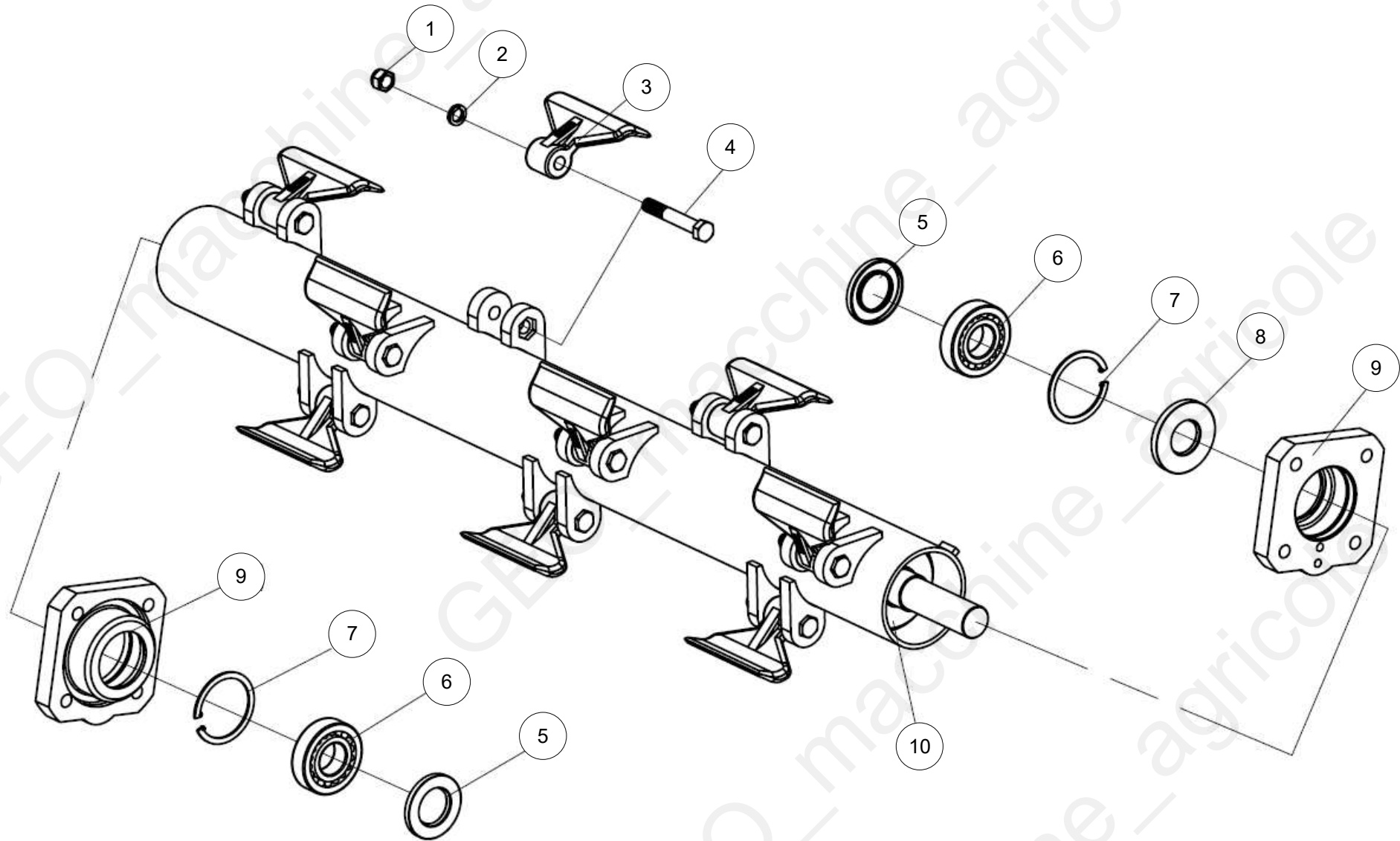
Assembly: AG_old_parte 1



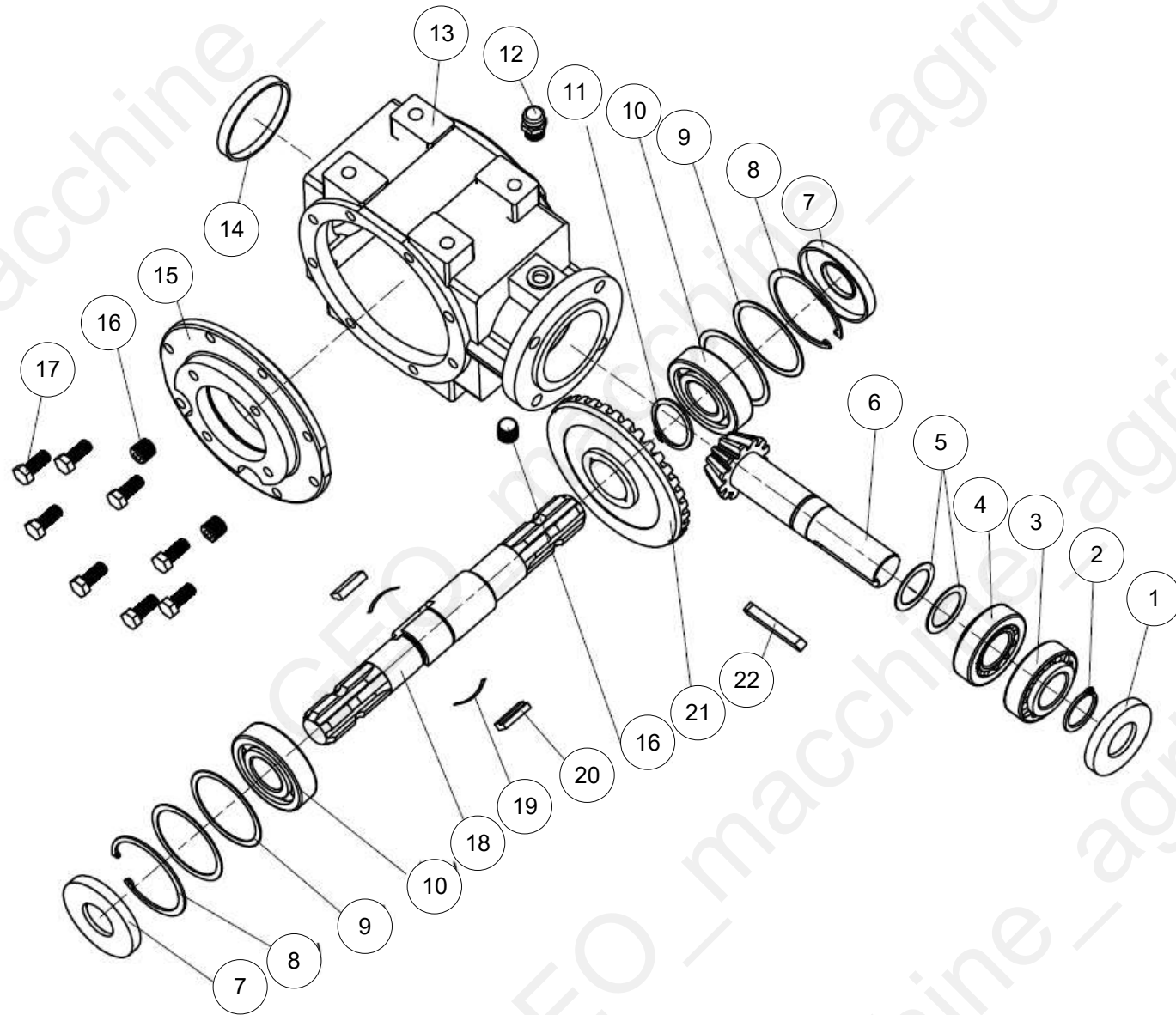
Pos	Code	Description	NOTE	Q.
60	GB6184-86-M18-1.5	Locking nut M18X1.5		2
61	GB97.1-85-18	Plain washer 18		2
62	EFGCH120.101	Sleeve		1
63	GB3451-86/12	Washer 12		4
64	GB3451-83-M12X1.25	Bolt M12X1.25		2
65	EFGCH120.011	Oil pipe		2
66	QC-R1/2-M	Quick Connector R1/2		2
67	GB6173-86-18-1.5	Bolt 18x1.5		1
68	EFAG140.016	Slippage cylinder		1



Pos	Code	Description	NOTE	Q.
1	GB13871-40X68X10	Oil seal FB40X68X10		1
2	GB893.1-86-68	Circlip 68		1
3	GB/T276-94-6008	Bearing 6008		1
4	EFAG140.166	Shaft ag140		1
4	EFAG220.166	Shaft ag 220		1
5	GB1096-79-10-40	Key A10X40		1
6	EFGC120.132	Connected sleeve		1
7	EFGC120.131	Paper gasket		1
8	GB1096-79-10-70	Key A10X70		1
9	XH50.003Z.01	Gearbox assembly		1
10	EFAG140.026	Shaft tube weldment 400mm		1
10	EFAG220.026	Shaft tube weldment 800mm		1
11	ZBT.32001.3-87	Retainer ZG3/8"		2
12	GB93-87-12	Spring lock washer 12		4
13	GB5783-86-12-35	Bolt M12X35		4



Pos	Code	Description	NOTE	Q.
1	GB6184-86-M16	Locking nut M16		12
2	GB93-87-16	Spring lock washer 16		12
3	EFAG.140.103	Hammer AG 16,5		12
4	GB5782-86-16-100	Bolt M16x100		12
5	GB13871-45X80X10	Oil seal 45X80X10		2
6	GB/T281-94	Bearing1308		2
7	GB893.1-86-90	Circlip 90		2
8	GB13871-40X90X10	Oil seal 40x90x10		1
9	EFAG140.102	Bearing seat		2
10	EFAG140.019	Blade axle weldment 140		1
10	EFAG160.019	Blade axle weldment 160		1
10	EFAG180.019	Blade axle weldment 180		1
10	EFAG200.019	Blade axle weldment 200		1
10	EFAG220.019	blade axle weldment 220		1



Pos	Code	Description	NOTE	Q.
1	8.7.3.00055	Oil seal (35x72x10)		1
2	8.5.1.00583	Seeger ring		1
3	BZA00174	Ball bearing		1
4	BZF00228	Wimble bearing		1
5	0.259.7505.00	Washer		3
6	0.304.5011.00	Gear axle		1
7	8.7.1.00315	Oil seal (35x80x10)		2
8	8.5.2.00030	Seeger ring		2
9	0.267.7505.00	Washer		4
10	BZA00192	Bearing (6307)		2
11	8.5.1.00712	Seeger ring		1
12	8.6.7.00161	Oiling stopper		1
13	XH50.0300.00	Gearbox		1
14	8.7.0.00790	Cover (80 10)		1
15	XH50.1300.00	Cover		1
16	8.6.6.00201	Plug R1 3/8"		3
17	BAA00204	Bolt		8
18	0.311.4200.00	Input axes		1
19	XH50.25	Spring patch		2
20	1321001	Key		2
21	0.311.6200.00	Wimble gear		1
22	BJA00229	Key		1