

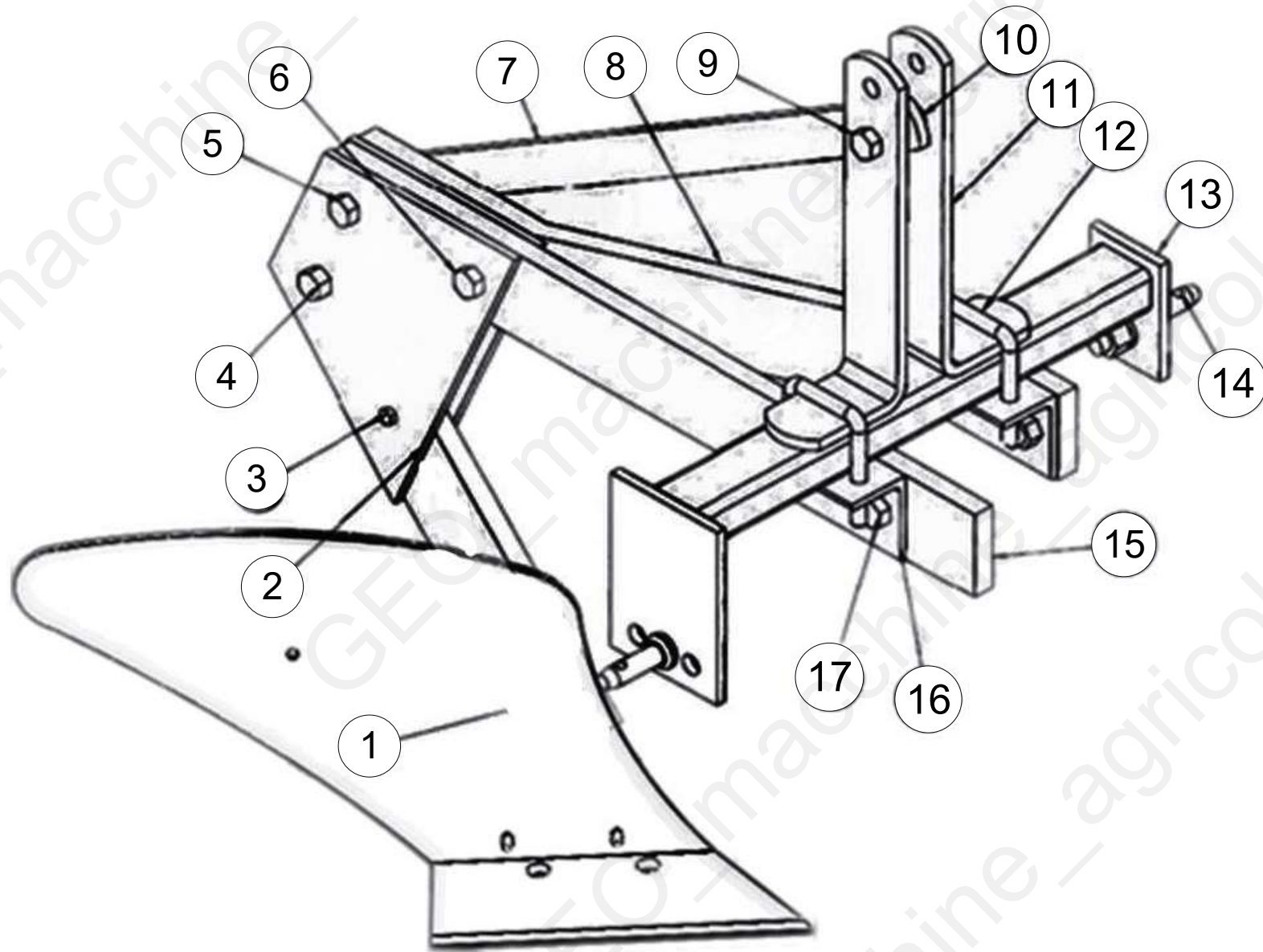
BP



GEO Italy S.R.L.

Table of Contents

Tavola	Page
BP_parte 1	3
BP_parte 2	5

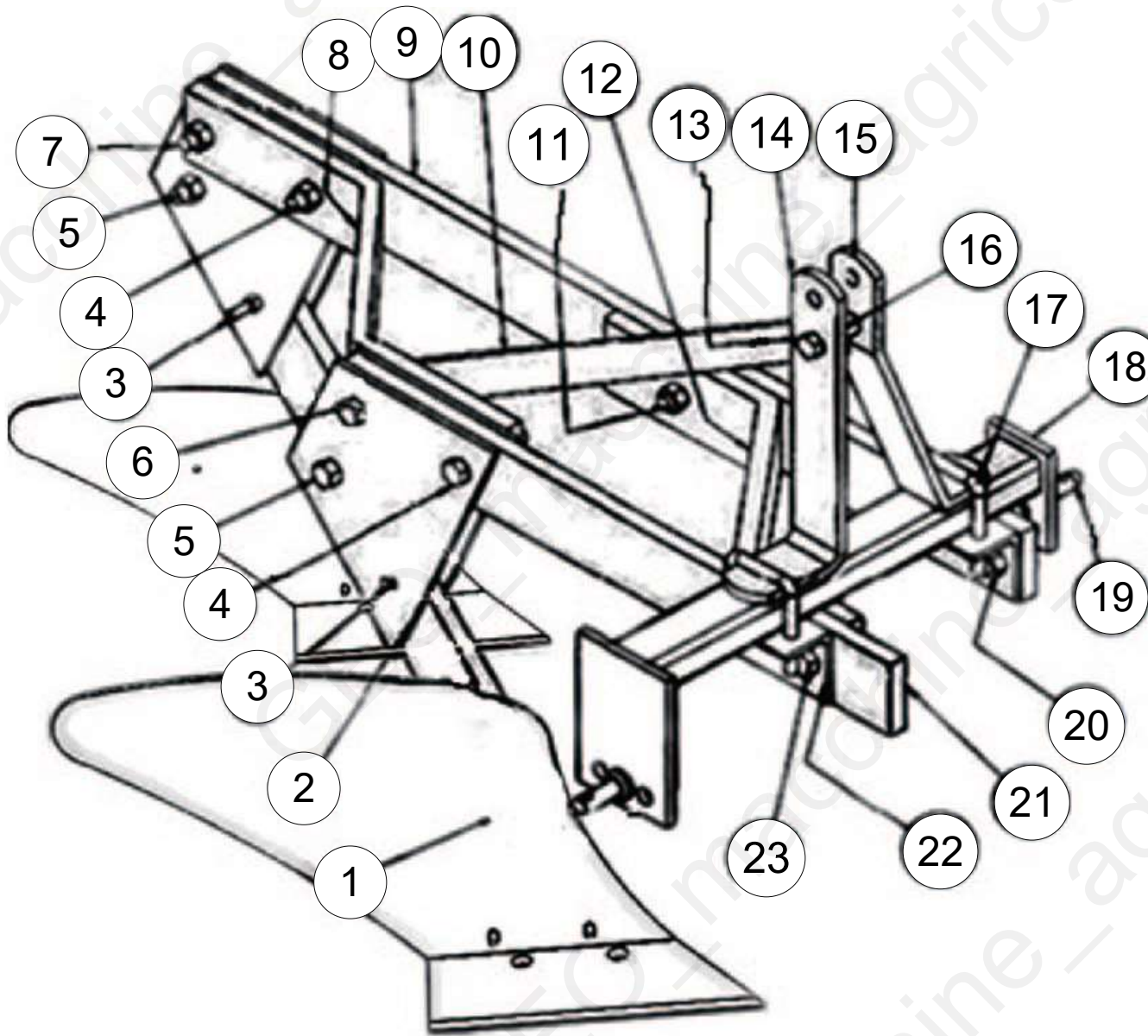


Machine: BP

Assembly: BP_parte 1



Pos	Code	Description	NOTE	Q.
1	BP-01	Plough		1
2	BP-02	Support Frame		1
3	BP-03	pin		1
4	BP-04	Bolt		1
5	BP-05	bolt		1
6	BP-06	Bolt		1
7	BP-07	Three Point hitch Support		1
8	BP-08	Left Frame		1
9	BP-09	Up Pin		1
10	BP-10	Nut		1
11	BP-11			1
12	BP-12	U bolt		1
13	BP-13			1
14	BP-14	Low Pin		1
15	BP-15	Right Frame		1
16	BP-16	Right Frame		1
17	BP-17			1



Machine: BP

Assembly: BP_parte 2



Pos	Code	Description	NOTE	Q.
1	BP02-01			1
2	BP02-02			1
3	BP02-03			1
4	BP02-04			1
5	BP02-05			1
6	BP02-06			1
7	BP02-07			1
8	BP02-08			1
9	BP02-09			1
10	BP02-10			1
11	BP02-11			1
12	BP02-12			1
13	BP02-13			1
14	BP02-14			1
15	BP02-15			1
16	BP02-16			1
17	BP02-17			1
18	BP02-18			1
19	BP02-19			1
20	BP02-20			1
21	BP02-21			1
22	BP02-22			1
23	BP02-23			1