

MG



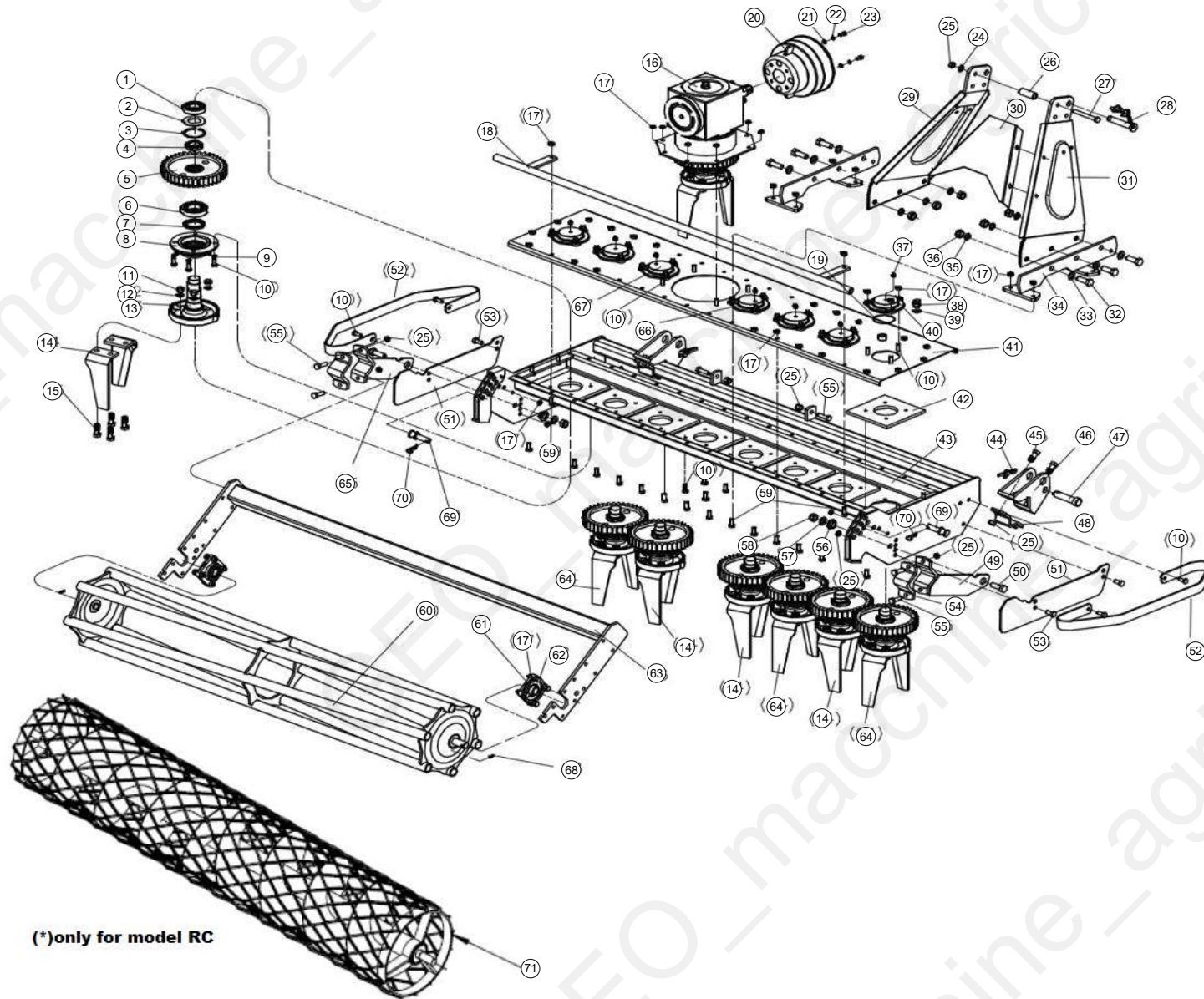
Table of Contents

Tavola	Page
MG	3
LXG - MG 2012 2016	12

MG



GEO Italy S.R.L.



Pos	Code	Description	NOTE	Q.
1	GB276-6207	Bearing 6207		7
2	LXG170.115	Big washer		7
3	GB893.1-72	Seeger ring 72		7
4	LXG170.116-1	Self locking nut M39x1.5		7
5	LXG170.118	Export gear		7
6	GB276-6209	Bearing 6209		7
7	GB13871-FB-50X68X10	Oil seal FB -50X68X10		7
8	LXG170.112	Rotor support down panel		7
9	GB93-10	spring washer 10		32
10	GB5783-M10X35	Bolt M10X35		32
11	GB6170-M14	Nut 14		32
12	GB93-14	spring washer 14		32
13	LXG170.110	Colter fixing seat		7
14	LXG170.109.1	Blade (L)		8
15	GB5783-86/M14x45	Bolt M14X45		32
17	DIN985-M10	Locking nut M10		77
18	LXG130.018-1	Staff guage jointing MG 130		1
18	LXG170.018-1	Staff guage jointing MG 170		2
18	LXG210.018-1	Staff guage jointing MG 210		3
19	GB3452.1-G-90X3.55	O-ring		1
20	FM120.00.199	PTO cover		1
21	GB97.1-8	Plain washer 8		2
22	GB93-8	Spring washer 8		2
23	GB5783-M8X16	bolt M8X16		2
24	GB97.1-12	plain washer 12		2

Pos	Code	Description	NOTE	Q.
25	DIN985-M12	nut M12		2
26	MZ105.130	Sleeve Spacer		2
27	GB5782-M12X100	Bolt M12x100		2
28	EF100.00.019-1	Above append pin		1
29	LXG170.029	Left Top Link Support Frame		1
30	LXG170.104	Reinforcement		1
31	LXG170.028	Right Top Link Support Frame		1
32	GB5782-M16X45	Bolt M16x45		6
33	GB97.1-16	Plain washer 16		6
34	LXG170.012	Impendend connect fixing joint		2
35	GB93-16	spring washer 16		6
36	GB6170-M16	Nut 16		6
37	GB1152-M10X1	Grease Nipple M10x1		8
38	CBW-00-011	breath plug		2
39	JB982-16	Combined oil seal 16		2
40	LXG170.102	Rotor support above panel		6
41	LXG110.015	Above cover boart jointing MG 110		1
41	LXG130.015	Above cover boart jointing MG 130		1
41	LXG170.015	Above cover boart jointing MG 170		1
41	LXG210.015	Above cover boart jointing MG 210		1
42	LXG170.132	Mat		8
43	LXG170.016	Engine rack jointing		1
44	200.56.011	Lock pin		2
45	GB5783-M12X40	bolt M12x40		4
46	LXG170.130	Stirrup		2

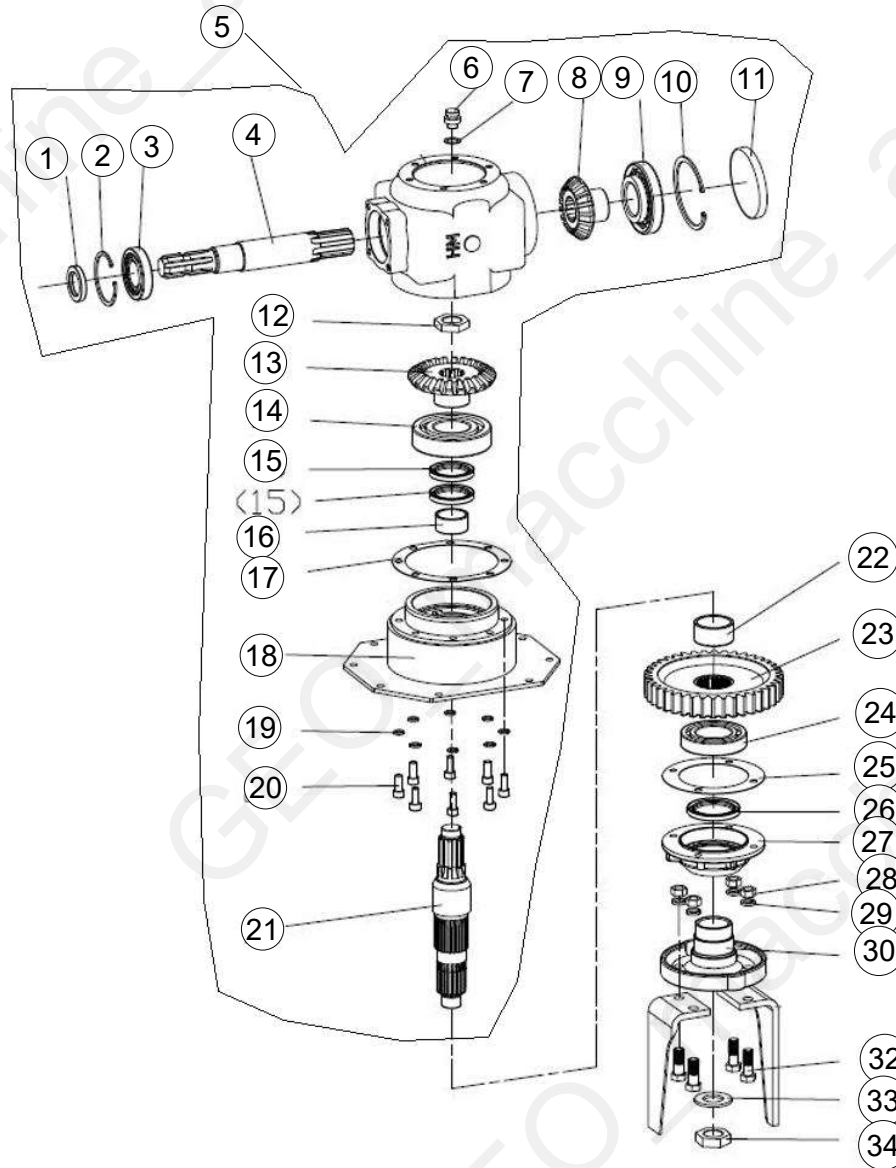
Pos	Code	Description	NOTE	Q.
47	LXG170.106	Lower Link Pin		2
48	LXG170.131	Stirrup		2
49	LXG170.021	Unknit rack right connect join		1
50	GB5783-M16X45	Bolt M16x45		2
51	LXG170.122	Shield		2
52	LXG170.101	Shield rack		2
53	GB5783-M12X30	Bolt M12X30		4
54	RT150.107	Lower Link Connection Plate		2
55	GB5783-M12X40	bolt M12x40		18
56	LXG170.108	Bush		2
57	GB97.1-16	Plain washer 16		2
58	DIN985-M16	Locking Nut M16		2
59	GB5783-M10X30	Bolt M10X30		10
60	LXG110.024	Unlnit implement jointing MG 110		1
60	LXG130.024	Unlnit implement jointing MG 130		1
60	LXG170.024	Unlnit implement jointing MG 170		1
60	LXG210.024	Unlnit implement jointing MG 210		1
61	UCF205	Squareness bearing UCF205		2
62	GB5783-M10X40	Bolt M10X40		8
63	LXG110.025	Unlnit implement connect rack jointing MG 110		1
63	LXG130.025	Unlnit implement connect rack jointing MG 130		1
63	LXG170.025	Unlnit implement connect rack jointing MG 170		1
63	LXG210.025	Unlnit implement connect rack 210		1
64	LXG170.109.2	Blade (R)		8
65	LXG170.017	Unknit rack left connect joint		1

Machine: MG

Assembly: MG_2019_parte 1



Pos	Code	Description	NOTE	Q.
66	LXG170.102	Rotor support above panel		1
67	LXG170.102	Rotor support above panel		1
68	GB879.1-8X35	pin 8x36		2
69	LXG170.250	pin		2
70	ZL-25.104	R pin		2
71	LXG110.024-RC	MG Cage Roller 110		1
71	LXG130.024-RC	MG Cage Roller 130		1
71	LXG170.024-RC	MG Cage Roller 170		1
71	LXG210.024-RC	MG Cage Roller 210		1



Pos	Code	Description	NOTE	Q.
1	CFW-40X80X12	Oil seal 40X80X12		1
2	GB893.1-80	Seeger ring 80		1
3	GB297-30208	Bearing 30208		1
4	1G-150.01.117-1	Transmission shaft		1
5	MG-150.01.118	Complete Gearbox MG		1
6	CBW-00-011	breath plug		1
7	JB982-16	Combined oil seal 16		2
8	1GN180.00.141	Big Bevel Gear 36-40		1
9	GB297-30310	Bearing 30310 cone		1
10	GB893.1-110	Seeger ring 110		1
11	NFG-RCA-110X12	Oil Cup Seal 110x12		1
12	GB812-M30X1.5	Lock Nut M30x1.5		1
13	1GN180.00.146	Small Bevel Gear 36-40		1
14	GB276-6311	Bearing 6311		1
15	CFW-50X68X8	FB oil seal 50X65X8		2
16	LXG170.138	Bushing		1
17	1G-150.01.114	Paper washer		1
18	LXG170.026	Setting		1
19	GB93-10	spring washer 10		8
20	GB70.1-M10X25	Bolt M10x25		8
21	LXG170.136	Output axles		1
22	LXG170.135	Bushing		1
23	LXG170.133	Output gear		1
24	GB276-6211	Bearing 6211		1
25	LXG170.128	Gasket		8

Machine: MG

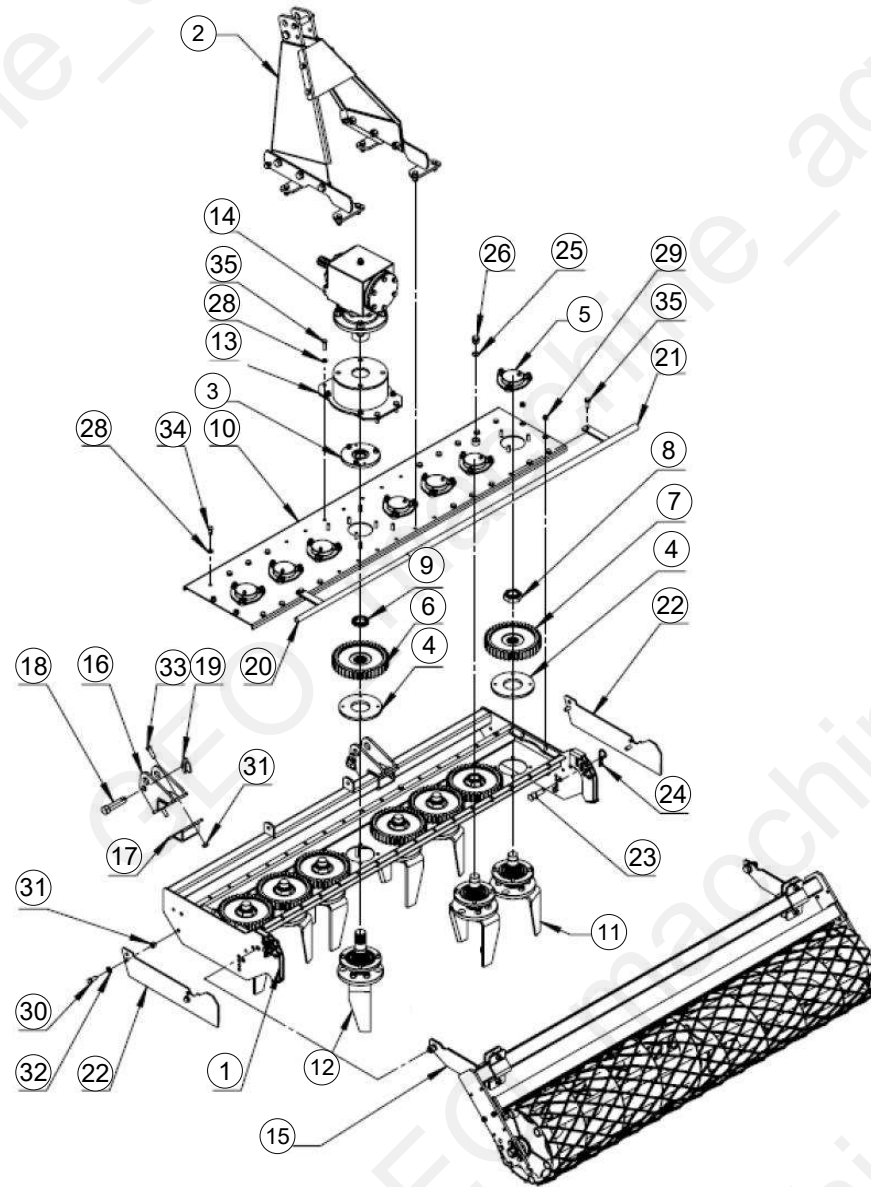
Assembly: MG_2019_parte 2



Pos	Code	Description	NOTE	Q.
26	GB13871-FB-60X80X10	Oil seal PB-60X80X10		1
27	LXG170.147	Bearing seat		1
28	GB6170-M14	Nut 14		32
29	GB93-14	spring washer 14		32
30	LXG170.126	Colter setting seat		1
32	GB5783-M14X40	Bolt M14X40		32
33	LXG170.125	Washer 30		1
34	GB812-M30X1.5	Lock Nut M30x1.5		1

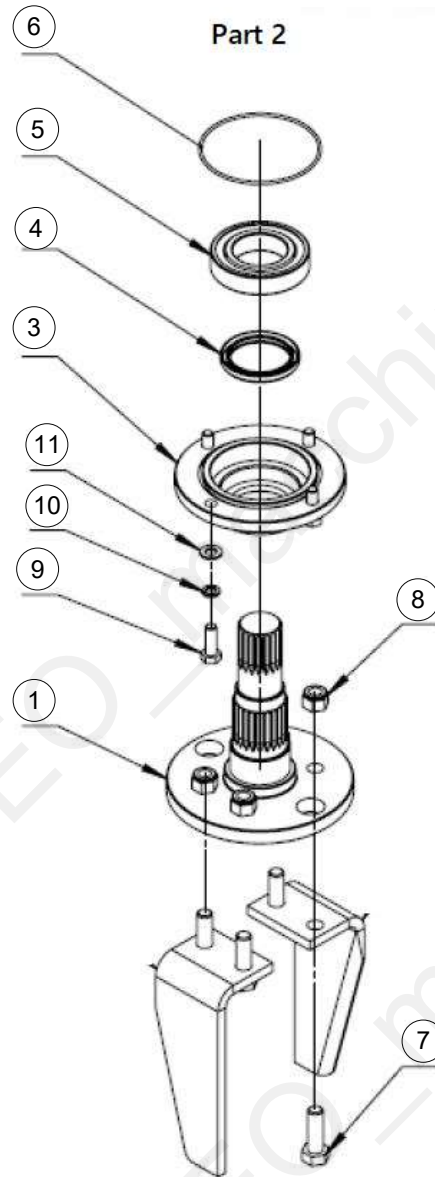
LXG - MG 2012 2016





Pos	Code	Description	NOTE	Q.
1	LXG110.00.011_1	MAIN FRAME-WMT LXG110		1
1	LXG130.00.011_2	MAIN FRAME-WMT LXG130		1
1	LXG190.00.011_3	MAIN FRAME-WMT LXG190		1
1	LXG210.00.011_4	MAIN FRAME-WMT LXG210		1
4	LXG170.00.114	PLATE MG		5
6	LGX170.00.110	DRIVING GEAR		1
7	LGX170.00.115	Gear MG		0
8	GB812-M39x1.5	Nut MG M39x1-5		1
9	GB812-M45x1.5	LOCKNUT M45x1.5		1
10	LXG110.00.014_1	COVER-WMT LXG110		1
10	LXG130.00.014_2	COVER-WMT LXG130		1
10	LXG190.00.014_3	COVER-WMT LXG190		1
10	LXG210.00.014_4	COVER-WMT LXG210		1
13	LXG170.00.015	MOUNTING-WMT		1
14	LXG170.10.001	GEAR BOX ASSEMBLY		1
16	LXG170.00.019	BRACKET-WMT		1
17	LXG170.00.105	BRACKET		2
18	LXG170.00.116	HITCHING PIN-LOWER		1
19	LP-12	Lock Pin 12		2
20	LXG110.00.016_1	GUARD BAR-INNER LXG110		1
20	LXG130.00.016_2	GUARD BAR-INNER LXG130		1
20	LXG190.00.016_3	GUARD BAR-INNER LXG190		1
20	LXG210.00.016_4	GUARD BAR-INNER LXG210		1
21	LXG110.00.017_1	GUARD BAR-OUTER LXG110		1
21	LXG130.00.017_2	GUARD BAR-OUTER LXG130		1

Pos	Code	Description	NOTE	Q.
21	LXG190.00.017_3	GUARD BAR-OUTER LXG190		1
21	LXG210.00.017_4	GUARD BAR-OUTER LXG210		1
22	LXG170.00.106	PLATE-SIDE		1
23	LXG170.00.118	PIN		2
24	RP-5	R-PIN 5		2
25	JBZQ4454-21x26	SEAL 21x26		2
26	JBZQ4451-G1	PLUG G1/2		2
28	GB.93-87-10	Washer 10		1
29	GB.6184-86-10	Locking Nut M10		1
30	GB5783-M12x30	Bolt M12X30		4
31	GB889.1-M12	Locking nut M12		8
32	GB97.1-12	plain washer 12		4
33	GB5783-M12x40	bolt M12x40		4
34	GB5783-M10X30	Bolt M10X30		1
35	GB5783-M10x35	Bolt M10X35		6



Pos	Code	Description	NOTE	Q.
1	LXG170.00.108	DRIVING DISC		1
3	LXG170.00.109	BEARING SEAT-DRIVE DISC		1
4	GB/T13871.1-55x72x8	SEAL FB55x72x8		1
5	GB/T276-6210-2RZ	BEARING 6210-2RZ		1
6	GB3452.1-106x2.65	O-RING 106x2.65		1
7	GB5783-M14x45	Bolt M14X45		4
8	GB889.1-M14	Locking nut M14		4
9	GB5783-M10x30	Bolt M10X30		4
10	GB93-10	spring washer 10		4
11	GB97.1-10	PLAIN WASHER 10		4

6

5

4

3

11

10

9

1

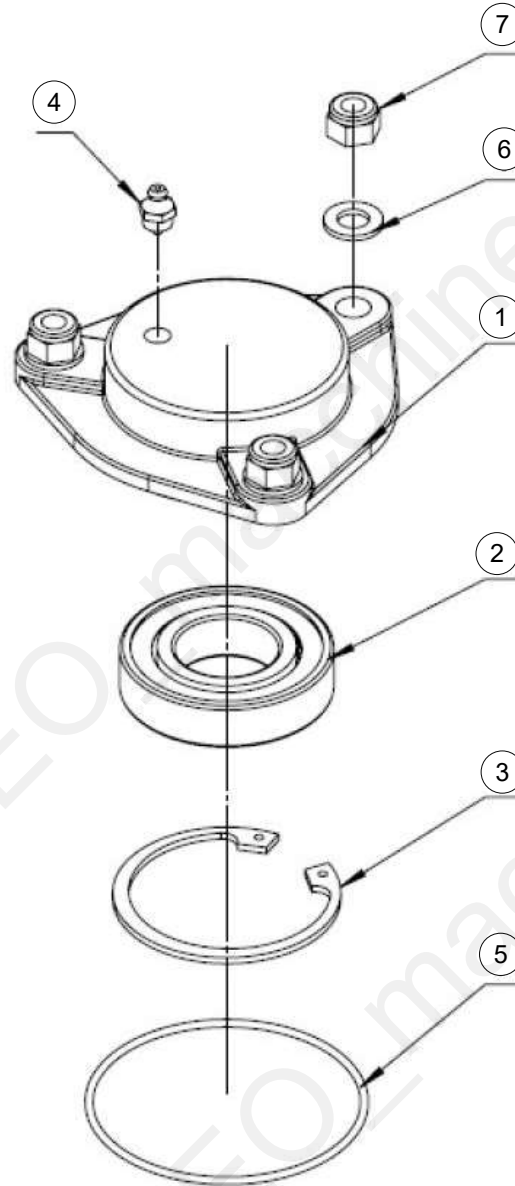
8

2

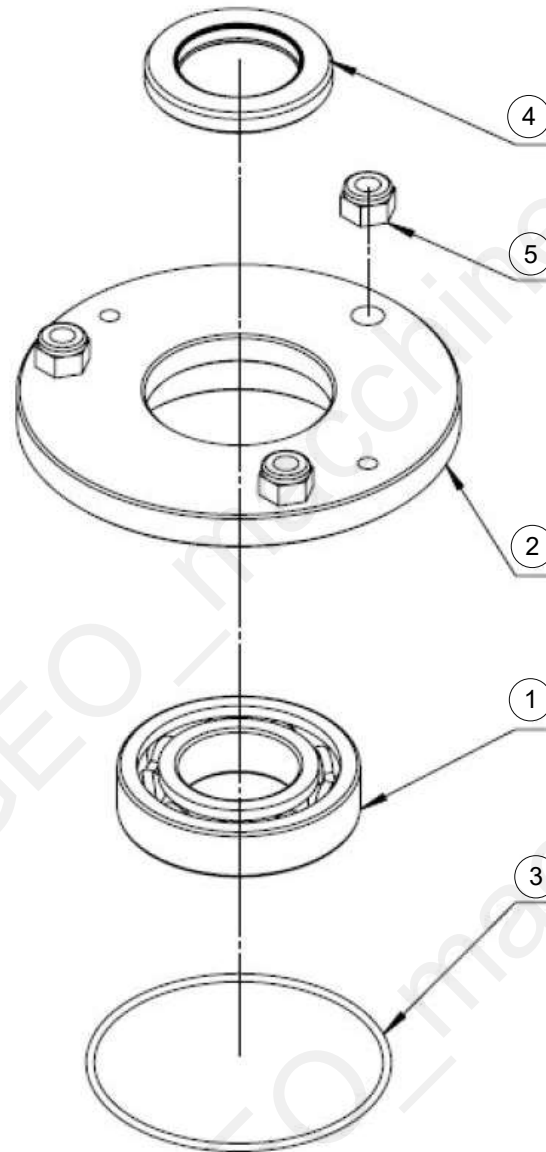
12

7

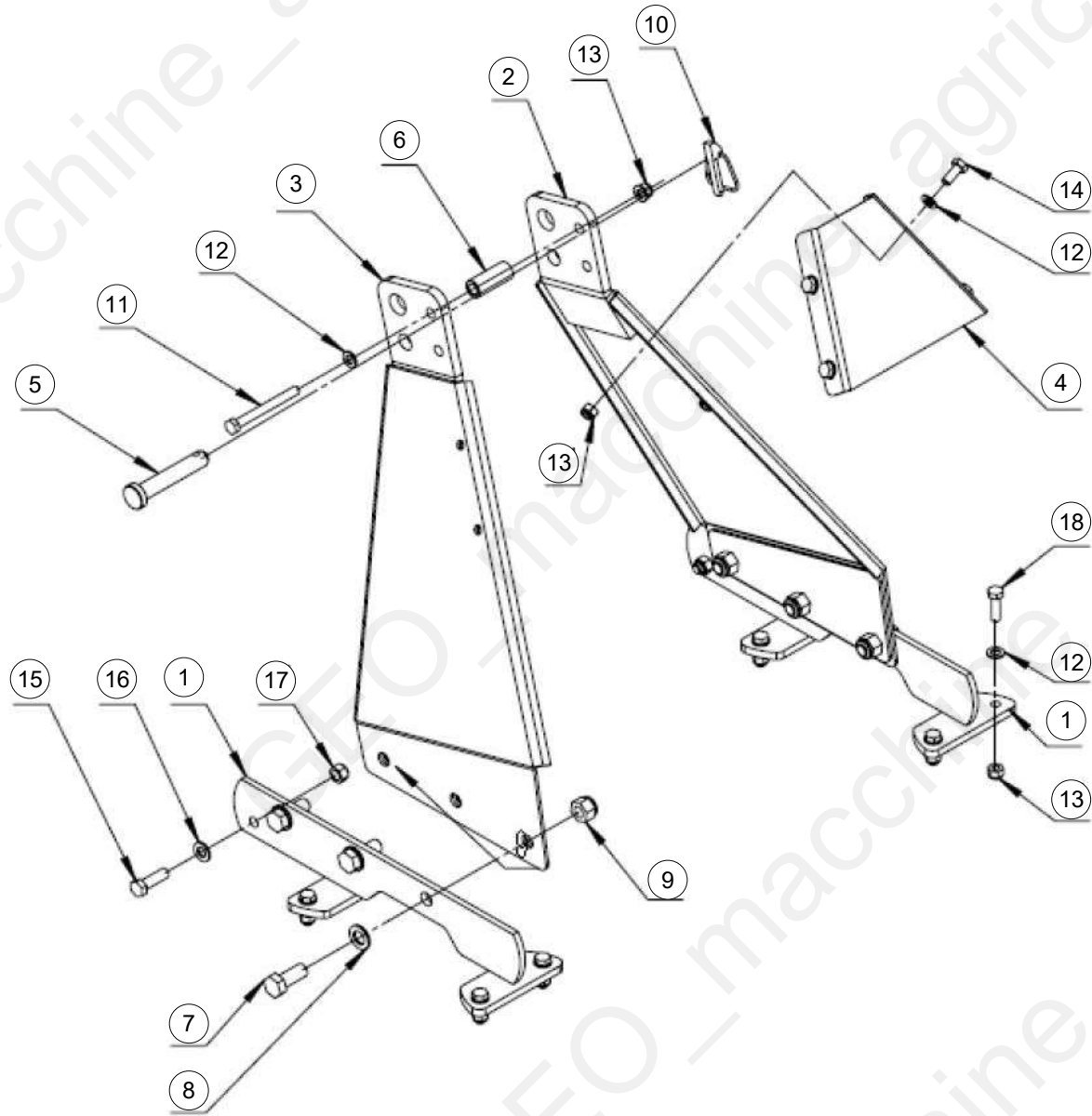
Pos	Code	Description	NOTE	Q.
1	LXG170.00.112	DRIVEN DISC		1
2	LXG170.109.1	Blade (L)		1
3	LXG170.00.113	BEARING SEAT-DRIVEN DISC		1
4	GB/T13871.1-50x68x8	SEAL FB50x68x8		1
5	GB/T276-6209-2RZ	BEARING 6209-2RZ		1
6	GB3452.1-106x2.65	O-RING 106x2.65		1
7	GB5783-M14x45	Bolt M14X45		4
8	GB889.1-M14	Locking nut M14		4
9	GB5783-M10x30	Bolt M10X30		4
10	GB93-10	spring washer 10		4
11	GB97.1-10	PLAIN WASHER 10		4
12	LXG170.109.2	Blade (R)		1



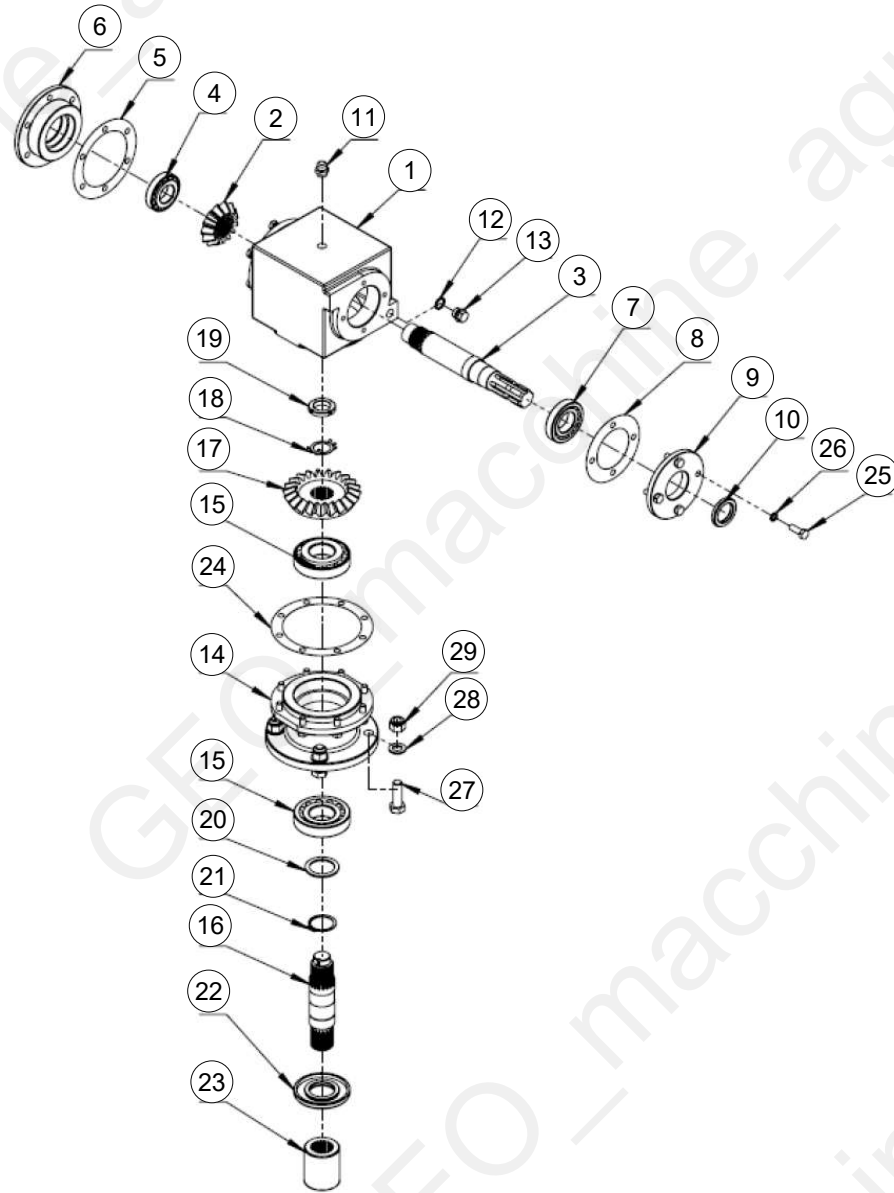
Pos	Code	Description	NOTE	Q.
1	LXG170.00.101	BEARING SEAT		1
2	GB/T276-6207-2Z	BEARING 6207-2ZR		1
3	GB893.2-B72	INTERNAL RETAINING 72		1
4	GB1152-M10x1	Grease Nipple M10x1		1
5	GB3452.1-90x95.3x2.65	O-RING 95.3x2.65		1
6	GB97.1-10	PLAIN WASHER 10		3
7	GB889.1-M10	Locking nut M10		3



Pos	Code	Description	NOTE	Q.
1	GB/T276-6208	BEARING 6208		1
2	LXG170.00.107	BEARING SEAT		1
3	GB3452.1-95x100.3	O-RING 95x100.3x2.65		1
4	GB/T13871.1-FB40x62x8	SEAL FB40x62x8		1
5	GB889.1-M10	Locking nut M10		3

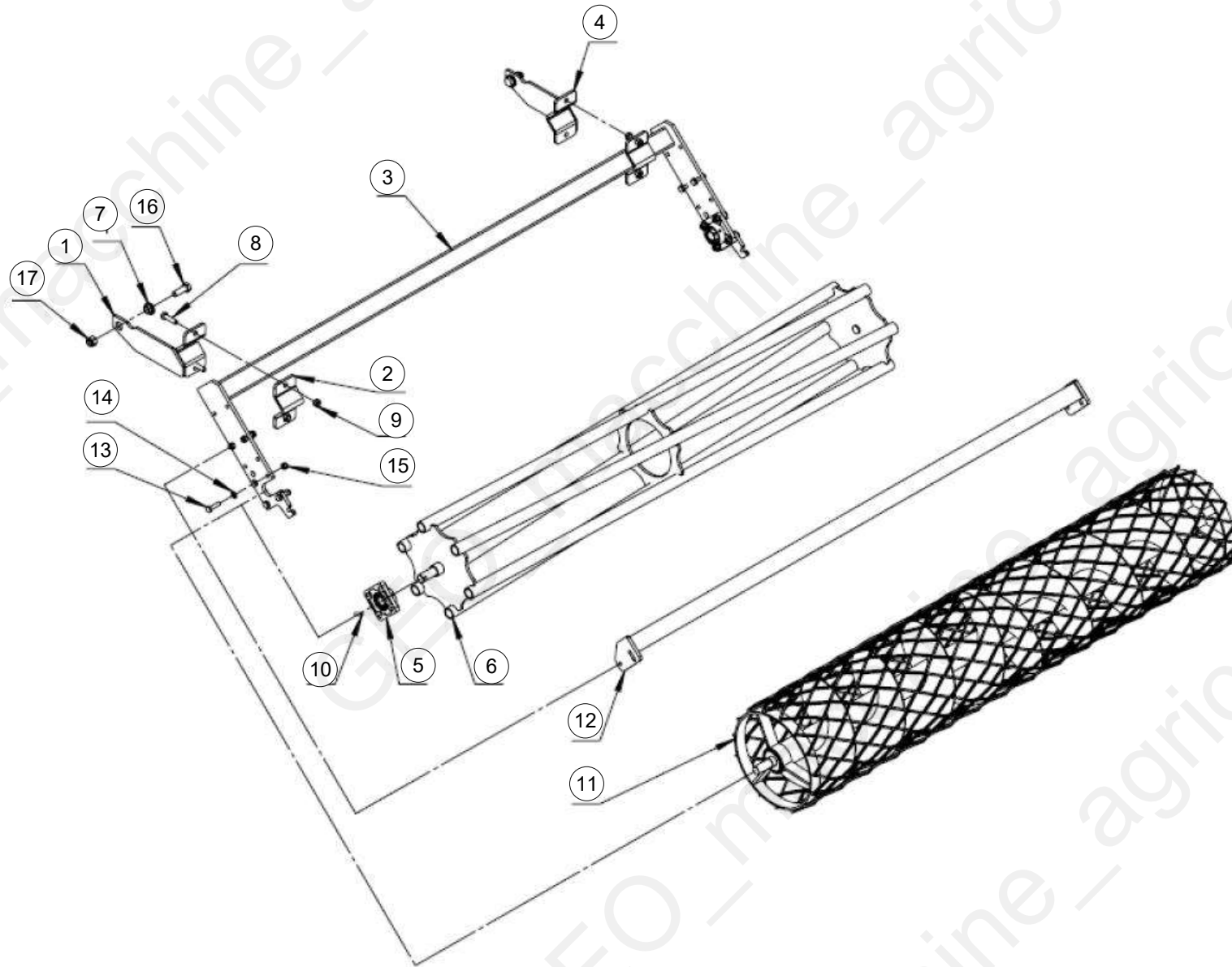


Pos	Code	Description	NOTE	Q.
1	LXG170.00.018	BASE-WELDMENT		1
2	LXG170.00.012	RIGHT SUPPORTING-WMT		1
3	LXG170.00.013	LEFT SUPPORTING-WMT		1
4	LXG170.00.117	LINK PLATE		1
5	EFGC125.123	HITCH PIN-TOP		1
6	LXG170.00.102	SPACER		1
7	GB5783-M16x40	Bolt M16x40		6
8	GB97.1-16	Plain washer 16		6
9	GB889.1-M16	Locking nut M16		6
10	LP-12	Lock Pin 12		1
11	GB5782-M10x100	Bolt M10x100		1
12	GB97.1-10	PLAIN WASHER 10		18
13	GB889.1-M10	Locking nut M10		13
14	GB5783-M10x25	Bolt M10X25		4
15	GB5783-M12x40	bolt M12x40		2
16	GB97.1-12	plain washer 12		2
17	GB889.1-M12	Locking nut M12		2
18	GB5783-M10x35	Bolt M10X35		8



Pos	Code	Description	NOTE	Q.
1	LXG170.10.111	HOUSING		1
2	LXG170.10.108	GEAR-INPUT		1
3	LXG170.10.110	SHAFT-INPUT		1
4	GB/T297-30207	BEARING 30207		1
5	LXG170.10.107	SEALING GASKET		1
6	LXG170.10.106	COVER-REAR		1
7	GB/T297-30208	BEARING 30208		1
8	LXG170.10.113	SEALING GASKET		1
9	LXG170.10.112	COVER-FRONT		1
10	GB/T13871.1-38x55x8	SEAL FB38x55x8		1
11	VENT.G3-8	VENT G3/8		1
12	JB.ZQ4454-18	GASKET 18		1
13	JB1000-BM18×1.5	PLUG M18x1.5		1
14	LXG170.10.104	BEARING SEAT		1
15	GB/T297-30309	BEARING 30309		2
16	LXG170.10.102	SHAFT-OUTPUT		1
17	LXG170.10.109	GEAR-OUTOUT		1
18	GB858-30	LOCK WASHER 30		1
19	GB/T812-30×1.5	ROUND NUT M30x1.5		1
20	LXG170.10.103	ADJUSTING WASHER		1
21	GB894.2-45	EXTERNAL RETAINING 45		1
22	GB/T13871.1-45x100x10	SEAL FB45x100x10		1
23	LXG170.10.101	LINKAGE		1
24	LXG170.10.105	SEALING GASKET		1
25	GB5783-M10x30	Bolt M10X30		18

Pos	Code	Description	NOTE	Q.
26	GB93-10	spring washer 10		18
27	GB5783-M16x50	Bolt M16x50		4
28	GB97.1-16	Plain washer 16		4
29	GB889.1-M16	Locking nut M16		4



Pos	Code	Description	NOTE	Q.
1	LXG170.20.012	ARM WELDMENT-LEFT		1
2	LXG170.00.105	BRACKET		2
3	LXG110.20.011	MOUNTING-WELDMENT LXG110		1
3	LXG130.20.011	MOUNTING-WELDMENT LXG130		1
3	LXG170.20.011	MOUNTING-WELDMENT LXG170		1
3	LXG210.20.011	MOUNTING-WELDMENT LXG210		1
4	LXG170.20.013	ARM WELDMENT-RIGHT		1
5	GB/T7810-UCFU205	BEARING ASSEMBLY UCFU205		2
6	LXG110.20.014	ROLLER WELDMENT-ROUND LXG110		1
6	LXG130.20.014	ROLLER WELDMENT-ROUND LXG130		1
6	LXG170.20.014	ROLLER WELDMENT-ROUND LXG170		1
6	LXG210.20.014	ROLLER WELDMENT-ROUND LXG210		1
7	LXG170.20.101	BUSH		2
8	GB5783-M12x45	Bolt M12X45		4
9	GB889.1-M12	Locking nut M12		4
10	GB879.2-8x32	SPRING COLUMN PIN 8x32		2
11	LXG110.20.015	ROLLER WMT-RASTER/OPTIONAL LXG110		1
11	LXG130.20.015	ROLLER WMT-RASTER/OPTIONAL LXG130		1
11	LXG170.20.015	ROLLER WMT-RASTER/OPTIONAL LXG170		1
11	LXG210.20.015	ROLLER WMT-RASTER/OPTIONAL LXG210		1
12	LXG110.20.020	SCRAPER WMT/OPTIONAL LXG110		0
12	LXG130.20.020	SCRAPER WMT/OPTIONAL LXG130		0
12	LXG170.20.020	SCRAPER WMT/OPTIONAL LXG170		0
12	LXG210.20.020	SCRAPER WMT/OPTIONAL LXG210		0
13	GB5783-M10x40	Bolt M10X40		12

Pos	Code	Description	NOTE	Q.
14	GB97.1-10	PLAIN WASHER 10		12
15	GB889.1-M10	Locking nut M10		12
16	GB5783-M16x45	Bolt M16x45		2
17	GB889.1-M16	Locking nut M16		2