

## ATEM



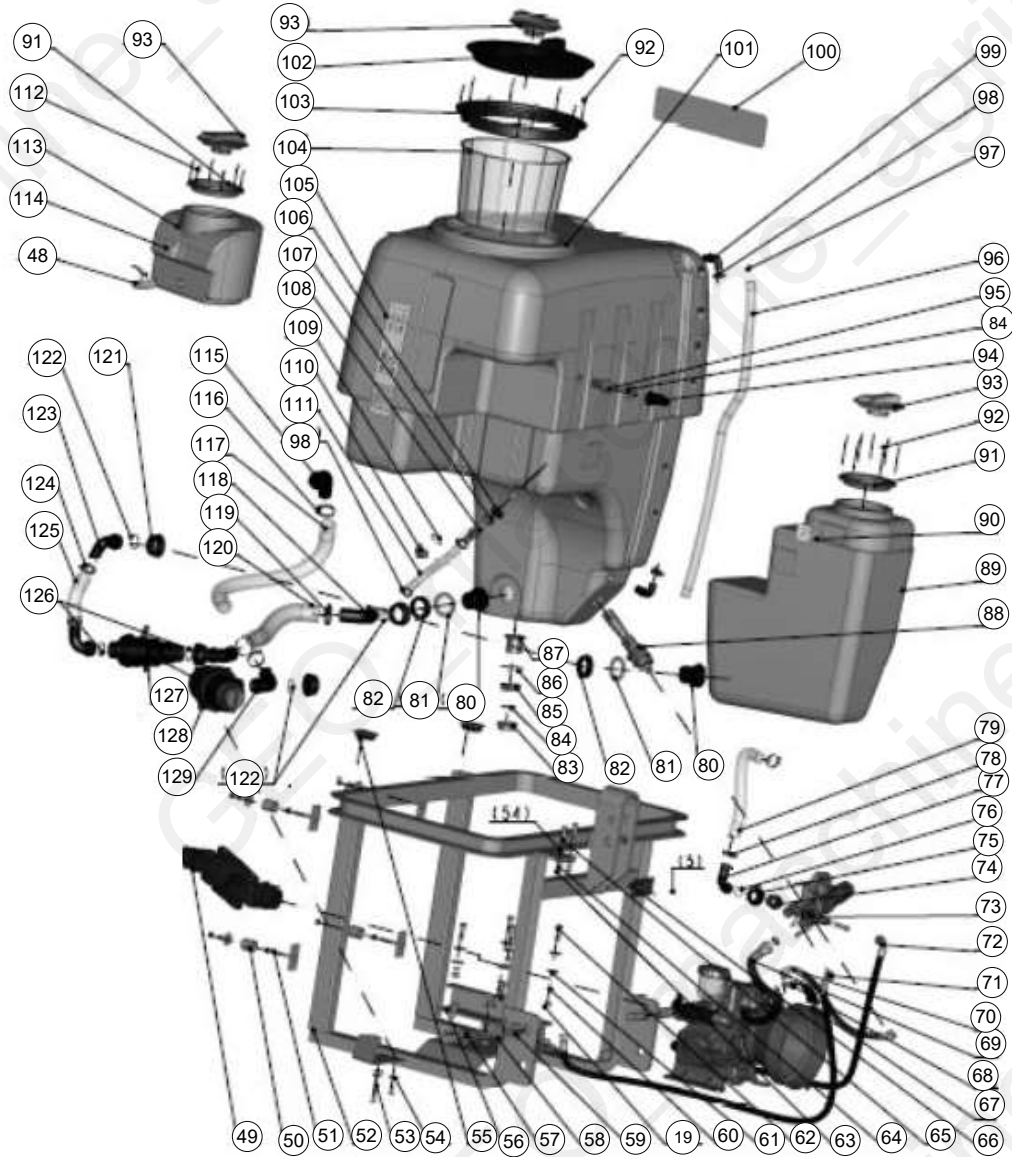
# Table of Contents

<b>Tavola</b>	<b>Page</b>
ATEM	3
ATEM 1000	13
POMPA80Lt	27
TURBO LANCIA	33

## ATEM



GEO Italy S.R.L.



Machine: ATEM

Assembly: ATEM\_parte 1



Pos	Code	Description	NOTE	Q.
19	GB/T6170-2000	Nut M8		9
48	BC308.ZG1/2-G1/2			2
49	FXD7/340.02.05	PTO Shaft		1
50	FXD7/340.04-04	Partition cover		4
51	FXD7/340.04.02	Bolt jointing piece		4
52	FXD7/340.04.01	frame for tank		1
53	GB/T.5783-86	Bolt		5
54	GB/T96.1-2002	Plain washer 8		7
55	FXD7/340.04-01	End cap		2
56	FXD7/340.04-03	Connecting board for pump		2
57	FXD7/340.04-06	Joint shaft		2
58	FXD7/340.04-05	Washing 27		2
59	GB/T.6172-2000	nut		2
60	GB/T.93-1987	SPRING WASHER		10
61	GB/T.95-2002	Flat Gasket		20
62	GB/T.5783-86	Bolt		10
63	GB/T6170-2000	Nut M8		19
64	GB/T.93-1987	SPRING WASHER		17
65	GB/T.5783-86	Bolt		2
66	FXD7/340.04-02	Aluminium Mark		1
67	GMB81.00.GMB81	Pump		1
68	FXD7/340.02-08	Max speed mark		1
69	FXD7/340.02.01	Outlet pipe assy for pump		1
70	FXD7/340.02.02	Backwater stir pipe assy		1
71	FXD7/340.02.03	Right outet pipe assy for pressure regulator		1

Machine: ATEM

Assembly: ATEM\_parte 1



Pos	Code	Description	NOTE	Q.
72	FXD7/340.02.03	Right outlet pipe assy for pressure regulator		1
73	RM40Y.00	REGULATOR RM40Y		1
74	FXD7/340.02-03	Switch connector		1
75	GMB30-02	Nut G1		1
76	GB/T3452.1-1992	O-ring 23.5*2.65		1
77	GMB30-01	Elbow connector 25		1
78	22-32.2	steel ring		2
79	FXD7/340.02-06	Backwater transparence pipe for main tank		1
80	FXD7/340.03.01-15	Outlet connector		2
81	FXD7/340.03.01-17	Outlet sealing washer		2
82	FXD7/340.03.01-16	G1 1/2 locknut		2
83	FXD7/340.03.01-08	Water drain block cap		1
84	FXD7/340.03.01-03	Backwater connector sealing washer		2
85	GLQ60-06.G1	Ring		2
86	FXD7/340.03.01-09	Water outlet connector sealing washer		2
87	FXD7/340.03.01-10	Water outlet connector		1
88	YJB2.00	Pressure stir YJB2		1
89	YX340.03	Cleaning TANK		1
90	FXD7/340.03.03-01	Label for flushing tank		1
91	FXD7/340.03.02-02	Fixing ring for water cap		2
92	GB/T.845-1998	bolt		14
93	SXG454.01	Water cap assy SXG454		3
94	FXD7/340.03.01-04	Elbow connector for backwater		1
95	FXD7/340.03.01-02	Connector for backwater		1
96	FXD7/340.03.01-06	Transparence pipe for fluid position		1

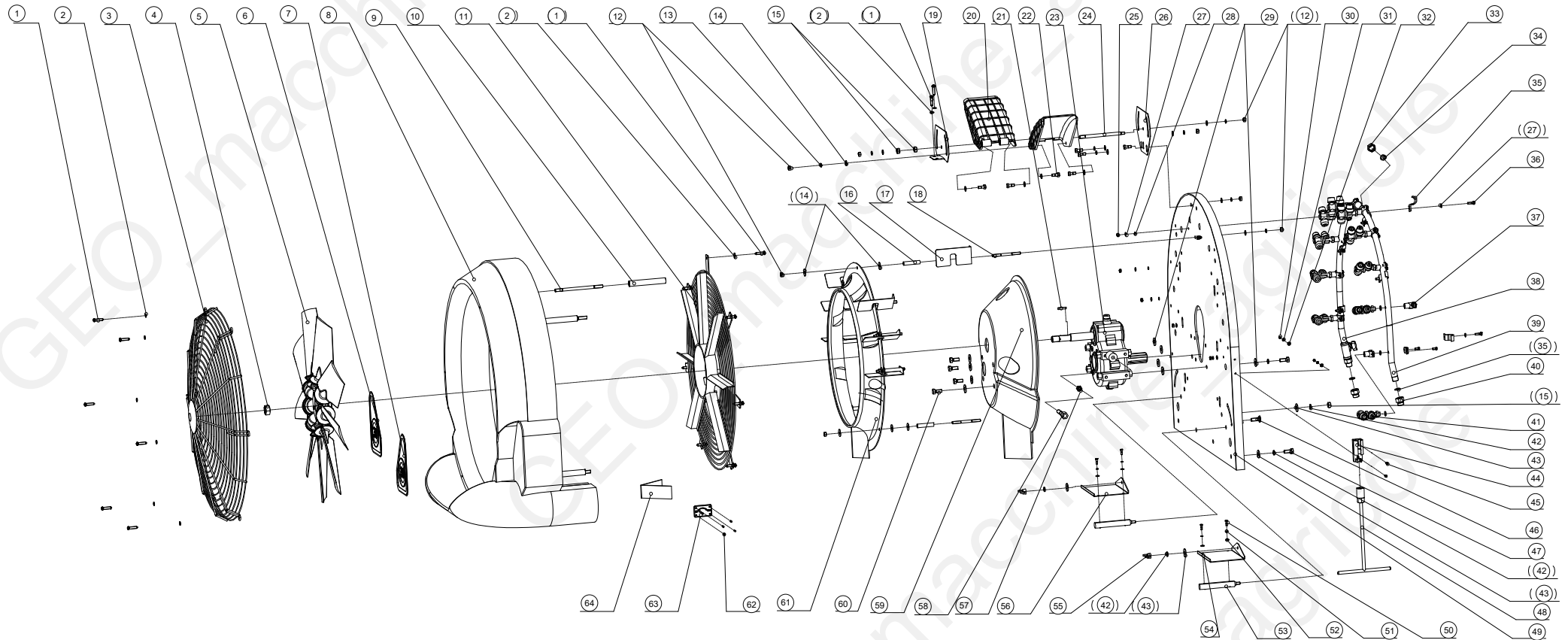
Pos	Code	Description	NOTE	Q.
97	FXD7/340.03.01-05	Ball		1
98	16-25.4	Connector		4
99	FXD7/340.03.01-07	Elbow connector for fluid position		2
100	FXD7/340.03.01-01	Main tank label 1		1
101	YX340.	Main tank		1
102	SXG355-01	Chemical tank lid		1
103	SXG355-02	Fixing ring for water tank		1
104	LW302.00	Filter screen for water tank		1
105	FXD7/340.03.01-18	Main tank label 2		1
106	FXD7/340.03.01-13	connector		1
107	FXD7/340.03.01-12	Ring		1
108	FXD7/340.03.01-11	connector		1
109	GB/T.3452.1-1992	Bolt		1
110	FXD7/340.03.01-14	Connector		1
111	FXD7/340.02-07	PVC transparent pipe for safety valve		1
112	GB/T.845-1998	bolt		6
113	YX340.02	Wash Hand Tank		1
114	FXD7/340.03.02-01	Label for hand washing tank		1
115	GMB215-03	Water outlet elbow		1
116	30-42.2	Ring		2
117	FXD7/340.02-02	Transparent suction pipe for pump		1
118	FXD7/340.02-05	Outlet elbow for main tank		1
119	32-44.2	ring		2
120	FXD7/340.02-04	Outlet transparent pipe for main tank		1
121	GLQ200-10	Water inlet nut G1 1/2		6

Machine: ATEM

Assembly: ATEM\_parte 1



Pos	Code	Description	NOTE	Q.
122	GB/T.3452.1-1992	Bolt		3
123	GLQ200-12	Water outlet elbow 28.5		2
124	25-38.2	Ring		2
125	FXD7/340.02-01	Water outlet transparent pipe for flushing tank		1
126	FGB/T.3452.1-1992	Steel Ring		2
127	HXF1.1/2-00	Three Way Valve		1
128	GLQ200.00, GLQ200	Filter		1
129	GLQ200-12A	Water outlet elbow 35		1



Machine: ATEM

Assembly: Gruppo Ventola



Pos	Code	Description	NOTE	Q.
1	GB/T845-1985	Bolt		15
2	GB/T96.1-2002	Plain washer 8		24
3	FXD7/340.01.01	protection net		1
4	GB/T889.2-2000	Locking nut M16X1.5		1
5	FXD7/340.01.05	Impeller		1
6	FXD7/340.01.02-04	Stricker Left		1
7	FXD7/340.01.02-06	Stricker Right		1
8	FXD7/340.01.02.01	Plastic shell for fan group		1
9	FXD7/340.01.02-02	M10 double-head bolt		4
10	FXD7/340.01.02-01	Stainless steel partition cover		4
11	FXD7/340.01.02.02	Back net cover		1
12	GB/T6170-2000	Nut M8		9
13	GB/T93-1987	Spring washer 6		2
14	GB/T95-2002	Plain washer 8		2
15	GB/T6170-2000	Nut M8		9
16	FXS8/680.01.03-03			9
17	FXS8/680.01.03-01			7
18	GB/T901-1988			9
19	FXD7/340.01.03-1			1
20	FXD7/340.01.03-4			2
21	GB/T1096-2003	Key 6*30		1
22	GB/T5782-2000	Hex bolt M8*20		8
23	CMV93.00	Cast Iron Gearbox		1
23	FC93.00	Gearbox		1
24	FXD7/340.01.03-2			1

Machine: ATEM

Assembly: Gruppo Ventola



Pos	Code	Description	NOTE	Q.
25	GB/T6170-2000	Nut M8		9
26	FXD7/340.01.03-3			1
27	GB/T93-1987	Spring washer 6		2
28	GB/T95-2002	Plain washer 8		2
29	GB/T96.1-2002	Plain washer 8		24
30	GB/T6170-2000	Nut M8		9
31	GB/T93-1987	Spring washer 6		2
32	GB/T95-2002	Plain washer 8		2
33	FXD7/340.01.04.01-3	Block cap		2
34	FXD7/340.01.04-03	Compaction buckle		6
35	FXD7/340.01.04.01-03			6
36	GB/T5782-2000	Hex bolt M8*20		8
37	PTZL/4N.00			10
38	FXD7/340.01.04.01-4	left bar		1
39	FXD7/340.01.04.04-1	right Bar		1
40	FXD7/340.01.04.01-1	Brass connector		2
41	NH102.00	BRASS NOZZLE NH-102		10
42	GB/T93-1987	Spring washer 6		2
43	GB/T95-2002	Plain washer 8		2
44	FXD7/340.01.04-05	handle fixing seat		1
45	GB/T6170.1-2002			2
46	FGB/T794			2
47	GB/T5782-2000	Hex bolt M8*20		8
48	FXD7/340.01.04-06	Position change handle		1
49	FXD7/340.01.04.02	Wind guard Assy		1

Machine: ATEM

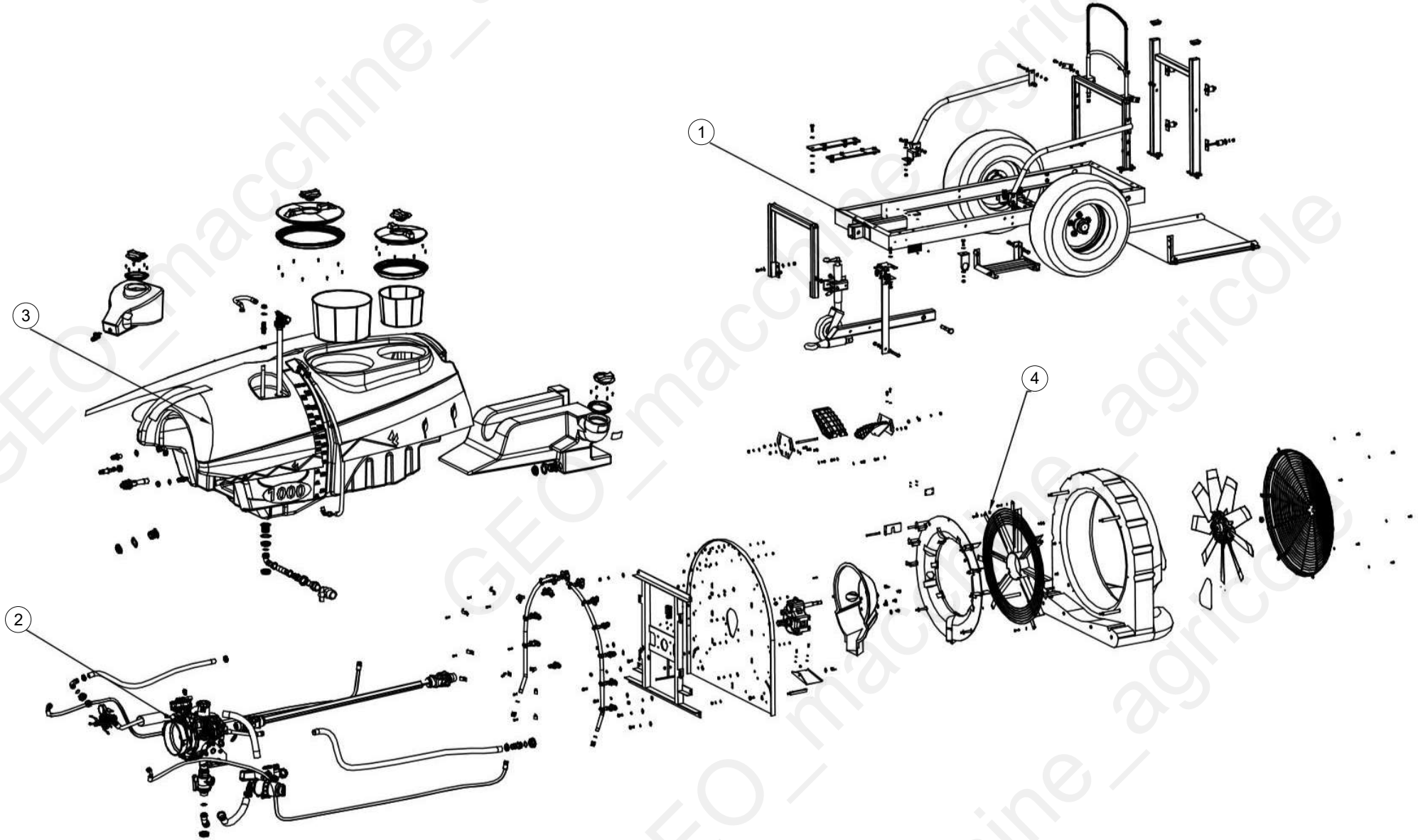
Assembly: Gruppo Ventola



Pos	Code	Description	NOTE	Q.
50	GB/T818-2000	Cross bolt M5*12		2
51	GB/T93-1987	Spring washer 6		2
52	GB/T95-2002	Plain washer 8		2
53	FXS8/680.01.03.02-01			2
54	FXS8/680.01.03.02-02			1
55	GB/T62-1988			2
56	FXS8/680.01.03.03-01			1
57	GB/T6170-2000	Nut M8		9
58	FXD7/340.01.04-04	Hex bolts gear lever		1
59	FXD7/340.01.04-02	Plastic cover for air		1
60	GB/T5782-2000	Hex bolt M8*20		8
61	FXS7/340.01.02-01			1
62	GB/T12618-1990			4
63	FXD7/340.01.02-03	Handle operation mark		1
64	FXD7/340.01.02-05	Rubber shock insulator		1

## ATEM 1000



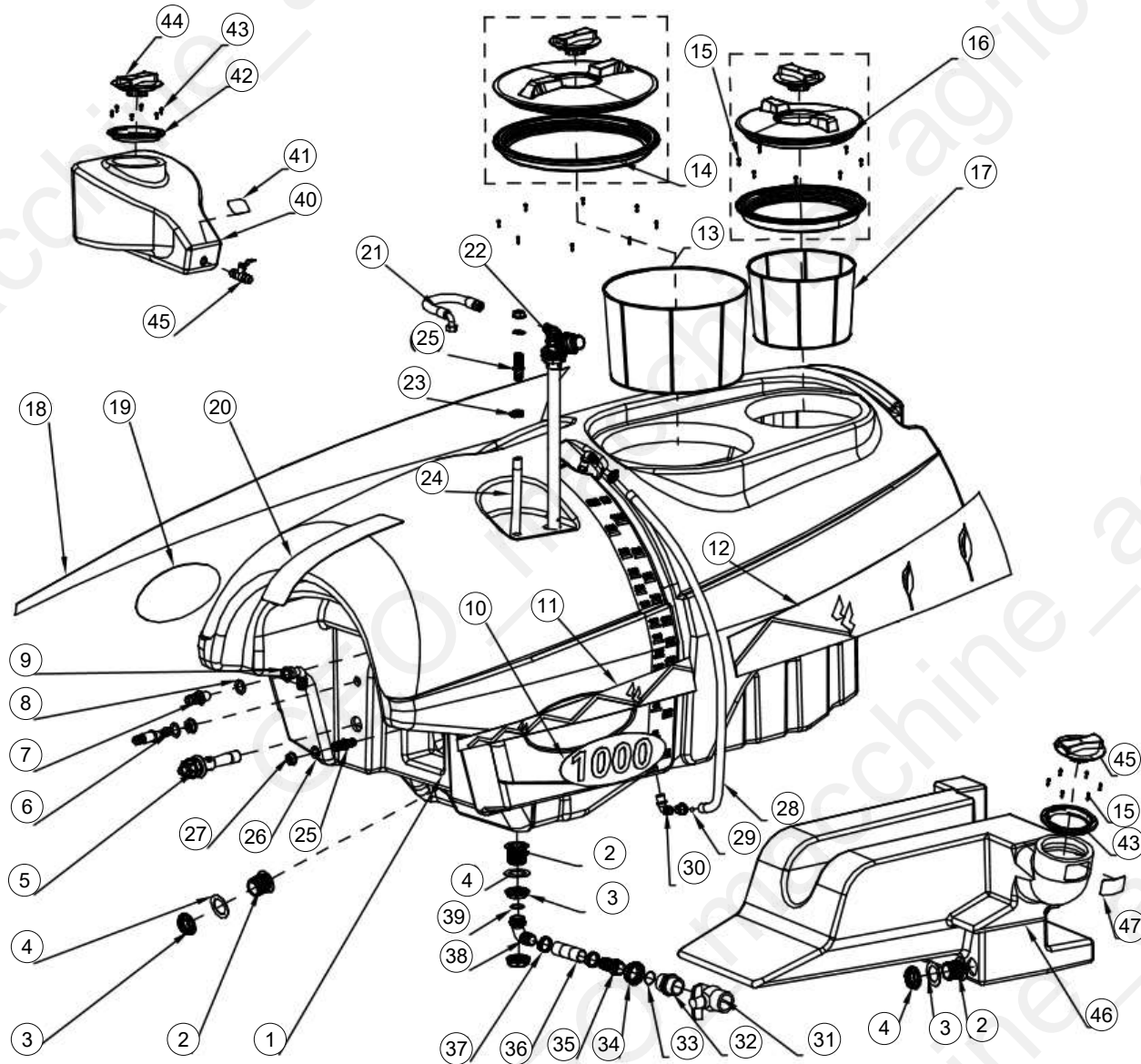


Machine: ATEM 1000

Assembly: ATEM\_1000\_parte 1



Pos	Code	Description	NOTE	Q.
-----	------	-------------	------	----



Machine: ATEM 1000

Assembly: ATEM\_1000\_parte 2



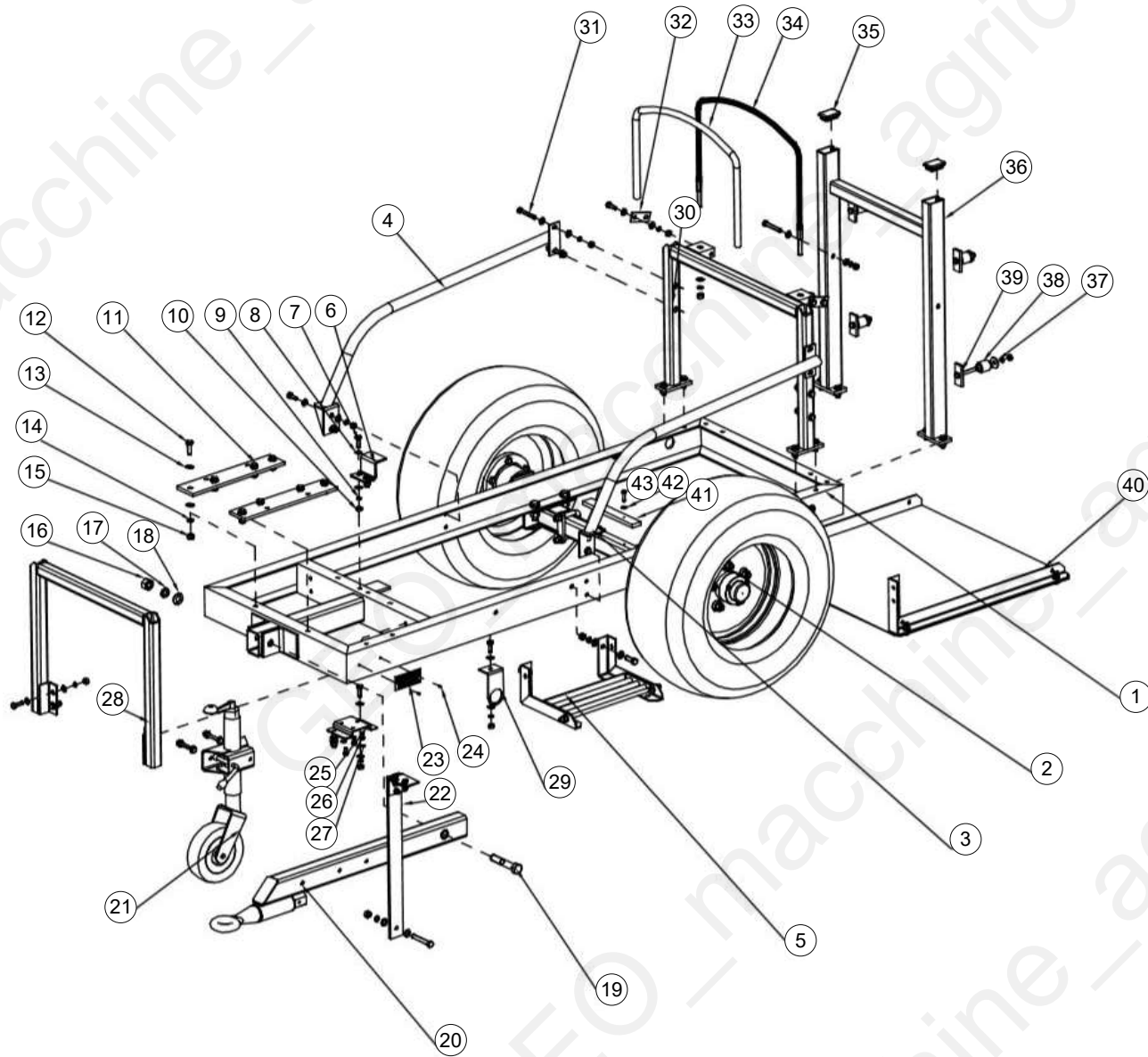
Pos	Code	Description	NOTE	Q.
1	YXQ1000.01			1
2	FXD7/340.03.01-15	Outlet connector		3
3	FXD7/340.03.01-16	G1 1/2 locknut		3
4	FXD7/340.03.01-17	Outlet sealing washer		3
5	YJB2.00	Pressure stir YJB2		1
6	XY-120			2
7	FXD7/340.03.01-02	Connector for backwater		1
8	FXD7/340.03.01-03	Backwater connector sealing washer		1
9	FXD7/340.03.01-04	Elbow connector for backwater		1
10	FQD7/1000.03.01-01	Sticker		1
11	FQD7/1000.03.01-02	Sticker		1
12	FQD7/1000.03.01-03	Sticker		1
13	LW400.00			1
14	SXG454.00			1
15	GB/T845-1985	Bolt		22
16	SXG355.00			1
17	LW302.00	Filter screen for water tank		1
18	FQD7/1000.03.01-04	Sticker		1
19	FQD7/1000.03.01-05	Sticker		1
20	FXD7/340.03.01-18	Main tank label 2		1
21	FQD7/1000.02.01			1
22	HJYS.00			1
23	ATEM1000.023			4
24	FQD7/1000.03.01-06			1
25	FXD7/340.03.01-11	connector		1

Machine: ATEM 1000

Assembly: ATEM\_1000\_parte 2



Pos	Code	Description	NOTE	Q.
26	FXD7/340.03.01-12	Ring		1
27	FXD7/340.03.01-13	connector		1
28	FQD7/1000.03.01-07			1
29	FXD7/340.03.01-05	Ball		1
30	FXD7/340.03.01-07	Elbow connector for fluid position		2
31	ATEM1000.031			1
32	HXF1-01			1
33	FGB/T3452.1-1992	O-RING		1
34	GLQ200-10	Water inlet nut G1 1/2		2
35	GLQ200-11			1
36	FXD7/1000.03.01-08			1
37	ATEM1000.037			2
38	GLQ200-12	Water outlet elbow 28.5		1
39	GB/T3452.1-1992	O-ring 23.5*2.65		1
40	YXQ1000.02			1
41	FXD7/340.03.02-01	Label for hand washing tank		1
42	FXD7/340.03.02-02	Fixing ring for water cap		2
43	SXG454.01	Water cap assy SXG454		2
44	GB/T845-1998			6
45	BC-308ZGI/2-GI/2			1
46	YXQ1000.03			1
47	FXD7/340.03.03-01	Label for flushing tank		1



Machine: ATEM 1000

Assembly: ATEM\_1000\_parte 3



Pos	Code	Description	NOTE	Q.
1	FQD7/1000.01.01			1
3	FQDJ/1000.01.03			1
4	FQD7/1000.01-01			1
5	CB/T5183-2000			21
6	CB/T95-2002			70
7	CB/T93-1987			39
8	CB/T6170-2000			39
9	CB/T5183-2000			10
10	CB/T95-2002			20
11	CB/T93-1987			10
12	CB/T6170-2000			10
13	CB/T5182-2000			1
14	CB/T95-2002			2
15	CB/T93-1987			1
16	CB/T6170-2000			1
17	FQDJ/1000.01.06			1
18	FQDJ/1000.01.07			1
19	FQDJ/1000.01.08			1
20	FQDJ/1000.01-04			1
21	CB/T876-86			2
22	FQDJ/1000.01-03			1
23	CB/T5183-2000			3
24	CB/T95-2002			3
25	FQDJ/1000.01.09			1
26	FQDJ/1000.01-05			1

Machine: ATEM 1000

Assembly: ATEM\_1000\_parte 3



Pos	Code	Description	NOTE	Q.
27	FQDJ/1000.01.10			1
28	FQDJ/1000.01-06			2
29	FQDJ/1000.01.li			0
30	FQDJ/1000.01-07			1
31	FXD7/340.04-01	End cap		2
32	FQDJ/1000.01.12			1
33	CB/T96.1-2002			4
34	FXD7/340.04-04	Partition cover		4
35	FXD7/340.04.02	Bolt jointing piece		4
36	FQDJ/1000.01.13			1
37	FQD7/I000.01-08			1
38	CB/T95-2002			2
39	CB/T845-1985			2
40	CB/T5182-2000			8
41	FQDJ/1000.01-02			2
42	FQDJ/1000.01.05			1
43	FQD7/I000.01.04			1



Machine: ATEM 1000

Assembly: ATEM\_1000\_parte 4



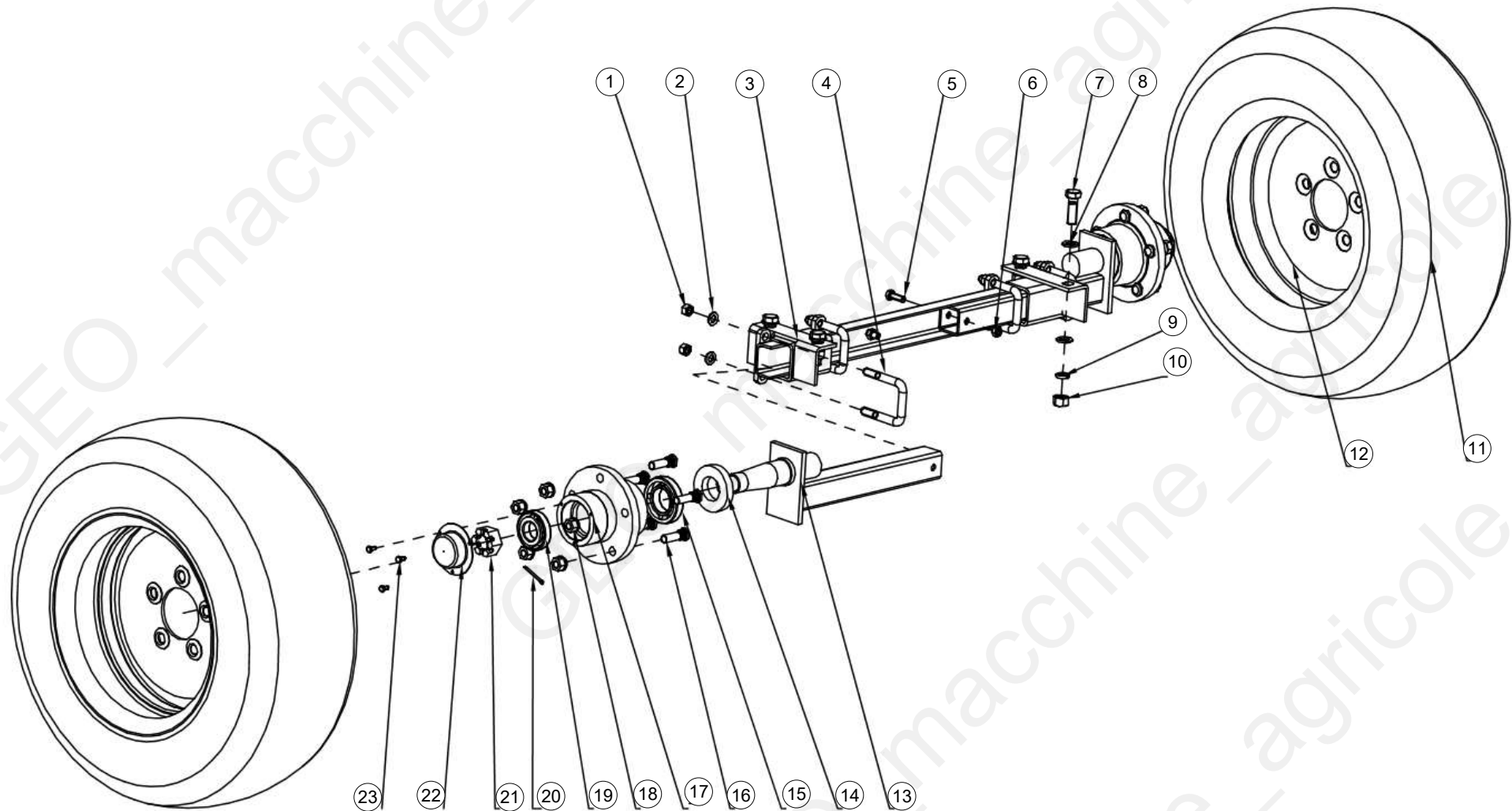
Pos	Code	Description	NOTE	Q.
1	GMB130.00			1
2	FXD7/340.02-08	Max speed mark		1
3	FQD7/1000.02.01			2
4	GLQ200-10	Water inlet nut G1 1/2		5
5	GLQ200-12	Water outlet elbow 28.5		1
6	FGB/T3452.1-1992	O-RING		2
7	HXFI.O			1
8	GLQ200.00			1
9	FQD7/1000.02-01			1
10	ATEM1000.4.010			2
11	GLQ200-11			1
12	GB/T3452.1-1992	O-ring 23.5*2.65		3
13	GLQ200-12A	Water outlet elbow 35		1
14	FQD7/1000.02-02			4
15	FQD7/1000.02-02			1
16	GMB215-03	Water outlet elbow		1
17	FQD7/1000.02.02			2
18	RM40YF.00			1
19	FXD7/340.02-03	Switch connector		1
20	GMB30-02	Nut G1		1
21	GB/T3452.1-1992	O-ring 23.5*2.65		1
22	GMB30-01	Elbow connector 25		1
23	ATEM1000.4.023			2
24	FQD7/1000.02-03			1
25	FQD7/1000.02.03			1

Machine: ATEM 1000

Assembly: ATEM\_1000\_parte 4



Pos	Code	Description	NOTE	Q.
26	FQD7/1000.02-04			1
27	ATEM1000.4.027			2
28	FQD7/1000.02-05			1
29	FXD7/340.02-05	Outlet elbow for main tank		2
30	FQD7/1000.02.04			1
31	FQD7/1000.02-06			1
32	FQD7/1000.02-07			1



Machine: ATEM 1000

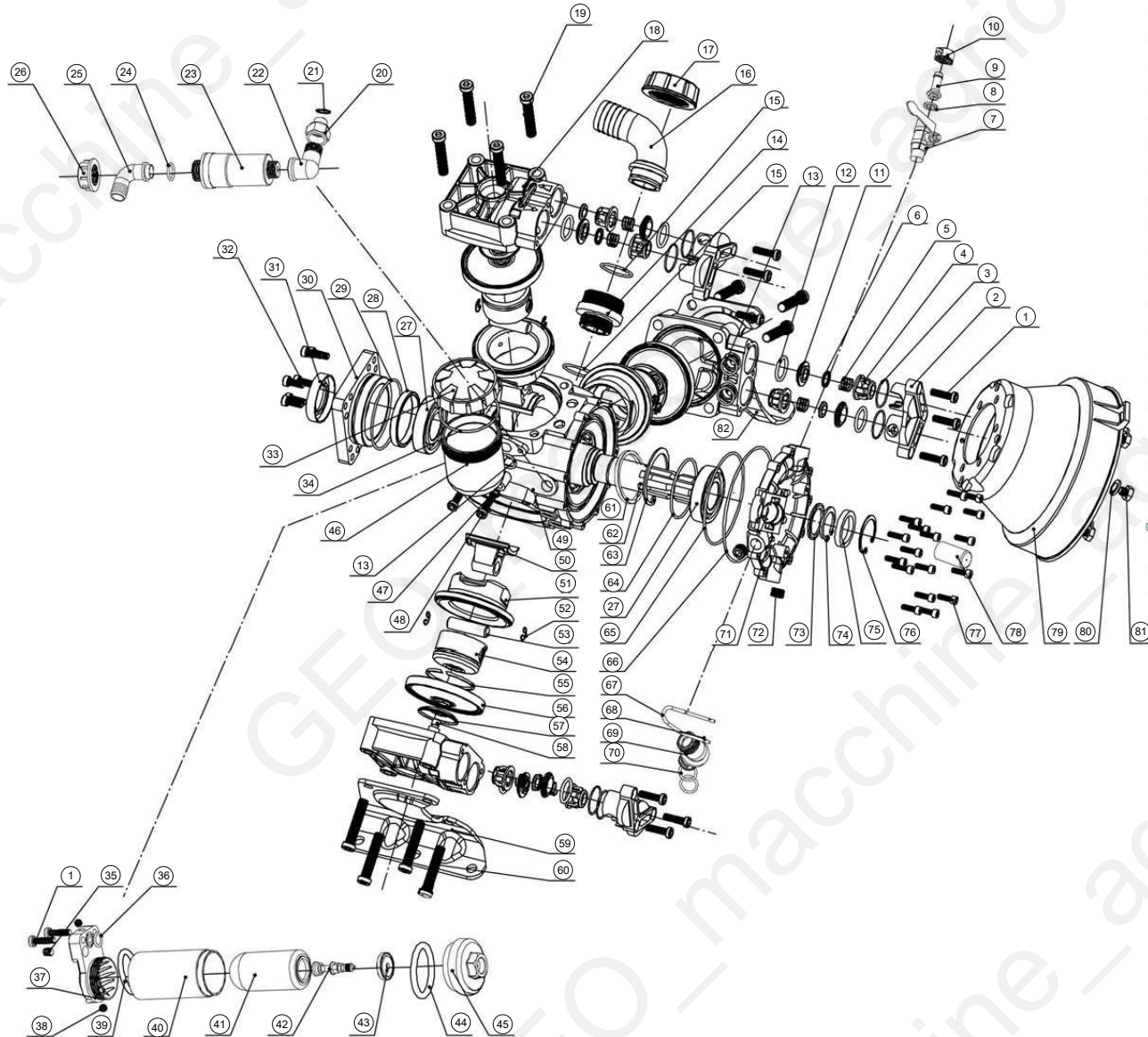
Assembly: ATEM\_1000\_parte 5



Pos	Code	Description	NOTE	Q.
1	GB/T6183.2-2000	Hexad locknut		8
2	GB/T95-2002	Plain washer 8		8
3	FQD7/1000.01.02.01			1
4	FQD7/1000.01.02-01			4
5	GB/T5783-2000	Bolt		2
6	GB/T6170-2000	Nut M8		2
7	GB/T5783-2000	Bolt		4
8	GB/T95-2002	Plain washer 8		8
9	GB/T93-1987	Spring washer 6		4
10	GB/T6170-2000	Nut M8		4
11	10/80-12			2
12	12*7			2
13	FQD7/1000.01.02.02			2
14	FQD7/1000.01.02-02			2
15	GB/T297-1994			2
16	QC/T358-1999			10
17	FQD7/1000.01.02-03			2
18	QC/T354-1999			10
19	GB/T297-1994			2
20	GB9459-88			2
21	GB/T91-88			2
22	FQD7/1000.01.02-04			2
23	GB/T5781-2000	Bolt		6

## POMPA80Lt





Pos	Code	Description	NOTE	Q.
1	GB/T70.1-2000-M8X25	Bolt M8X25		11
2	GMB81-01	VALVE CAP		3
3	GB/T3452.1-1992-8	O-RING 33.5X1.8		6
4	GMB30.02-01	VALVE SUPPORT		6
5	GMB30.02-02	VALVE SPRING		6
6	GMB30.02-03	VALVE PLATE		6
7	GI40.02	BALL COCK G1/2-3/8		1
8	GI40-12	WASHER 12X18X2		1
9	GI40-13	HOSE BARB		1
10	GMB20-FJ.03-01	NUT		1
11	GMB30.02-04	VALVE SEAT		6
12	GB/T3452.1-1992-7	O-RING 25X3.55		6
13	GB/T3452.1-1992-6	O-RING 19X2.65		7
14	GMB81-18	THREADED ADAPTOR		1
15	GB/T3452.1-1992-9	O-RING 36.5X2.65		2
16	GMB81-16	ELBOW 38		1
17	GMB81-17	RING NUT G1"3/4		1
18	GMB81-04	PUMP HEAD		3
19	GB/T70.1-2000-M12X60	BOLT M12X60		4
20	GMB55-14	THREADED ADAPTOR		1
21	GB1235-76	O-RING 21X3.1		1
22	GMB55-15	ELBOW-SAFETY VALVE		1
23	AQF40.00	SAFTY VALVE		1
24	GB/T3452.1-1992-4	O-RING 15X2.65		1
25	GMB30-04	ELBOW 19		1

Pos	Code	Description	NOTE	Q.
26	GMB30-03	RING NUT G3/4		1
27	GB/T276-1994-6207	Bearing 6207		2
28	GMB81-13	SPACER		1
29	GB/T3452.1-1992-14	O-RING 82.5X2.65		1
30	GMB81-14	FLANGE		1
31	GB13871-1992-35X62X12	OIL SEAL 35X62X12		1
32	GB/T70.1-2000-M8X20	BOLT M8X20		8
33	GMB81.02-01	OIL TANK CAP		1
34	GB/T3452.1-1992-13	O-RING 73X2.65		1
35	GB/T77-2000	DOWEL		1
36	GB/T3452.1-1992-2	O-RING 14.5X2.65		1
37	GMB81.01-01	AIR CHAMBER SEAT		1
38	GB/T77-2000	DOWEL		2
39	GB/T3452.1-1992-10	O-RING 50X2.65		1
40	GMB81.01-02	AIR CHAMBER TUBE		1
41	GMB81.01-03	SEMI AIR CHAMBER		1
42	GMB30.01.01.01	AIR VALVE		1
43	GMB81.01-04	PLATE		1
44	GB/T3452.1-1992-11	O-RING 57X2.65		1
45	GMB81.01-05	AIR CHAMBER COVER		1
46	GMB81.02-02	OIL TANK		1
47	GB/T97.1-1985-8	Plain washer 8		2
48	GB/T70.1-2000-M8X35	BOLT M8X35		2
49	GMB81-22	PUMP BODY		1
50	GMB81-11	CONNECTING ROD		3

Pos	Code	Description	NOTE	Q.
51	GMB81-09	PISTON SLEEVE		3
52	GB959.2-86	PIN CIRCLIP 15		6
53	GMB81-08	PISTON PIN		3
54	GMB81-07	PISTON		3
55	PZHC01	PISTON RING		3
56	GMB81-06	DIAPHRAGM		3
57	GMB30-06	PLATE		3
58	GMB81-05	DIAPHRAGM PIN		3
59	GMB81-15	LEFT BASE		1
60	GB/T70.1-2000-M12X65	BOLT M12X65		8
61	GMB81-10	CONNECTING ROD RING		2
62	GMB81-12	SHAFT		1
63	GB/T893.1-1986-72	Circlip 72		1
64	GB/T3452.1-1992-12	O-RING 73X2.65		1
65	GB/T3452.1-1992-1	O-RING 115X2.65		1
66	GB/T3452.1-1992-3	O-RING 145X2.65		1
67	GMB81-19	FORK		1
68	GB/T91-2000/2x16	SPLIT PIN 2X16		1
69	GMB81-20	COUPLING		1
70	GB/T3452.1-1992-5	O-RING 19X2.65		2
71	GMB81-02	MANIFOLD		1
72	GMB81-21	PLUG		2
73	GMB30-16	RING 47X2.5		1
74	GB/T894.1-1986	CIRCLIP 35		2
75	GB13871-1992-35X47X7	OIL SEAL 35X47X7		1

Machine: POMPA80Lt

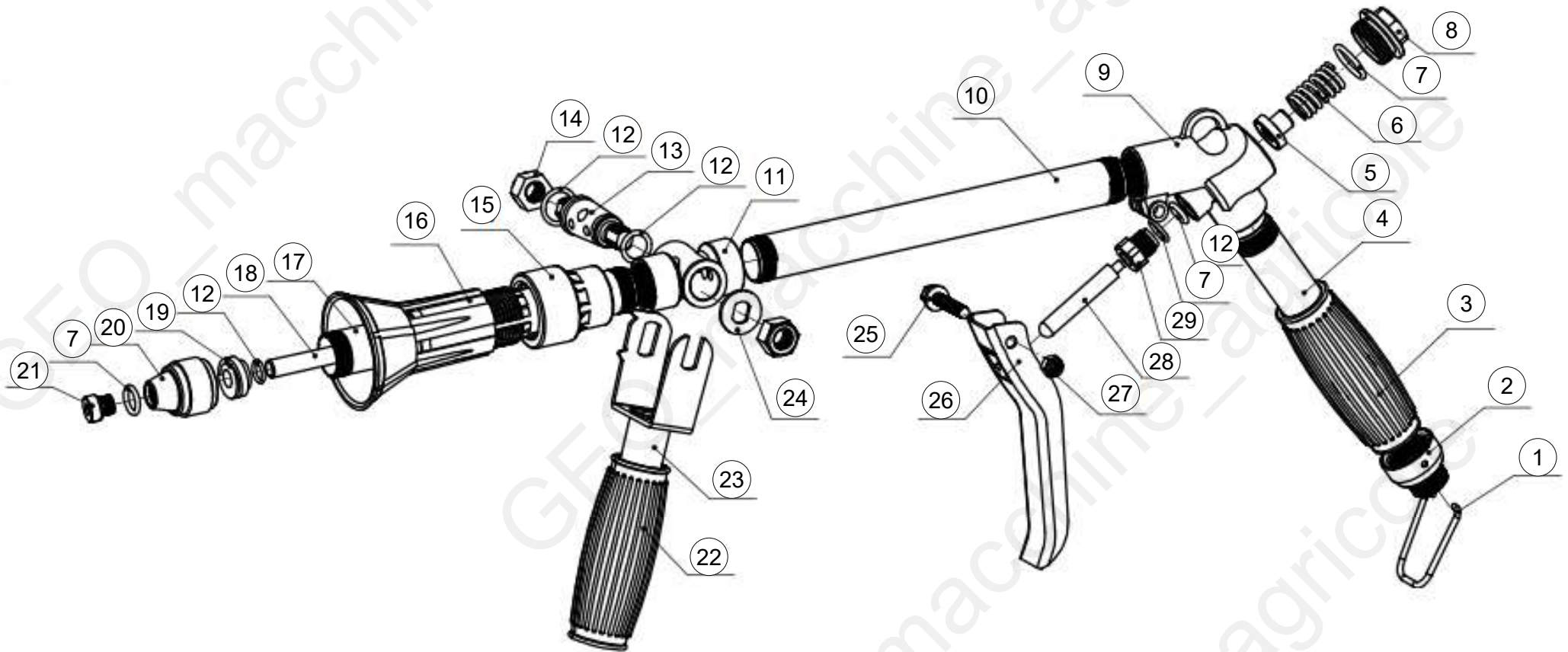
Assembly: Pompa ATEM\_parte 1



Pos	Code	Description	NOTE	Q.
76	GB/T893.1-1986-47	Circlip 47		1
77	GB/T70.1-2000-M6X22	BOLT M6X22		18
78	GMB81-03	COVER		1
79	GMB81-23	SHIELD		1
80	GB/T5287-1985	WASHER 6		3
81	GB/T70.1-2000-M6X14	BOLT M6X14		3
82	GMB81-24	RIGHT BASE		1

# TURBO LANCIA





Machine: TURBO LANCIA

Assembly: turbo lancia parte1



Pos	Code	Description	NOTE	Q.
1	CG17-01			1
2	CG17-02			1
3	CG17-04			1
4	CG17-03			1
5	CG17-06			1
6	CG17-05			1
7	GB/T3452.1-1992	O-ring 23.5*2.65		1
8	CG17-07			1
9	CG17-08			1
10	CG17-09			1
11	CG17-10			1
12	GB1235-76	O-RING 21X3.1		1
13	CG17-11			1
14	GB/T6184-2000			1
15	TFCG16A-03			1
16	TFCG16-14			1
17	CG17-13			1
18	CG17-14			1
19	TFCG16.02			1
20	TFCG16.02-03			1
21	TFCG16.02.01			1
22	CG17-16			1
23	CG17-15			1
24	CG17-12			1
25	GB5782-86	BOLT		1

Machine: TURBO LANCIA

Assembly: turbo lancia parte1



Pos	Code	Description	NOTE	Q.
26	CG17-19			1
27	GB889-861			1
28	CG17-17			1
29	CG17-18			1