

Macchina

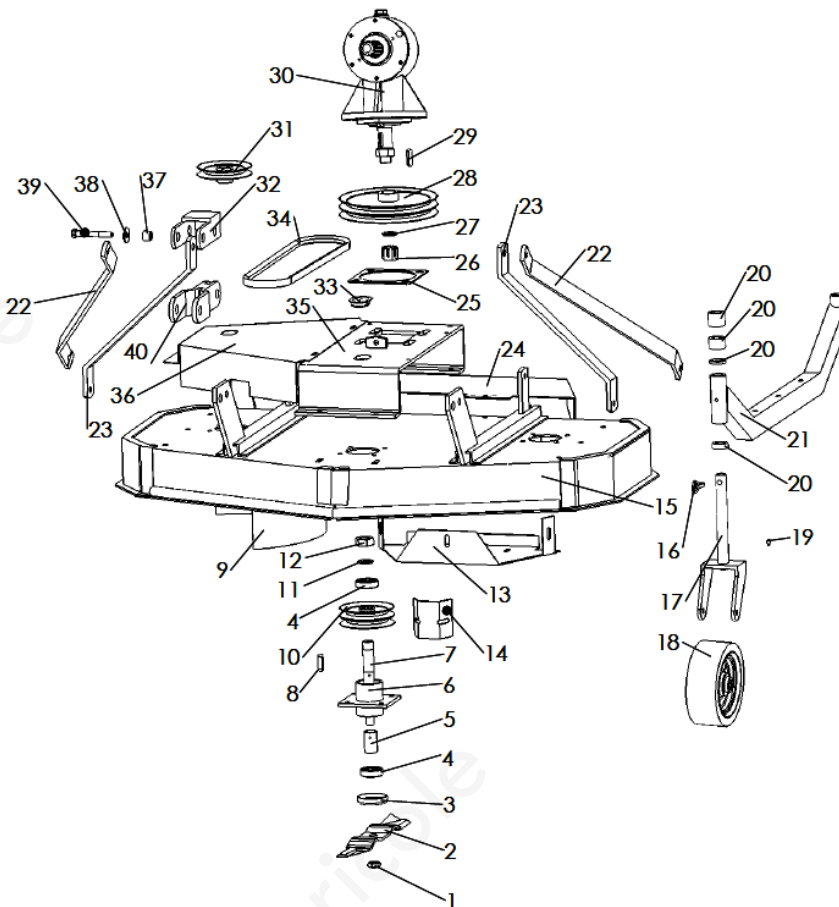
DM



Sezione

1

DM_MainAssembly



SerNo	PartNo	Description	Quantity
1	GB889-86	Locknut M18	3
2,1	FM120.00.118	Long Blade DM 120	3
2,2	FM150.00.118	Long Blade DM 150	3
2,3	FM180.00.118	Long Blade DM 180	3
3	FM120.00.117	Protection cover	3
4	GB 278-89	Bearing 60205	14
5	FM120.00.114	FMeeve	3
6	FM120.00.016	Blade seat	3
7	FM 120.00.116	Blade axle	3

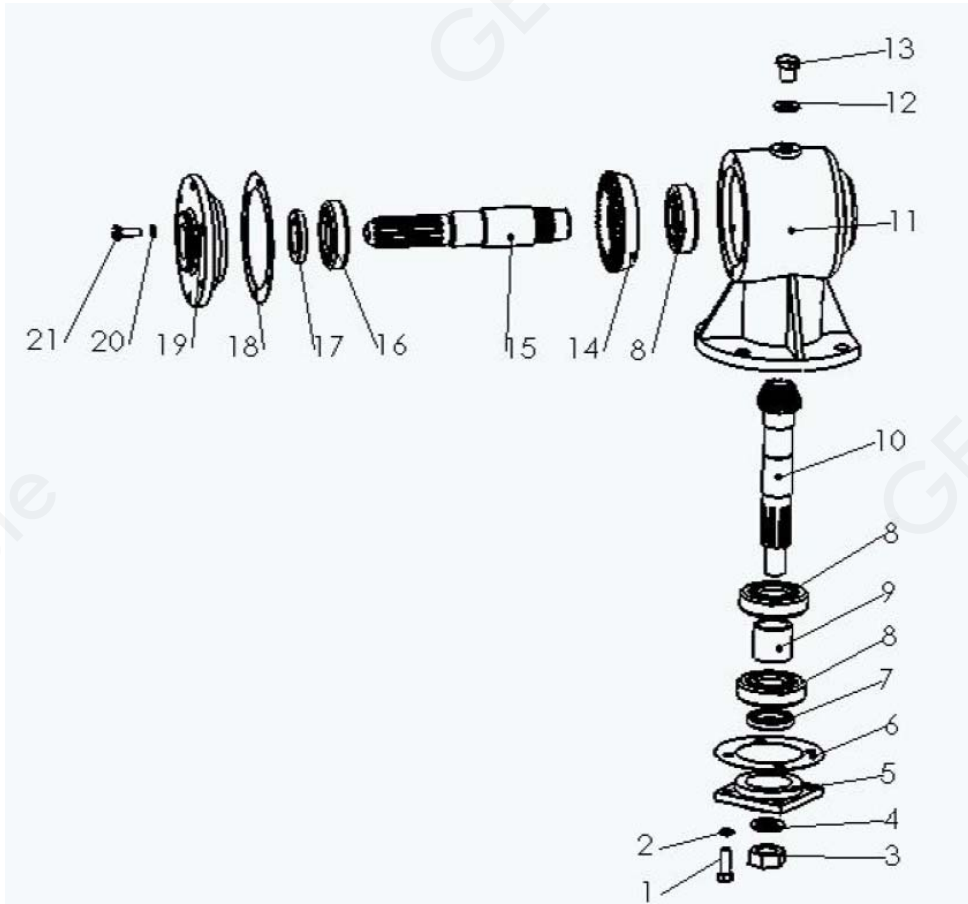
8	GB 1096-86	Key A8x28	3
9	FM120.00.151	Left & Right shield	2
10	FM120.00.014	Belt wheel with double groove	1
11	GB 858-85	Washer 24	1
12	GB 889-86	Locknut M24x1.5	3
13	FM120.00.102	Support for shield	1
14	FM120.00.103	Support for little shield	1
15,1	FM120.00.019	Deck DM 120	1
15,2	FM150.00.019	Deck DM 150	1
15,3	FM180.00.019	Deck DM 180	1
16	200.56.011	Lock pin	4
17	FM120.00.011	Wheel fork	4
18	FM120.00.018	Wheel Assembly	4
19	GB 1152-89	Grease nipple M6	4
20	FM120.00.115	Adjusting ring	4
21,1	FM120.00.015	Wheel bracket DM 120	2
21,2	FM150.00.015	Wheel bracket DM 150	2
21,3	FM180.00.015	Wheel bracket DM 180	2
22	FM120.00.109	Rear link rod	2
23	FM120.00.113	Front link rod	2
24	FM180.00.106	Protecting plate	1
25	FM120.00.108	Gasket	1
26	GB 9459-1988	Nut M24	1
27	GB 97.1-85	Plain washer 24(black)	1
28	FM120.00.012	Belt wheel (large)	1
29	GB1096-86	Key A10x45	1
30	FM120.01.001	Gearbox assembly	1
31	FM120.00.013	Belt wheel with single groove	2
32	FM120.00.112	Bracket for suspending (Up)	1
33	FM120.00.110	Rubber cover	3
34,1	GB/T 11544-97	Belt DM 120	2
34,2	GB/T 11544-97	Belt DM 150	2
34,3	GB/T 11544-97	Belt DM 180	2
34,4	GB/T 11544-97-B1880	belt D mold	
35,1	FM120.00.107	Gearbox seat DM 120	1
35,2	FM150.00.107	Gearbox seat DM 150	1
35,3	FM180.00.107	Gearbox seat DM 180	1
36,1	FM120.00.121	Cover for belt wheel DM 120	2
36,2	FM150.00.121	Cover for belt wheel DM 150	2

36,3	FM180.00.121	Cover for belt wheel DM 180	2
37	FM120.00.111	FMeeve	2
38	GB 96-85	Enlarged washer 12	2
39	GB 5782-86	BoltM12x90	2
40	FM120.00.017	Bracket for suspending (lower)	2

Sezione

2

DM_GearboxAssembly



SerNo	PartNo	Description	Quantity
-------	--------	-------------	----------

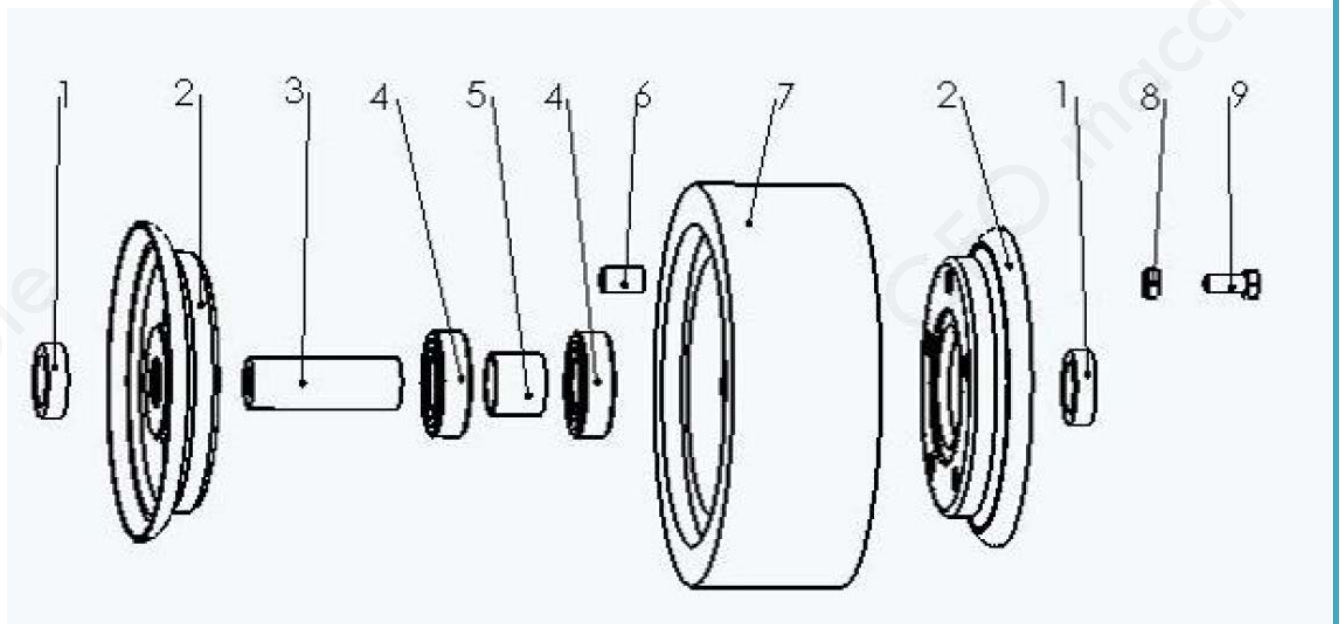
1	GB5783-86	Hex. head bolt M10x30	4
2	GB93-87	Spring lock washer 10	4
3	GB899-86	Locknut M24	1
4	GB97.1-85	Plain washier 24	1
5	FM120.01.102	Bearing cover	1
6	FM140-116	Gasket	4
7	GB9877.1-88	Oil seal 35x55x8	1
8	GB/T 276-94	Bearing 6307	3
9	FM140-118	FMeeve	1
10	FM120.01.101	Output shaft	1
11	FM120.01.104	Case	1
12	12.37.146	Washer 16	1

13	GB5786-86	Hex. head boltM16×1.5×18	1
14	FM120.01.103	Bevel gear	1
15	FM140-122	Input shaft	1
16	GB/T 276-94	Bearing 6208	1
17	GB9877.1-88	Oil seal 40×62×8	2
18	FM140-124	Gasket	1
19	FM140-123	Bearing seat	1
20	GB93-87	Spring lock washer 8	6
21	GB5783-86	Hex. head bolt M8×25	6

Sezione

3

DM_WheelAssembly



SerNo	PartNo	Description	Quantity
1	FM120.00.018a-5	Nylon FMeeve	2
2	FM120.00.018a-2	Steel rim	2
3	FM120.00.018a-6	Axle	1
4	GB279-88	Bearing	2
5	FM120.00.018a-4	FMeeve	1
6	FM120.00.018a-3	Bush	5
7	FM120.00.018a-1	Rubber tyre	1
8	GB6170-86	Hex. nut M8	5

