

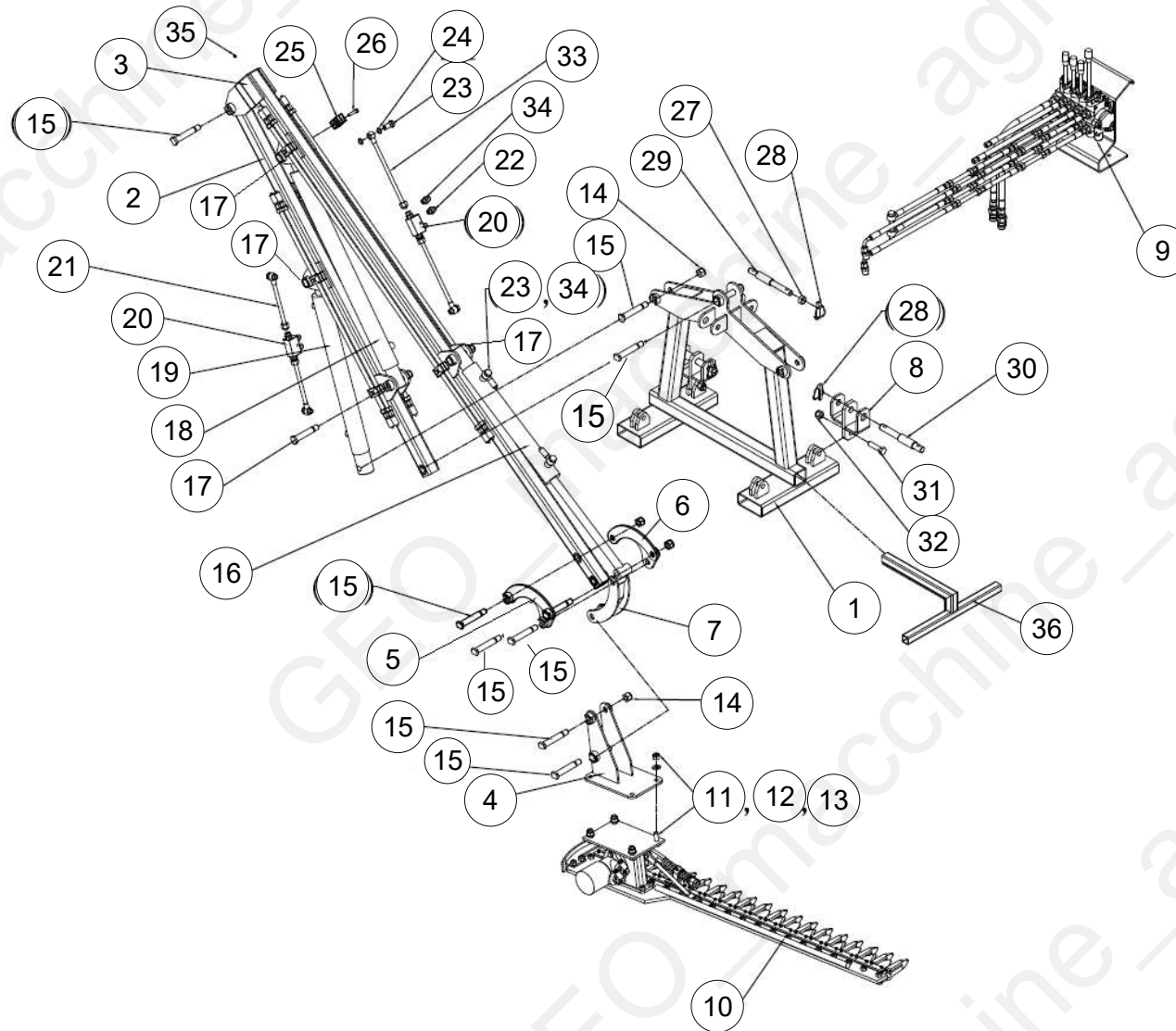
BRC



GEO Italy S.R.L.

Table of Contents

Tavola	Page
BRC_parte 1	3
BRC_parte 2	6
AMD_parte 1	8



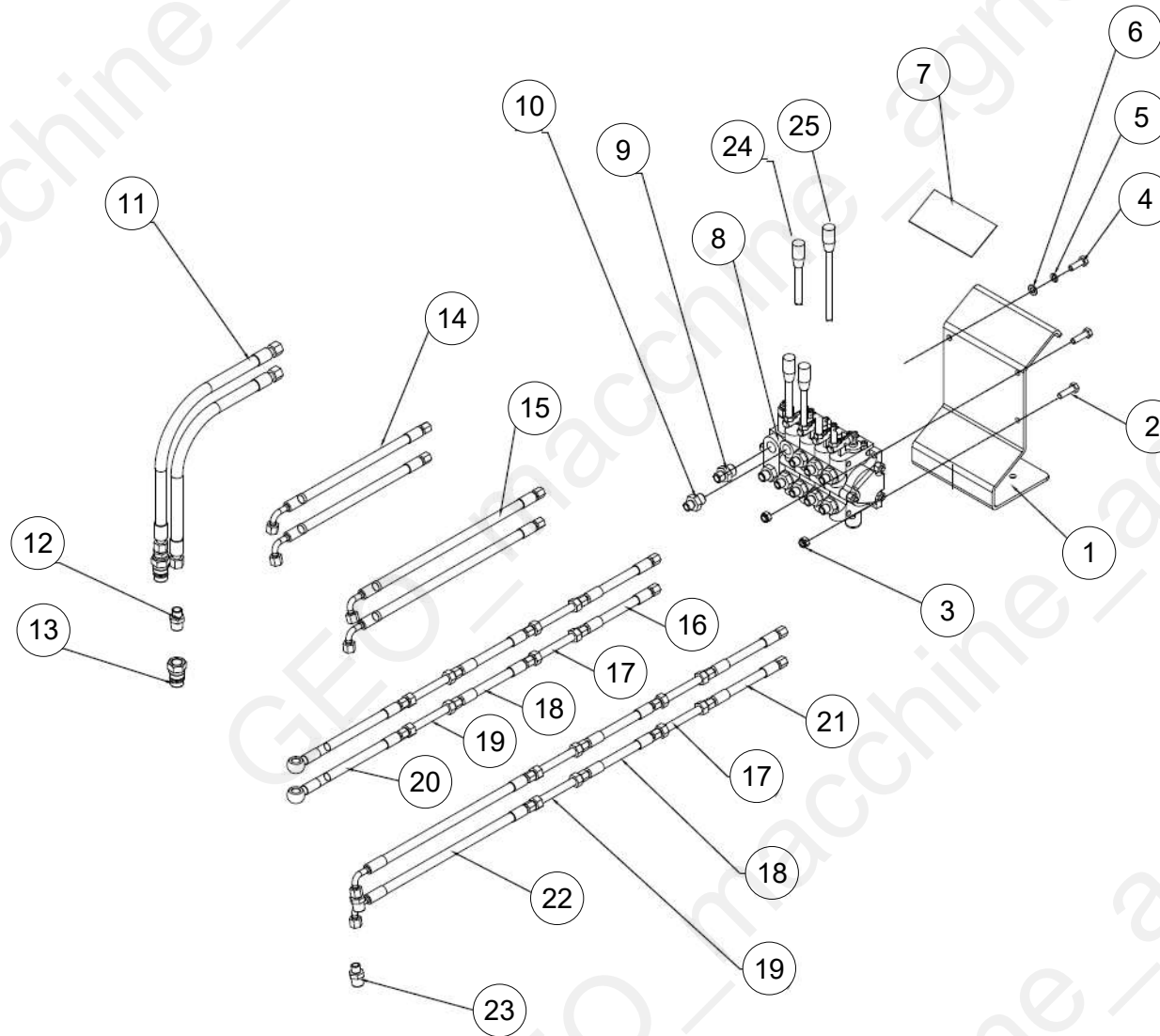
Pos	Code	Description	NOTE	Q.
1	CRM150.011	Main Frame Weldment		1
2	CRM150.012	Stand Weldment		1
3	CRM150.013	Swing Weldment		1
4	CRM150.014	Connection Seat Weldment		1
5	CRM150.015	Left Connecting Weldment		1
6	CRM150.016	Right Connecting Weldment		1
7	CRM150.017	Middle Connecting Weldment		1
8	CRM150.018	Lower Hanging Weldment		1
11	GB5783-M14x40	Bolt M14X40		4
12	GB97.1-14	Plain washer 14		4
13	GB889.1-M14	Locking nut M14		4
14	GB889.1-M18x1.5	Lock Nut M18x1.5		12
15	CRM150.101	Axle 127		8
16	CRM150.020	Reversal Cylinder		1
17	CRM150.102	Axle 118		4
18	CRM150.021	Swing Cylinder		1
19	CRM150.022	Stand Cylinder		1
20	FLP180.005	Hydraulic Valve		2
21	CRM150.023	Oil Hose 1		2
22	CRM150.103	Short Adapter 16-16		2
23	GB3451-M16x30	Hydraulic Bolt M16x1.5x30		6
24	GB3451-16	Copper Washer 16		12
25	TTP214	Clip		8
26	GB5783-M8x40	bolt M8X40		8
27	CRM150.104	Sleeve		1

Machine: BRC

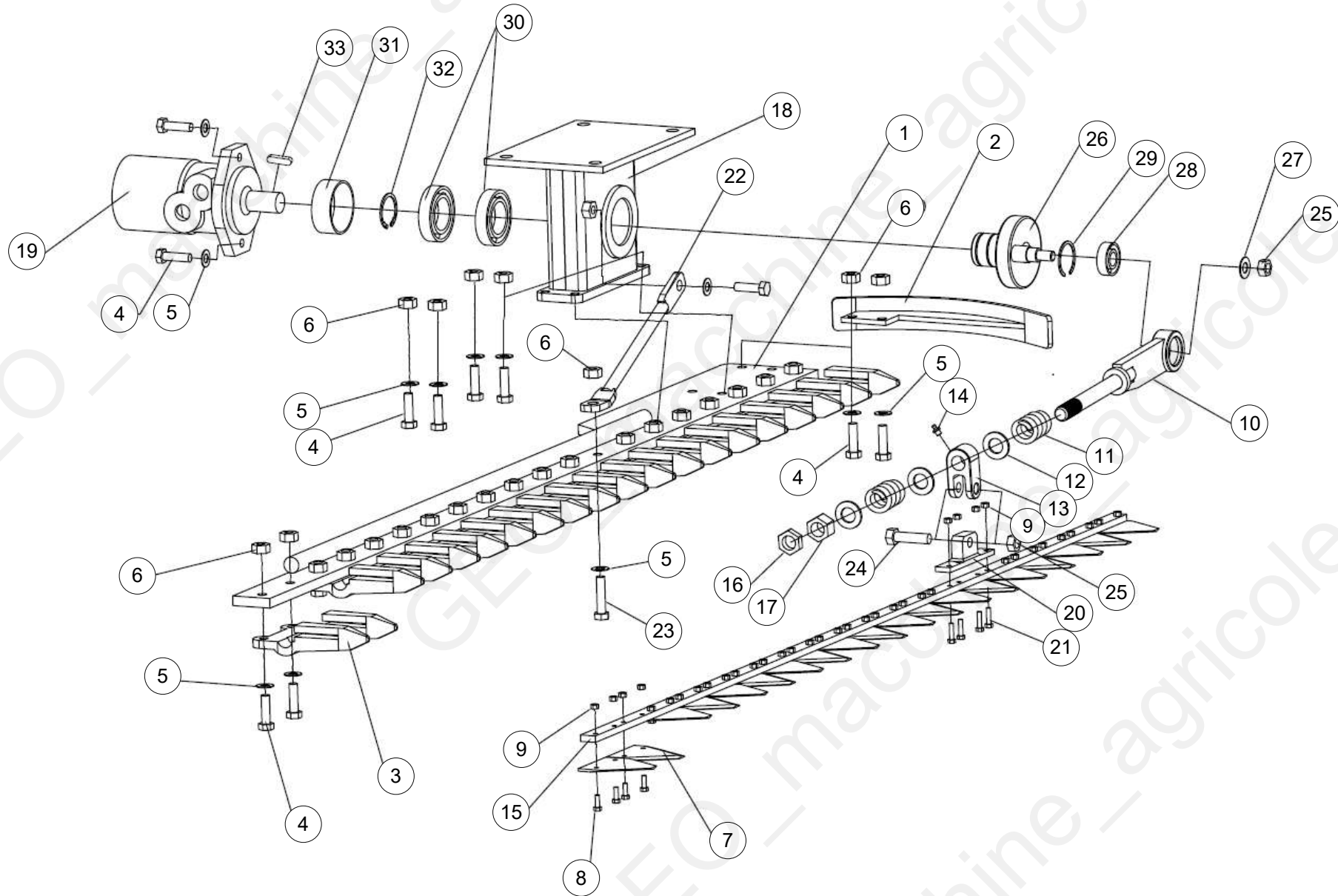
Assembly: BRC_parte 1



Pos	Code	Description	NOTE	Q.
28	LP-12	Lock Pin 12		3
29	BH5.40.101	Upper Pin		1
30	BH5.40.108	Low Pin		2
31	GB5782-M16x60	Bolt M16x60		2
32	GB889.1-M16	Locking nut M16		2
33	CRM150.024	Oil Hose 2		2
34	CRM150.105	Long Adapter 16-16		2
35	GB1152-M6	Grease Nipple M6		5
36	CRM150.019	Skidder		2



Pos	Code	Description	NOTE	Q.
1	CRM150.201	Valve Seat		1
2	GB5783-M10x35	Bolt M10X35		2
3	GB889.1-M10	Locking nut M10		2
4	GB5786-M10x1.25x30	Bolt M10x1.25x30		1
5	GB93-10	spring washer 10		1
6	GB97.1-10	PLAIN WASHER 10		1
7	CRM150.202	Lable		1
8	CRM150.003	Quadruple Multi-way Valve		1
9	CRM150.203	Valve-in Adapter		2
10	CRM150.204	Valve-out Adapter		8
11	CRM150.030	Valve-in Oil Hose		2
12	CRM150.205	Adapter R1/2-18		2
13	QC-R1/2-M	Quick Connector R1/2		2
14	CRM150.031	Stand Oil Hose		2
15	CRM150.032	Swing Oil Hose		2
16	CRM150.033	Swirl Oil Hose1		2
17	CRM150.034	Pipe 1		4
18	CRM150.035	Oil Hose		4
19	CRM150.036	Pipe 2		4
20	CRM150.037	Swirl Oil Hose2		2
21	CRM150.038	Motor Oil Hose 1		2
22	CRM150.039	Motor Oil Hose 2		2
23	CRM150.206	Adapter R1/2-16		2
24	CRM150.00.1	Handle for distributor		3
25	CRM150.00.2	Long Handle for distributor		1



Pos	Code	Description	NOTE	Q.
1	CH120.011	Main frame 120		1
1	CH150.011	Main frame 150		1
1	CH180.011	Main frame 180		1
2	CH150.012	Skid		1
3	CH150.101	Knife protector		10
4	GB5783-86/M10x35	Bolt M10X35		28
5	GB97.1/10	Plain washer 10		29
6	GB/T889.1-10	Locking nut M10		26
7	CH150.102	Knife		0
8	GB5783-86/M5x15	Bolt M5X15		34
9	GB/T889.1-5	Locking nut M5		38
10	CH150.013	Connector		1
11	CH150.106	Spring		2
12	GB97.1/18	Plain Washer 18		3
13	CH150.104	Block		1
14	GB1152-89/M6	Grease nipple M6		1
15	CH120.105.15	Knife keeper 120 (15 KNIVES)		1
15	CH150.105.19	Knife keeper 150 (19 KNIVES)		1
15	CH180.105.23	Knife keeper 180 (23 KNIVES)		1
16	GB6172-86/M18	Thin nut M18		1
17	GB6170-86-M18	Nut M18		1
18	CH150.014	Bearing house		1
19	CH150.002	Hydraulic motor		1
20	CH150.103	Block		1
21	GB5783-86/M5x30	Bolt M5X30		8

Machine: BRC

Assembly: AMD_parte 1



Pos	Code	Description	NOTE	Q.
22	CH150.015	Supporter		1
23	GB5783-86/M10x45	Bolt M10X45		1
24	GB5783-86/M12x45	Bolt M12X45		1
25	GB/T889.1-12	Locking nut M12		2
26	CH150.016	Bent axle		1
27	GB97.1/12	Plain washer 12		1
28	GB/T276-1994-6203	Bearing 6203		1
29	GB893.1-86/40	Circlip 40		1
30	GB/T276-1994-6008	Bearing 6008		2
31	CH150.107	Space bush		1
32	GB894.1-86-40	Circlip 40		1
33	GB/T1096-2003-A8X7X32	Key 8X7X32		1