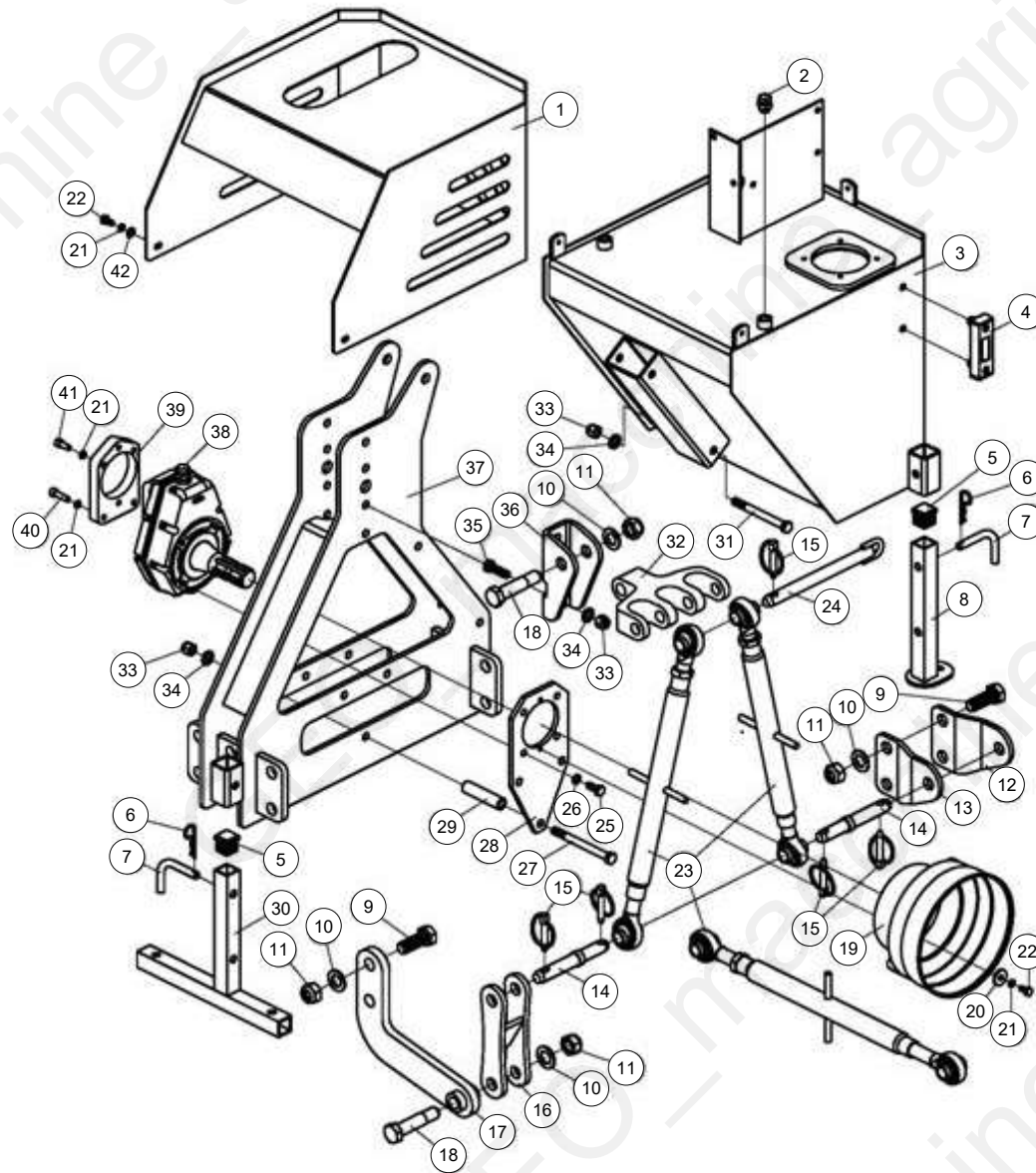


AM



Table of Contents

Tavola	Page
AM_parte 1	3
AM_parte 2	6
AM_parte 3	9
AM_parte 4	12
AM_parte 5	15
AM_parte 5_old	18



Machine: AM

Assembly: AM_parte 1



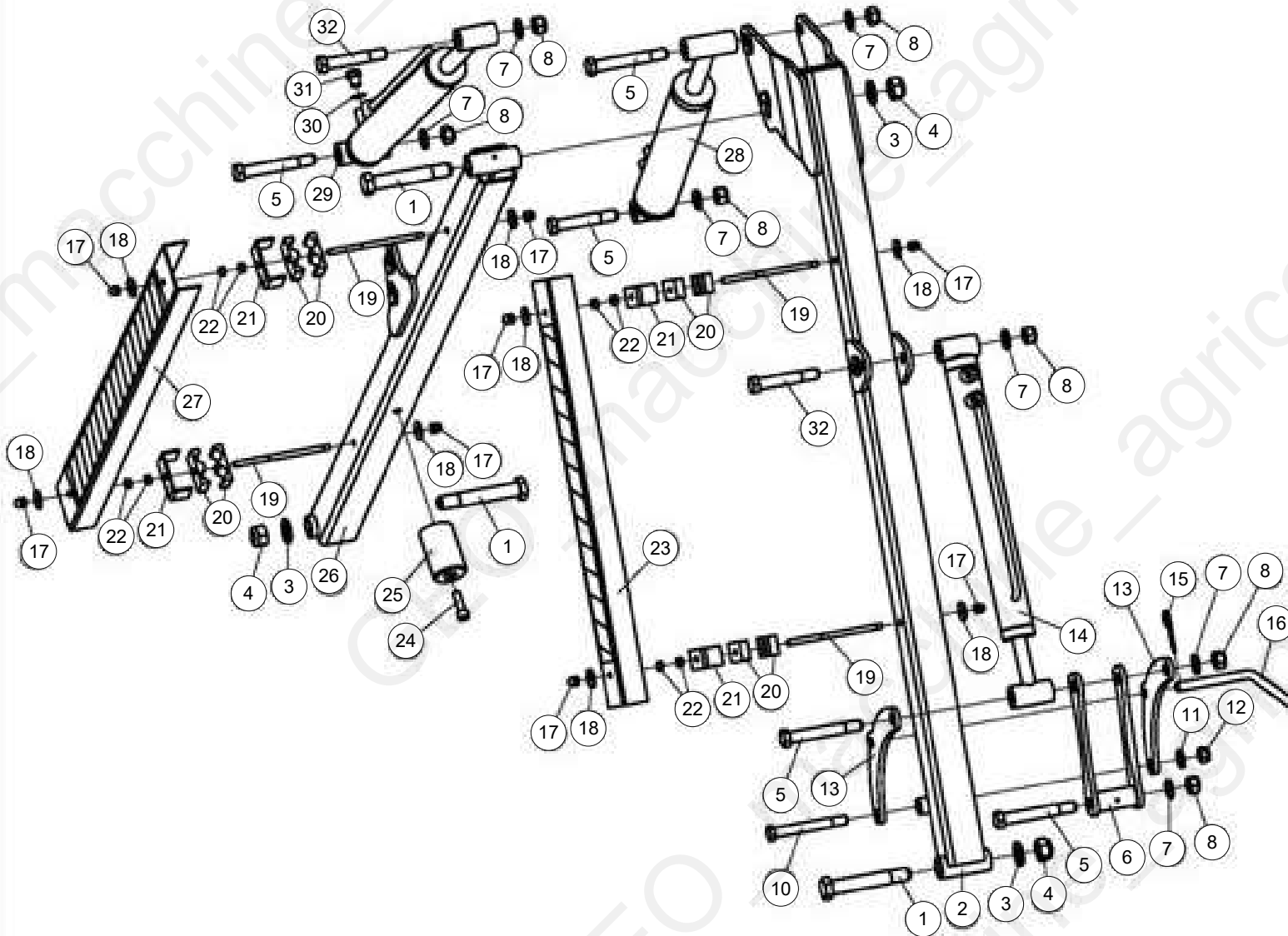
Pos	Code	Description	NOTE	Q.
1	AM60.03.016	Oil tank cover		1
2	CBW-00-011	breath plug		2
3	AM60.03.017Y-1	Oil tank		1
4	JB7941.2-B80	(YWZ-80T) Oil level		1
5	EF100.00.117	Cover		3
6	1G-150-01-142	R Pin		4
7	EF100.00.111A	square angle pin		3
8	AM60.03.018	Bearing foot		2
9	GB5783-M20X55	screw bolt M20x55		4
10	GB97.1-20	Plain washer 20		9
11	DIN985-M20	nut M20		9
12	AM60.03.114	Bottom Mount board A		1
13	AM60.03.115	Bottom Mount board B		1
14	AM60.03.113	Pin shaft		2
15	200.56.011	Lock pin		5
16	AM60.03.021	Hanging Weldment		1
17	AM60.03.022	L Shape Plate		1
18	GB27-M20X95	Screw M20*95		2
19	FM120.00.199	PTO cover		1
20	GB96.1-8	Plain washer8		10
21	GB93-8	Spring washer 8		5
22	GB5783-M8X16	bolt M8X16		5
23	AM60.03.020	Adjust plate		3
24	AM60.03.019	Upper mount board weldment		1
25	GB5786-M10X1.25X25	Screw M10*25		4

Machine: AM

Assembly: AM_parte 1



Pos	Code	Description	NOTE	Q.
26	GB93-10	spring washer 10		4
27	GB5782-M12X130	Bolt M12x130		3
28	AM60.03.102	Fixed board for gear box		1
29	AM60.03.101	Sleeve		3
30	AM60.03.010	Bearing foot		1
31	GB5782-M12X120	Bolt M12x120		2
32	AM60.03.112	Triple link		1
33	DIN985-M12	nut M12		3
34	GB97.1-12	plain washer 12		8
35	GB5783-M12X40	bolt M12x40		3
36	AM60.03.111	Upper mount fram		1
37	AM60.03.011	Fram weldment		1
38	AM60.03.012	Multiplier Gearbox		1
39	AM60.04.102	Outer Support for Pump		1
40	GB70.1-M8X30	Bolt M8x30		2
41	GB70.1-M8X20	Bolt M8x20		2
42	GB97.1-6	Plain washer 6		4



Machine: AM

Assembly: AM_parte 2



Pos	Code	Description	NOTE	Q.
1	GB27-M20X130	Bolt M20X130		3
2	AM60.03.014	Small arm weldment		1
3	GB97.1-20	Plain washer 20		9
4	DIN985-M20	nut M20		9
5	GB27-M16X120	Bolt M16X120		4
6	AM60.03.013	Push and pull board		1
7	GB97.1-16	Plain washer 16		7
8	DIN985-M16	Locking Nut M16		7
10	GB27-M14X120	Bolt		1
11	GB97.1-14	Plain washer 14		1
12	DIN985-M14	Locking Nut M14		1
13	AM60.03.103	Swing arm		2
14	AM60.04.016-1	Swing arm cylinder		1
15	1G-150-01-142	R Pin		4
16	AM60.03.110	Lock pin		1
17	GB923-M8	Nut M8		8
18	GB96.1-8	Plain washer8		10
19	AM60.03.109	Screw		4
20	AM60-03-105	Cylinder clamp		8
21	AM60.03.106	Press plate		4
22	GB6170-M8	Nut M8		8
23	AM60.03.107	Oil hose cover		1
24	GB70.1-M10X35	Bolt M10X35		1
25	AM60.03.104	Cushion		1
26	AM60.03.015	Large arm weldment		1

GEO Italy S.R.L.

Via G. Abbate, 215, 14054 Castagnole delle Lanze AT

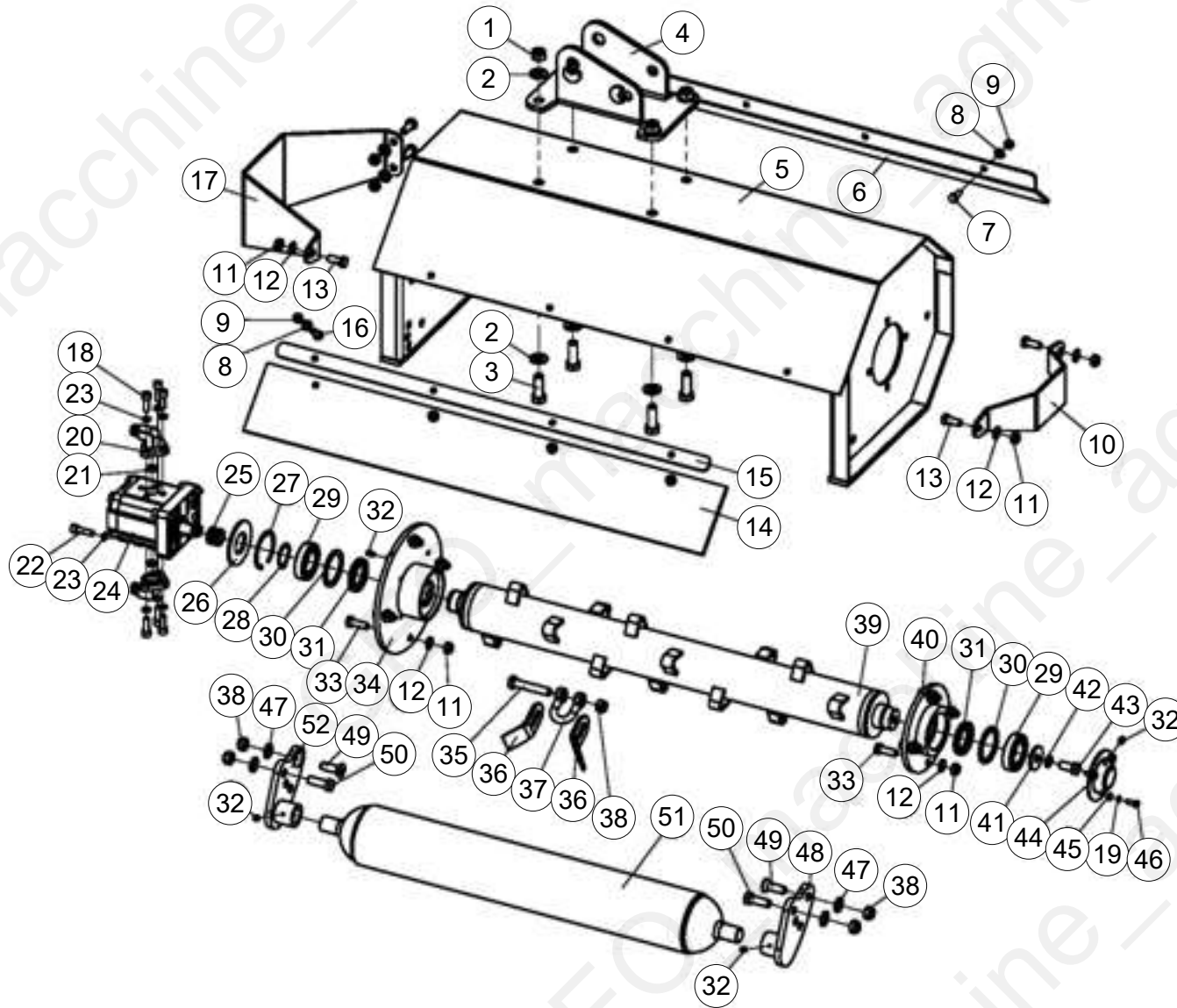
Page 7

Machine: AM

Assembly: AM_parte 2



Pos	Code	Description	NOTE	Q.
27	AM60.03.108	Oil hose cover		1
28	AM60.04.023	Cylinder		1
29	AM60.04.015	Cylinder		1
30	JB982-14	Combined oil seal 14		1
31	AM60.04.090	Breather		1
32	GB27-M16X100	Bolt		3



Pos	Code	Description	NOTE	Q.
1	DIN985-M14	Locking Nut M14		4
2	GB97.1-14	Plain washer 14		8
3	GB5783-M14X40	Bolt M14X40		4
4	AM60.02.017	Linkage weldment		1
5	AM125.02.010	Cover AM 125		1
6	AM125.02.110	Front cover plate AM 125		1
7	GB5783-M8X20	bolt M8X20		4
8	GB97.1-8	Plain washer 8		8
9	DIN985-M8	nut M8		8
10	AM60.02.108	Protect cover		1
11	DIN985-M10	Locking nut M10		13
12	GB97.1-10	PLAIN WASHER 10		13
13	GB5783-M10X25	Bolt M10X25		5
14	AM125.02.112	Rubber cover AM 125		1
15	AM125.02.111	Press plate AM 125		1
16	GB5783-M8X25	bolt M8X25		4
17	AM60.02.103	Motor protect cover		1
18	GB70.1-M8X25	Bolt M8x25		6
19	GB93-6	spring washer 6		3
20	AM60.02.104-2	Motor lingage		2
21	GB3452.1-G-23.6X2.65	Washer 23.6X2.65		2
22	GB70.1-M8X30	Bolt M8x30		4
23	GB93-8	Spring washer 8		10
24	HPLMA220BMLE5E5B00	Hydraulic Motor		1
25	AM60.02.102	key gear engine		1

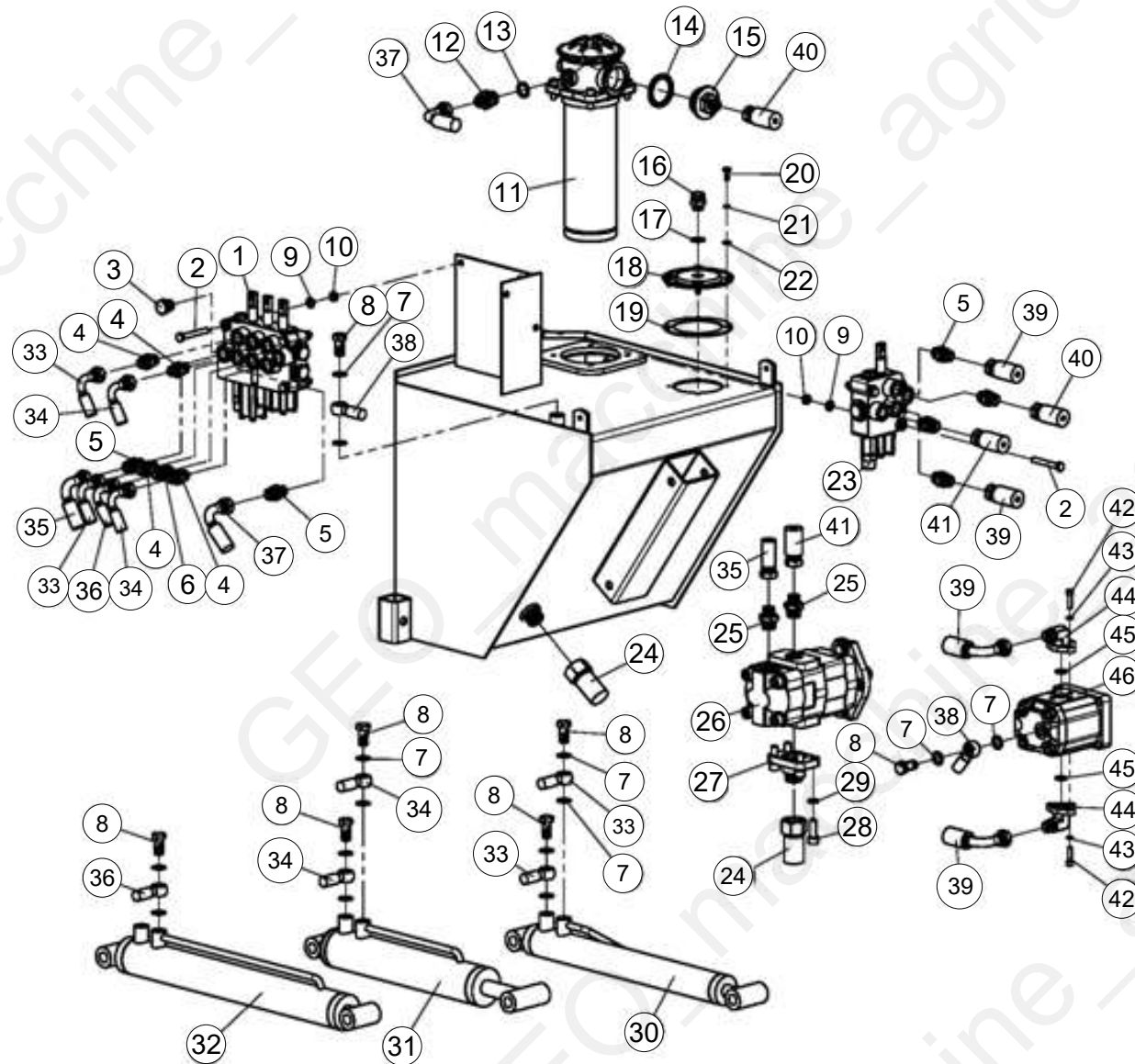
Pos	Code	Description	NOTE	Q.
26	AM60.02.141	Big Ring Cicle		1
27	GB893.1-62	Seeger J 62		1
28	GB894.1-35	Seeger A 35		1
29	GB276-6007	Bearing 6007		2
30	AM60.02.105	Small Ring Cicle		2
31	GB13871-FB-40X55X8	Oil seal circle		2
32	GB1152-M6	Grease Nipple M6		4
33	GB5783-M10X30	Bolt M10X30		8
34	AM60.02.011	Bearing seat		1
35	GB5782-M12X60	Bolt M12x60		16
36	AM60.02.106	Blade		32
37	AM60.02.107	Blade lock		16
38	DIN985-M12	nut M12		20
39	AM125.02.012	Blade axle AM 125		1
40	AM60.02.013	Bearing seat		1
41	MZ105.115	Retaining Lock washer		1
42	GB93-12	spring washer 12		1
43	GB5783-M12X25	Bolt M12X25		1
44	AM60.02.109	End cover		1
45	GB97.1-6	Plain washer 6		3
46	GB5783-M6X16	bolt M6X16		3
47	GB97.1-12	plain washer 12		4
48	AM60.02.014	Roller seat L		1
49	GB70.3-M12X30	Bolt M12x30		2
50	GB5783-M12X35	Bolt M12X35		2

Machine: AM

Assembly: AM_parte 3



Pos	Code	Description	NOTE	Q.
51	EFG120.012.125	Roller weldment 125		1
52	AM60.02.016	Roller seat R		1



Machine: AM

Assembly: AM_parte 4



Pos	Code	Description	NOTE	Q.
1	AM60.04.022Y	Triple way valve		1
2	GB5782-M8X60	Bolt M8x60		5
3	ZBT32001.3-ZG3/8-19"	ZG3/8-19 cap plug		1
4	MBH-8.08.302Y			3
5	1CB-18-06WD	Joint M18X1.5-G3/8		6
6	MBH-8.08.305Y	Throttle connector		2
7	JB982-14	Combined oil seal 14		14
8	GB3541-M14X1.5	hinge joint bolt M14X1.5		6
9	GB97.1-8	Plain washer 8		5
10	DIN985-M8	nut M8		5
11	RFA-100X30L	Oil filter		1
12	1CM-18WD	M18x1.5 adapter		1
13	GB3452.1-G-18X2.65	Washer 18X2.65		1
14	JB982-42	Combination washer		1
15	AM60.04.104-1	Connector		1
16	CBW-00-011	breath plug		1
17	JB982-16	Combined oil seal 16		1
18	MBH-8.08.117	Combination washer		1
19	MBH-8.08.118	Washer		1
20	GB5783-M6X12	bolt M6X12		4
21	GB93-6	spring washer 6		4
22	GB97.1-M6	Plain washer 6		4
23	AM60.04.017Y	Valve		1
24	AM60.04.011-1	Hydraulic Pipe		1
25	1CB-18-08WD	Joint M18X1.5-G3/8		2

GEO Italy S.R.L.

Via G. Abbate, 215, 14054 Castagnole delle Lanze AT

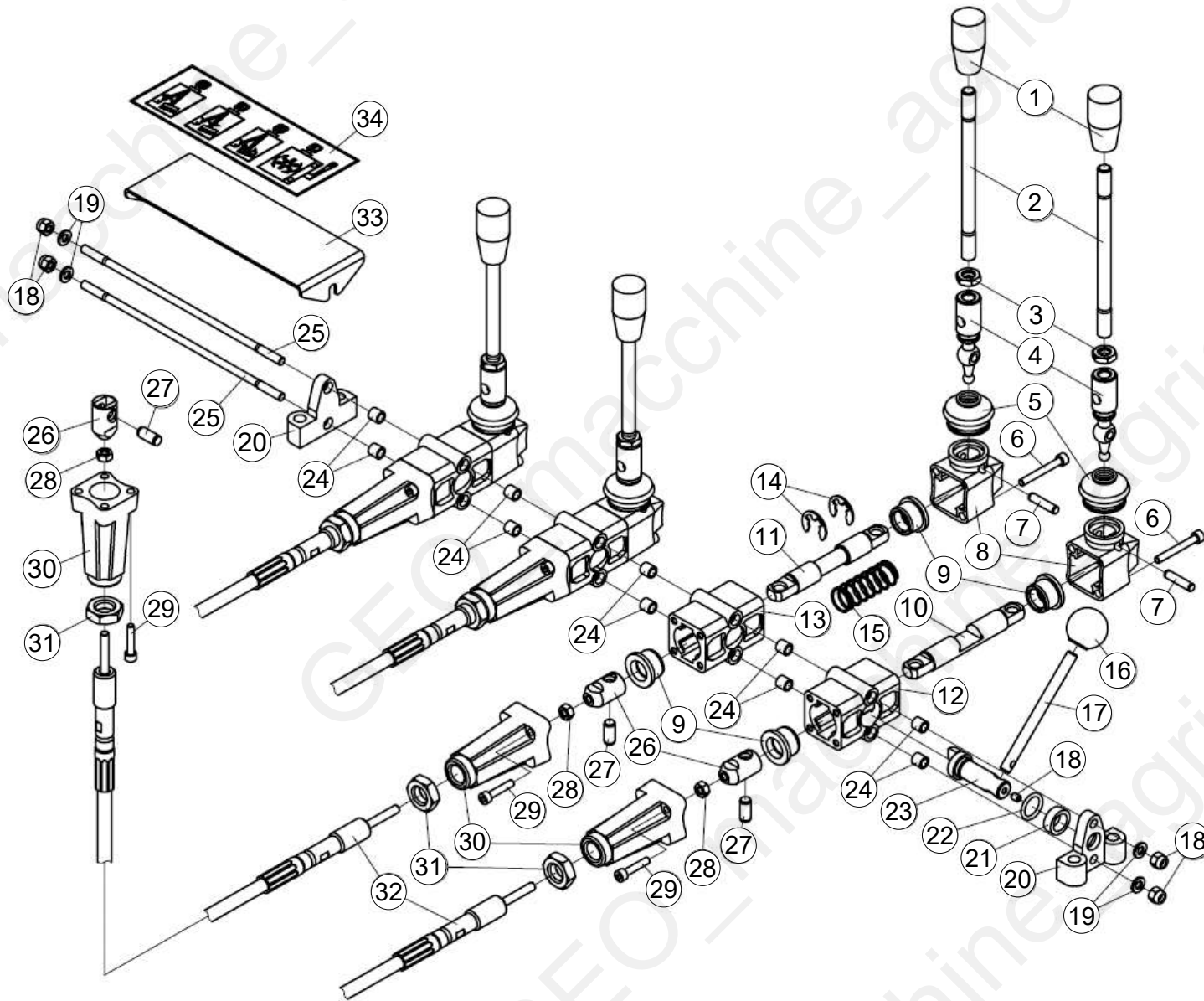
Page 14

Machine: AM

Assembly: AM_parte 4



Pos	Code	Description	NOTE	Q.
26	CBHY-G25/F4.5-ATP	PUMP		1
27	AM60.04.101-1	Connector		1
28	GB70.1-M10X30	Bolt M10x30		4
29	GB93-10	spring washer 10		4
30	AM60.04.016-1	Swing arm cylinder		1
31	AM60.04.023	Cylinder		1
32	AM60.04.015	Cylinder		1
33	AM60.04.020	Hydraulic Pipe		2
34	AM60.04.018	Hydraulic Pipe		2
35	AM60.04.025Y	Hydraulic Pipe		1
36	AM60.04.019	Hydraulic Pipe		1
37	AM60.04.021Y	Hydraulic Pipe		1
38	AM60.04.013	Hydraulic Pipe		1
39	AM60.04.014	Hydraulic Pipe		2
40	AM60.04.024Y	Hydraulic Pipe		1
41	AM60.04.012Y	Hydraulic Pipe		1
42	GB70.1-M8X25	Bolt M8x25		6
43	GB93-8	Spring washer 8		6
44	AM60.02.104-2	Motor lingage		2
45	GB3452.1-G-23.6X2.65	Washer 23.6X2.65		2
46	HPLMA220BMLE5E5B00	Hydraulic Motor		1



Machine: AM

Assembly: AM_parte 5



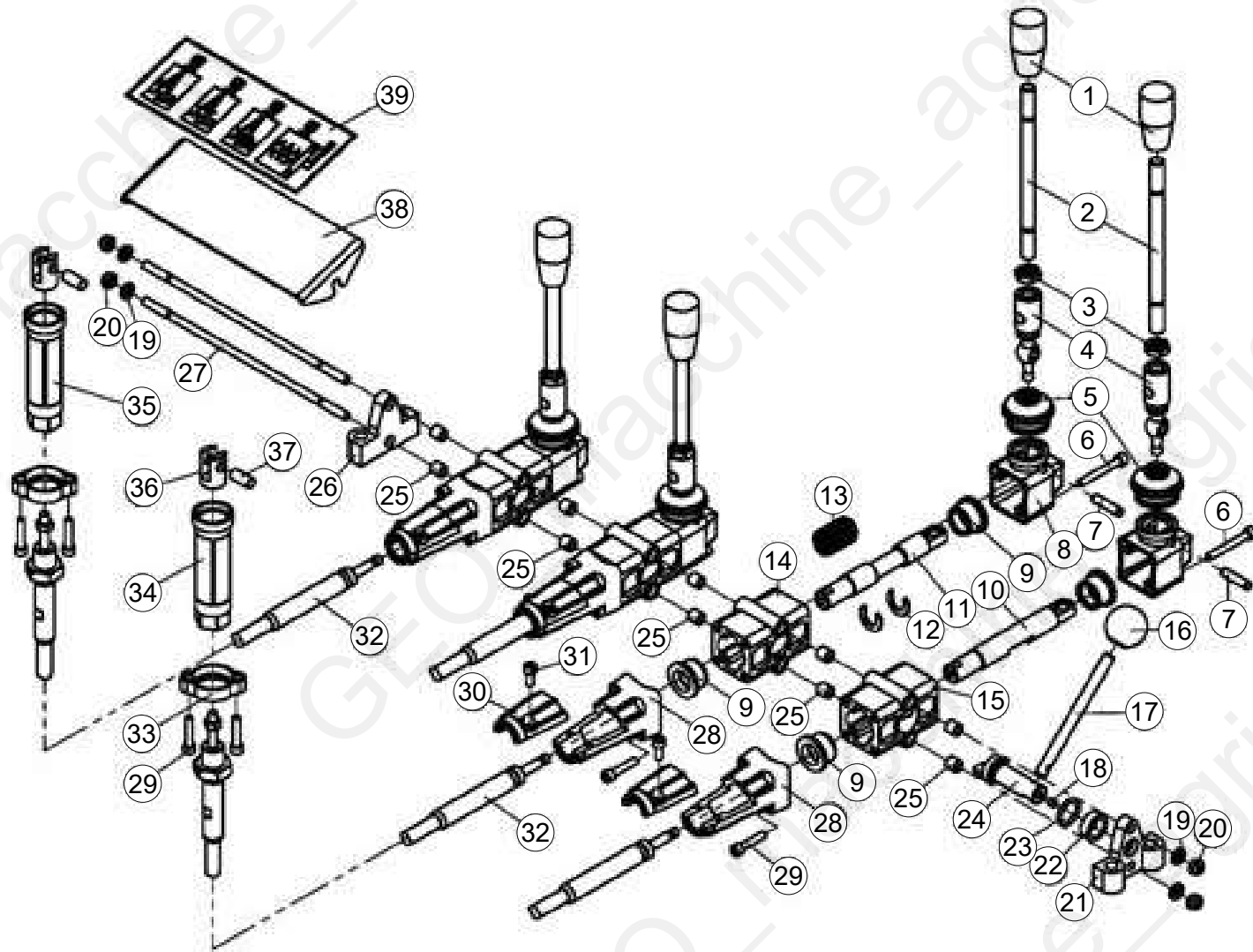
Pos	Code	Description	NOTE	Q.
1	BH-6.07.091	Small handle cap		4
2	AM60.01.121	Joy sticker		4
3	GB6172-86	Nut		4
4	AM60.01.120	Director		4
5	AM60.01.119	Cover		4
6	GB70.1-2000	Bolt		8
7	GB119-86	lock pin assembly diam 11		4
8	AM60.01.114	Up cover		4
9	AM60.01.109	flange sleeve		4
10	AM60.01.118	Pull pole		1
11	AM60.01.111	Pull pole		3
12	AM60.01.117	shell with pin hole		1
13	AM60.01.113	Shell Valve Piece		3
14	AM60.01.122	Circle		8
15	AM60.01.110	Return spring		4
16	AM60.04.092	Handle		1
17	AM60.01.107	lock joystick		1
18	GB6182-86	Nut		4
19	GB97.1-85	Plain washer		4
20	AM60.01.105	fixing seat		2
21	AM60.01.104	O - ring		1
22	GB3452.1-82	O - ring 8*2.65		1
23	AM60.01.106	Lock washer		1
24	AM60.01.103	Lock washer		10
25	AM60.01.101	Pin		2

Machine: AM

Assembly: AM_parte 5



Pos	Code	Description	NOTE	Q.
26	AM60.01.108	Connector		4
27	GB119-86	lock pin assembly diam 11		4
28	GB6170-86	Nut		4
29	GB70.1-2000	Bolt		8
30	AM60.01.112	Down cover		4
31	GB6182-86	Nut		4
32	AM60.01.011	Cable		4
33	AM60.01.115	Sticker plate		1
34	AM60.01.200	Sticker		1



Machine: AM

Assembly: AM_parte 5_old



Pos	Code	Description	NOTE	Q.
1	BH-6.07.091	Small handle cap		4
2	MBH-6.08.108	Joy stick		4
3	GB6172.1-M10	Nut M10		4
4	AM60.01.120	Director		4
5	AM60.01.119	Cover		4
6	GB70.1-M5X40	Bolt M5X40		8
7	GB119.1-B-6X26	B6X26 PIN		4
8	AM60.01.114	Up cover		4
9	AM60.01.109	flange sleeve		8
10	AM60.01.118A	Pull pole		1
11	AM60.01.111A	Pull pole		3
12	AM60.01.122	Circle		6
13	AM60.01.110	Return spring		3
14	AM60.01.113	Shell Valve Piece		3
15	AM60.01.117	shell with pin hole		1
16	AM60.04.092	Handle		1
17	AM60.01.107	lock joystick		1
18	GB78-M5X8	Bolt M5X8		1
19	GB97.1-6	Plain washer 6		4
20	DIN985-M6	Locking nut M6		4
21	AM60.01.105	fixing seat		1
22	AM60.01.104	O - ring		1
23	GB3452.1-G-16X2.65	Washer 16X2.65		1
24	AM60.01.106	Lock washer		1
25	AM60.01.103	Lock washer		10

Machine: AM

Assembly: AM_parte 5_old



Pos	Code	Description	NOTE	Q.
26	AM60.01.102	fixing seat 1		1
27	AM60.01.101	Pin		2
28	AM60.01.112A	lower cover		4
29	GB70.1-M5X25	Bolt M5X25		16
30	AM60.01.123A	Up cover		4
31	GB70.1-M5X12	Bolt M5X20		8
32	AM60.01.011A	Cable		4
33	AM60.01.201	Cable connector		4
34	AM60.01.202	pressure connector		3
35	AM60.01.203	connector		1
36	AM60.01.204	Lock connector		4
37	AM60.01.205	Pin		4
38	AM60.01.115	Sticker plate		1
39	AM60.01.200	Sticker		1