

## DP-DPS



**DP**

Trincia spostamento idraulico



**DPS**

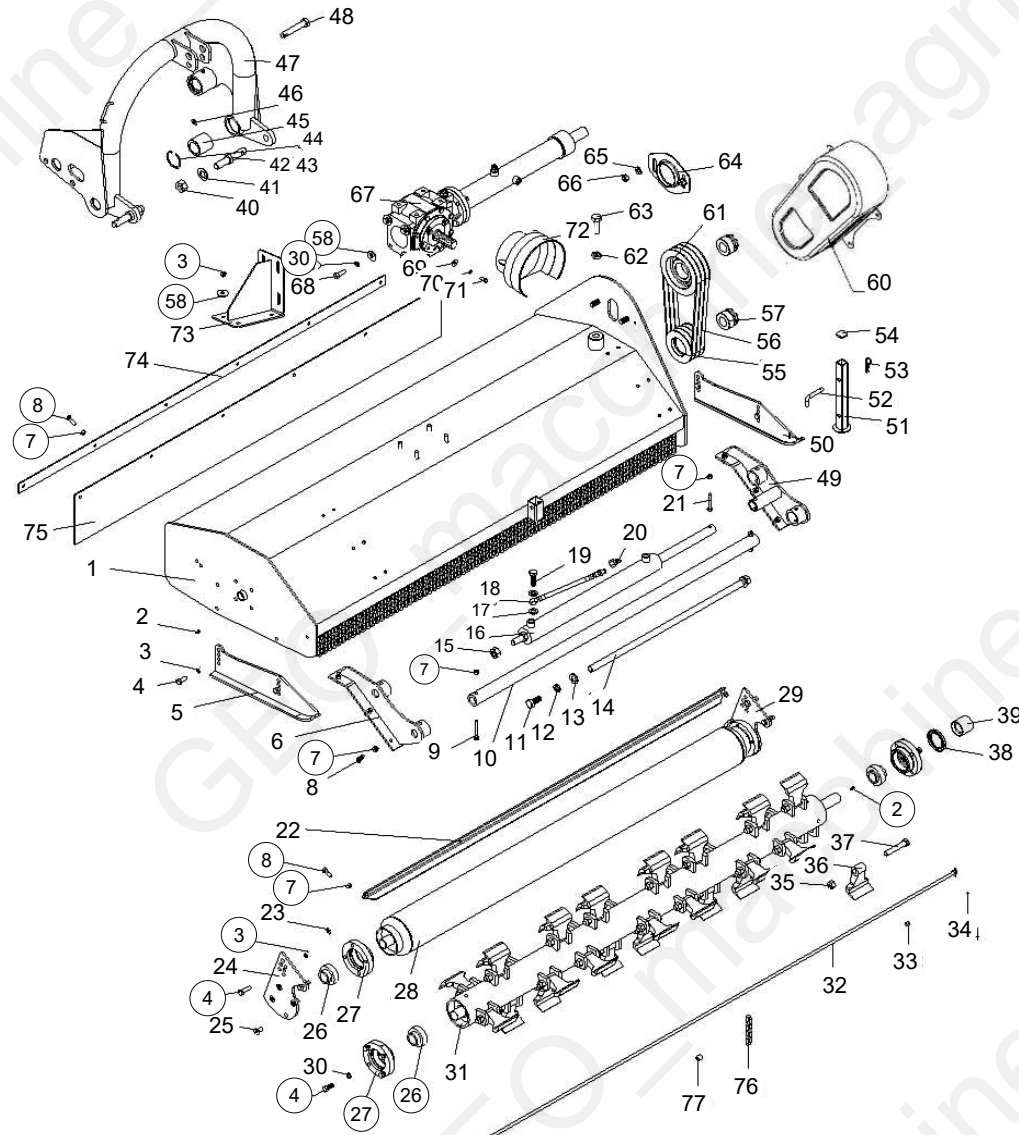
Trinciatrice fissa

# Table of Contents

<b>Tavola</b>	<b>Page</b>
DP	3
DPS	14
DP_2011_2013	24
DPS_2011_2013	34
DPS 220	44
DP 220	55

## DP





Pos	Code	Description	NOTE	Q.
1	DP155.013	The cover weldment 155		0
1	DP175.013	The cover weldment 175		1
1	DP205.013	The cover weldment 205		0
1	DP220.013	The cover weldment 220		0
2	GB1152-89/M8X1	Grease nipple M8		2
3	GB6184-86/M12	Locking nut M12		12
4	GB5783-86/M12X30	Bolt M12x30		16
5	DP175.015	Base plate (R)		1
6	DP175.012	Connecting bracket (R)		1
7	GB6184-86/M10	Locking nut M10		25
8	GB5783-86/M10x30	Bolt M10X30		20
9	GB/T5782-86-M10x70	Bolt M10x70		4
10	DP175.103	Guide rail		2
11	GB/T5783-86-M18x40	Bolt M18x40		2
12	GB93-87/18	Spring washer 18		2
13	GB97.1-85/18	Plain washer 18		2
14	DP175.101	Supporting tube		2
15	GB6184-86/M20	Locking nut M20		1
16	DP175.016	Slippage cylinder		1
17	GB3451-86/16	Washer 16		4
18	DP175.1017	Oil pipe		2
19	GB/T3451-2000	Bolt M16X1.5X30		2
20	EFGCH125.013	Quick connector R1/2"		2
21	GB/T5782-86-M10x60	Bolt M10x60		1
22	DP125.102	Mud shield 125		0

Pos	Code	Description	NOTE	Q.
22	DP155.102	Mud shield 155		0
22	DP175.102	Mud shield 175		1
22	DP205.102	Mud shield 205		0
23	JB/T7940.2-95	Oil cup M6		2
24	DP175.019	Supporting for roller (R)		1
25	GB/T70.3-2000-M12x25	Bolt M12x25		8
26	UC207	Bearing UC207		4
27	EFGC125.115	Flange Bearing UC 207		4
28	DP155.020	Roller weldment 155		0
28	DP175.020	Roller weldment 175		1
28	DP205.020	Roller weldment 205		0
28	DP220.020	Roller weldment 220		1
29	DP175.018.01	Supporting for roller (L)		1
30	GB93-87/12	Spring washer 12		12
31	EFGC155.018	Blade axle weldment 155		1
31	EFGC175.018	Blade axle weldment 175		1
31	EFGC205.018	Blade axle weldment 205		1
31	EFGC220.018	Blade axle weldment 220		1
32	DP155.030-1	Rod of Chain 155		1
32	DP175.030-1	Rod of Chain 175		1
32	DP205.030-1	Rod of Chain 205		1
32	DP220.030-1	Rod of Chain 220		1
33	GB/T6179-00-M8	Nut M8		1
34	GB/T91-2002/3.2x25	Cotter Pin 3.2x25		1
35	GB/T6184-86-M16X1.5	Locking nut M16X1.5		24

Pos	Code	Description	NOTE	Q.
36	EFGC.100.00.102	Blade Ø16mm		24
36	EFGC.100.00.107	Hammer Ø16mm		1
37	GB5785-M16X1.5X90	Bolt M16X1.5X90		24
38	GB13871-94-55x80x8	Oil seal FB55x80x8		1
39	RK120.109.3	Spacer lower for Pulley 3 grooves		1
39	RK120.109.4	Spacer lower for Pulley 4 grooves		1
40	GB/T6184-86-M22X1.5	Locking nut M22X1.5		2
41	GB97.1-85/22	Plain washer 22		2
42	EFGCH125.103	Pin for lifting		2
43	EFGCH125.102	Lockpin		2
44	GB893.1-86/60	Circlip 60		4
45	EFGCH125.107	Nylon bush		4
46	GB1152-89/M6	Grease nipple M6		4
47	DP175.011	Hanging weldment		1
48	EFGC125.123	HITCH PIN-TOP		1
49	DP175.021	Connecting bracket(L)		1
50	DP175.014	Base plate (L)		1
51	DP175.107	Supporting frame		1
52	1G135.00.107	Plug Pin		1
53	EFGC125.110	R Pin 3.2		1
54	EFGC125.112	Cover		1
55	EFG120.105.3	small belt pulley 120mm 3 grooves		1
55	EFG120.105.4	small belt pulley 120mm 4 grooves		1
56	GB/1154-17.39	BELT SP B 39 (991Li)		4
57	JB/T7934Z3-00	Swellable sleeve		2

Pos	Code	Description	NOTE	Q.
58	GB96-85/12	Plain washer 12		9
59	GB/T5782-86-M12X130	Bolt M12X130		1
60	GEO.500.10	GEO BELT COVER 500H 10cm		1
60	GEO.500.12	GEO BELT COVER 500H 12cm		1
61	EFG120.106.3	Big belt pulley 170mm 3 grooves		1
61	EFG120.106.4	Big belt pulley 170mm 4 grooves		1
62	GB/T6173-86	Nut M20x1.5		1
63	GB5786-86/M20X1.5X55	Bolt M20X1.5X55		1
64	EFGC125.120	Tension plate		1
65	GB97.1-85/14	Plain washer 14		2
66	GB6184-86/M14	Locking nut M14		2
68	GB5783-86/M12X35	Bolt M12x35		4
69	GB96-85/8	Plain washer 8		4
70	GB93-87/8	Spring washer 8		4
71	GB5783-86/M8X20	Bolt M8x20		4
72	DP175.104	Guard shade		1
73	EFGC125.024	Gearbox support		1
74	DPS155.056	Plate DPS 155		1
74	DPS175.056	Plate DPS 175		0
74	DPS205.056	Plate DPS 205		0
74	DPS220.056	Plate DPS 220		0
75	DP155.017	Rubber plate DP 155		0
75	DP175.017	Rubber plate DP 175		1
75	DP205.017	Rubber plate DP 205		0
75	DP220.017	Rubber plate DP 220		0

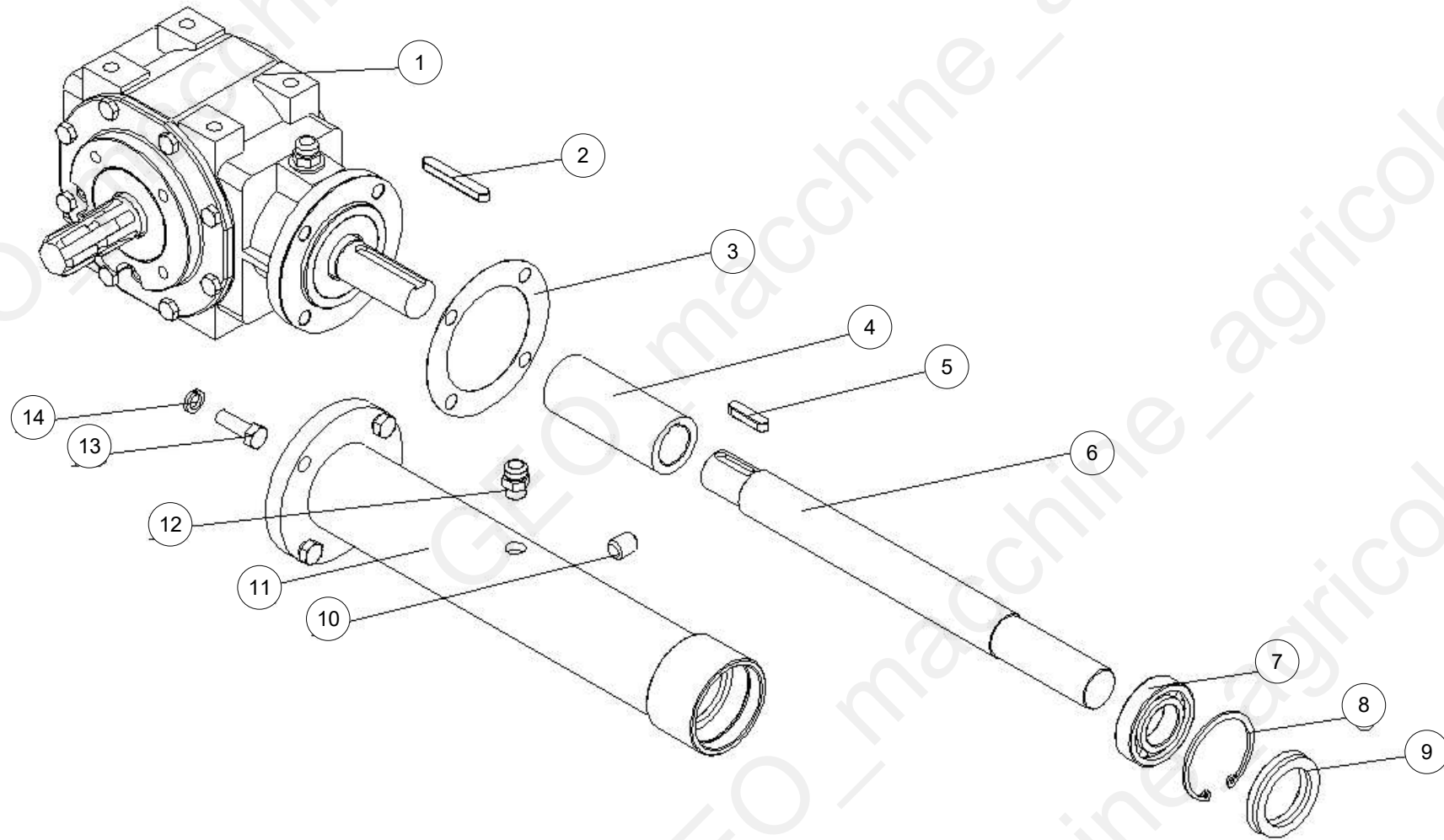


Machine: DP

Assembly: DP\_new\_parte 1



Pos	Code	Description	NOTE	Q.
76	DP175	China Units		60
77	AGF140.111	Sleeve of chain		61

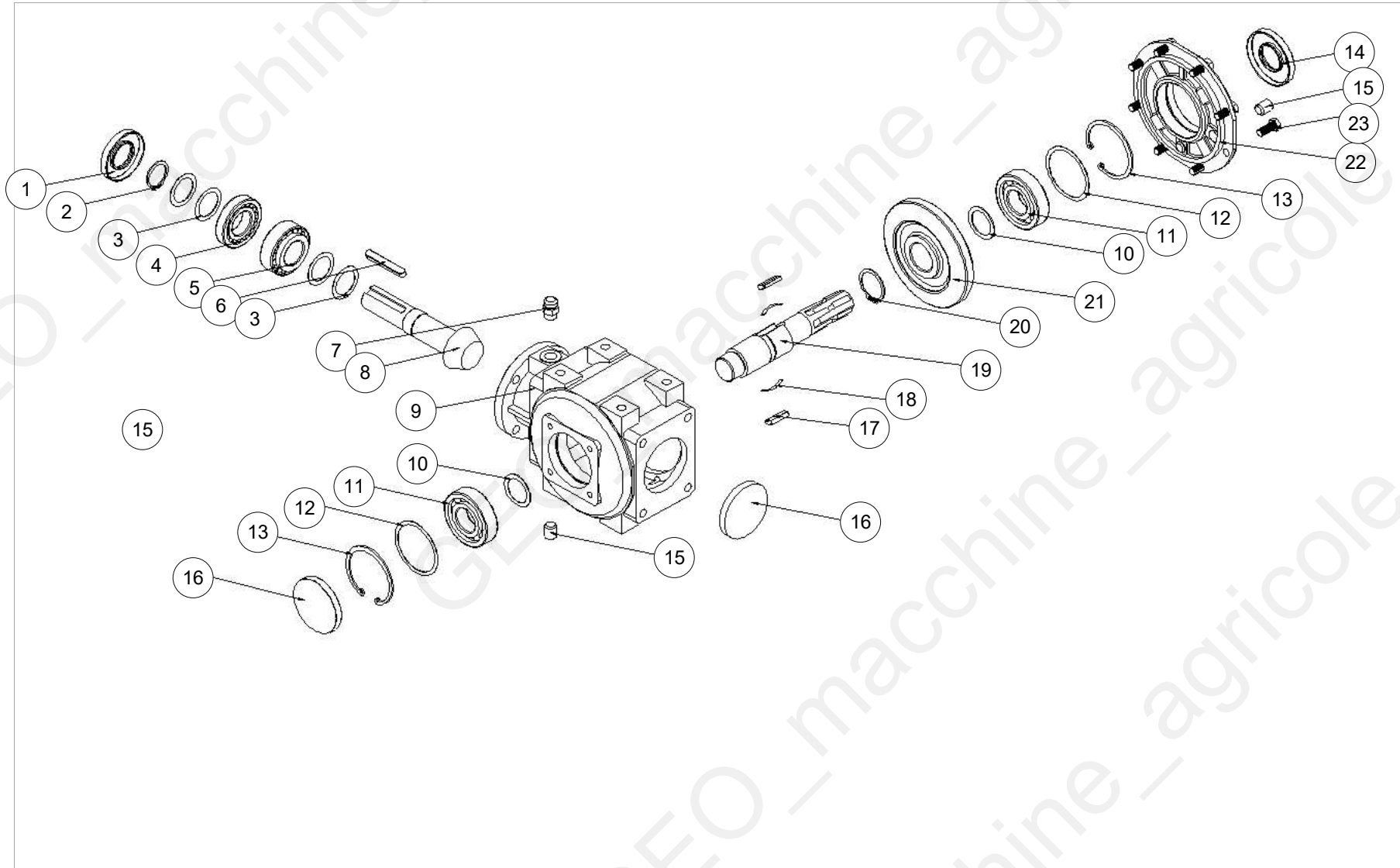


Machine: DP

Assembly: DP\_new\_parte 2



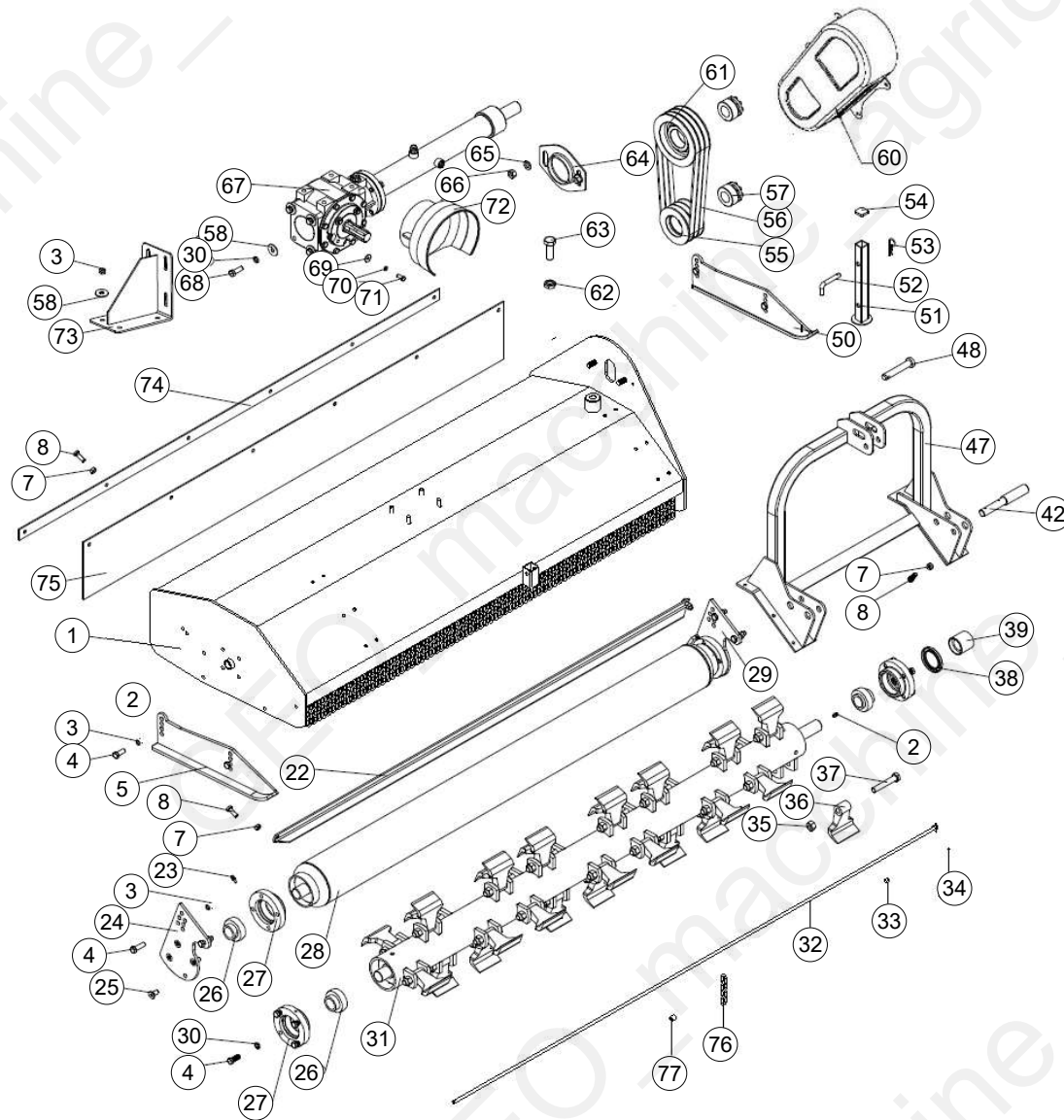
Pos	Code	Description	NOTE	Q.
1	XH50.300Z.02W	Gearbox assembly		1
2	GB1096-79/A10X70	Key A10x70		1
3	EFGC125.166	Paper gasket		1
4	EFGC125.167	Connected sleeve		1
5	GB1096-79/A10X40	Key A10X40		1
6	DP155.155	Shaft (155)		1
6	DP175.155	Shaft (175)		1
6	DP205.155	Shaft (205)		1
7	GB/T276-94/6207	Bearing 6207		1
8	GB893.1-86/72	Circlip 72		1
9	GB13871-94/35X72X10	Oil seal 35×72×10		1
10	ZBT.32001.3-87	Retainer ZG3/8"		1
11	DP155.023	Shaft tube weldment (155)		1
11	DP175.023	Shaft tube weldment (175)		1
11	DP205.023	Shaft tube weldment (205)		1
12	EFGC125.169.1	Bolt of plug screw ZG3/8"-19		1
13	GB5783-86/M12x35	Bolt M12×35		4
14	GB93-87/12	Spring washer 12		12



Pos	Code	Description	NOTE	Q.
1	GB9877.1-88/35X72X10	Oil seal 35×72×10		1
2	GB894.1-89/35	Circlips for shaft 35		1
3	TS50.300Z.01.110	Washer (S) 0.7		4
4	GB297-94/30207	Bearing 30207		1
5	GB297-94/32207	Bearing 32207		1
6	GB1096-79/10X65	Key 10X65		1
7	EFGC125.169.1	Bolt of plug screw ZG3/8"-19		1
8	TS50.300Z.01.111	Bevel gear shaft		1
9	TS50.300Z.01.101	Gearbox case		1
10	TS50.300Z.01.105	Washer (S) 1		2
11	GB/T276-94/6307	Bearing 6307		2
12	TS50.300Z.01.104	Washer (B) 0.7		2
13	GB893.1-86/80	Circlip 80		2
14	GB9877.1-88/35X80X10	Oil seal 35×80×10		1
15	ZBT.32001.3-87	Retainer ZG3/8"		1
16	TS50.300Z.01.106	Seal cover		2
17	TS50.300Z.01.108	Key		2
18	TS50.300Z.01.109	Spring		2
19	TS50.300Z.02.103	Pinion shaft		1
20	GB894.1-89/42	Circlips for shaft 42		1
21	TS50.300Z.01.107	Bevel gear		1
22	TS50.300Z.01.102	Gearbox cover		1
23	GB5783-86/M10X25	Bolt M10x25		8

## DPS







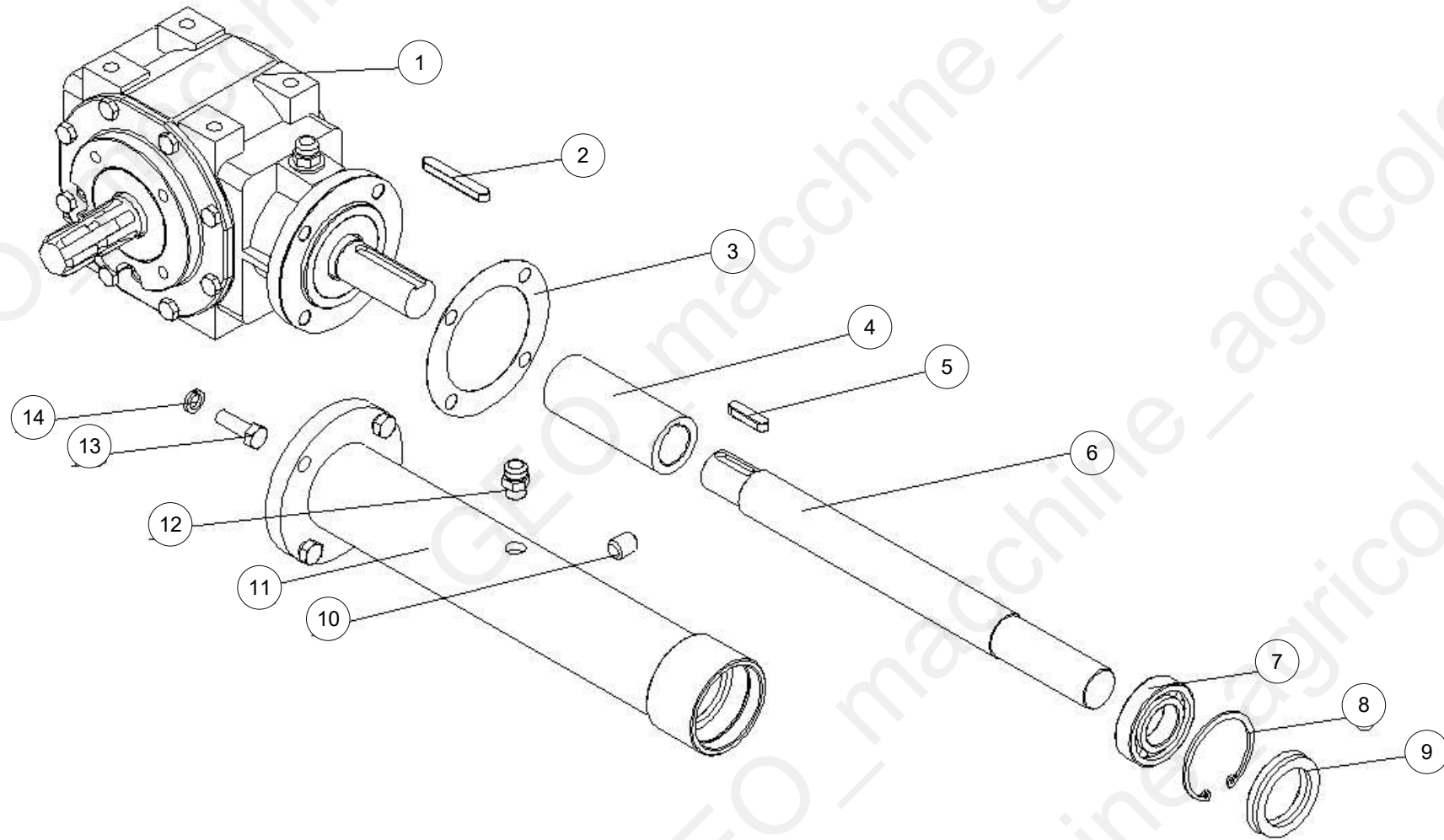
Pos	Code	Description	NOTE	Q.
1	DPS125.013	The cover weldment 125		1
1	DPS155.013	The cover weldment 155		1
1	DPS175.013	The cover weldment 175		1
1	DPS205.013	The cover weldment 205		1
1	DPS220.013	The cover weldment 220		1
2	GB1152-89/M8X1	Grease nipple M8		2
3	GB6184-86/M12	Locking nut M12		8
4	GB5783-86/M12X30	Bolt M12x30		16
5	DP175.015	Base plate (R)		1
7	GB6184-86/M10	Locking nut M10		2
8	GB5783-86/M10X30	Bolt M10X30		2
22	DP125.102	Mud shield 125		1
22	DP155.102	Mud shield 155		1
22	DP175.102	Mud shield 175		1
22	DP205.102	Mud shield 205		1
22	DP220.102	Mud shield 220		1
23	JB/T7940.2-95/M6	Oil cup M6		2
24	DP175.019	Supporting for roller (R)		1
25	GB70.3-2000/M12X25	Hex.head bolt M12X25		8
26	UC207	Bearing UC207		4
27	EFGC125.115	Flange Bearing UC 207		4
28	DP125.020	Roller weldment 125		1
28	DP155.020	Roller weldment 155		1
28	DP175.020	Roller weldment 175		1
28	DP205.020	Roller weldment 205		1



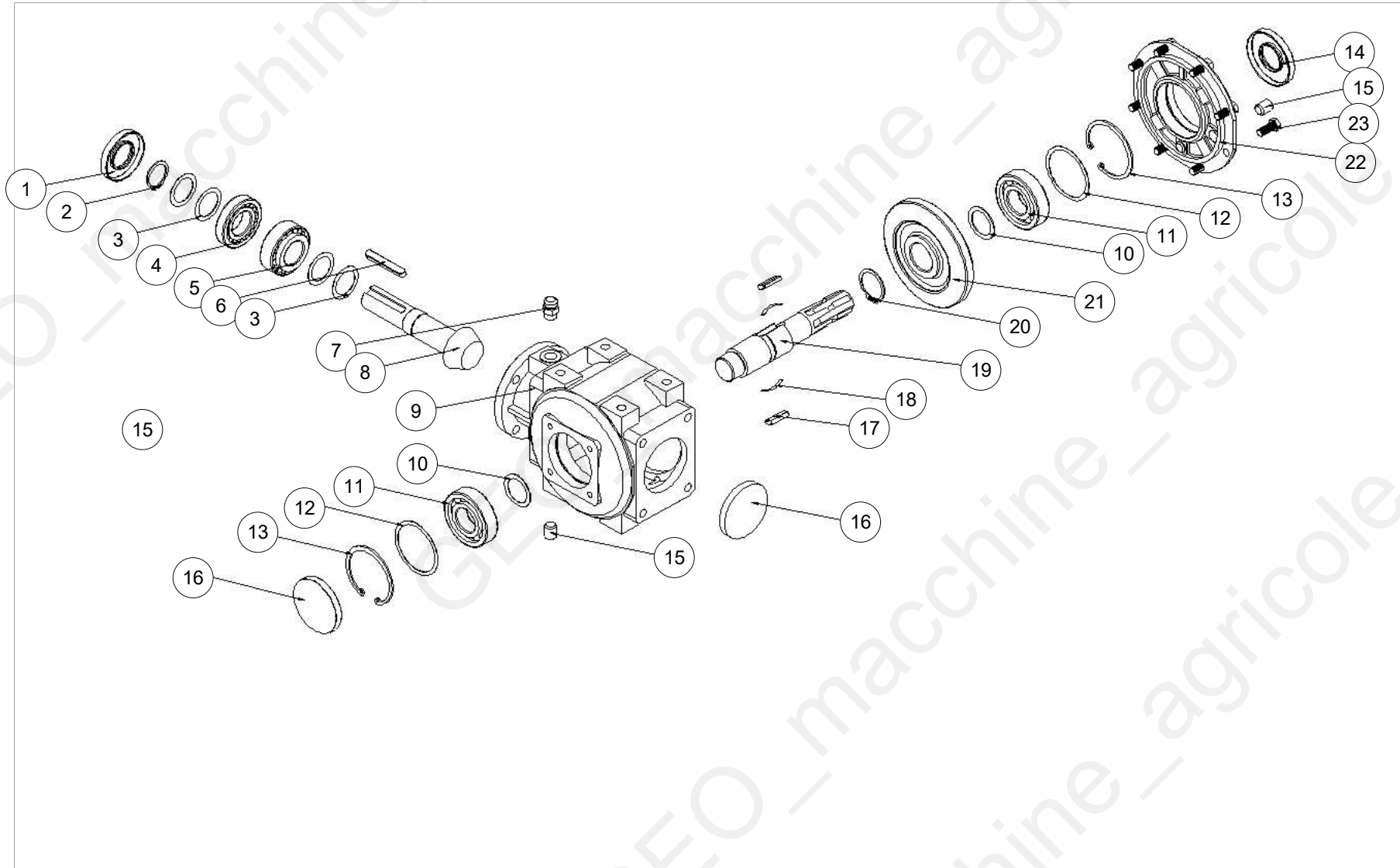
Pos	Code	Description	NOTE	Q.
28	DP220.020	Roller weldment 220		1
29	DP175.018.01	Supporting for roller (L)		1
30	GB93-87/12	Spring washer 12		12
31	EFGC125.018	Blade axle weldment 125		1
31	EFGC155.018	Blade axle weldment 155		1
31	EFGC175.018	Blade axle weldment 175		1
31	EFGC205.018	Blade axle weldment 205		1
31	EFGC220.018	Blade axle weldment 220		1
32	DP125.030-1	Rod of Chain 125		1
32	DP155.030-1	Rod of Chain 155		1
32	DP175.030-1	Rod of Chain 175		1
32	DP205.030-1	Rod of Chain 205		1
32	DP220.030-1	Rod of Chain 220		1
33	GB/T6179-00-M8	Nut M8		2
34	GB/T91-2002/3.2x25	Cotter Pin 3.2x25		1
35	GB6184-86/M16X1.5	Locking nut M16X1.5		2
36	EFGC.100.00.102	Blade Ø16mm		1
36	EFGC.100.00.107	Hammer Ø16mm		2
37	GB5785-M16X1.5X90	Bolt M16X1.5X90		2
38	GB13871-94/55X80X8	Oil seal FB55X80X8		1
39	RK120.109.3	Spacer lower for Pulley 3 grooves		1
39	RK120.109.4	Spacer lower for Pulley 4 grooves		1
42	BM30.102	Pin for lifting		2
47	DPS175.011	Hanging weldment		1
48	EFGC125.123	HITCH PIN-TOP		1

Pos	Code	Description	NOTE	Q.
50	DP175.014	Base plate (L)		1
51	DP175.107	Supporting frame		1
52	1G135.00.107	Plug Pin		1
53	EFGC125.110	R Pin 3.2		1
54	EFGC125.112	Cover		1
55	EFG120.105.3	small belt pulley 120mm 3 grooves		1
55	EFG120.105.4	small belt pulley 120mm 4 grooves		1
56	GB/1154-17.39	BELT SP B 39 (991Li)		4
57	JB/T7934Z3/35X60	Swellable sleeve 35X60		2
58	GB96-85/12	Plain washer 12		5
59	GB5782-86/M12X120	Bolt M12x120		1
60	GEO.500.10	GEO BELT COVER 500H 10cm		1
60	GEO.500.12	GEO BELT COVER 500H 12cm		1
61	EFG120.106.3	Big belt pulley 170mm 3 grooves		1
61	EFG120.106.4	Big belt pulley 170mm 4 grooves		1
62	GB6173-86/M20x1.5	Nut M20x1.5		1
63	GB5786-86/M20X1.5X55	Bolt M20X1.5X55		1
64	EFGC125.120	Tension plate		1
65	GB97.1-85/14	Plain washer 14		2
66	GB6184-86/M14	Locking nut M14		2
68	GB5783-86/M12X35	Bolt M12×35		4
69	GB96-85/8	Plain washer 8		4
70	GB93-87/8	Spring washer 8		4
71	GB5783-86/M8X20	Bolt M8x20		4
72	DP175.104	Guard shade		1

Pos	Code	Description	NOTE	Q.
73	DPS.175.026	Adjusting frame for the gear box		1
74	DPS125.056	Plate DPS 125		1
74	DPS155.056	Plate DPS 155		1
74	DPS175.056	Plate DPS 175		1
74	DPS205.056	Plate DPS 205		1
74	DPS220.056	Plate DPS 220		1
75	DPS.125.017	Rubber DPS 125		1
75	DPS155.017	Rubber DPS 155		1
75	DPS175.017	Rubber DPS 175		1
75	DPS205.017	Rubber DPS 205		1
75	DPS220.017	Rubber DPS 220		1
76	DP175	China Units		60
77	AGF140.111	Sleeve of chain		61



Pos	Code	Description	NOTE	Q.
1	XH50.300Z.02W	Gearbox assembly		1
2	GB1096-79/A10X70	Key A10x70		1
3	EFGC125.166	Paper gasket		1
4	EFGC125.167	Connected sleeve		1
5	GB1096-79/A10X40	Key A10X40		1
6	DP155.155	Shaft (155)		1
6	DP175.155	Shaft (175)		1
6	DP205.155	Shaft (205)		1
7	GB/T276-94/6207	Bearing 6207		1
8	GB893.1-86/72	Circlip 72		1
9	GB13871-94/35X72X10	Oil seal 35×72×10		1
10	ZBT.32001.3-87	Retainer ZG3/8"		1
11	DP155.023	Shaft tube weldment (155)		1
11	DP175.023	Shaft tube weldment (175)		1
11	DP205.023	Shaft tube weldment (205)		1
12	EFGC125.169.1	Bolt of plug screw ZG3/8"-19		1
13	GB5783-86/M12x35	Bolt M12×35		4
14	GB93-87/12	Spring washer 12		12

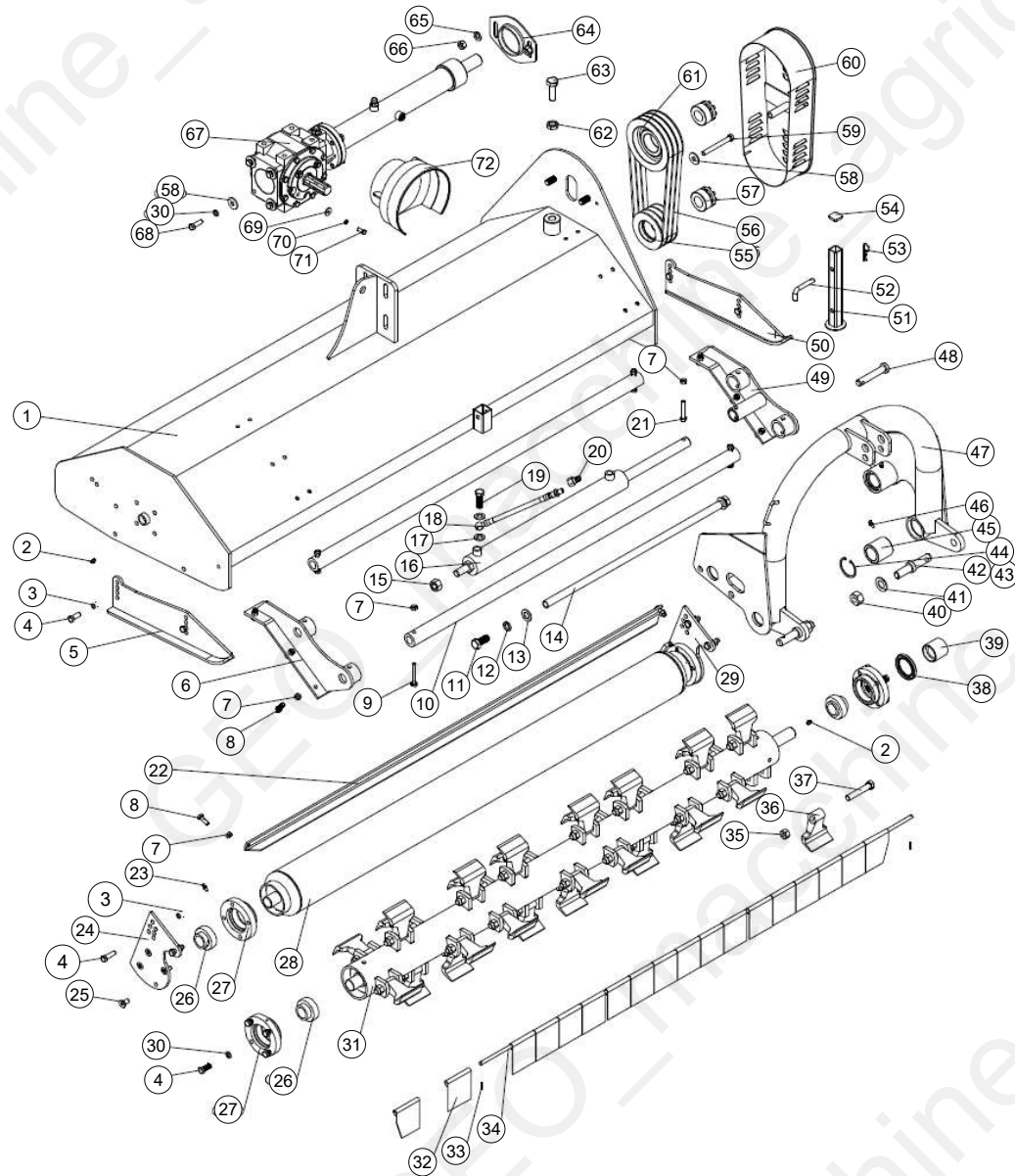


Pos	Code	Description	NOTE	Q.
1	GB9877.1-88/35X72X10	Oil seal 35×72×10		1
2	GB894.1-89/35	Circlips for shaft 35		1
3	TS50.300Z.01.110	Washer (S) 0.7		4
4	GB297-94/30207	Bearing 30207		1
5	GB297-94/32207	Bearing 32207		1
6	GB1096-79/10X65	Key 10X65		1
7	EFGC125.169.1	Bolt of plug screw ZG3/8"-19		1
8	TS50.300Z.01.111	Bevel gear shaft		1
9	TS50.300Z.01.101	Gearbox case		1
10	TS50.300Z.01.105	Washer (S) 1		2
11	GB/T276-94/6307	Bearing 6307		2
12	TS50.300Z.01.104	Washer (B) 0.7		2
13	GB893.1-86/80	Circlip 80		2
14	GB9877.1-88/35X80X10	Oil seal 35×80×10		1
15	ZBT.32001.3-87	Retainer ZG3/8"		1
16	TS50.300Z.01.106	Seal cover		2
17	TS50.300Z.01.108	Key		2
18	TS50.300Z.01.109	Spring		2
19	TS50.300Z.02.103	Pinion shaft		1
20	GB894.1-89/42	Circlips for shaft 42		1
21	TS50.300Z.01.107	Bevel gear		1
22	TS50.300Z.01.102	Gearbox cover		1
23	GB5783-86/M10X25	Bolt M10x25		8

## DP\_2011\_2013





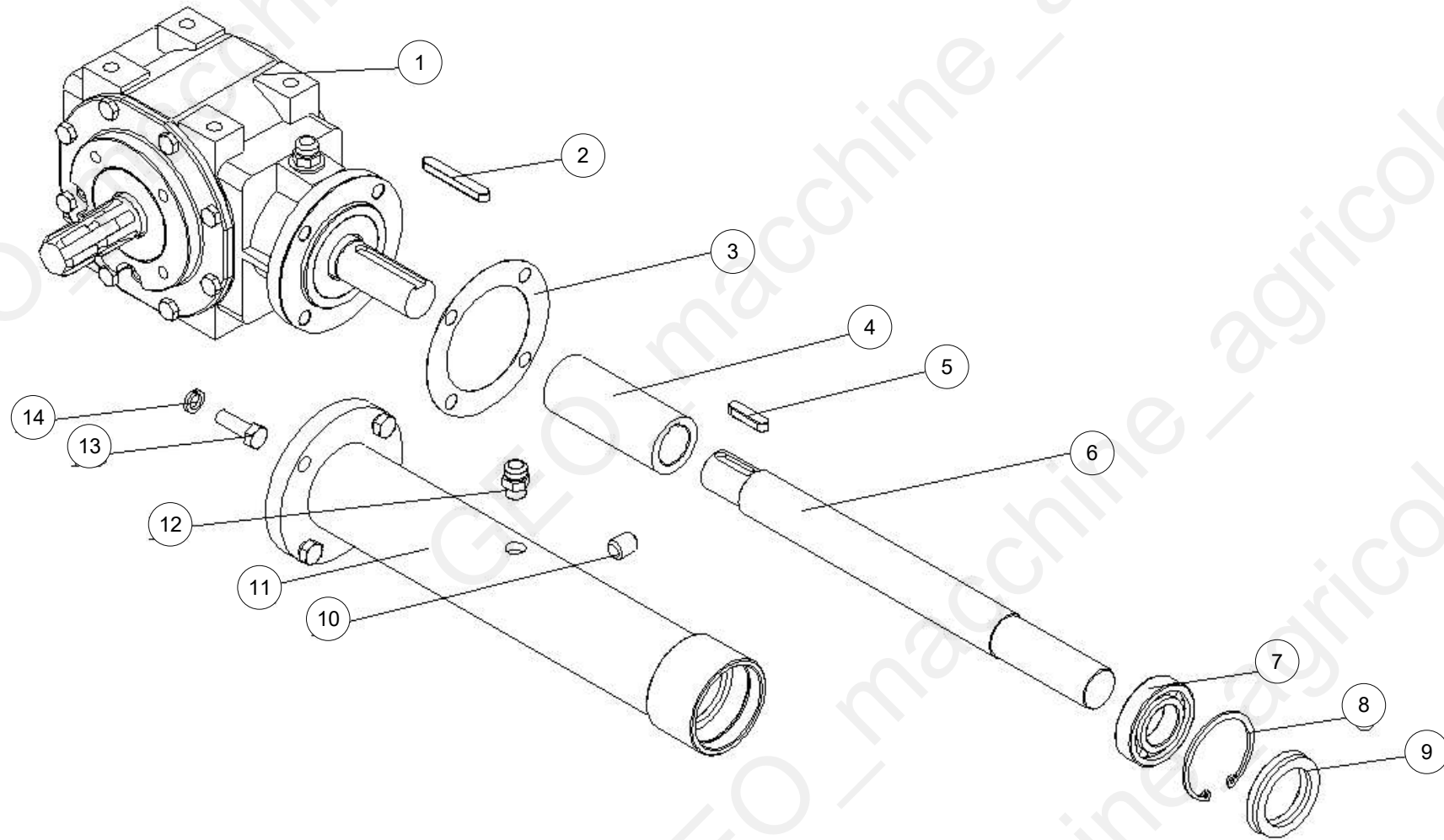


Pos	Code	Description	NOTE	Q.
1	DP155.013	The cover weldment 155		1
1	DP175.013	The cover weldment 175		1
1	DP205.013	The cover weldment 205		1
1	DP220.013	The cover weldment 220		1
2	GB1152-89/M8X1	Grease nipple M8		2
3	GB6184-86/M12	Locking nut M12		8
4	GB5783-86/M12X30	Bolt M12x30		16
5	DP175.015	Base plate (R)		1
6	DP175.012	Connecting bracket (R)		1
7	GB6184-86/M10	Locking nut M10		19
8	GB5783-86/M10X30	Bolt M10X30		14
9	GB5782-86/M10X70	Bolt M10x70		4
10	DP125.103	Guide rail		2
11	GB5783-86/M18X40	Bolt M18X40		2
12	GB93-87/18	Spring washer 18		2
13	GB97.1-85/18	Plain washer 18		2
14	DP175.101	Supporting tube		2
15	GB6184-86/M20	Locking nut M20		1
16	DP175.016	Slippage cylinder		1
17	GB3451-86/16	Washer 16		4
18	DP175.1017	Oil pipe		2
19	GB3451/M16X1.5X30	Bolt M16X1.5X30		2
20	EFGCH125.013	Quick connector R1/2"		2
21	GB5782-86/M10X60	Bolt M10x60		1
22	DP155.102	Mud shield 155		1

Pos	Code	Description	NOTE	Q.
22	DP175.102	Mud shield 175		1
22	DP205.102	Mud shield 205		1
22	DP220.102	Mud shield 220		1
23	JB/T7940.2-95/M6	Oil cup M6		2
24	DP175.019	Supporting for roller (R)		1
25	GB70.3-2000/M12X25	Hex.head bolt M12X25		8
26	UC207	Bearing UC207		4
27	EFGC125.115	Flange Bearing UC 207		4
28	DP155.020	Roller weldment 155		1
28	DP175.020	Roller weldment 175		1
28	DP205.020	Roller weldment 205		1
28	DP220.020	Roller weldment 220		1
29	DP175.018.01	Supporting for roller (L)		1
30	GB93-87/12	Spring washer 12		12
31	DP155.018	Blade axle weldment 155		1
31	DP175.018	Blade axle weldment 175		1
31	DP205.018	Blade axle weldment 205		1
31	DP220.018	Blade axle weldment 220		1
32	EFGC125.113	Fender		1
33	GB879-86/4X22	Elastic cylindrical pin 4x22		2
34	DP155.030-1	Rod of Chain 155		1
34	DP175.030-1	Rod of Chain 175		1
34	DP205.030-1	Rod of Chain 205		1
34	DP220.030-1	Rod of Chain 220		1
35	GB6184-86/M16X1.5	Locking nut M16X1.5		2

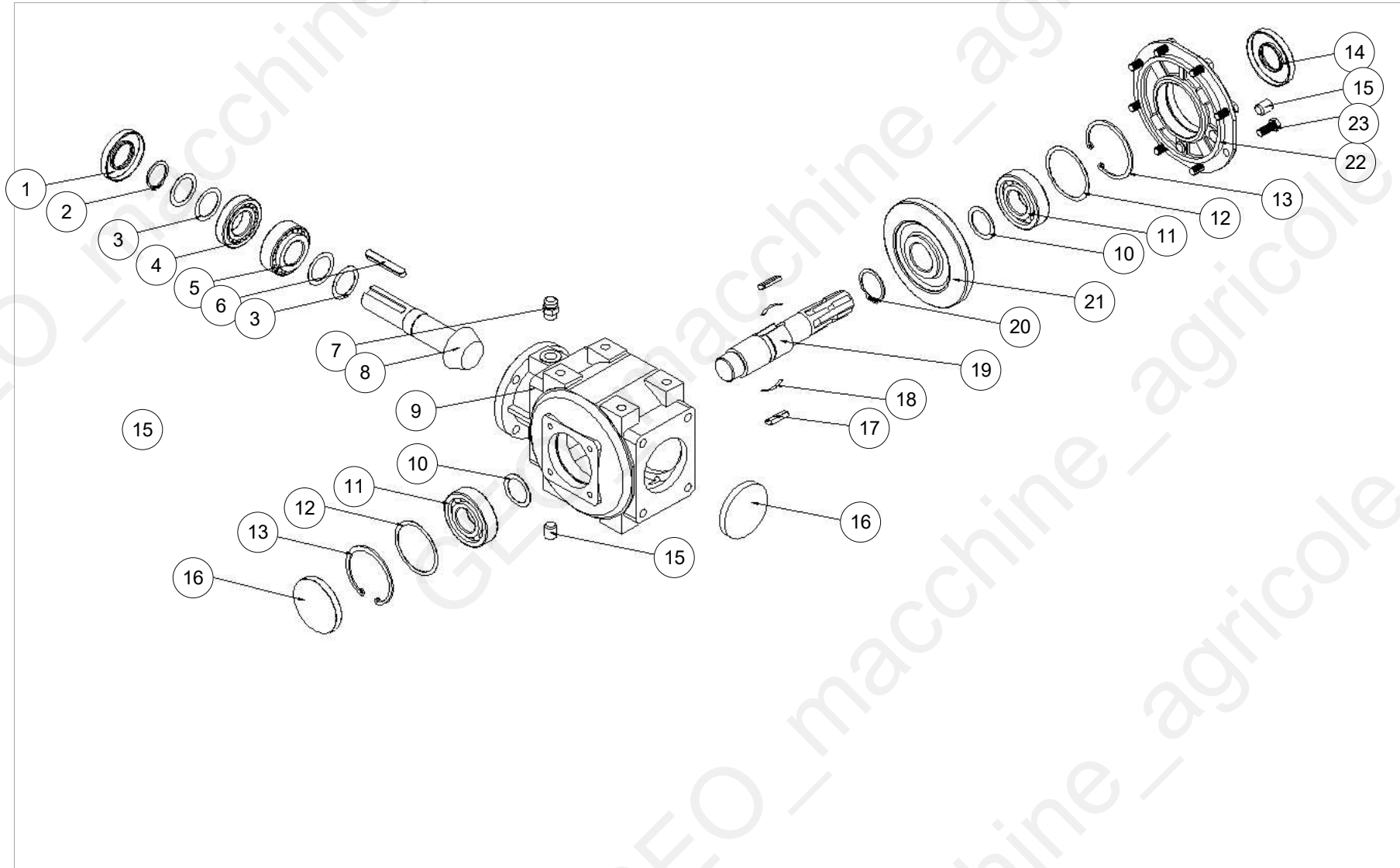
Pos	Code	Description	NOTE	Q.
36	EFGC.100.00.102	Blade Ø16mm		24
36	EFGC.100.00.107	Hammer Ø16mm		1
37	GB5785/M16X1.5X90	Bolt M16X1.5X90 125		28
38	GB13871-94/55X80X8	Oil seal FB55X80X8		1
39	RK120.109.3	Spacer lower for Pulley 3 grooves		1
39	RK120.109.4	Spacer lower for Pulley 4 grooves		1
40	GB6184-86/M22X1.5	Locking nut M22X1.5		2
41	GB97.1-85/22	Plain washer 22		2
42	EFGCH125.103	Pin for lifting		2
43	EFGCH125.102	Lockpin		2
44	GB893.1-86/60	Circlip 60		4
45	EFGCH125.107	Nylon bush		4
46	GB1152-89/M6	Grease nipple M6		4
47	DP175.011	Hanging weldment		1
48	EFGC125.123	HITCH PIN-TOP		1
49	DP175.021	Connecting bracket(L)		1
50	DP175.014	Base plate (L)		1
51	EFGC125.111	Supporting frame		1
52	1G135.00.107	Plug Pin		1
53	EFGC125.110	R Pin 3.2		1
54	EFGC125.112	Cover		1
55	EFG120.105.3	small belt pulley 120mm 3 grooves		1
55	EFG120.105.4	small belt pulley 120mm 4 grooves		1
56	GB/1154-17.39-5	BELT B 39 1/2 (1000Li)		3
57	JB/T7934Z3/35X60	Swellable sleeve 35X60		2

Pos	Code	Description	NOTE	Q.
58	GB96-85/12	Plain washer 12		5
59	GB5782-86/M12X120	Bolt M12x120		1
60	EFGC125.012.12	Belt cover OLD 120 mm		1
61	EFG120.106.3	Big belt pulley 170mm 3 grooves		1
61	EFG120.106.4	Big belt pulley 170mm 4 grooves		1
62	GB6173-86/M20x1.5	Nut M20x1.5		1
63	GB5786-86/M20X1.5X55	Bolt M20X1.5X55		1
64	EFGC125.120	Tension plate		1
65	GB97.1-85/14	Plain washer 14		2
66	GB6184-86/M14	Locking nut M14		2
68	GB5783-86/M12X35	Bolt M12x35		4
69	GB96-85/8	Plain washer 8		4
70	GB93-87/8	Spring washer 8		4
71	GB5783-86/M8X20	Bolt M8x20		4
72	FM150.120	Guard shade		1



Pos	Code	Description	NOTE	Q.
1	XH50.300Z.02W	Gearbox assembly		1
2	GB1096-79/A10X70	Key A10x70		1
3	EFGC125.166	Paper gasket		1
4	EFGC125.167	Connected sleeve		1
5	GB1096-79/A10X40	Key A10X40		1
6	DP155.155	Shaft (155)		1
6	DP175.155	Shaft (175)		1
6	DP205.155	Shaft (205)		1
7	GB/T276-94/6207	Bearing 6207		1
8	GB893.1-86/72	Circlip 72		1
9	GB13871-94/35X72X10	Oil seal 35×72×10		1
10	ZBT.32001.3-87	Retainer ZG3/8"		1
11	DP155.023	Shaft tube weldment (155)		1
11	DP175.023	Shaft tube weldment (175)		1
11	DP205.023	Shaft tube weldment (205)		1
12	EFGC125.169.1	Bolt of plug screw ZG3/8"-19		1
13	GB5783-86/M12x35	Bolt M12×35		4
14	GB93-87/12	Spring washer 12		12





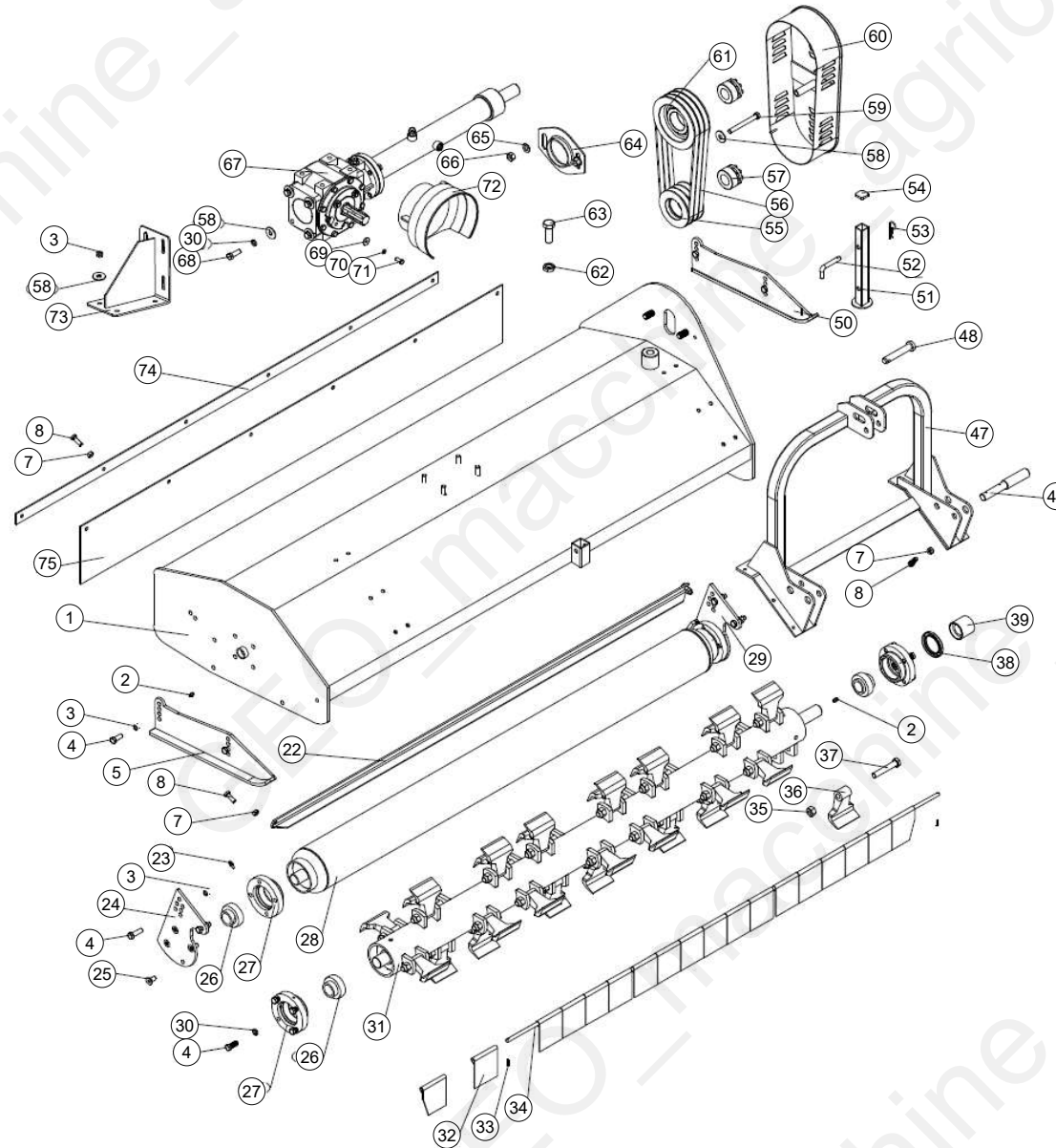


Pos	Code	Description	NOTE	Q.
1	GB9877.1-88/35X72X10	Oil seal 35×72×10		1
2	GB894.1-89/35	Circlips for shaft 35		1
3	TS50.300Z.01.110	Washer (S) 0.7		4
4	GB297-94/30207	Bearing 30207		1
5	GB297-94/32207	Bearing 32207		1
6	GB1096-79/10X65	Key 10X65		1
7	EFGC125.169.1	Bolt of plug screw ZG3/8"-19		1
8	TS50.300Z.01.111	Bevel gear shaft		1
9	TS50.300Z.01.101	Gearbox case		1
10	TS50.300Z.01.105	Washer (S) 1		2
11	GB/T276-94/6307	Bearing 6307		2
12	TS50.300Z.01.104	Washer (B) 0.7		2
13	GB893.1-86/80	Circlip 80		2
14	GB9877.1-88/35X80X10	Oil seal 35×80×10		1
15	ZBT.32001.3-87	Retainer ZG3/8"		1
16	TS50.300Z.01.106	Seal cover		2
17	TS50.300Z.01.108	Key		2
18	TS50.300Z.01.109	Spring		2
19	TS50.300Z.02.103	Pinion shaft		1
20	GB894.1-89/42	Circlips for shaft 42		1
21	TS50.300Z.01.107	Bevel gear		1
22	TS50.300Z.01.102	Gearbox cover		1
23	GB5783-86/M10X25	Bolt M10x25		8

## DPS\_2011\_2013



GEO Italy S.R.L.

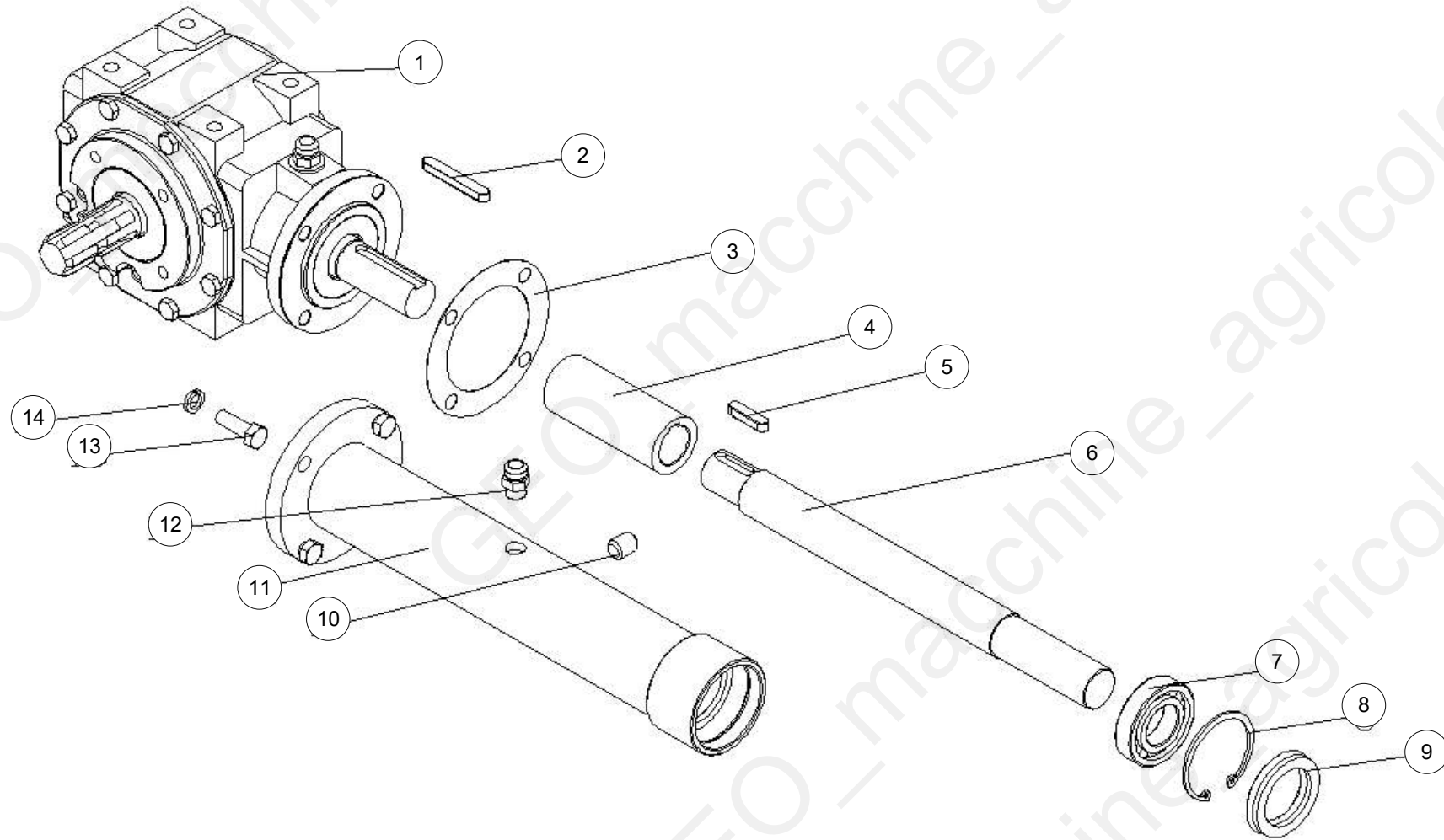


Pos	Code	Description	NOTE	Q.
1	DPS125.013	The cover weldment 125		1
1	DPS155.013	The cover weldment 155		1
1	DPS175.013	The cover weldment 175		1
1	DPS205.013	The cover weldment 205		1
1	DPS220.013	The cover weldment 220		1
2	GB1152-89/M8X1	Grease nipple M8		2
3	GB6184-86/M12	Locking nut M12		8
4	GB5783-86/M12X30	Bolt M12x30		16
5	DP175.015	Base plate (R)		1
7	GB6184-86/M10	Locking nut M10		2
8	GB5783-86/M10X30	Bolt M10X30		2
22	DP125.102	Mud shield 125		1
22	DP155.102	Mud shield 155		1
22	DP175.102	Mud shield 175		1
22	DP205.102	Mud shield 205		1
22	DP220.102	Mud shield 220		1
23	JB/T7940.2-95/M6	Oil cup M6		2
24	DP175.019	Supporting for roller (R)		1
25	GB70.3-2000/M12X25	Hex.head bolt M12X25		8
26	UC207	Bearing UC207		4
27	EFGC125.115	Flange Bearing UC 207		4
28	DP125.020	Roller weldment 125		1
28	DP155.020	Roller weldment 155		1
28	DP175.020	Roller weldment 175		1
28	DP205.020	Roller weldment 205		1

Pos	Code	Description	NOTE	Q.
28	DP220.020	Roller weldment 220		1
29	DP175.018.01	Supporting for roller (L)		1
30	GB93-87/12	Spring washer 12		12
31	EFGC125.018	Blade axle weldment 125		1
31	EFGC155.018	Blade axle weldment 155		1
31	EFGC175.018	Blade axle weldment 175		1
31	EFGC205.018	Blade axle weldment 205		1
31	EFGC220.018	Blade axle weldment 220		1
32	EFGC125.113	Fender		1
33	GB879-86/4X22	Elastic cylindrical pin 4x22		2
34	EFGC125.104	Shaft for fender 125		1
34	EFGC155.104	Shaft for fender 155		1
34	EFGC175.104	Shaft for fender 175		1
34	EFGC205.104	Shaft for fender 205		1
34	EFGC220.104	Shaft for fender 220		1
35	GB6184-86/M16X1.5	Locking nut M16X1.5		2
36	EFGC.100.00.102	Blade Ø16mm		1
36	EFGC.100.00.107	Hammer Ø16mm		2
37	GB5785-M16X1.5X90	Bolt M16X1.5X90		2
38	GB13871-94/55X80X8	Oil seal FB55X80X8		1
39	RK120.109.3	Spacer lower for Pulley 3 grooves		1
39	RK120.109.4	Spacer lower for Pulley 4 grooves		1
42	BM30.102	Pin for lifting		2
47	DPS175.011	Hanging weldment		1
48	EFGC125.123	HITCH PIN-TOP		1

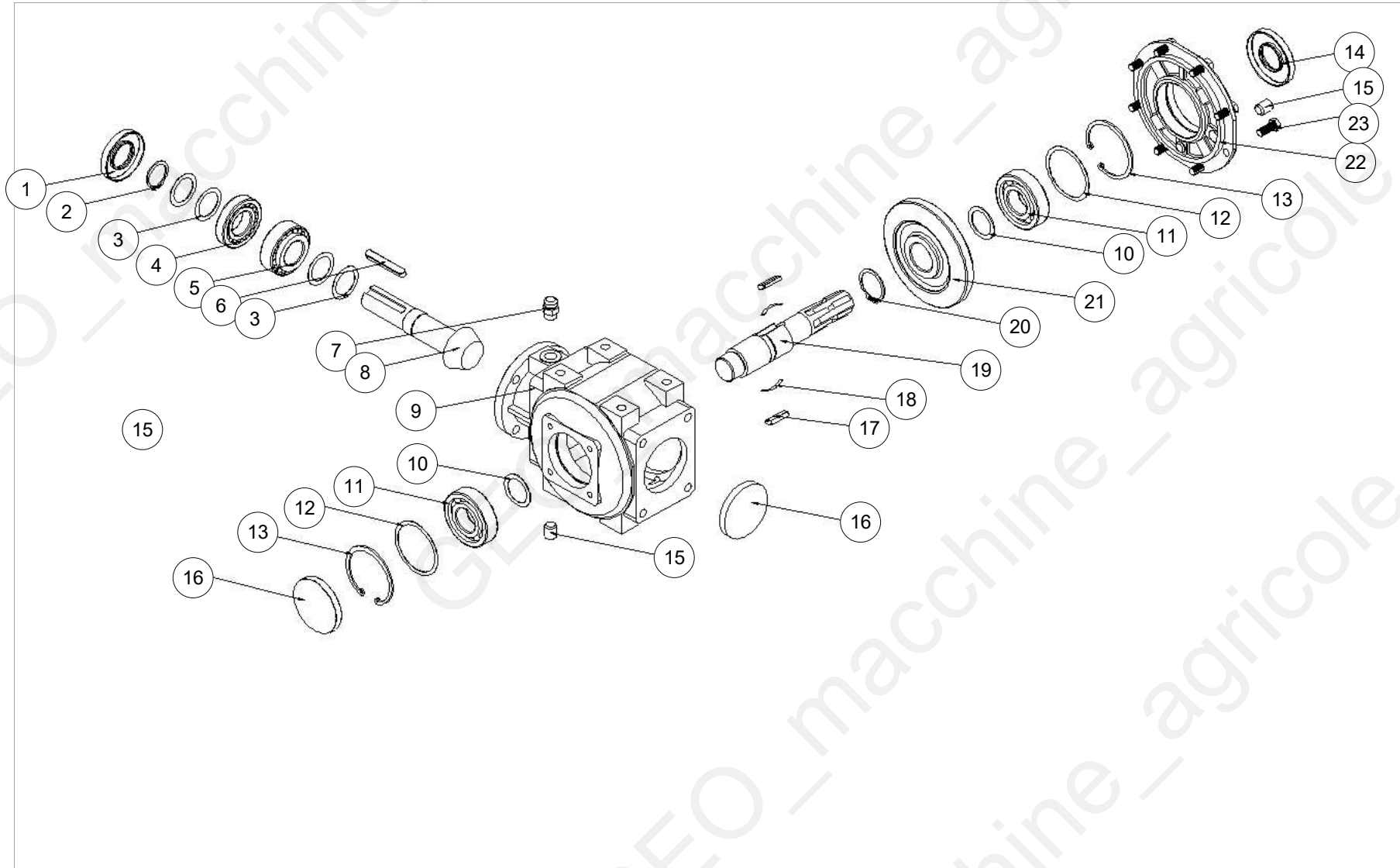
Pos	Code	Description	NOTE	Q.
50	DP175.014	Base plate (L)		1
51	DP175.107	Supporting frame		1
52	1G135.00.107	Plug Pin		1
53	EFGC125.110	R Pin 3.2		1
54	EFGC125.112	Cover		1
55	EFG120.105.3	small belt pulley 120mm 3 grooves		1
55	EFG120.105.4	small belt pulley 120mm 4 grooves		1
56	GB/1154-17.39-5	BELT B 39 1/2 (1000Li)		4
57	JB/T7934Z3/35X60	Swellable sleeve 35X60		2
58	GB96-85/12	Plain washer 12		5
59	GB5782-86/M12X120	Bolt M12x120		1
60	EFGC125.012.12	Belt cover OLD 120 mm		1
61	EFG120.106.3	Big belt pulley 170mm 3 grooves		1
61	EFG120.106.4	Big belt pulley 170mm 4 grooves		1
62	GB6173-86/M20x1.5	Nut M20x1.5		1
63	GB5786-86/M20X1.5X55	Bolt M20X1.5X55		1
64	EFGC125.120	Tension plate		1
65	GB97.1-85/14	Plain washer 14		2
66	GB6184-86/M14	Locking nut M14		2
68	GB5783-86/M12X35	Bolt M12x35		4
69	GB96-85/8	Plain washer 8		4
70	GB93-87/8	Spring washer 8		4
71	GB5783-86/M8X20	Bolt M8x20		4
72	DP175.104	Guard shade		1
73	DPS.175.026	Adjusting frame for the gear box		1

Pos	Code	Description	NOTE	Q.
74	DPS125.056	Plate DPS 125		1
74	DPS155.056	Plate DPS 155		1
74	DPS175.056	Plate DPS 175		1
74	DPS205.056	Plate DPS 205		1
74	DPS220.056	Plate DPS 220		1
75	DPS.125.017	Rubber DPS 125		1
75	DPS155.017	Rubber DPS 155		1
75	DPS175.017	Rubber DPS 175		1
75	DPS205.017	Rubber DPS 205		1
75	DPS220.017	Rubber DPS 220		1





Pos	Code	Description	NOTE	Q.
1	XH50.300Z.02W	Gearbox assembly		1
2	GB1096-79/A10X70	Key A10x70		1
3	EFGC125.166	Paper gasket		1
4	EFGC125.167	Connected sleeve		1
5	GB1096-79/A10X40	Key A10X40		1
6	DP155.155	Shaft (155)		1
6	DP175.155	Shaft (175)		1
6	DP205.155	Shaft (205)		1
7	GB/T276-94/6207	Bearing 6207		1
8	GB893.1-86/72	Circlip 72		1
9	GB13871-94/35X72X10	Oil seal 35×72×10		1
10	ZBT.32001.3-87	Retainer ZG3/8"		1
11	DP155.023	Shaft tube weldment (155)		1
11	DP175.023	Shaft tube weldment (175)		1
11	DP205.023	Shaft tube weldment (205)		1
12	EFGC125.169.1	Bolt of plug screw ZG3/8"-19		1
13	GB5783-86/M12x35	Bolt M12×35		4
14	GB93-87/12	Spring washer 12		12

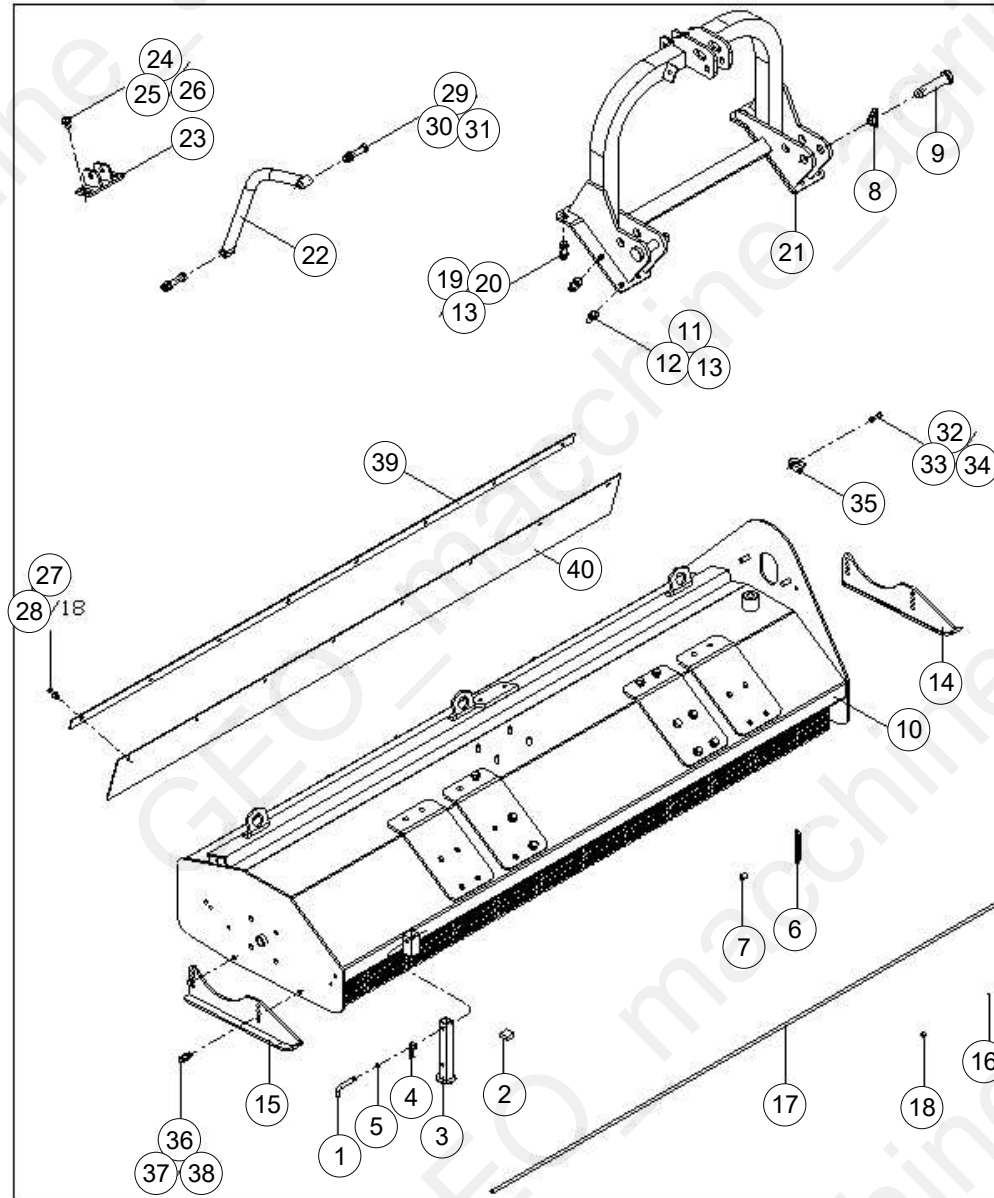


Pos	Code	Description	NOTE	Q.
1	GB9877.1-88/35X72X10	Oil seal 35×72×10		1
2	GB894.1-89/35	Circlips for shaft 35		1
3	TS50.300Z.01.110	Washer (S) 0.7		4
4	GB297-94/30207	Bearing 30207		1
5	GB297-94/32207	Bearing 32207		1
6	GB1096-79/10X65	Key 10X65		1
7	EFGC125.169.1	Bolt of plug screw ZG3/8"-19		1
8	TS50.300Z.01.111	Bevel gear shaft		1
9	TS50.300Z.01.101	Gearbox case		1
10	TS50.300Z.01.105	Washer (S) 1		2
11	GB/T276-94/6307	Bearing 6307		2
12	TS50.300Z.01.104	Washer (B) 0.7		2
13	GB893.1-86/80	Circlip 80		2
14	GB9877.1-88/35X80X10	Oil seal 35×80×10		1
15	ZBT.32001.3-87	Retainer ZG3/8"		1
16	TS50.300Z.01.106	Seal cover		2
17	TS50.300Z.01.108	Key		2
18	TS50.300Z.01.109	Spring		2
19	TS50.300Z.02.103	Pinion shaft		1
20	GB894.1-89/42	Circlips for shaft 42		1
21	TS50.300Z.01.107	Bevel gear		1
22	TS50.300Z.01.102	Gearbox cover		1
23	GB5783-86/M10X25	Bolt M10x25		8

## DPS 220



GEO Italy S.R.L.



Pos	Code	Description	NOTE	Q.
1	1G135.00.107	Plug Pin		1
2	AGF140.108	Plastic cover		1
3	DP175.107	Supporting frame		1
4	FEL300.114	R pin 3.2		1
5	GB/T97.1-2002-12	Plain washer 12		1
6	AGF140.030	Chain units		96
7	AGF140.111	Sleeve of chain		97
8	FEL300.111	Lock pin 12		2
9	1GN230.01.107	Suspension pin		2
10	DPS220.01.011	Cover weldment		1
11	GB/T5783-2000-M14x45	Bolt M14x45		4
12	GB/T93-2002-14	Spring washer 14		4
13	GB/T97.1-2002-14	Plain washer 14		20
14	DP220.01.013	Base plate (L)		1
15	DP220.01.014	Base plate (R)		1
16	GB/T91-2000/3.2x25	Cotter pin 3.2x25		2
17	DPS220.01.101	Rod of chain		1
18	GB/T6179-00-M8	Nut M8		1
18	GB/T97.1-2002-10	Plain washer 10		10
19	GB/T5782-2000-M14x50	Bolt M14x50		8
20	GB/T889.1-2000-14	Locking nut M14		8
21	DPS220.01.012	Hanging weldment		1
22	DPS220.01.015	Pull rod weldment		1
23	DPS220.01.016	Rod base weldment		1
24	GB/T5782-2000-M14x25	Bolt M14x25		2

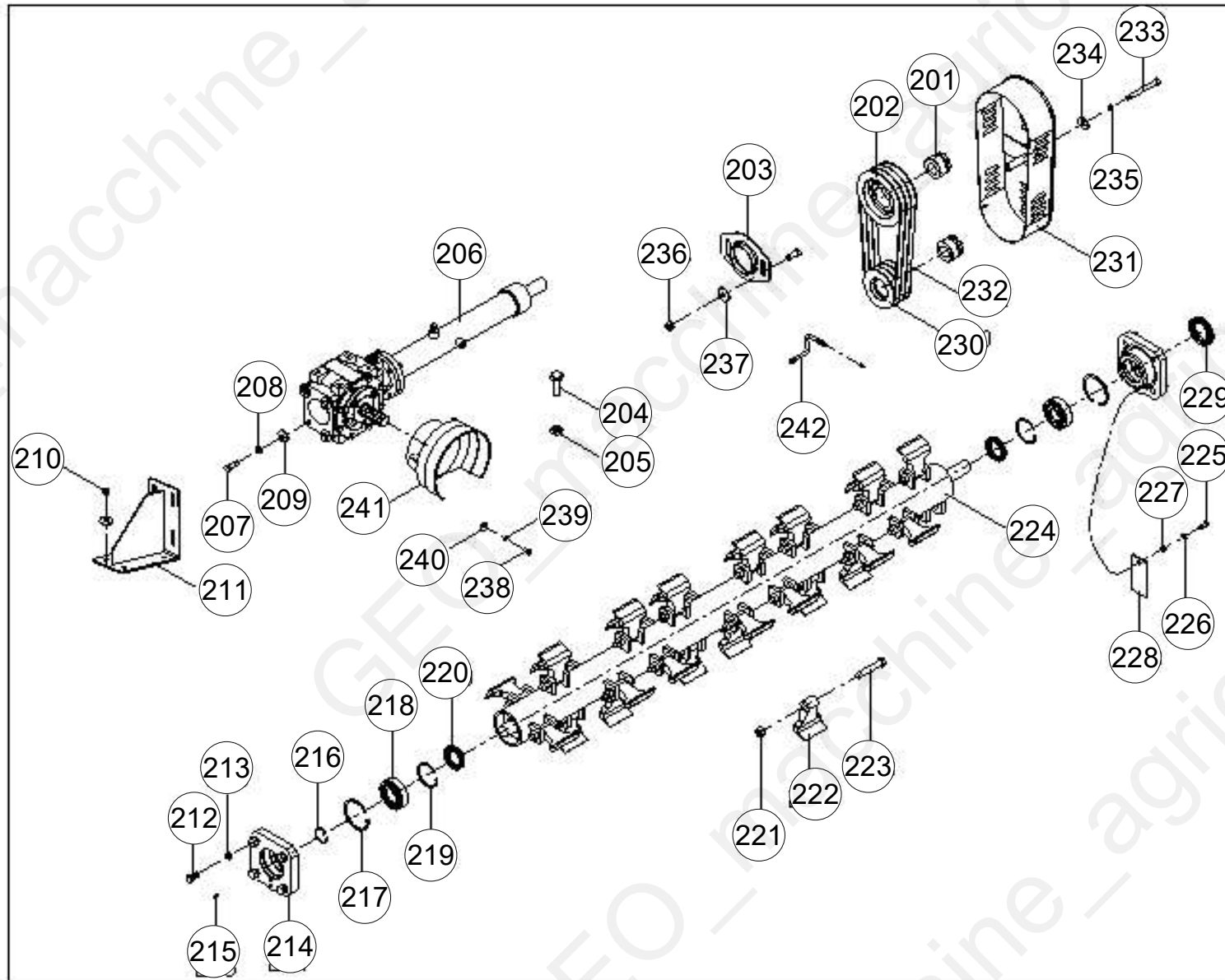
Machine: DPS 220

Assembly: DPS220\_parte 1



Pos	Code	Description	NOTE	Q.
25	GB/T97.1-2002-14	Plain washer 14		2
26	GB/T93-2002-14	Spring washer 14		2
27	GB/T5782-2000-M10x35	Bolt M10x35		8
28	GB/T889.1-2000-M10	Locking nut M10		8
29	GB/T5782-2000-M16x80	Bolt M16x80		2
30	GB/T97.1-2002-16	Plain washer 16		2
31	GB/T889.1-2000-16	Locking Nut M16		2
32	GB/T5782-2000-M8x25	Bolt M8x25		2
33	GB/T97.1-2002-8	Plain washer 8		2
34	GB/T889.1-2000-8	Locking nut M8		2
35	1JH200.01.105	Bracket		1
36	GB/T5782-2000-M12x35	Bolt M12x35		4
37	GB/T97.1-2002-12	Plain washer 12		4
38	GB/T889.1-2000-M12	Locknut M12		4
39	DPS220.01.103	Press plate		1
40	DPS220.01.102	Rubber plate		1

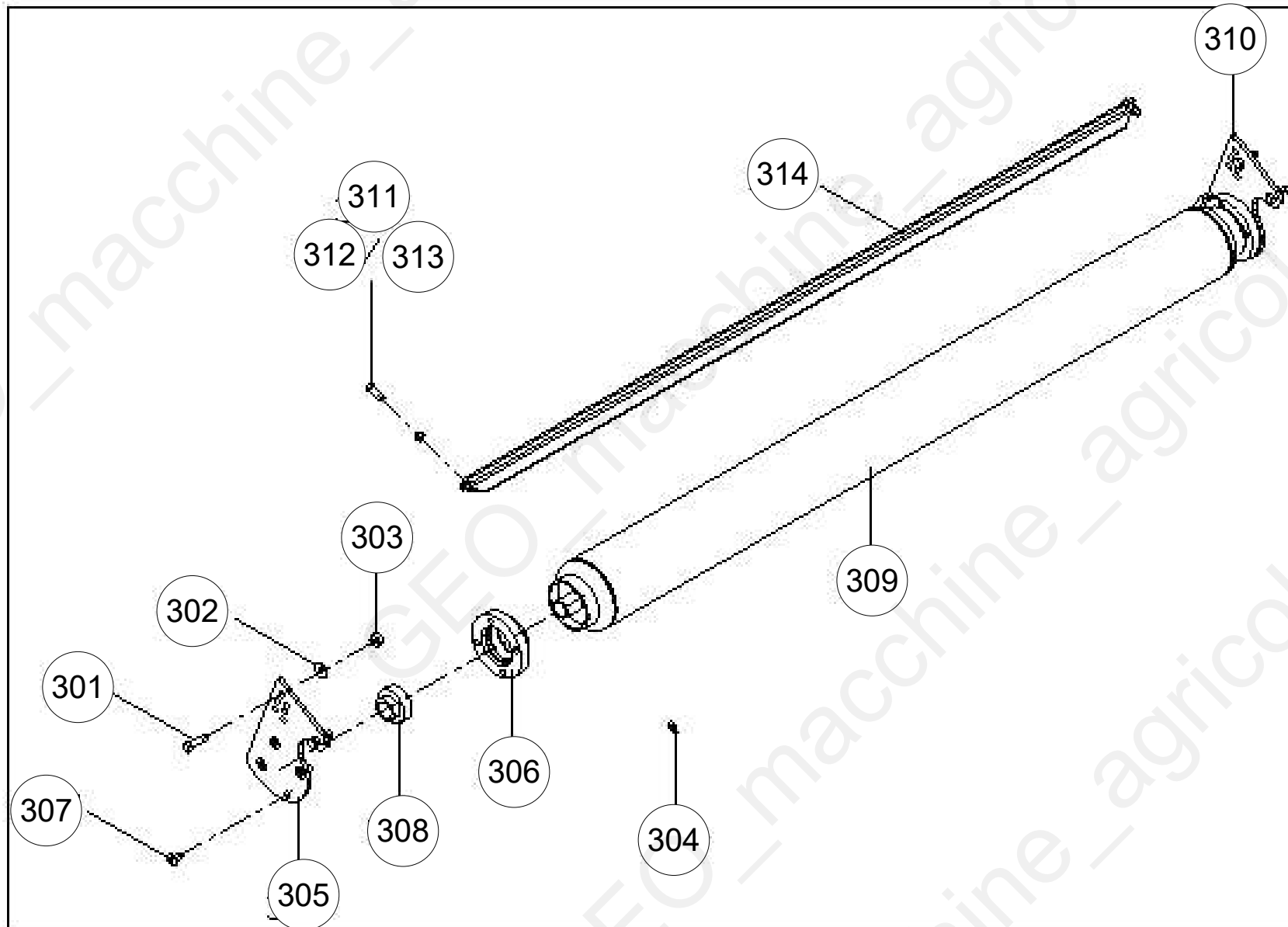






Pos	Code	Description	NOTE	Q.
201	JB/T7934Z3/40X80	Swellable sleeve 40X80		2
202	AGF220.203.4	Big belt pulley 220 mm 4 grooves		1
203	AG220.101	Tension plate		1
204	GB/T5786-2000-M20X55	Bolt M20X1.5X55		1
205	GB/T6173-2000-M20x1.5	Nut M20x1.5		1
207	GB/T5783-2000-M12x35	Bolt M12x35		4
208	GB/T93-2002-12	Spring washer 12		4
209	GB/T96.1-2002-12	Plain washer 12		8
210	GB/T889.1-2000-M12	Locknut M12		4
211	EFGC125.024	Gearbox support		1
212	GB/T5783-2000-M16x35	Bolt M16x35		8
213	GB/T93-2002-16	Spring washer 16		8
214	AGF140.104	Bearing seat		2
215	JB/T7940.1-2000-M10	Oil cup M10X1		2
216	GB/T894.1-2000-40	Shaft circlip 40		1
217	GB/T893.1-2000-40	Hole circlip 40		2
218	GB/T281-2000	Bearing 1308		2
219	GB/T893.1-2000-80	Hole circlip 80		2
220	GB/T13871-00-45X80X10	Oil seal FB45X80X10		2
221	GB/T889.1-2000-16x1.5	Nut M16x1.5		32
222	EFGC.100.00.102	Blade Ø16mm		32
222	EFGC.100.00.107	Hammer Ø16mm		1
223	GB/T5786-2000-M16X50	Bolt M16X1.5x50		32
224	DPS220.02.012	Blade axle weldment		1
225	GB/T5782-2000-M10x25	Bolt M10x25		1

Pos	Code	Description	NOTE	Q.
226	GB/T93-2002-10	Spring washer 10		1
227	GB/T97.1-2002-10	Plain washer 10		1
228	AGF140.209	Fender		1
229	GB/T13871-00-40X90X10	Oil seal FB40X90X10		1
230	AGF220.202.4	Small belt pulley 165 mm 4 grooves		1
231	DPS220.02.011	Belt cover		1
232	GB/1154-17.46.75	BELT SP B 46 3/4 (1194Li)		4
233	GB/T5782-2000-M14x140	Bolt M14X140		1
234	GB/T93-2002-14	Spring washer 14		1
235	GB/T97.1-2002-14	Plain washer 14		1
236	GB/T889.1-2000-14	Locking nut M14		2
237	GB/T96.1-2002-14	Plain washer 14		2
238	GB/T5782-2000-M8x20	Bolt M8X20		4
239	GB/T93-2002-8	Spring washer 8		4
240	GB/T96.1-2002-8	Plain washer 8		4
241	FM150.120	Guard shade		1
242	AGF140.034	Little Grease pipe		1

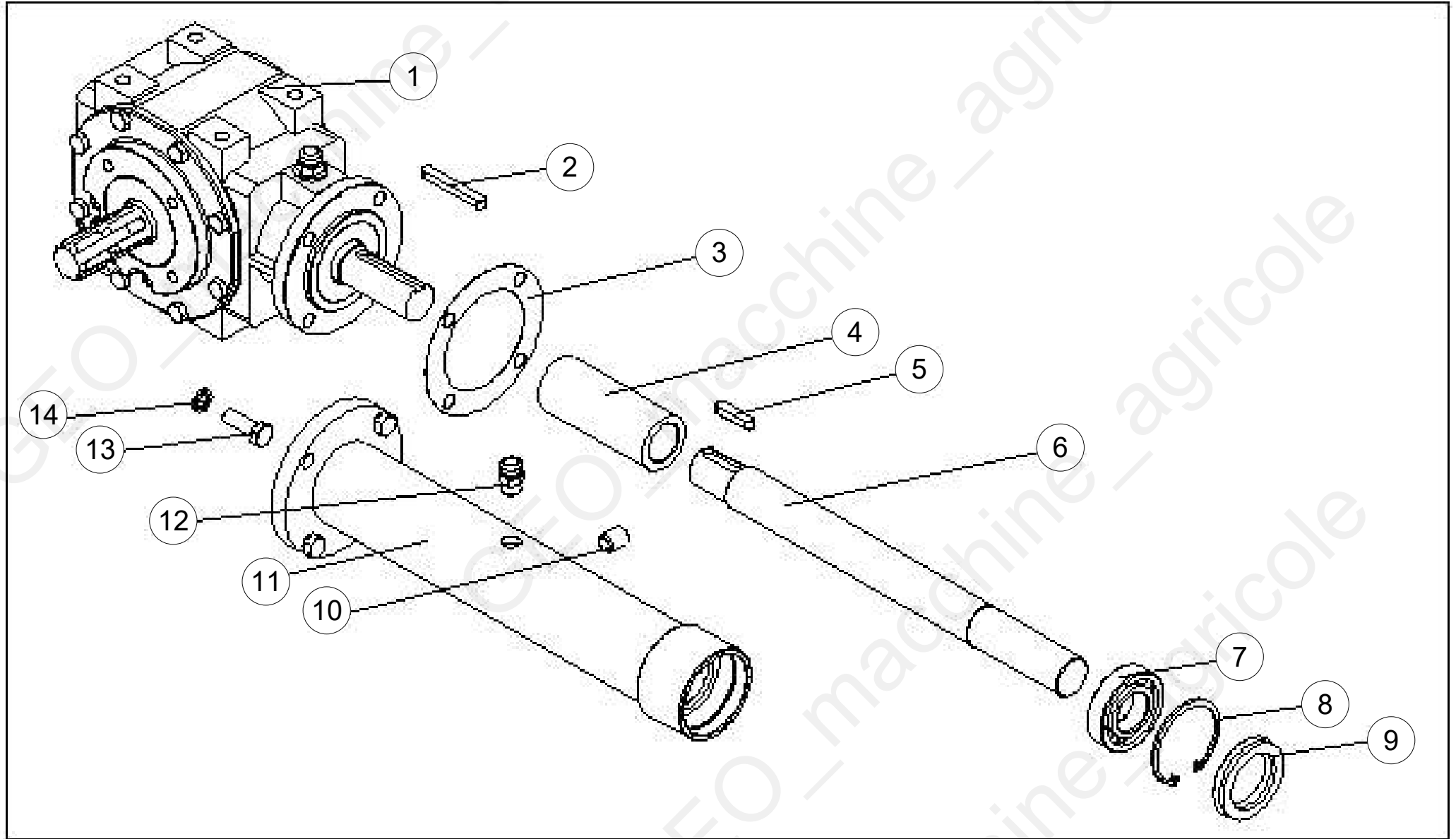


Machine: DPS 220

Assembly: DPS220\_parte 3



Pos	Code	Description	NOTE	Q.
301	GB/T5782-2000-M12x35	Bolt M12x35		4
302	GB/T97.1-2002-12	Plain washer 12		4
303	GB/T889.1-2000-M12	Locknut M12		4
304	JB/T7940.1-2000-M6	Oil cup M6		2
305	DP175.019	Supporting for roller (R)		1
306	EFGC125.115	Flange Bearing UC 207		2
307	GB/T70.3-2000-M12x25	Bolt M12x25		8
308	GEO_UCF207	Bearing with flange UC207-Z		2
309	DPS220.03.011	Roller weldment		1
310	DP175.018.01	Supporting for roller (L)		1
311	GB/T5782-2000-M10x30	Bolt M10x30		2
312	GB/T97.1-2002-10	Plain washer 10		2
313	GB/T889.1-2000-M10	Locking nut M10		2
314	DPS220.03.101	Clean shoe board		1



Machine: DPS 220

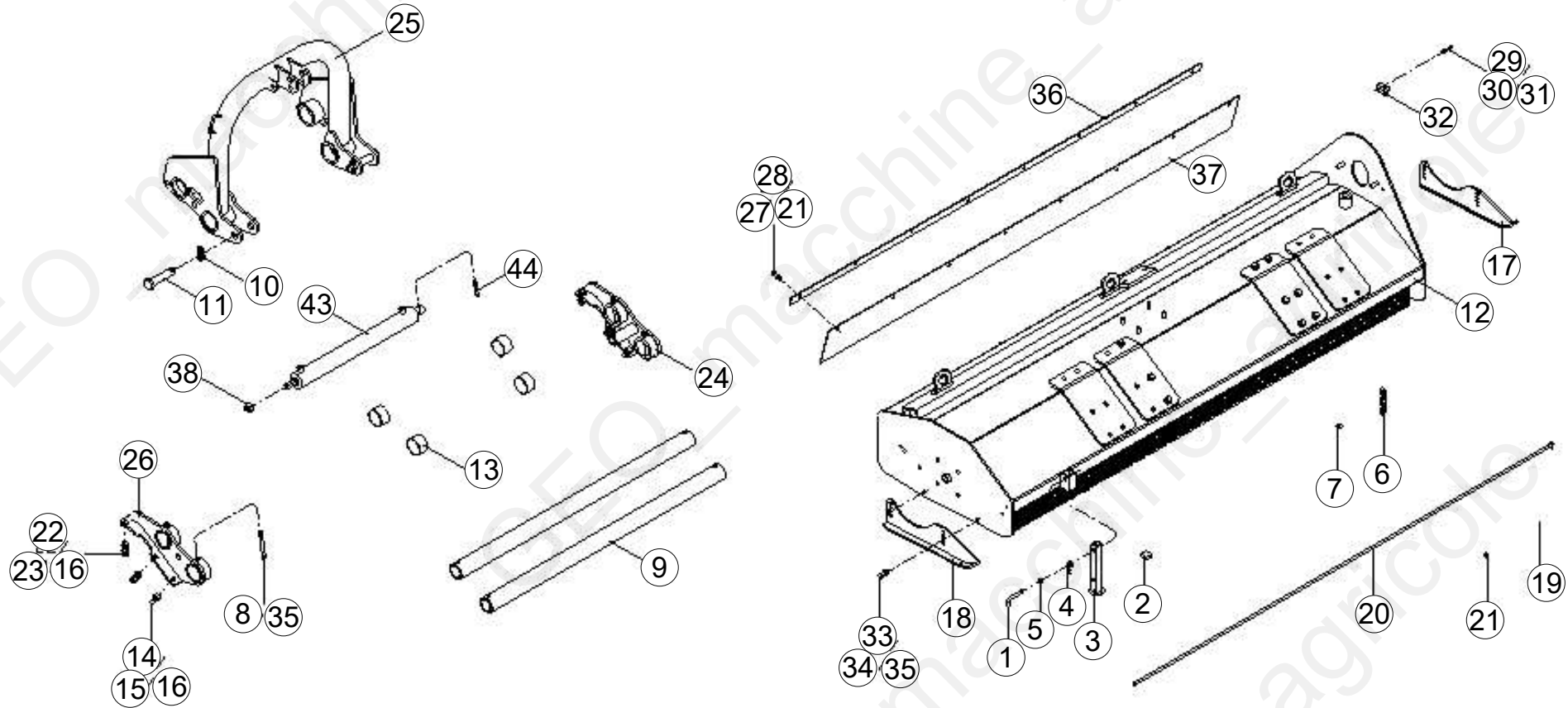
Assembly: DPS220\_parte 4



Pos	Code	Description	NOTE	Q.
1	XH50.300Z.02W	Gearbox assembly		1
2	GB/T1096-79-10X70	Key A10X70		1
3	EFGC125.166	Paper gasket		1
4	EFGC125.167	Connected sleeve		1
5	GB/T1096-79-10X40	Key A10X40		1
6	AG220.102	Shaft AG180-240		1
7	GB/T276-94-6208	Bearing 6208		1
8	GB/T893.1-86-80	Circlip 80		1
9	GB/T13871-94-40x80x10	Oil seal 40x80x10		1
10	JB/T32001.3-87	Retainer		1
11	AG220.014	Shaft tube weldment AG180-240 800mm		1
12	EFGC125.169	Bolt of plug screw 1/2"		1
13	GB5783-86/M12x35	Bolt M12x35		4
14	GB/T93-2002-12	Spring washer 12		12

## DP 220

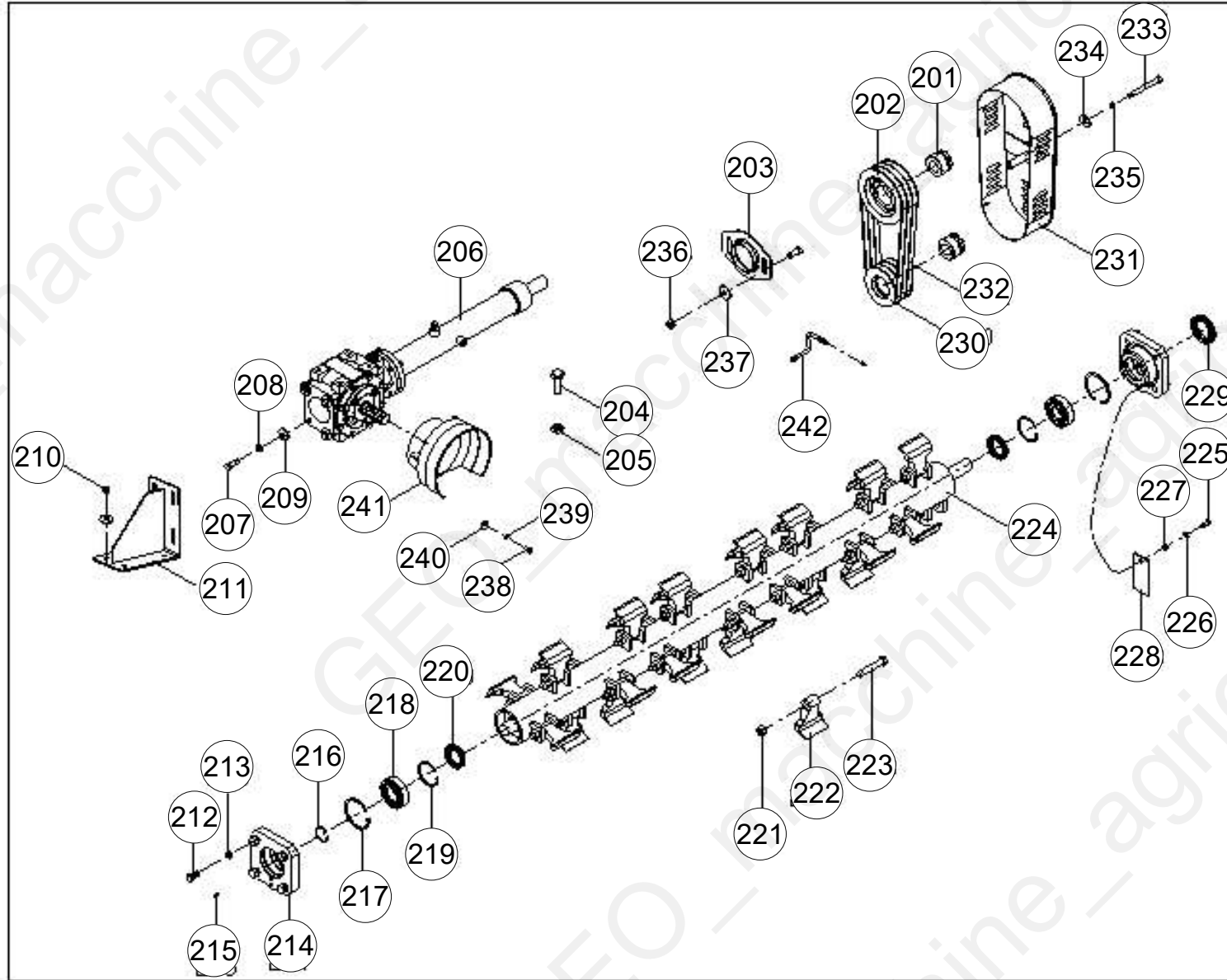






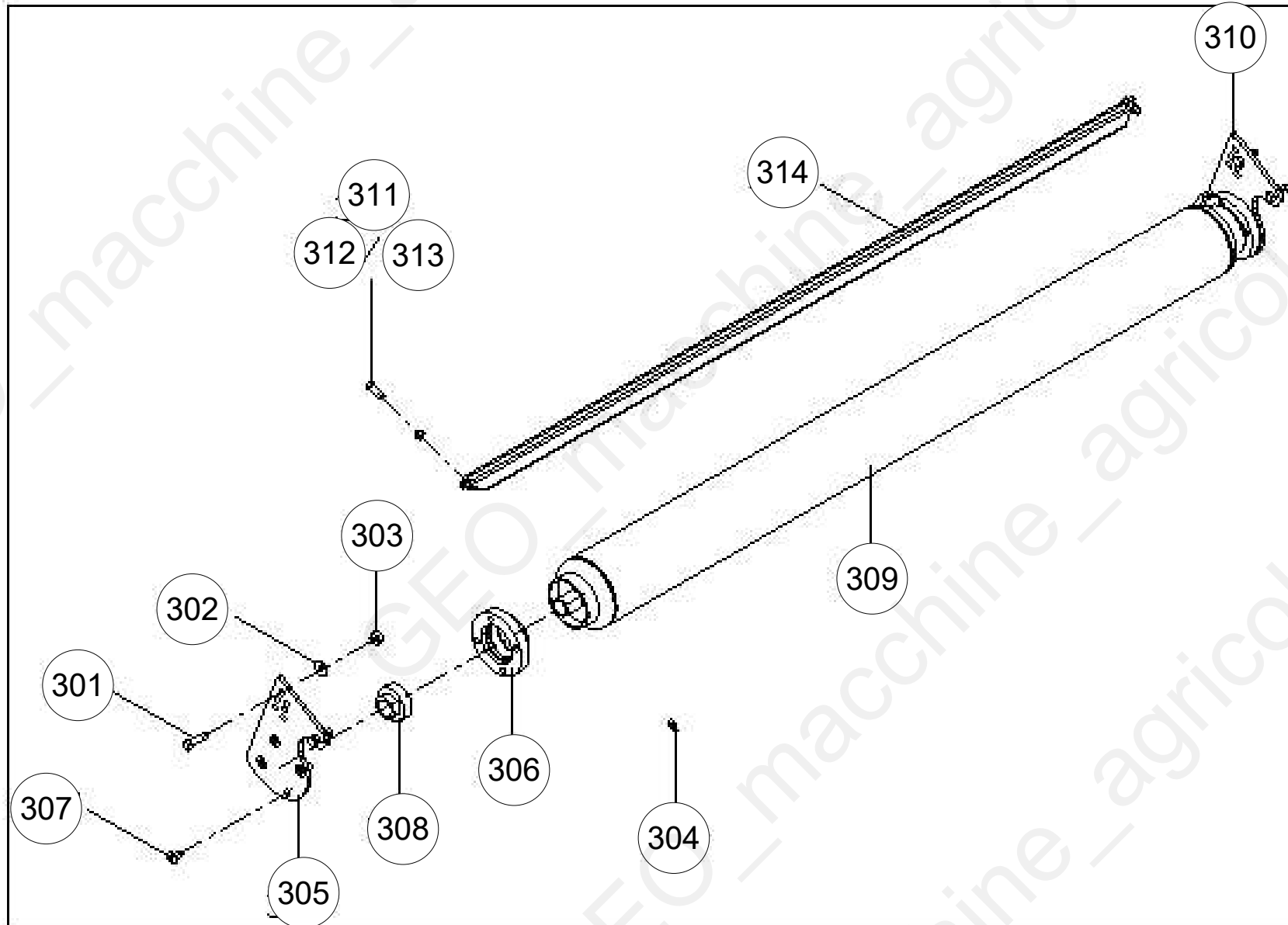
Pos	Code	Description	NOTE	Q.
1	1G135.00.107	Plug Pin		1
2	AGF140.108	Plastic cover		1
3	DP175.107	Supporting frame		1
4	FEL300.114	R pin 3.2		1
5	GB/T97.1-2002-12	Plain washer 12		1
6	AGF140.030	Chain units		96
7	AGF140.111	Sleeve of chain		97
8	GB/T5782-2000-M12x100	Bolt M12x100		4
9	DP220.01.101	Guide shaft		2
10	FEL300.111	Lock pin 12		2
11	1GN230.01.107	Suspension pin		2
12	DPS220.01.011	Cover weldment		1
13	SF-2/70x65x40	Bushing 70x65x40		4
14	GB/T5783-2000-M14x45	Bolt M14x45		4
15	GB/T93-2002-14	Spring washer 14		4
16	GB/T97.1-2002-14	Plain washer 14		20
17	DP220.01.013	Base plate (L)		1
18	DP220.01.014	Base plate (R)		1
19	GB/T91-2000/3.2x25	Cotter pin 3.2x25		2
20	DPS220.01.101	Rod of chain		1
21	GB/T6179-00-M8	Nut M8		1
22	GB/T5782-2000-M14x50	Bolt M14x50		8
23	GB/T889.1-2000-14	Locking nut M14		8
24	DP220.01.012	Connect seat-L		1
25	DPS220.01.012	Hanging weldment		1

Pos	Code	Description	NOTE	Q.
26	DP220.01.1013	Connect seat-R		1
27	GB/T5782-2000-M10x35	Bolt M10x35		8
28	GB/T889.1-2000-M10	Locking nut M10		9
29	GB/T5782-2000-M8x25	Bolt M8x25		2
30	GB/T97.1-2002-8	Plain washer 8		2
31	GB/T889.1-2000-8	Locking nut M8		2
32	1JH200.01.105	Bracket		1
33	GB/T5782-2000-M12x35	Bolt M12x35		4
34	GB/T97.1-2002-12	Plain washer 12		4
35	GB/T889.1-2000-M12	Locknut M12		4
36	DPS220.01.103	Press plate		1
37	DPS220.01.102	Rubber plate		1
38	GB/T889.1-2000-M20	Lock Nut M20		1
43	DP175.016	Slippage cylinder		1
44	GB/T5782-2000-M10x60	Bolt M10x60		1

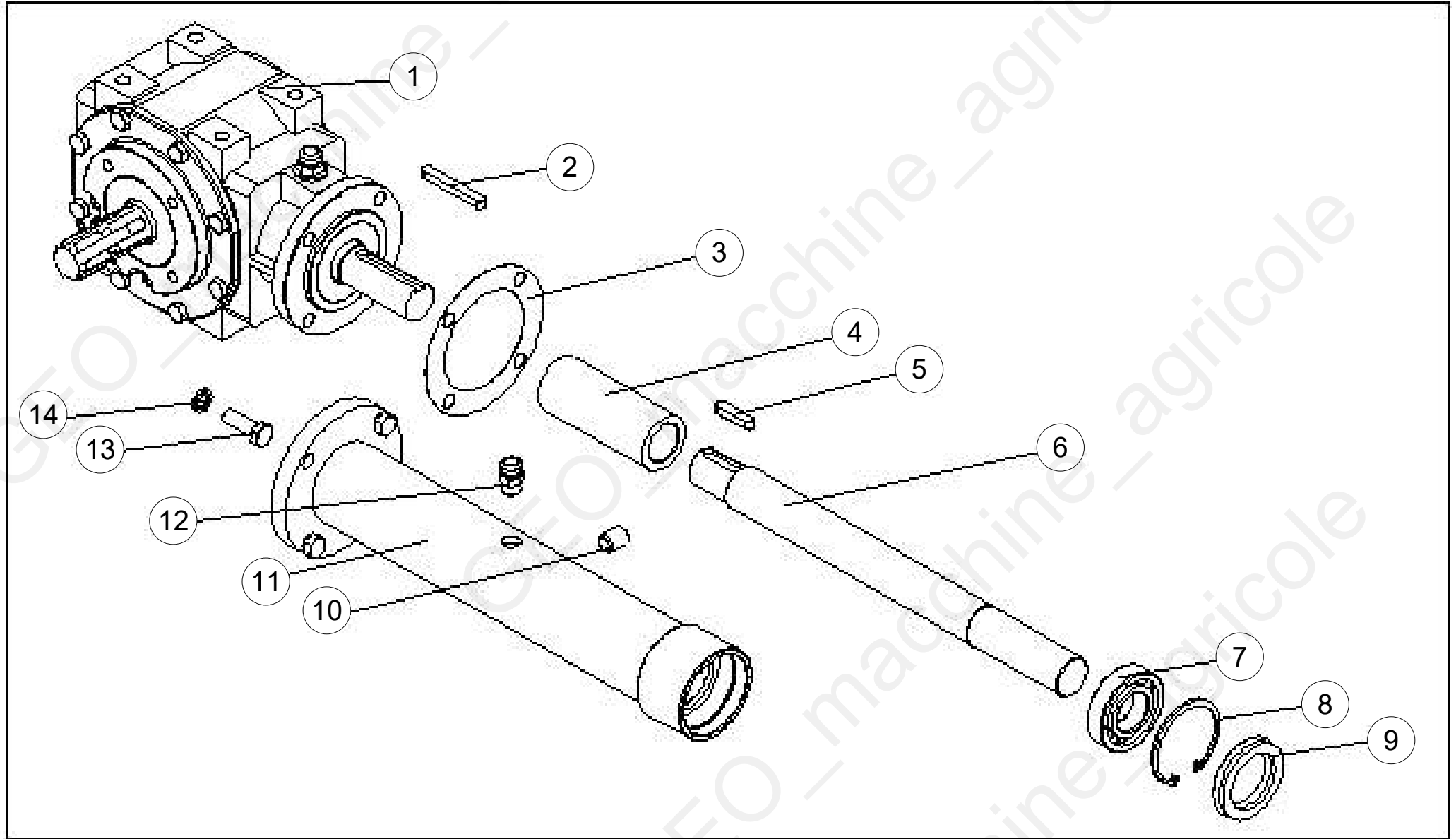


Pos	Code	Description	NOTE	Q.
201	JB/T7934Z3/40X80	Swellable sleeve 40X80		2
202	AGF220.203.4	Big belt pulley 220 mm 4 grooves		1
203	AG220.101	Tension plate		1
204	GB/T5786-2000-M20X55	Bolt M20X1.5X55		1
205	GB/T6173-2000-M20x1.5	Nut M20x1.5		1
207	GB/T5783-2000-M12x35	Bolt M12x35		4
208	GB/T93-2002-12	Spring washer 12		4
209	GB/T96.1-2002-12	Plain washer 12		8
210	GB/T889.1-2000-M12	Locknut M12		4
211	EFGC125.024	Gearbox support		1
212	GB/T5783-2000-M16x35	Bolt M16x35		8
213	GB/T93-2002-16	Spring washer 16		8
214	AGF140.104	Bearing seat		2
215	JB/T7940.1-2000-M10	Oil cup M10X1		2
216	GB/T894.1-2000-40	Shaft circlip 40		1
217	GB/T893.1-2000-40	Hole circlip 40		2
218	GB/T281-2000	Bearing 1308		2
219	GB/T893.1-2000-80	Hole circlip 80		2
220	GB/T13871-00-45X80X10	Oil seal FB45X80X10		2
221	GB/T889.1-2000-16x1.5	Nut M16x1.5		32
222	EFGC.100.00.102	Blade Ø16mm		32
222	EFGC.100.00.107	Hammer Ø16mm		1
223	GB/T5786-2000-M16X50	Bolt M16X1.5x50		32
224	DPS220.02.012	Blade axle weldment		1
225	GB/T5782-2000-M10x25	Bolt M10x25		1

Pos	Code	Description	NOTE	Q.
226	GB/T93-2002-10	Spring washer 10		1
227	GB/T97.1-2002-10	Plain washer 10		1
228	AGF140.209	Fender		1
229	GB/T13871-00-40X90X10	Oil seal FB40X90X10		1
230	AGF220.202.4	Small belt pulley 165 mm 4 grooves		1
231	DPS220.02.011	Belt cover		1
232	GB/1154-17.46.75	BELT SP B 46 3/4 (1194Li)		4
233	GB/T5782-2000-M14x140	Bolt M14X140		1
234	GB/T93-2002-14	Spring washer 14		1
235	GB/T97.1-2002-14	Plain washer 14		1
236	GB/T889.1-2000-14	Locking nut M14		2
237	GB/T96.1-2002-14	Plain washer 14		2
238	GB/T5782-2000-M8x20	Bolt M8X20		4
239	GB/T93-2002-8	Spring washer 8		4
240	GB/T96.1-2002-8	Plain washer 8		4
241	FM150.120	Guard shade		1
242	AGF140.034	Little Grease pipe		1



Pos	Code	Description	NOTE	Q.
301	GB/T5782-2000-M12x35	Bolt M12x35		4
302	GB/T97.1-2002-12	Plain washer 12		4
303	GB/T889.1-2000-M12	Locknut M12		4
304	JB/T7940.1-2000-M6	Oil cup M6		2
305	DP175.019	Supporting for roller (R)		1
306	EFGC125.115	Flange Bearing UC 207		2
307	GB/T70.3-2000-M12x25	Bolt M12x25		8
308	GEO_UCF207	Bearing with flange UC207-Z		2
309	DPS220.03.011	Roller weldment		1
310	DP175.018.01	Supporting for roller (L)		1
311	GB/T5782-2000-M10x30	Bolt M10x30		2
312	GB/T97.1-2002-10	Plain washer 10		2
313	GB/T889.1-2000-M10	Locking nut M10		2
314	DPS220.03.101	Clean shoe board		1





Pos	Code	Description	NOTE	Q.
1	XH50.300Z.02W	Gearbox assembly		1
2	GB/T1096-79-10X70	Key A10X70		1
3	EFGC125.166	Paper gasket		1
4	EFGC125.167	Connected sleeve		1
5	GB/T1096-79-10X40	Key A10X40		1
6	AG220.102	Shaft AG180-240		1
7	GB/T276-94-6208	Bearing 6208		1
8	GB/T893.1-86-80	Circlip 80		1
9	GB/T13871-94-40x80x10	Oil seal 40x80x10		1
10	JB/T32001.3-87	Retainer		1
11	AG220.014	Shaft tube weldment AG180-240 800mm		1
12	EFGC125.169	Bolt of plug screw 1/2"		1
13	GB5783-86/M12x35	Bolt M12x35		4
14	GB/T93-2002-12	Spring washer 12		12