

Spare Part Book



TL



GEO Italy S.R.L.

Latest release: 16/03/2021

Via G. Abbate, 215, 14054 Castagnole delle Lanze AT

Page 1

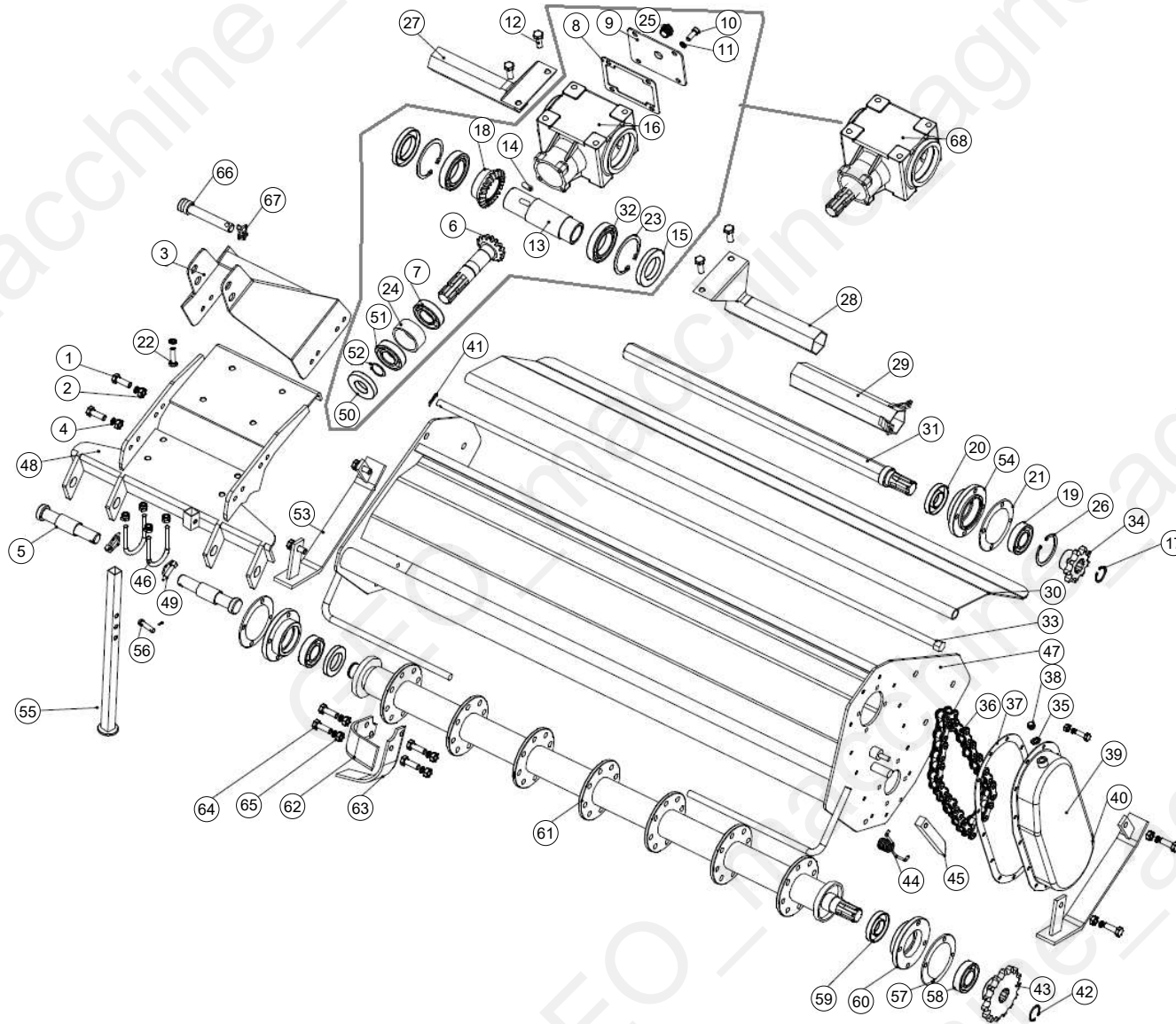
Table of Contents

Tavola	Page
TL	3
TL 2010_2014	11
TL 2009 2010	17

TL



GEO Italy S.R.L.



Pos	Code	Description	NOTE	Q.
1	TL.001	Bolts		8
2	TL.002	Nuts		8
3	TL.003	Shield protective cover		1
4	TL.004	Washer		8
5	TL.005	Lower suspension pin		2
6	TL.006	Small bevel gear		0
7	TL.007	Bearing 30207		0
8	TL.008	Oil seal ring		0
9	TL.009	Cap		0
10	TL.010	Bolts		0
11	TL.011	Washer		0
12	TL.012	Bolts		0
13	TL.013	Splite sleeve		0
14	TL.014	Flat key		0
15	GB13871-94-55X90X12	Oil seal of bearing seat 55*90*12		2
16	TL.016	Intermediate gearbox		0
17	TL.017	Circlip diam 32		0
18	TL.018	Big bevel gear		0
19	TL.019	Bearing 6207		0
20	GB13871-94-45X65X12	Oil seal 45X65X12		0
21	TL.021	Oil seal ring		1
22	TL.022	Bolts		0
23	TL.023	Eyelet washer diam 90		2
24	TL.024	bushing		0
25	TL.025	Oil check plug		0

Pos	Code	Description	NOTE	Q.
26	TL.026	Eyelet washer diam 72		8
27	TL.027	Small sleeve tabe		8
28	TL.028	Small sleeve tabe		1
29	TL.029	Big sleeve tabe		1
30	TL.030.01	Tail plate TL95		1
30	TL.030.02	Tail plate TL105		1
30	TL.030.03	Tail plate TL115		1
30	TL.030.04	Tail plate TL125		1
30	TL.030.05	Tail plate TL135		1
31	TL105.66.36	2nd EXAGONAL shaftTL105		1
31	TL115.71.36	2nd EXAGONAL shaftTL115		1
31	TL125.75.36	2nd EXAGONAL shaft TL125		1
31	TL135.81.36	2nd EXAGONAL shaftTL135		1
31	TL95.61.36	2nd EXAGONAL shaft TL95		1
32	TL.032	Bearing 6011		2
33	TL.033.01	Rod TL95		1
33	TL.033.02	Rod TL105		1
33	TL.033.03	Rod TL115		1
33	TL.033.04	Rod TL125		1
33	TL.033.05	Rod TL135		1
34	TL.034	Small sprocket wheel TL		1
35	TL.035	Washer		1
36	TL.036.01	Chain TL95-105(12A-60H)		1
36	TL.036.02	Chain TL115-125-135 (16A-80H)		1
37	TL.037	Oil seal ring		1

Pos	Code	Description	NOTE	Q.
38	TL.038	Oil filler plug		1
39	TL.039	Side chain gear box		1
40	TL.040	Oil drain plug		1
41	TL.01.041	B type pin		1
42	TL.042	Circlip diam 32		1
43	TL.043	Big sprocket wheel TL		1
44	TL.044	Spring		1
45	TL.045	Tension plate		1
46	TL.046	U-bolts		2
47	TL.047.01	Main Frame TL95		1
47	TL.047.02	Main Frame TL105		1
47	TL.047.03	Main Frame TL115		1
47	TL.047.04	Main Frame TL125		1
47	TL.047.05	Main Frame TL135		1
48	TL.048	Foot pedal		1
49	TL.049	Spring lock pin		0
50	GB13871-94-35x72x12	Oil Seal 35x72x12		0
51	TL.051	bearing 6207		0
52	TL.052	Shaft washer diam 32		1
53	TL.053	Anti-friction plate L		2
54	TL.054	Bearing seat		1
55	TL.055	Stay bar		1
56	TL.056	Pin		1
57	TL.057	Oil seal ring		2
58	TL.058	Bearing 6207		2

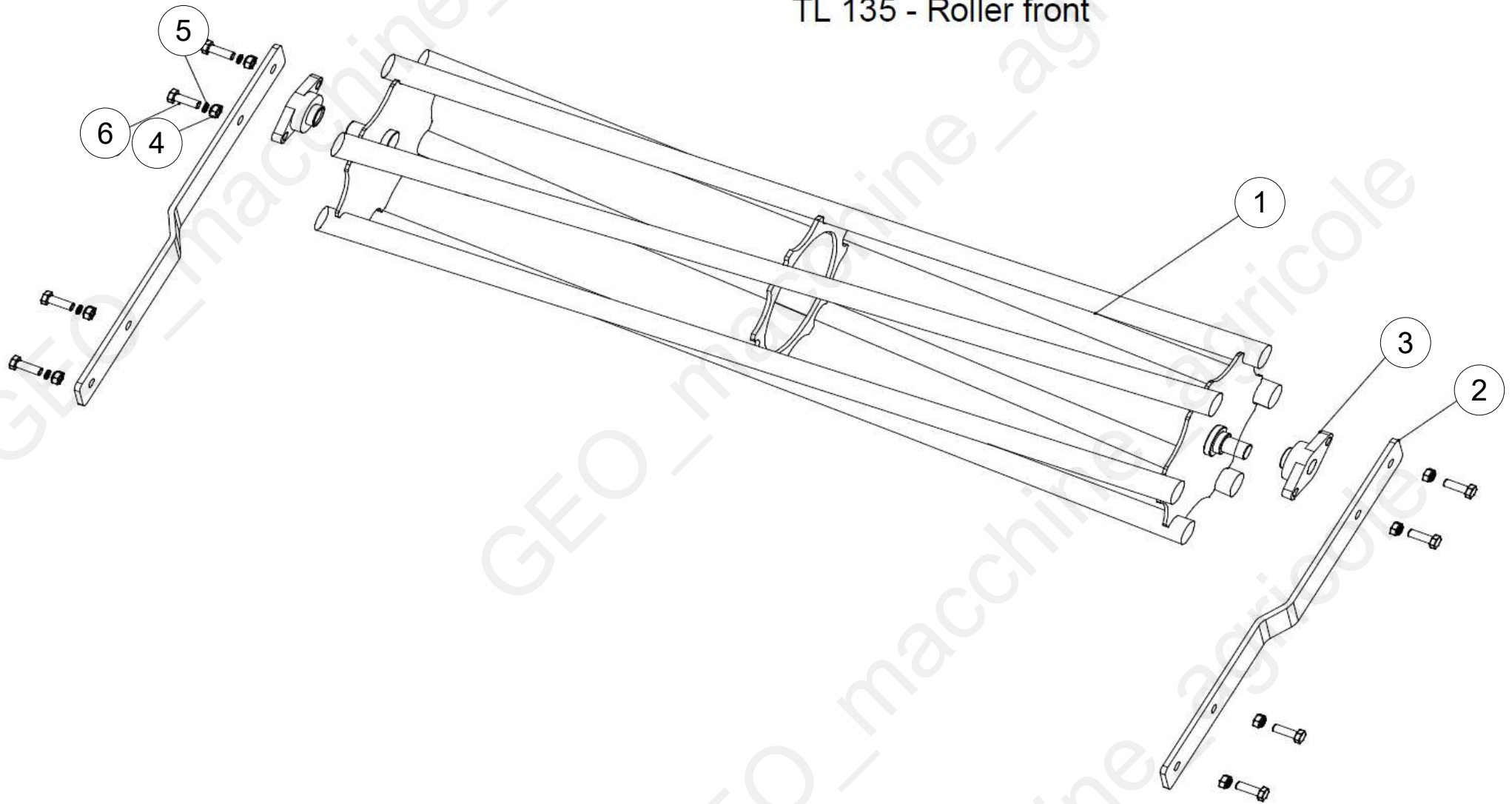
Machine: TL

Assembly: TL_parte 1



Pos	Code	Description	NOTE	Q.
59	GB13871-94-40x65x12	Oil seal 40*65*12		2
60	TL.060	Bearing seat		2
61	TL.061.01	Blades shaftTL95		1
61	TL.061.02	Blades shaftTL105		1
61	TL.061.03	Blades shaftTL115		1
61	TL.061.04	Blades shaft TL125		1
61	TL.061.05	Blades shaftTL135		1
62	1GQ.11.128	Blade (L)		1
63	1GQ.11.127	Blade (R)		1
64	TL.064	Blades bolt		1
65	TL.065	Blades nut		1
66	TL.066	Upper suspension pin		1
67	TL.067	Spring lock pin		1
68	TL.068	Complete gearbox		1

TL 135 - Roller front



Machine: TL

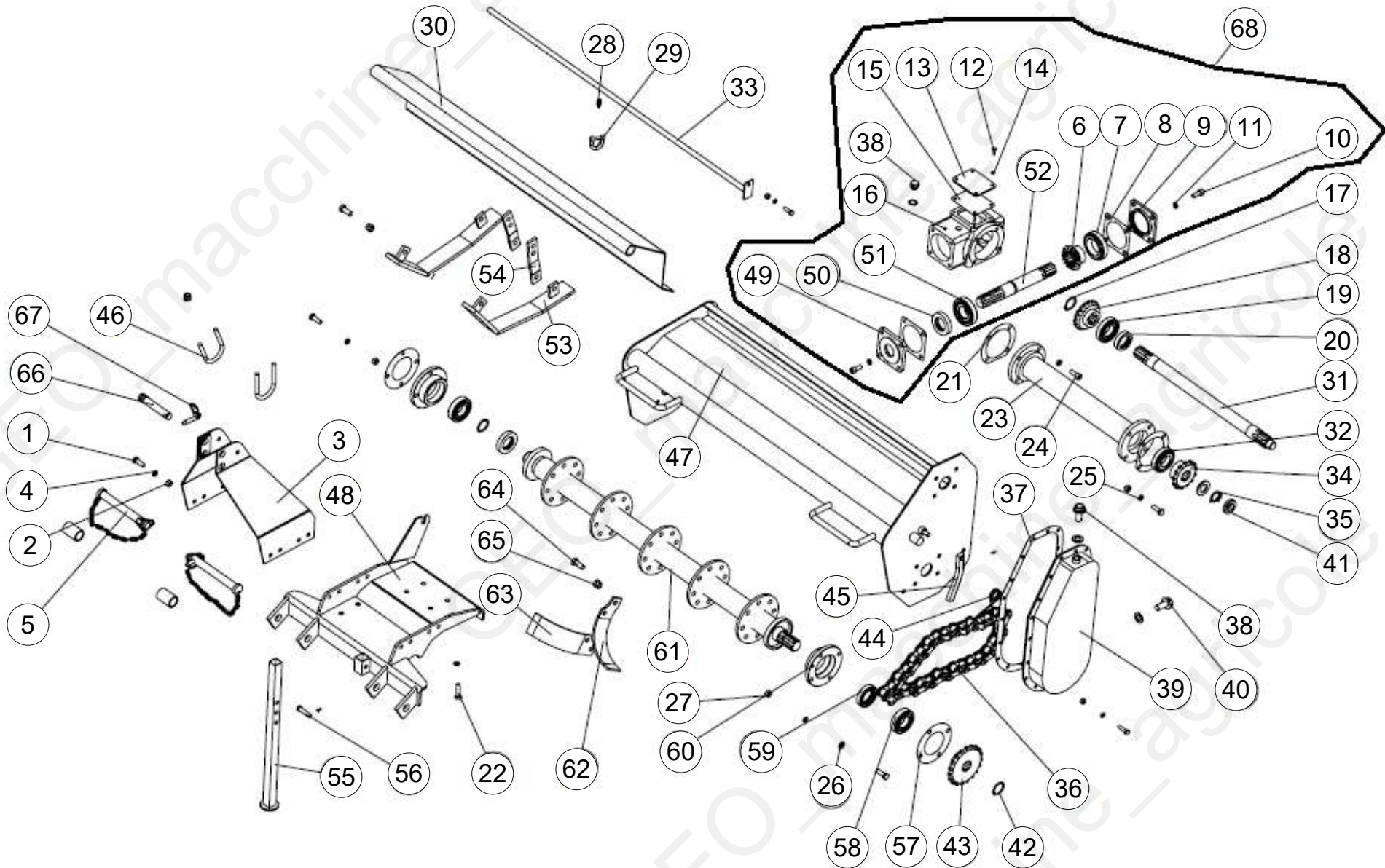
Assembly: TL_parte 2



Pos	Code	Description	NOTE	Q.
1	TL135.001	roller 135		1
2	TL135.002	Connection plate		2
3	GB/T7810-UCFLU205	BEARING UCFLU205		2
4	TL135.004	nut		8
5	TL135.005	washer		8
6	TL135.006	bolt		8

TL 2010_2014





Pos	Code	Description	NOTE	Q.
1	TL.001	Bolts		8
2	TL.002	Nuts		8
3	TL.003	Shield protective cover		1
4	TL.004	Washer		8
5	TL.005	Lower suspension pin		2
6	TL.006	Small bevel gear		1
7	TL.007	Bearing 30207		1
8	TL.008	Oil seal ring		2
9	TL.009	Cap		1
10	TL.010	Bolts		8
11	TL.011	Washer		8
12	TL.012	Bolts		4
13	TL.1.013	Cap		1
14	TL.1.014	Washer		4
15	TL.1.015	Oil seal ring		1
16	TL.2.016	Intermediate gearbox		1
17	TL.017	Circlip diam 32		1
18	TL.1.018	Big bevel gear		1
19	TL.1.019	Bearing		1
20	TL.1.020	Oil seal		1
21	TL.1.021	Oil seal ring		2
22	TL.1.022	Bolts		4
23	TL.095.023	Main Frame TL95		1
23	TL.105.023	Main Frame TL105		1
23	TL.115.023	Main Frame TL115		1

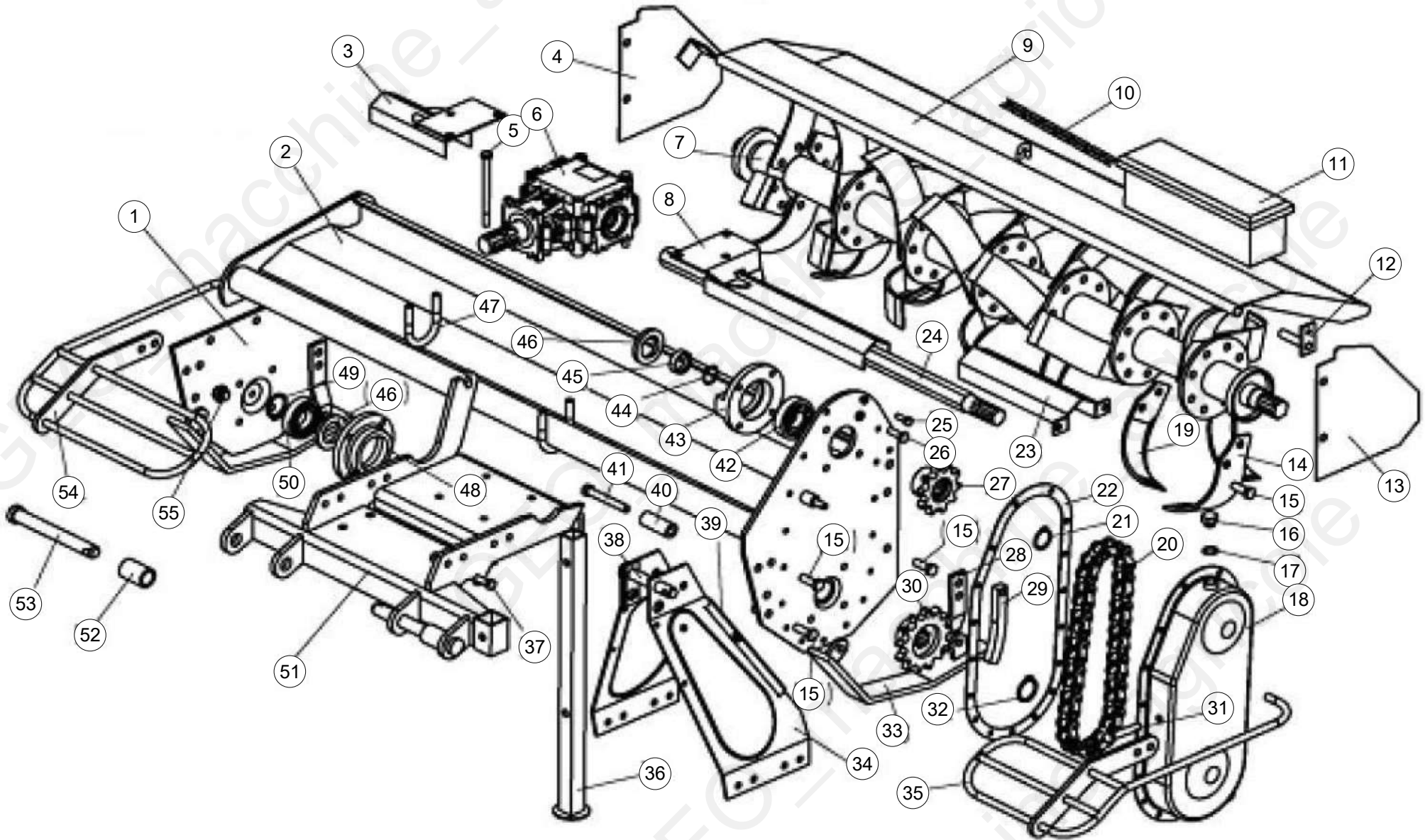
Pos	Code	Description	NOTE	Q.
23	TL.125.023	Main Frame TL125		1
23	TL.135.023	Main Frame TL135		1
24	TL.1.024	Bolts		8
25	TL.1.025	Washer		8
26	TL.1.026	Washer		8
27	TL.1.027	Nut		0
28	TL.1.028	Chain		1
29	TL.1.029	Hook		1
30	TL.030.01	Tail plate TL95		1
30	TL.030.02	Tail plate TL105		1
30	TL.030.03	Tail plate TL115		1
30	TL.030.04	Tail plate TL125		1
30	TL.030.05	Tail plate TL135		1
31	TL.095.031	2nd shaft TL95		1
31	TL.105.031	2nd shaft TL105		1
31	TL.115.031	2nd shaft TL115		1
31	TL.125.031	2nd shaft TL125		1
31	TL.135.031	2nd shaft TL135		1
32	TL.1.032	Bearing		1
33	TL.033.01	Rod TL95		1
33	TL.033.02	Rod TL105		1
33	TL.033.03	Rod TL115		1
33	TL.033.04	Rod TL125		1
33	TL.033.05	Rod TL135		1
34	TL.034	Small sprocket wheel TL		1

Pos	Code	Description	NOTE	Q.
35	TL.035	Washer		1
36	TL.036.01	Chain TL95-105(12A-60H)		1
36	TL.036.02	Chain TL115-125-135 (16A-80H)		1
37	TL.037	Oil seal ring		1
38	TL.038	Oil filler plug		1
39	TL.039	Side chain gear box		1
40	TL.040	Oil drain plug		1
41	TL.041	Circular nut		1
42	TL.042	Circlip diam 32		1
43	TL.043	Big sprocket wheel TL		1
44	TL.044	Spring		1
45	TL.045	Tension plate		1
46	TL.046	U-bolts		2
47	TL.047.01	Main Frame TL95		1
47	TL.047.02	Main Frame TL105		1
47	TL.047.03	Main Frame TL115		1
47	TL.047.04	Main Frame TL125		1
47	TL.047.05	Main Frame TL135		1
48	TL.048	Foot pedal		1
49	TL.1.049	Cap		1
50	TL.1.050	Oil seal		1
51	TL.1.051	Bearing		1
52	TL.1.052	First shaft		1
53	TL.053	Anti-friction plate L		1
54	TL.1.054	Connection plate		2

Pos	Code	Description	NOTE	Q.
55	TL.055	Stay bar		1
56	TL.056	Pin		1
57	TL.057	Oil seal ring		2
58	TL.058	Bearing 6207		2
59	TL.059	Oil seal		2
60	TL.060	Bearing seat		2
61	TL.061.01	Blades shaftTL95		1
61	TL.061.02	Blades shaftTL105		1
61	TL.061.03	Blades shaftTL115		1
61	TL.061.04	Blades shaft TL125		1
61	TL.061.05	Blades shaftTL135		1
62	1GQ.11.128	Blade (L)		0
63	1GQ.11.127	Blade (R)		0
64	TL.064	Blades bolt		0
65	TL.065	Blades nut		0
66	TL.066	Upper suspension pin		1
67	TL.067	Spring lock pin		1
68	TL.01.060	Complete Gearbox		0

TL 2009 2010

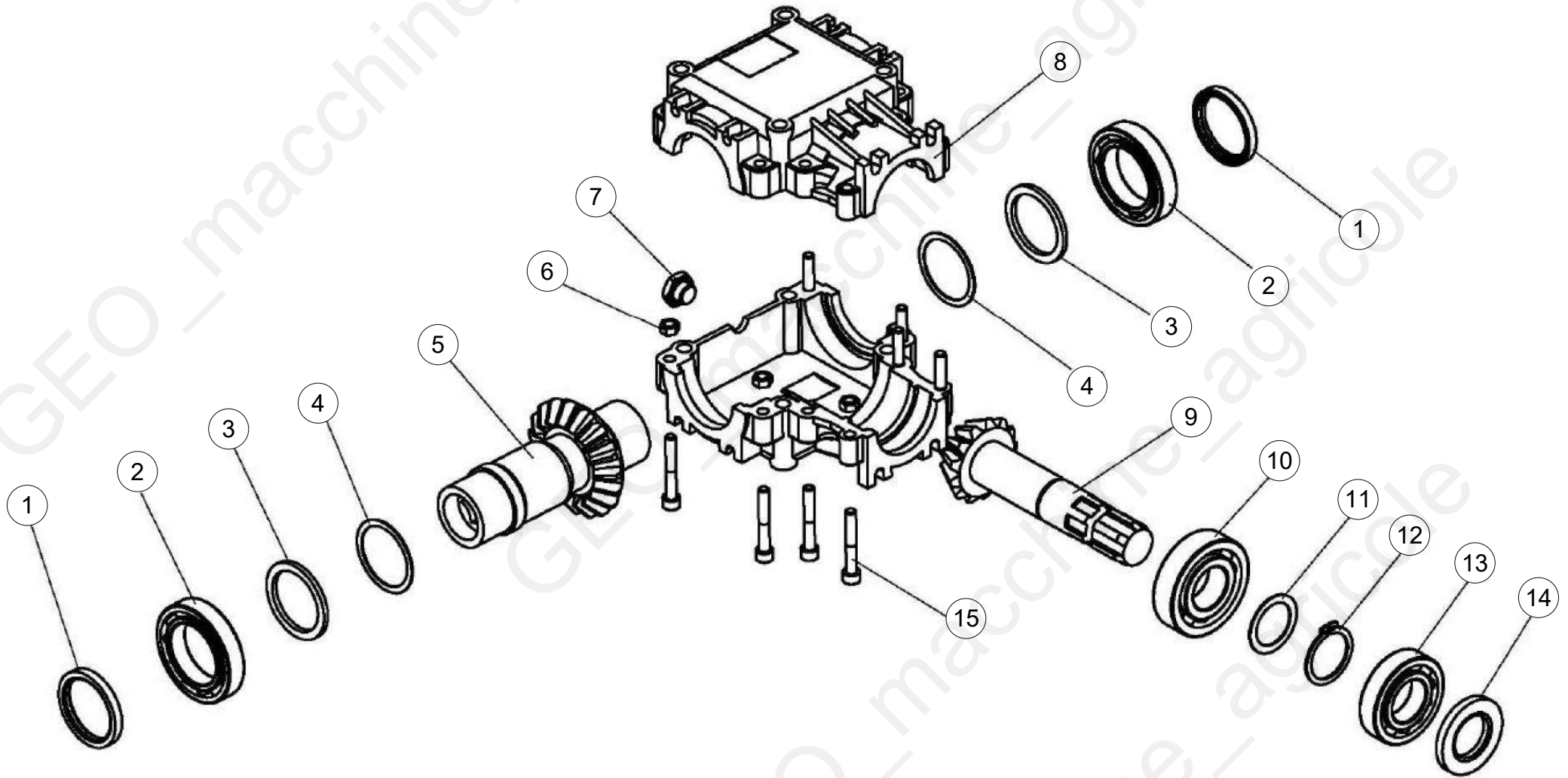




Pos	Code	Description	NOTE	Q.
1	1GQ-125.11.102	Right supporting plate		1
2	1GQ-1125-11-021-135	Rotary Tiller case weldment TL135		0
2	1GQ-125.11.021.115	Rotary Tiller case weldment TL115		0
2	1GQ-125.11.021.95	Rotary Tiller case weldment TL95		1
3	1GQ-125.11.015	Transmission shaft cover (R)		1
4	1GQ-125.11.154	Protecting plate (R)		1
5	1GQ-125.11.103	Bolt M10×135		4
6	XH41100101	Gear box Assembly		1
7	TL125-90A.115	Shaft for blade TL115		0
7	TL125-90A.135	Shaft for blade TL135		0
7	TL125-90A.95	Shaft for blade TL95		1
8	1GQ-125.11.016	Transmission shaft cover		1
9	1GQ-125.11.020.115	Rear protecting plate weldment TL115		0
9	1GQ-125.11.020.135	Rear protecting plate weldment TL135		0
9	1GQ-125.11.020.95	Rear protecting plate weldment TL95		1
10	TL.001.010	Chains (16 nodes)		1
11	1GQ-125.11.026	Plastic tool box		1
12	1GQ-125.11.014	Fixing pole weldment		2
13	1GQ-125.11.153	Protecting plate (L)		1
14	1GQ.11.127	Blade (R)		14
15	GB5783-86/M12x35	Bolt M12×35		58
16	CBW-00.112	Oil plug		2
17	CBW-00.103	Plain washer		2
18	1GQ-125.11.018	Chain box		1
19	1GQ.11.128	Blade (L)		14

Pos	Code	Description	NOTE	Q.
20	1GQ-125.11.017	Transmission Chains 16Ax17		1
21	GB894.1-86-30	Circlip 30		1
22	1GQ-125.11.125	Wood gasket		1
23	1GQ-125.11.023	Transmission shaft cover		1
24	1GQ-95.11.107	Transmission shaft		1
25	GB5783-86/M8x25	Bolt M8x25		17
26	GB5783-86/M10x30	Bolt M10x30		12
27	1GQ-125.11.123	Drive chain wheel		1
28	1GQ-125.11.152	Adjusting plate		2
29	1GQ-125.11.126	Adjusting lath		1
30	1GQ-125.11.124	Driven chain wheel		1
31	GB5783-86/M14X65	Bolt M14x65		1
32	GB894.1-86-34	Circlip 34		1
33	1GQ-125.11.019	Track plate weldment		2
34	1GQ-125.11.011	Lift plate weldment		1
35	1GQ-125.11.024	Protecting handrail weldment(LH)		1
36	1GQ-125.11.022	The brace weldment		1
37	GB5783-86/M10x30	Bolt M10x30		8
38	EF100.00.019	Support		1
39	1GQ-125.11.110	Protecting plate		1
40	1GQ-125.11.158	Sleeve		1
41	GB5783-86/M12x80	Bolt M12x80		1
42	GB/T.276-94-6306	Bearing 6306		1
43	1GQ-125.11.109	Bearing seat		1
44	GB.3451.1.-.82	O-ring 28x2.65		1

Pos	Code	Description	NOTE	Q.
45	1GQ-125.11.108	Transmission shaft sleeve		1
46	GB9877.1-88	Seal ring FB 40x62x8		3
47	1GQ-125.11.101	U bolt		2
48	1GQ-125.11.104	Bearing seat		1
49	GB894.1-86-35	Circlip 35		1
50	GB/T.276-94-6207	Bearing 6207		1
51	1GQ-125.11.012	Gear box supporting		1
52	EF100.00.106	Pin sleeve		1
53	EF100.00.139	Lift pin shaft		1
54	1GQ-125.11.025	Protecting handrail weldment(RH)		1
55	GB11152-89	Grease nipple M10x1		1



Pos	Code	Description	NOTE	Q.
1	556263	Oil seal		2
2	557126	Bearing		2
3	41100102	Gasket		2
4	41100106	Adjusting gasket		2
5	41100105	Gear shaft		1
6	553498	Nut		8
7	552899	Oil plug (with O ring)		1
8	41100108	Gear box case		2
9	41100109	Gear shaft		1
10	557180	Bearing		1
11	41100107	Adjusting gasket		1
12	555204	Circlip for shaft		1
13	557150	Bearing		1
14	556105	Oil seal		1
15	552506	Hex.head bolt		8