

Spare Part Book



TLP



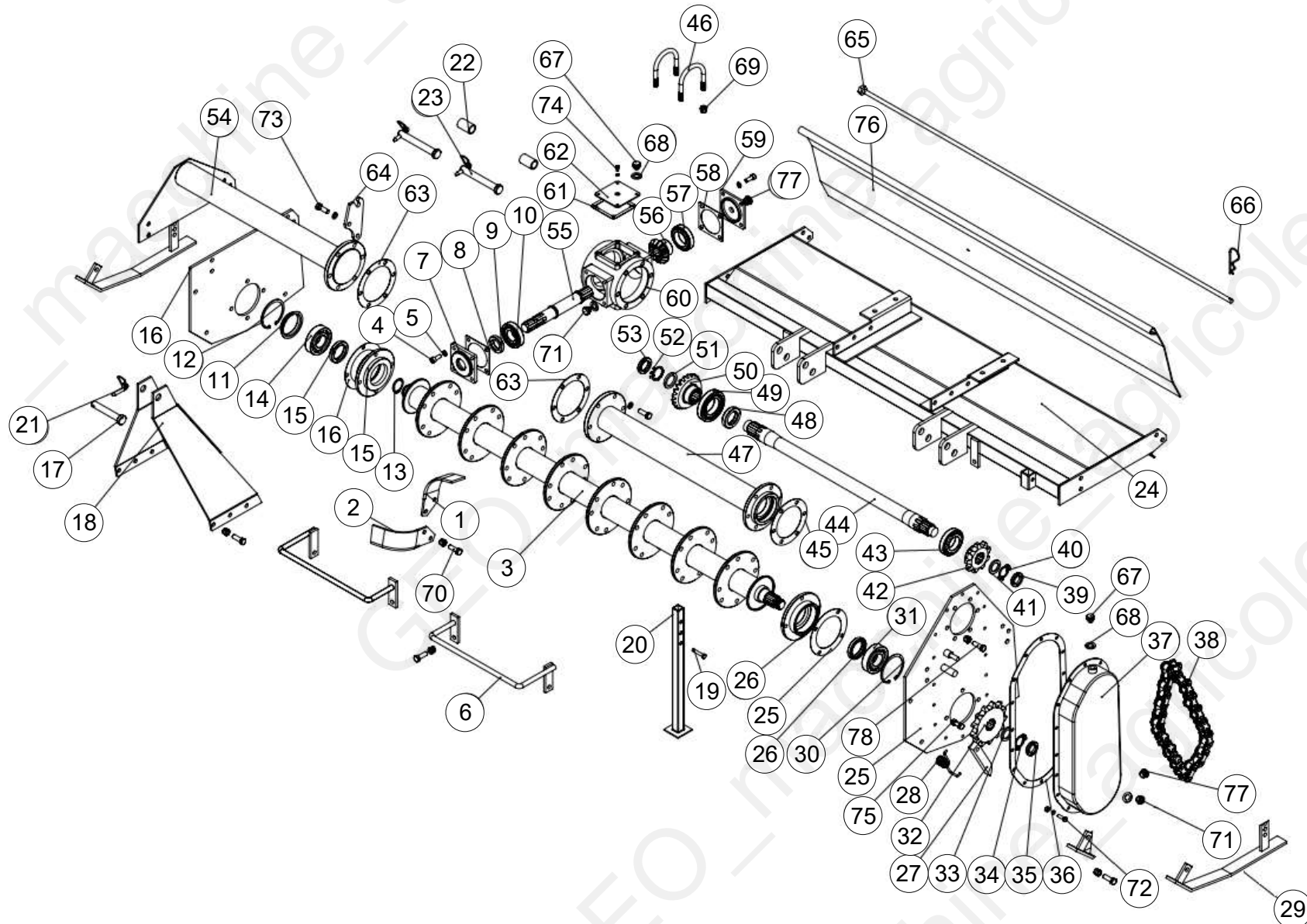
Table of Contents

Tavola	Page
TLP	3

TLP



GEO Italy S.R.L.



Pos	Code	Description	NOTE	Q.
1	TLP-001	Left-bent blade		16
2	TLP-002	Right-bent blade		16
3	TLP.01.003	Blade shaft TLP150		1
3	TLP.02.003	Blade shaft TLP180		1
4	TLP-004	Bolts		0
5	TLP-005	Spring washer diam 10		8
6	TLP.01.006	Protective guard		2
7	TLP-007	Cap		1
8	TLP-008	Oil seal ring		2
9	GB13871-94-35X65X12	Oil seal35*65*12		1
10	TLP-010	Bearing 30307		1
11	TLP-011	cover		1
12	TLP-012	Eyelet washer diam 80		1
13	TLP-013	Shaft washer diam 40		1
14	TLP-014	Bearing 6308		2
15	GB13871-94-50X72X12	Oil Seal of bearing seat 50x72x12		1
15	TLP.01.15	Bearing seat		1
16	TLP.01.16	Side board		1
16	TLP.02.15	Oil seal ring of bearing seat		1
17	TLP-017	Pin		1
18	TLP-018	Shield protective cover		1
19	TLP-019	Pin		1
20	TLP-020	Stay bar		1
21	TLP-021	Pin		3
22	TLP-022	Sheath		2

Pos	Code	Description	NOTE	Q.
23	TLP-023	Pin		2
24	TLP-024.01	Cover 150		1
24	TLP-024.02	Cover 180		1
25	TLP.01.025	Side board		1
25	TLP.02.025	Oil seal ring of bearing seat		1
26	GB13871-94-50x72x12	Oil Seal of bearing seat 50x72x12		1
26	TLP.03.025	Bearing seat		1
27	TLP-027	Tension plate		1
28	TLP-028	Spring		1
29	TLP-029	Anti-friction plate		2
30	TLP-030	Eyelet washer diam 80		1
31	TLP-031	Bearing		1
32	TLP-032	Big sprocket wheel		1
33	TLP-033	Washer diam 40		1
34	TLP-034	Eyelet washer diam 40		1
35	TLP-035	Circular nut		1
36	TLP-036	Oil seal ring		1
37	TLP-037	Side chain gearbox		1
38	TLP-038	Chain		1
39	TLP-039	Circular nut		1
40	TLP-040	Stop washer diam 40		1
41	TLP-041	Washer diam 40		1
42	TLP-042	Small sprocket wheel		1
43	TLP-043	Bearing 30209		1
44	TLP.01.44	Second shaft TLP 150		1

Pos	Code	Description	NOTE	Q.
44	TLP.02.44	Second shaft TLP 180		1
45	TLP.01.045	Oil seal ring		1
46	TLP-046	U-bolts		2
47	TLP-047	Main frame pipe		1
48	TLP-048	Oil seal 7309		1
49	TLP-049	Bearing 30211		1
50	TLP-050	Big bevel gear		1
51	TLP-051	Washer diam 40		1
52	TLP-052	Stop washer diam 40		1
53	TLP-053	Circular nut		1
54	TLP-054	Auxiliary frame pipe		1
55	TLP-055	First shaft		1
56	TLP-056	Small bevel gear 13 teeth		1
57	TLP-057	Bearing 32010		1
58	TLP-058	Oil seal ring		1
59	TLP-059	Cap		1
60	TLP-060.01	Complete Gearbox		1
60	TLP-060.02	Intermediate gearbox		1
61	TLP-061	Oil seal ring		1
62	TLP-062	Cap		1
63	TLP-063	Oil seal ring		2
64	TLP-064	Suspension Slice		1
65	TLP01.065.150	Rod 150		1
65	TLP01.065.180	Rod 180		1
66	TLP01.066	B type pin		1

Pos	Code	Description	NOTE	Q.
67	TLP01.067	Venting oil plug		2
68	TLP-068	Copper gasket		2
69	TLP-069	M12 locknut		1
70	TLP-070	M12*30 bolt+locknut		1
71	TLP-071	Oil drain plug		2
72	TLP-072	M8*25 bolt + nut + spring washer		16
73	TLP-073	M12*35 bolt + spring washer		12
74	TLP-074	M6*10 bolt + spring washer		4
75	TLP-075	M10*35 bolt + nut+ bonded washer		8
76	TLP.01.76	Tail plate TLP 150		1
76	TLP.02.76	Tail plate TLP 180		1
77	TLP-077	oil check plug		2
78	TLP-078	Bolt+locknut		6