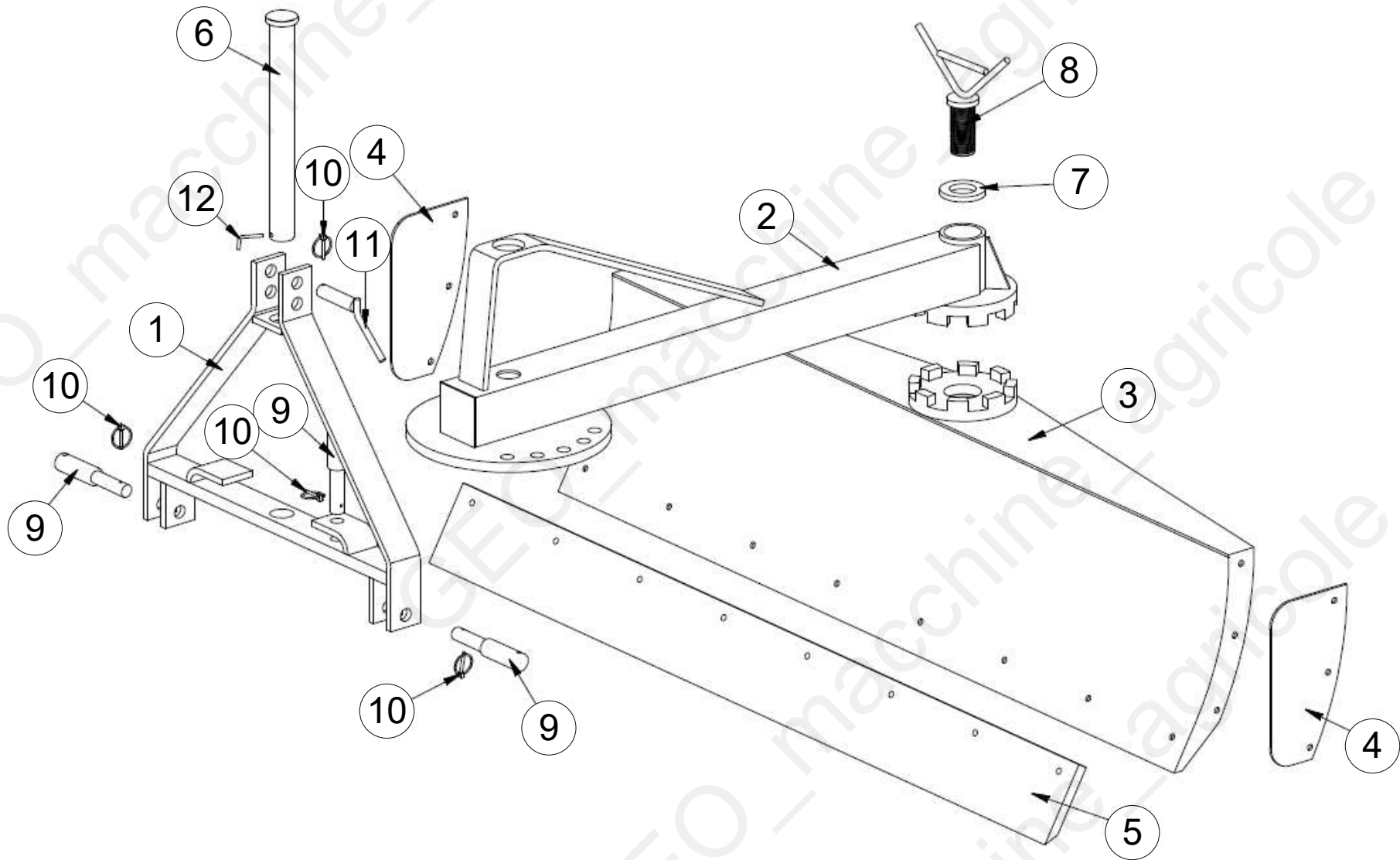


GL



Table of Contents

Tavola	Page
GL_parte 1	3



Machine: GL

Assembly: GL_parte 1



Pos	Code	Description	NOTE	Q.
1	GL-01	3 point Frame		1
2	GL-02	ARM		2
3	GL-03.120	Blade Body 120		1
3	GL-03.140	Blade Body 140		1
3	GL-03.160	Blade Body 160		1
3	GL-03.180	Blade Body 180		1
3	GL-03.200	Blade Body 200		1
4	GL-04	Side blade		2
5	GL-05.120	Bottom Blade 120		1
5	GL-05.140	Bottom Blade 140		1
5	GL-05.160	Bottom Blade 160		1
5	GL-05.180	Bottom Blade 180		1
5	GL-05.200	Bottom Blade 200		1
6	GL-06	axle		1
7	GL-07	Washer		1
8	GL-08	bolt		1
9	GL-09	Lock pins		1
10	GL-10	R pins		3
11	GL-11	Top pins		1
12	GL-12	Botton pins		2