

Macchina

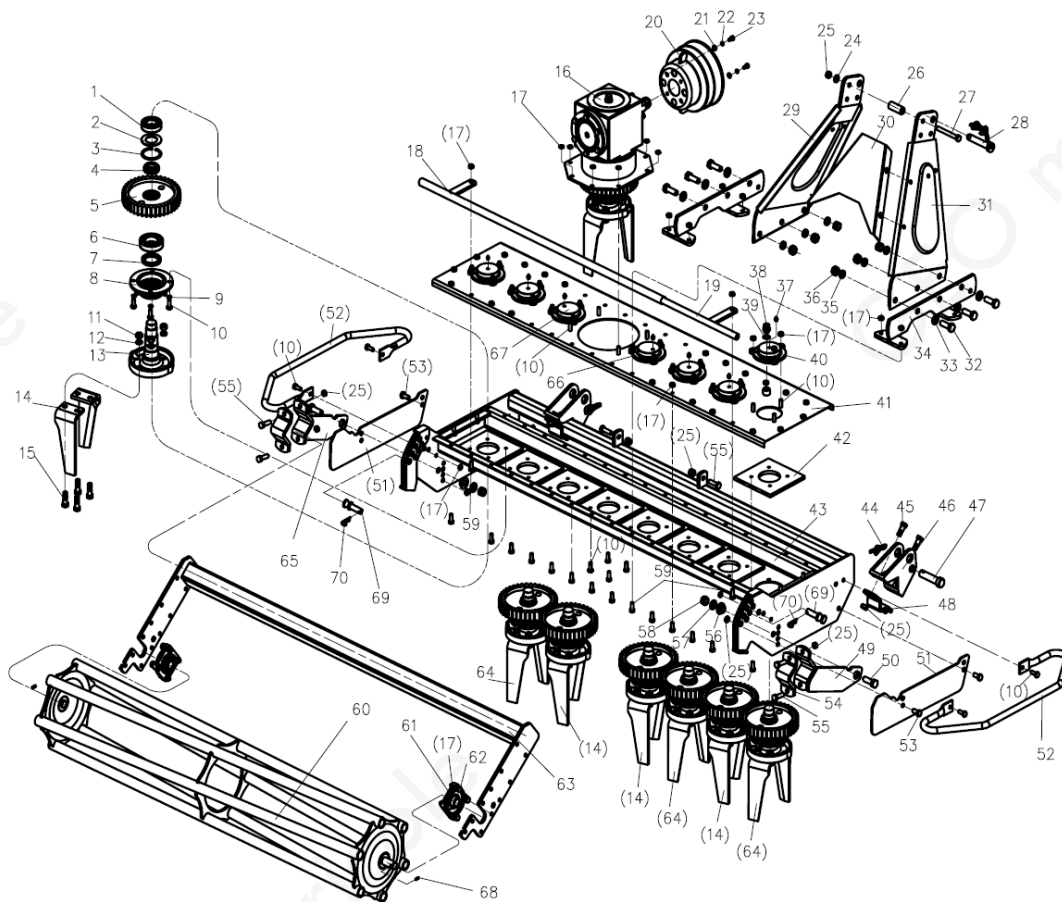
MG



Sezione

1

MG_MainAssembly



SerNo	PartNo	Description	Quantity
1	GB 278-89	Bearing 60207	7
2	LXG170.115	Big washer	7
3	GB 893.1 - 1986	Seeger ring 72	7
4	LXG170.116	Self locking nut M39x1.5	7
5	LXG170.118	Export gear(two)	7
6	GB/T 276-94	Bearing 6209	7
7	GB 13871 - 1992	Oil seal FB - 50 x 68 x 8	7
8	LXG170.112	Rotor support down panel(two)	7
9	GB 93-87	Washer 10	32

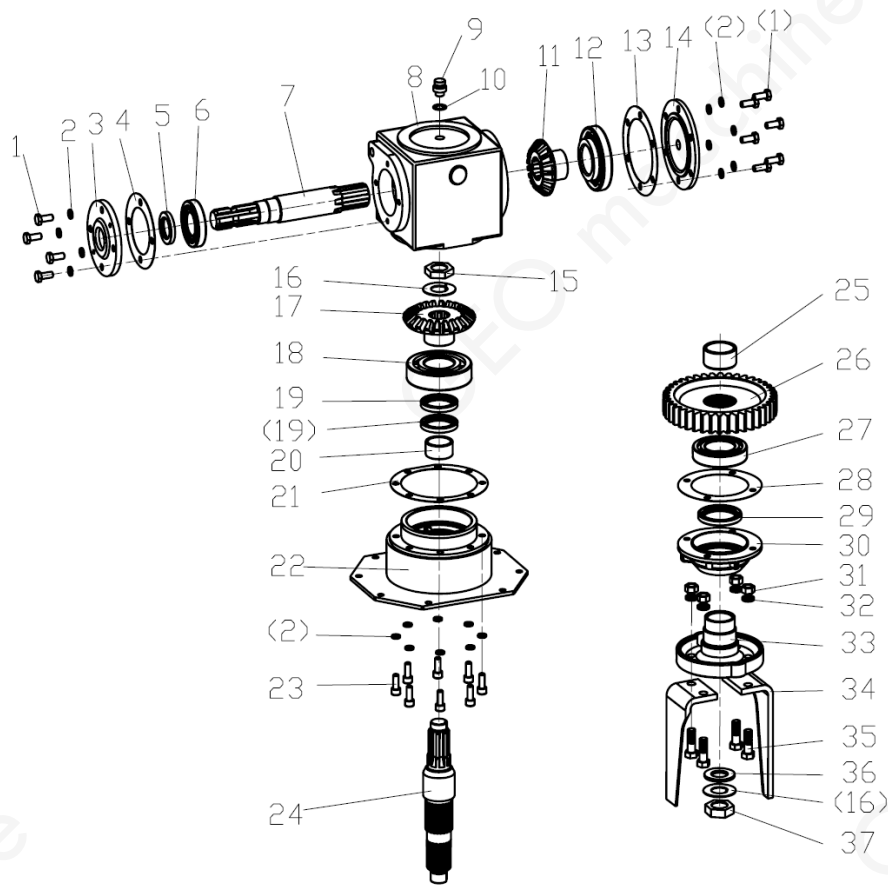
10	GB 5783-86	Bolt M10 x 35	32
11	GB 6170-86	Nut M14	32
12	GB 93-87	Washer 14	32
13	LXG170.110	Colter fixing seat	7
14	LXG170.109.2	Blade (L)	8
15	GB 5782-86	Bolt M14x60	32
16	LXG170.011	Gear case assembly	1
17	GB 6184-86	Six corner locknut M10	77
18	LXG170.018	Staff guage jointing(one)	1
19	LXG170.020	Staff guage jointing(two)	1
20	FM120.00.401	Cover	1
21	GB97.1-85	Washer 8	2
22	GB93-87	Washer 8	2
23	GB5783-86	Bolt M8x16	2
24	GB 97.1-85	Washer 12	2
25	GB6184-86	Six corner locknut M12	2
26	MZ105.130	Bushing	2
27	GB 5782-86	Bolt M12x100	2
28	EF100.00.019	Above append pin	1
29	LXG170.029	Sx 3rd point	1
30	LXG170.104	Reinforcement	1
31	LXG170.028	Dx 3rd point	1
32	GB 5782-86	Bolt M16x45	6
33	GB 97.1-85	Washer 16	6
34	LXG170.012	Impendend connect fixing joint	2
35	GB 93-87	Washer 16	6
36	GB 6170-86	Nut M16	6
37	GB1152-89	Frank press oiling cup M10x1	8
38	CBW	Aerate bolt discreteness	2
39	GB3541-83	Washer 16	2
40	LXG170.102	Rotor support above panel(one)	6
41,1	MG135.015	Above cover boart jointing 135	1
41,2	MG175.015	Above cover boart jointing 175	1
41,3	MG210.015	Above cover boart jointing 210	1
42	LXG170.132	Mat	8
43	MG135.016	Engine rack jointing	1
44	200.56.011	Snap pin chain	2
45	GB 5783-86	Bolt M12x40	4
46	LXG170.130	Stirrup(two)	2

47	LXG170.106	Pin (one)	2
48	LXG170.131	Stirrup(one)	2
49	LXG170.021	Unknit rack right connect join	1
50	GB 5783-86	Bolt M16x45	2
51	LXG170.122	Shield	2
52	LXG170.101	Shield rack	2
53	GB 5783-86	Bolt M12x30	4
54	RT150.107	U bolt	2
55	GB 5783-86	Six corner bolt	18
56	LXG170.108	Bush	2
57	GB 97.1-85	Washer 16	2
58	GB 6184-86	Six corner locknut M16	2
59	GB 5783-86	Bolt M10x30	10
60,1	MG135.024	Unlnit implement jointing 135	1
60,2	MG175.024	Unlnit implement jointing175	1
60,3	LXG210.024	Unlnit implement jointing 210	1
61	GB/T 7810-1995	Squareness bearing UCFU205	2
62	GB 5783-86	Bolt M10x40	8
63,1	MG135.025	Unlnit implement connect rack 135	1
63,2	MG175.025	Unlnit implement connect rack 175	1
63,3	LXG210.025	Unlnit implement connect rack 210	1
64	LXG170.109.1	Blade (R)	8
65	LXG170.017	Unknit rack left connect joint	1
66	LXG170.103	Rotor support above panel(two)	1
67	LXG170.105	Rotor support above panel(thre	1
68	GB 879-86	pin 8x36	2
69	LXG170.250	pin	2
70	ZL-25.106	pin	2

Sezione

2

MG_Gearbox



SerNo	PartNo	Description	Quantity
1	GB5783-86	Bolt M10x25	10
2	GB93-87	Washer 10	17
3	1G-150.01.116	Front cover	1
4	1G-150.01.115	Front casket	1
5	HG4-692-67	Oil seal PD38x55	1
6	GB297-84	Bearing 7208E	1
7	1G-150.01.117	Transmission shaft	1
8	1G-150.01.118	Gearbox	1
9	CBW-00.011	Breather plug	1
10	CBW-00.103	Washer	2
11	1G150.02-04	Smallcone-shaped gear	1
12	GB297-84	Bearing 7310E	1
13	1G-150.01.111	Back end casket	1
14	1G-150.01.110	Back end cover	1
15	1G-150.01.131	Nut M30x1.5	1
16	1G-150.01.132	Lock washer	2
17	1G150.04-08	Big cone-shaped gear	1
18	GB/T 276-94	Bearing 6311	1
19	GB 13871 - 1992	Oil seal 50x68x8	10

20	LXG170.138	Bushing(two)	1
21	1G-150.01.114	Casket	1
22	LXG170.026	Setting	1
23	GB 70-85	Bolt M10x25	8
24	LXG170.136	Output axes	1
25	LXG170.135	Bushing	1
26	LXG170.133	Output gear(one)	1
27	GB/T 276-94	Bearing 6211	1
28	LXG170.128	Gasket	8
29	GB 13871 - 1992	Oil seal PB-60x80x8	1
30	LXG170.147	Bearing seat(one)	1
31	GB 6170-86	Nut M14	32
32	GB 93-87	Washer 14	32
33	LXG170.126	Colter setting seat	1
34	LXG170.123	Colter (two)	8
35	GB 5782-86	Bolt M14x40	32
36	LXG170.125	Washer 30	1
37	1G-150.01.131A	Nut M30x1.5x14	1