

## IGN

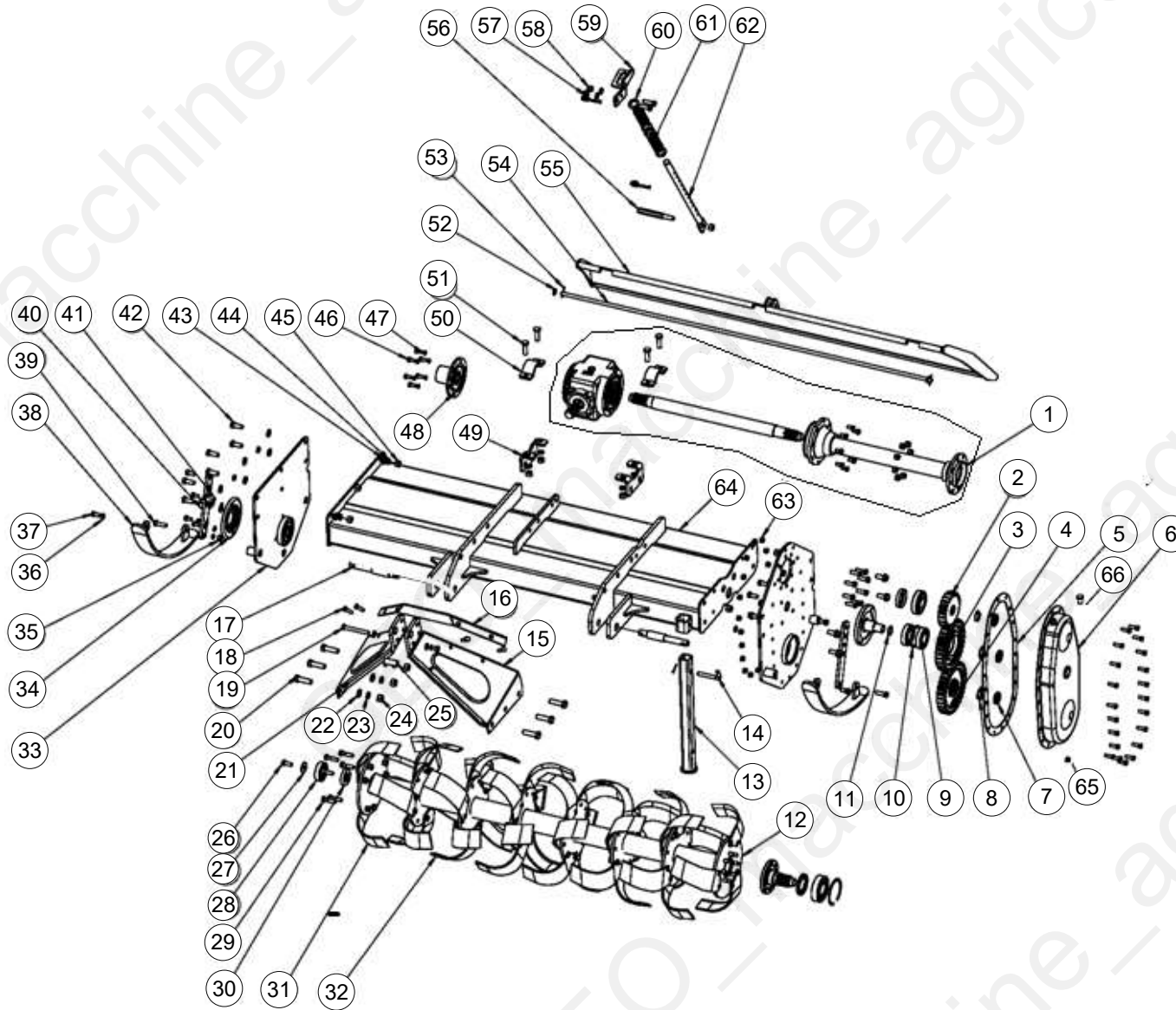


# Table of Contents

<b>Tavola</b>	<b>Page</b>
IGN	3
IGN 2013 2016	15
IGN 2009 2012	26
IGN 210	35

## IGN





Pos	Code	Description	NOTE	Q.
2	1G150.04-03	Up Gear		1
3	1G150.04-02-1	Middle Gear		1
4	1G150.04-01	Low Gear		1
5	1G-150.01.102	Lignum washer for gear box		1
6	1G-150.01.012-1	Cover Gears		1
7	1G-150.01.131	Nut M30x1.5		3
8	GB858-30	LOCK WASHER 30		3
9	GB276-6208	Bearing 6208		2
10	GB893.1-80	Seeger ring 80		1
11	GB3452.1-G-28X3.55			1
12	1G-105.00.011	Shaft for blade 105 without blades		1
12	1G-105.00.011-2	Complete Blade Axle 105 with blades		1
12	1G-125.00.011	Shaft for blade 125 without blades		1
12	1G-125.00.011-2	Complete Blade Axle 125 (123cm) with blades		1
12	1G-150.00.011	Shaft for blade 150 without blades		1
12	1G-150.00.011-2	Complete Blade Axle 150 (148cm) with blades		1
12	1G-180.00.011	Shaft for blade 180 without blades		1
12	1G-180.00.011-2	Complete Blade Axle 180 with blades		1
13	1G-150.00.018	Supporting Leg		1
14	ZL-25.103	Right-angle pin		1
15	1G-150.00.016.L	Three point (L)		1
16	1G-150.00.106	Three point Link		1
17	FTL.125.124A	pin shaft		2
18	GB5783-M10X30	Bolt M10X30		25
19	GB5782-M12X100	Bolt M12x100		1

Pos	Code	Description	NOTE	Q.
20	GB5782-M16X55	Bolt M16X55		6
21	1G-150.00.016.R	Three point ( R)		1
22	GB97.1-16	Plain washer 16		6
23	GB93-16	spring washer 16		6
24	GB6170-M16	Nut 16		6
25	MZ105.130	Sleeve Spacer		1
26	GB5783-M12X30	Bolt M12X30		9
27	MZ105.115	Retaining Lock washer		1
28	GB276-6306	Bearing 6306		1
29	GB5785-M12X1.25X35	Bolt M12X1.25X35		12
30	GB13871-FB-35X62X12	Oil Seal 35X62X12		1
31	1G-150.00.103	Left blade		21
32	1G-150.00.102	Right blade		21
33	1G-150.00.014	Right side panel		1
34	1G-150.00.104	bearing cover plate		1
35	GB6170-M12	Nut 12		15
36	GB93-12	spring washer 12		27
37	GB5783-M12X25	Bolt M12X25		4
38	1G-150.00.013	Skid		2
39	GB5783-M12x40	bolt M12x40		4
40	1G-150.00.101	Supporting SKID		2
41	GB97.1-10	PLAIN WASHER 10		4
42	GB5783-M14X35	Bolt M14X35		10
43	GB97.1-14	Plain washer 14		12
44	GB93-14	spring washer 14		13

Pos	Code	Description	NOTE	Q.
45	GB6170-M14	Nut 14		9
46	GB5783-M10X20	Bolt M10x20		18
47	GB93-10	spring washer 10		42
48	1G-150.01.136	Adapter		1
49	1G-150.00.130A			2
50	1G-150.00.109A			2
51	GB5783-M14X45	Bolt M14X45		4
52	GB97.1-12	plain washer 12		6
53	GB91-3X28			3
54	1G-105.00.105	Rear protecting plate shaft 105		1
54	1G-125.00.105	Rear protecting plate shaft 125		1
54	1G-150.00.105	Rear protecting plate shaft 150		1
54	1G-180.00.105	Rear protecting plate shaft 180		1
55	1G-105-012-2			1
55	1G-125-012-2			1
55	1G-150-012-2			1
55	1G-180-012-2			1
56	1G-150.00.147			1
57	ZL-25.104	R pin		2
58	DIN985-M12	nut M12		2
59	1G-150.00.145			1
60	GB97.1-22	Plain washer 22		4
61	1G-150.00.149A	Spring		2
62	1G-150.00.148			1
63	GB6170-M10	Nut 10		24

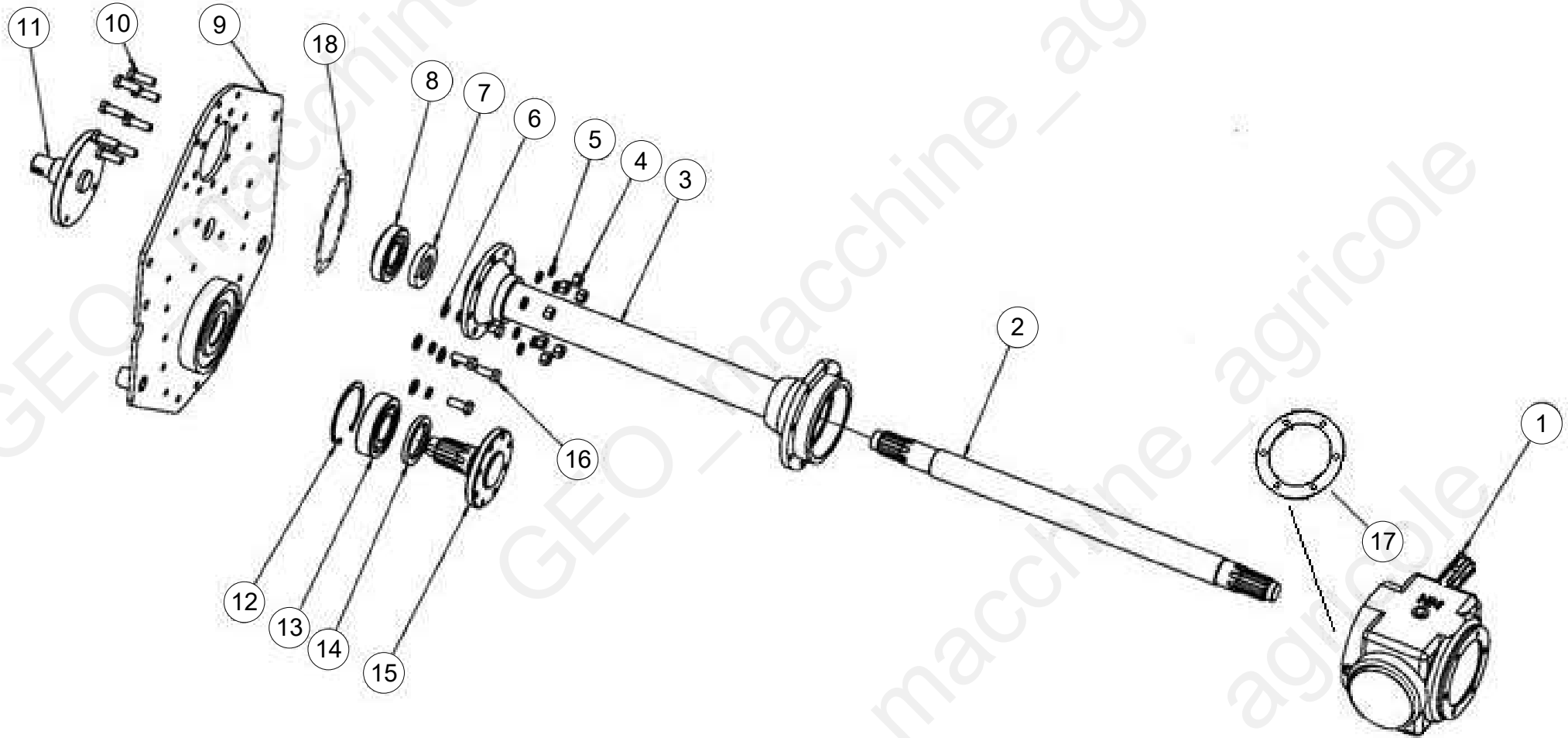
Machine: IGN

Assembly: IGN\_parte 1



Pos	Code	Description	NOTE	Q.
64	1G-105.00.015	Main Deck 105		1
64	1G-125.00.015	Main Deck 125		1
64	1G-150.00.015	Main Deck 150		1
64	1G-180.00.015	Main Deck 180		1
65	JB1000-BM16×1.5	PLUG M16x1.5		1
66	ZBT32001.3-Z16	cap plug M16x1.5		1



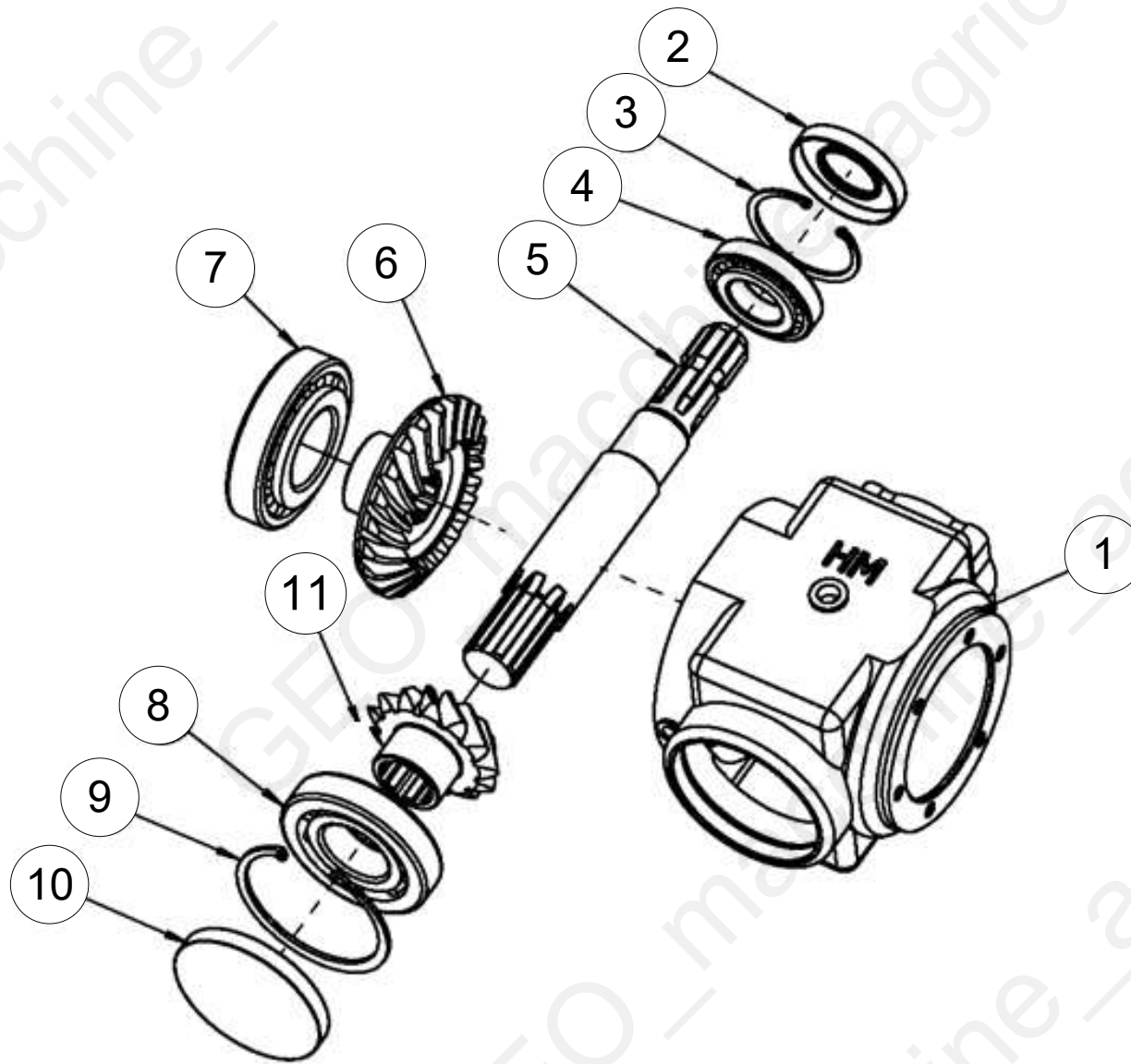


Machine: IGN

Assembly: IGN\_parte 2



Pos	Code	Description	NOTE	Q.
1	1G-150.01.118	Complete Gearbox		1
2	1G-125.01.109	Main Shaft 125		1
2	1G-150.01.109	Main Shaft 150		1
2	1G-180.01.109	Transmission shaft 180		1
3	1G-125.01.013A	Cover Trasmission 125		1
3	1G-150.01.013A	Cover Trasmission 150		1
3	1G-180.01.013A	Cover Trasmission 180		1
4	GB6170-M12	Nut 12		8
5	GB93-12	spring washer 12		12
6	GB97.1-12	plain washer 12		4
7	CFW-40X70X12	Oil Seal 40X70X12		1
8	GB297-30308	Bearing 30308		1
9	1G-150.01.011	Left side panel weldment		1
10	GB5783-M12X35	Bolt M12X35		8
11	1G-150.01.106-2	Idle Gear		1
12	GB893.1-100	Circlip 100		1
13	GB276-6309	Bearing 6309		1
14	GB13871-FB-55X80X8	Oil Seal 55X80X8		1
15	1G-150.01.104	Connection Blade Axle		1
16	GB5783-M12X30	Bolt M12X30		4
17	1G-150.01.114	Paper washer		0
18	1G-150.01.108	paper washer		0

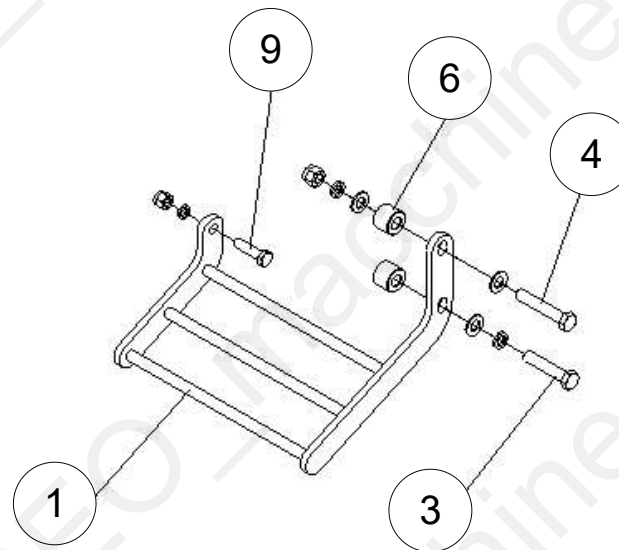
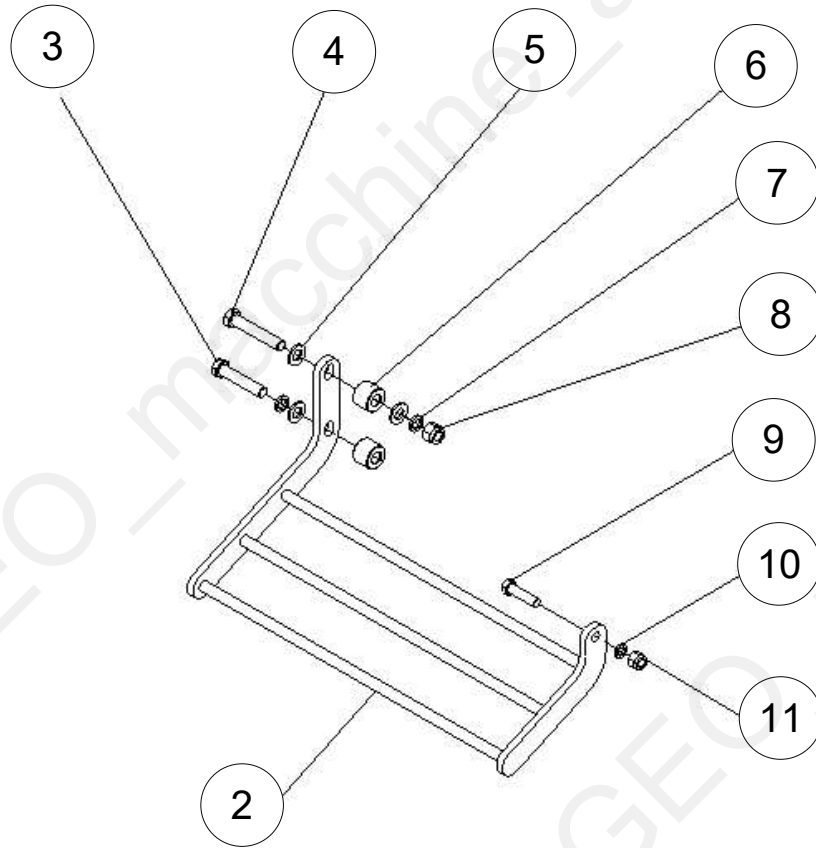


Machine: IGN

Assembly: IGN\_parte 3



Pos	Code	Description	NOTE	Q.
1	1G-150.01.1118	Gear box case		1
2	CFW-40X80X12	Oil seal 40X80X12		1
3	GB893.1-80	Seeger ring 80		1
4	GB297-30208	Bearing 30208		1
5	1G-150.01.117-1	Transmission shaft		1
6	1GN180.00.141	Big Bevel Gear 36-40		1
7	GB297-30311	Bearing 30311		1
8	GB297-30310	Bearing 30310 cone		1
9	GB893.1-110	Seeger ring 110		1
10	NFG-RCA-110X12	Oil Cup Seal 110x12		1
11	1GN180.00.146	Small Bevel Gear 36-40		1



Machine: IGN

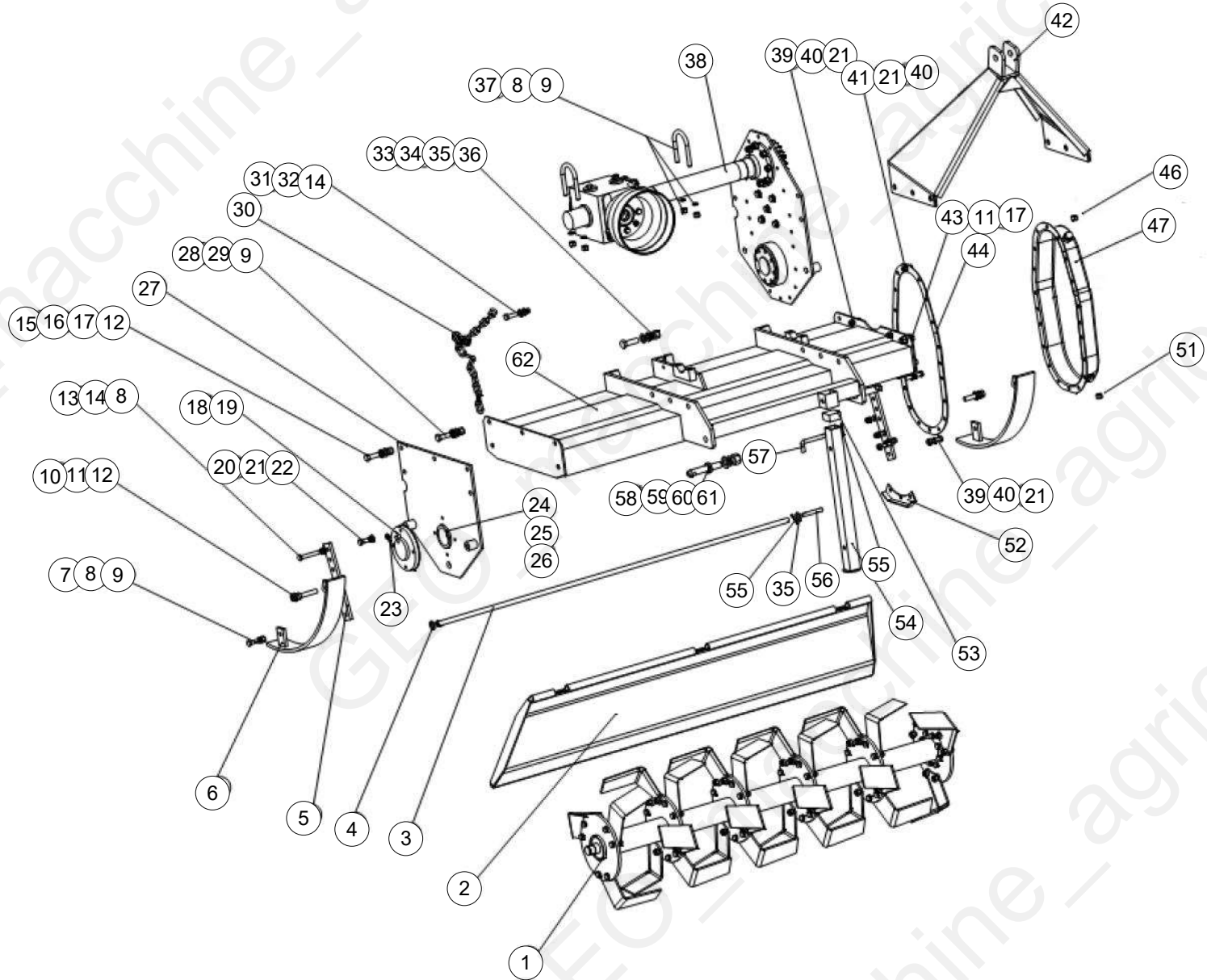
Assembly: IGN\_parte 4



Pos	Code	Description	NOTE	Q.
1	1G-150.00.025	Recinzione sinistra		1
2	1G-150.00.026	Recinzione giusta		1
3	GB5782-M14X70	Bolt M14x70		2
4	GB5782-M14X80	Bulloni a testa esagonale		2
5	GB97.1-14	Plain washer 14		6
6	1G-150.00.154	Distanziatore per piastra laterale di protezione grande		4
7	GB93-14	spring washer 14		4
8	DIN985-M14	Locking Nut M14		2
9	GB5783-M12X45	Bolt M12X45		2
10	GB93-12	spring washer 12		2
11	DIN985-M12	nut M12		2

## IGN 2013 2016



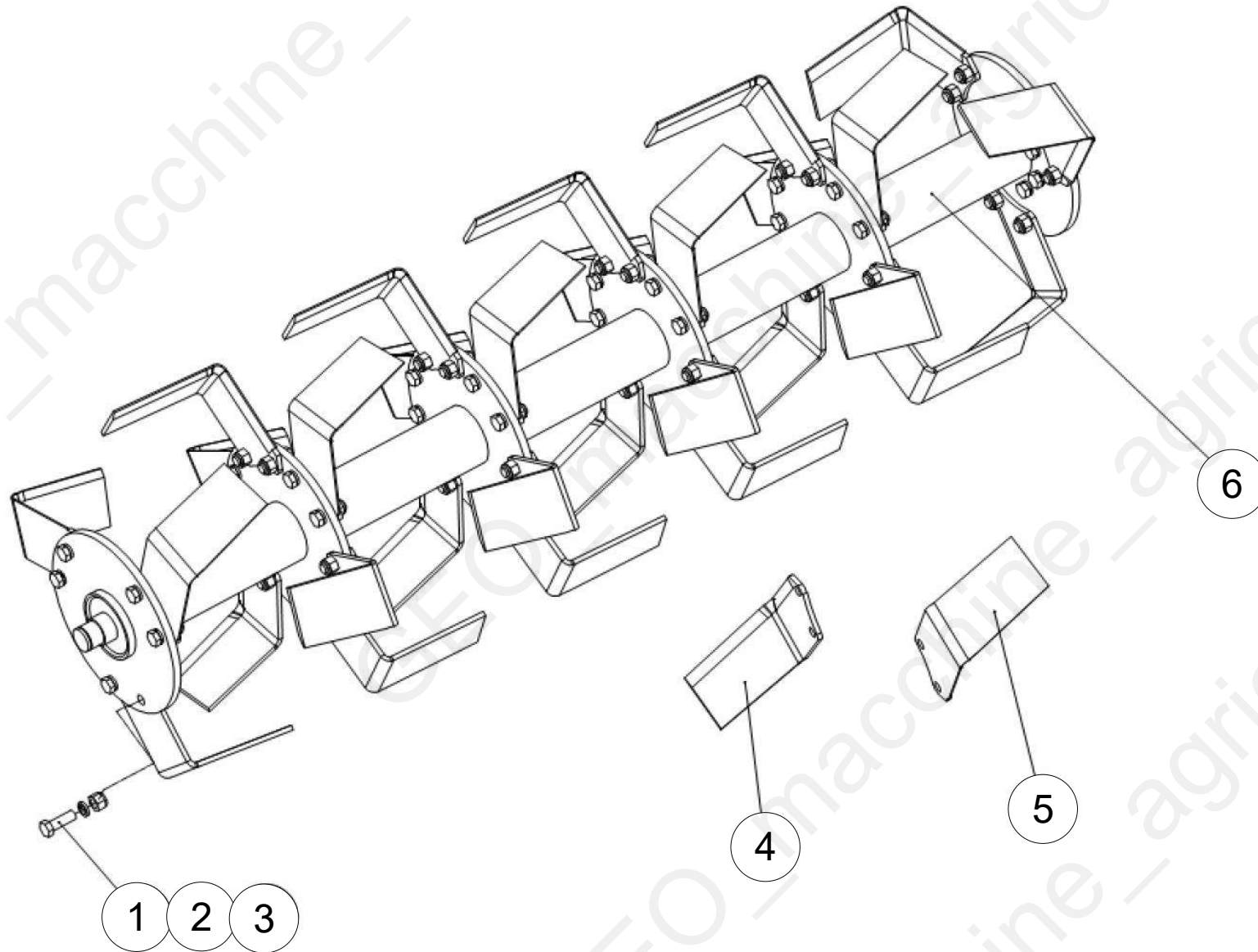




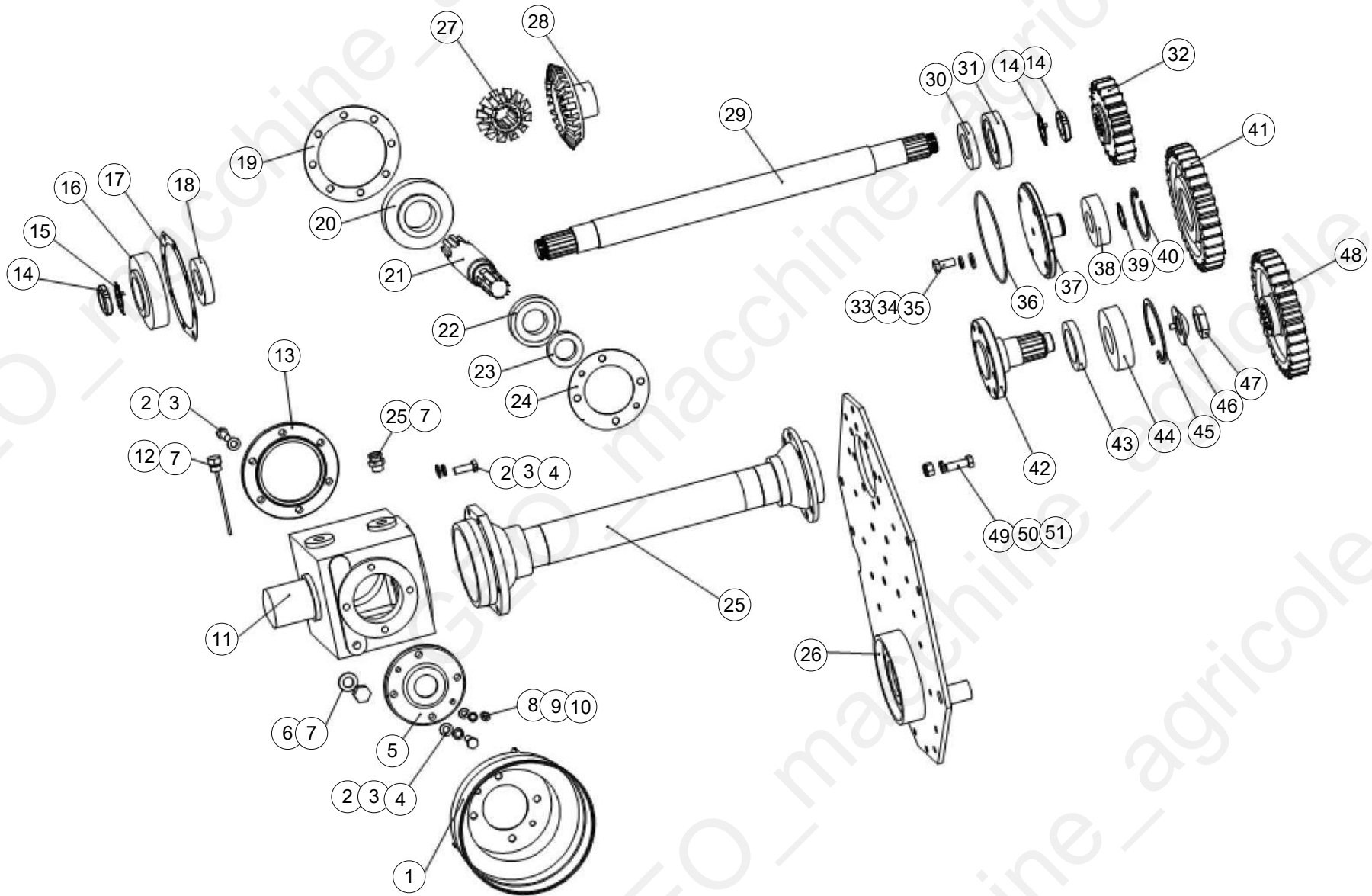
Pos	Code	Description	NOTE	Q.
1	1GN105.01.001	Blade shaft assembly 105 with blades		1
1	1GN125.01.001	Blade shaft assembly 125 with blades		1
1	1GN150.01.001	Blade shaft assembly 150 with blades		1
1	1GN180.01.001	Blade shaft assembly 180 with blades		1
2	1GN105.00.019	Trailing bar weldment 105		1
2	1GN125.00.019	Trailing bar weldment 125		1
2	1GN150.00.019	Trailing bar weldment 150		1
2	1GN180.00.019	Trailing bar weldment 180		1
3	1GN105.00.029	Linkage bar 105		1
3	1GN125.00.029	Linkage bar 125		1
3	1GN150.00.029	Linkage bar 150		1
3	1GN180.00.029	Linkage bar 180		1
4	GB97.1/16	Plain washer 16		2
5	1GN135.00.109	Limiting depth linkage plate		2
6	1GN135.00.011	Limiting depth board weldment		2
7	GB5783-86/M12x30	Bolt M12x30		2
8	GB93-12	spring washer 12		2
9	GB889.1-M12	Locking nut M12		2
10	GB5783-86/M14X65	Bolt M14x65		2
11	GB93-14	spring washer 14		11
12	GB97.1/14	Plain washer 14		20
13	GB5783-86/M12x70	Bolt M12X70		2
14	GB97.1/12	Plain washer 12		7
15	GB5783-86/M14X40	Bolt M14X40		5
16	GB97.1/14	Plain washer 14		20

Pos	Code	Description	NOTE	Q.
17	GB889.1-M14	Locking nut M14		7
18	1GN135.00.101	Bearing cover- right		1
19	1GN135.00.102	Gasket		1
20	GB5783-86/M10X25	Bolt M10x25		4
21	GB93-10	spring washer 10		24
22	GB97.1/10	Plain washer 10		4
23	GB1152-89/M8X1	Grease nipple M8		1
24	GB894.1-86-30	Circlip 30		1
25	GB276-206	Bearing 206		1
26	HG4-692-67-35X62X12	Oil seal PD35X62X12		1
27	1GN135.00.012	Support plate- right		1
28	GB5783-86/M12x30	Bolt M12x30		1
29	GB97.1/12	Plain washer 12		2
30	1GN135.00.018	Chain weldment		1
31	GB5783-86/M12x40	Bolt M12x40		1
32	GB6170-86-M12	Nut M12		1
33	GB5783-86/M16x50	Bolt M16X50		6
34	GB93-16	spring washer 16		6
35	GB97.1/16	Plain washer 16		6
36	GB889.1-M16	Locking nut M16		6
37	1GN135.00.104	U-bolt		2
39	GB5783-86/M10x35	Bolt M10X35		7
40	GB889.1-M10	Locking nut M10		17
41	GB5783-86/M10x30	Bolt M10X30		17
42	1G135.00.014	Head stock		1

Pos	Code	Description	NOTE	Q.
43	GB5783-86/M14X35	Bolt M14x35		4
44	1GN135.00.105	Rubber gasket		1
46	ZBT32001.3-Z20	cap plug M20x1.5		1
47	1GN135.00.027	Cover		1
51	ZBT32001.3-ZG3/8-19"	ZG3/8-19 cap plug		1
52	1GN135.00.108	Skid plate		1
53	1G135.00.106	Cap for support foot		1
54	1G-150.00.018	Supporting Leg		1
55	GB91-4X32	Uncork pin 4X32		2
56	1GN135.00.165	Pin shaft		1
57	1GN135.00.107	Curving pin		1
58	1GN135.00.103	Down swing pin		2
59	GB97.1/20	Plain washer 20		2
60	GB93-20	Lock washer 20		2
61	GB889.1-M20	Locking nut M20		2
62	1GN105.00.013	Cover weldment 105		1
62	1GN125.00.013	Cover weldment 125		1
62	1GN150.00.013	Cover weldment 150		1
62	1GN180.00.013	Cover weldment 180		1



Pos	Code	Description	NOTE	Q.
1	GB5783-86/M12x35	Bolt M12×35		60
2	GB93-12	spring washer 12		68
3	GB889.1-M12	Locking nut M12		60
4	1G-150.00.102	Right blade		15
5	1G-150.00.103	Left blade		15
6	1GN105.01.011	Blade shaft weldment 105 without blades		1
6	1GN125.01.011	Blade shaft weldment 125 (127cm) without blades		1
6	1GN150.01.011	Blade shaft weldment 150 (152cm) without blades		1
6	1GN180.01.011	Blade shaft weldment 180 without blades		1



Pos	Code	Description	NOTE	Q.
1	1GN135.02.117	Cover		1
2	GB5783-86/M10x30	Bolt M10X30		10
3	GB93-10	spring washer 10		10
4	GB97.1/10	Plain washer 10		10
5	1G135N.02.116	Front cover- I shaft		1
6	GB5786-86/M16X1.5X20	Bolt M16X1.5X20		1
7	GB858-16	Washer plain 16		3
8	GB70.1	Screw M8X10		2
9	GB93-8	Spring washer 8		2
10	GB97.1/8	Plain washer 8		2
11	1GN135.02.103	Gear case		1
12	1GN135.02.014	Oil indicator		1
13	1GN135.02.104	Rear cover- I shaft		1
14	GB812-M30X1.5	Lock Nut M30x1.5		2
15	GB858	washer 30		2
16	GB297-30311	Bearing 30311		1
17	1GN135.02.107	Seal gasket- right		1
18	HG4-692-67-42X75X12	Oil seal PD42X75X12		1
19	1GN135.02.106	Seal gasket- left		1
20	GB297-30310	Bearing 30310 cone		1
21	1GN125.02.001	I shaft 125		1
21	1GN150.02.001	I shaft 150		1
21	1GN180.02.001	I shaft 180		1
22	GB297-30208	Bearing 30208		1
23	HG4-692-67-35X56X12	Oil seal PD35X56X12		1

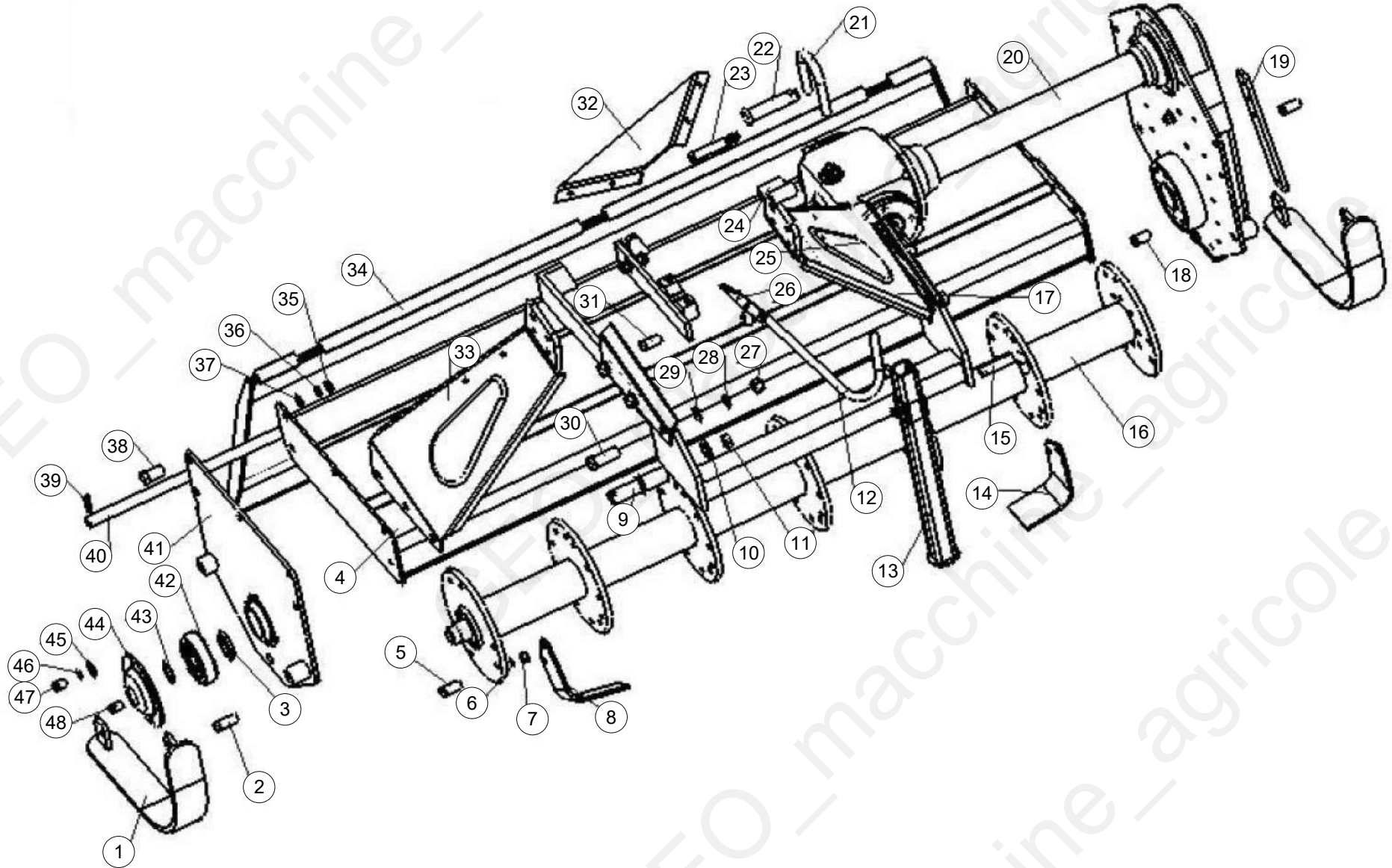
Pos	Code	Description	NOTE	Q.
24	1GN135.02.102	Seal gasket		1
25	1GN125.02.011	Beam weldment 125		1
25	1GN150.02.011	Beam weldment 150		1
25	1GN180.02.011	Beam weldment 180		1
26	1GN135.02.012	Support plate		1
27	1GN135.02.105	Small bevel gear		1
28	1GN135.02.108	Big bevel gear		1
29	1G125.02.111	II shaft 125		1
29	1G150.02.111	II shaft 150		1
29	1G180.02.111	II shaft 180		1
30	HG4-692-67-40X70X12	Oil seal PD40X70X12		1
31	GB297-30308	Bearing 30308		1
32	1GN135.02.110	Upper gear		1
33	GB5783-86/M14X25	Bolt M14X25		5
34	GB97.1/14	Plain washer 14		5
35	GB93-14	spring washer 14		5
36	GB3452.1-145x3.55	O- ring 145x3.55		1
37	1GN135.02.112	Idle shaft		1
38	GB276-6307	Bearing 6307		1
39	GB894.1	External retaining ring 35		1
40	GB893.1-80	Seeger ring 80		1
41	1GN135.02.113	Idle gear		1
42	1GN135.02.115	III shaft		1
43	HG4-692-67-55X80X12	Oil seal PD55X80X12		1
44	GB276-309	Bearing 309		1



Pos	Code	Description	NOTE	Q.
45	GB893.1-100	Circlip 100		1
46	GB856	Gasket		1
47	GB812-M30X1.5	Lock Nut M30x1.5		1
48	1GN135.02.001	Lower gear		1
49	GB5783-86/M12x30	Bolt M12x30		8
50	GB5783-86/M12	Lock washer 12		8
51	GB889.1-M12	Locking nut M12		8

## IGN 2009 2012

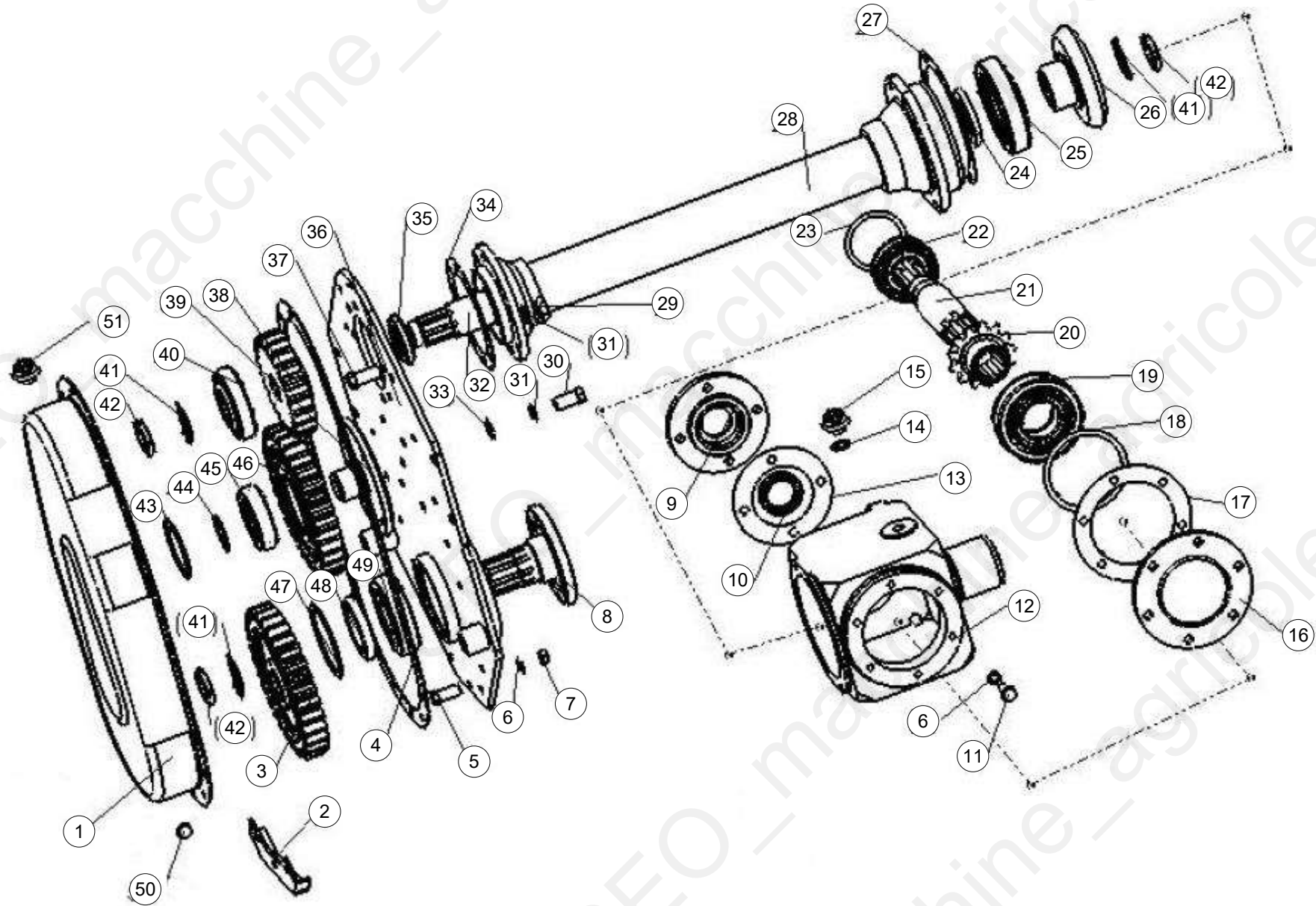




Pos	Code	Description	NOTE	Q.
1	1G-150.00.013	Skid		2
2	GB5783-86/M12x40	Bolt M12x40		2
3	HG4-692-67-35X62X12	Oil seal PD35X62X12		1
4	1G-105.00.015	Main Deck 105		1
4	1G-125.00.015	Main Deck 125		1
4	1G-150.00.015	Main Deck 150		1
4	1G-180.00.015	Main Deck 180		1
5	GB5783-86/M12x35	Bolt M12x35		72
6	GB97-83-12	Carrier ring 12		88
7	GB6170-86-M12	Nut M12		80
8	1G-150.00.102	Right blade		21
9	SL-140A.00.109	Bolt		2
10	GB97-83-24	Carrier ring 24		2
11	GB6170-86-M24	Nut M24		2
12	MZ105.037	Hook		1
13	1G-150.00.018	Supporting Leg		1
14	1G-150.00.103	Left blade		21
15	ZL-25.103	Right-angle pin		1
16	1G-105.00.011	Shaft for blade 105 without blades		1
16	1G-105.00.011-2	Complete Blade Axle 105 with blades		1
16	1G-125.00.011	Shaft for blade 125 without blades		1
16	1G-125.00.011-2	Complete Blade Axle 125 (123cm) with blades		1
16	1G-150.00.011	Shaft for blade 150 without blades		1
16	1G-150.00.011-2	Complete Blade Axle 150 (148cm) with blades		1
16	1G-180.00.011	Shaft for blade 180 without blades		1

Pos	Code	Description	NOTE	Q.
16	1G-180.00.011-2	Complete Blade Axle 180 with blades		1
17	CBW-00.112	Oil plug		1
18	GB5783-86/M12x30	Bolt M12x30		8
19	1G-150.00.101	Supporting SKID		2
21	1G-150.00.108	U bolt		2
22	EF100.00.019	Support		1
23	GB5782-86/M12x100	Bolt M12X100		2
24	MZ105.130	Sleeve Spacer		2
25	1G-150.00.017	Hanging right side panel		1
26	1G-150.00.142	Hooker plate		1
27	GB6170-86-M16	Nut M16		6
28	GB93-87-16c	Carrier ring 16		6
29	GB97.1-85-16c	Carrier ring 16		14
30	GB5782-86/M16x55	Bolt M16X55		6
31	GB5783-86/M10x30	Bolt M10X30		6
32	1G-150.00.106	Three point Link		1
33	1G-150.00.016	Hanging left side panel		1
34	1G-105.00.012	Rear protecting plate 105		1
34	1G-125.00.012	Rear protecting plate 125		1
34	1G-150.00.012	Rear protecting plate 150		1
34	1G-180.00.012	Rear protecting plate 180		1
35	GB6170-86-M14	Nut M14		10
36	GB93-87-14c	Carrier ring 14		12
37	GB97.1-85-14c	Carrier ring 14		12
38	GB5783-86/M14X40	Bolt M14X40		8

Pos	Code	Description	NOTE	Q.
39	GB91-86-2.5X30	Forelock 2.5X30		3
40	1G-150.00.105	Rear protecting plate shaft 150		1
41	1G-150.00.014	Right side panel		1
42	GB276-94-306	Bearing 306		1
43	GB894.1-86-30	Circlip 30		1
44	1G-150.00.104	bearing cover plate		1
45	GB97.1-85-10c	Carrier ring 10		10
46	GB93-87-10c	Carrier ring 10		10
47	GB5783-86/M10x20	Bolt M10x20		4
48	GB1152-79	Grease nipple M8X1		1



Pos	Code	Description	NOTE	Q.
1	1G-150.01.012	Cover weldment of gear box		1
2	1G-150.01.101	Guard plate for cover of gear box		1
3	1G150.04-01	Low Gear		1
4	1G-150.01.102	Lignum washer for gear box		1
5	GB5783-86/M10x30	Bolt M10X30		32
6	GB93-87-10c	Carrier ring 10		38
7	GB6170-86-M10	Nut M10		20
8	1G-150.01.104	Connection Blade Axle		1
9	1G-150.01.116	cover of input shaft		1
10	HG4-692-67-35X56X12	Oil seal PD35X56X12		1
11	GB5783-86/M10X25	Bolt M10x25		6
12	1G-150.01.1118	Gear box case		1
13	1G-150.01.115	Paper washer		1
14	CBW-00.103	Plain washer		1
15	CBW-00.011	Oil Plug		1
16	1G-150.01.110	Rear-cover of gear box		1
17	1G-150.01.111	Back end gasket		1
18	1G-150.01.129	Ring riser		0
19	GB297-84-7310E	Bearing 7310E		1
20	1G150.02-04	Small anger gear		1
21	1G-150.01.117	Transmission shaft		1
22	GB297-84-7308E	Bearing 7308E		1
23	1G-150.01.128	Ring riser		0
24	HG4-692-67-42X75X12	Oil seal PD42X75X12		1
25	GB297-84-7311E	Bearing 7311E		1



Pos	Code	Description	NOTE	Q.
26	1G150.04-08	Large angle gear		1
27	1G-150.01.114	Paper washer		1
28	1G-105.01.013	Spigot for transmission shaft 105		1
28	1G-125.01.013	Spigot for transmission shaft 125		1
28	1G-150.01.013	Spigot for transmission shaft 150		1
28	1G-180.01.013	Spigot for transmission shaft 180		1
29	GB6170-86-M12	Nut M12		8
30	GB5783-86/M12x30	Bolt M12x30		5
31	GB93-87-12c	Carrier ring 12		13
32	1G-180.01.109	Transmission shaft 180		1
33	GB97.1-85-12c	Carrier ring 12		5
34	1G-150.01.108	paper washer		1
35	HG4-692-67-40X70X12	Oil seal PD40X70X12		1
36	1G-150.01.011	Left side panel weldment		1
37	GB5783-86/M12x35	Bolt M12x35		8
38	1G150.04-03	Up Gear		1
39	1G-150.01.106	Mid-gear shaft		1
40	GB297-84-7308E	Bearing 7308E		1
41	GB856-88	Outer lockwasher		3
42	GB810-88	Clamp nut M30X1.5		3
43	GB893.1-86/80	Circlip 80		1
44	GB894.1-86-35	Circlip 35		1
45	GB276-94-307	Bearing 307		1
46	1G150.04-02	Mid-gear		1
47	GB893.1-86/100	Circlip 100		1

Machine: IGN 2009 2012

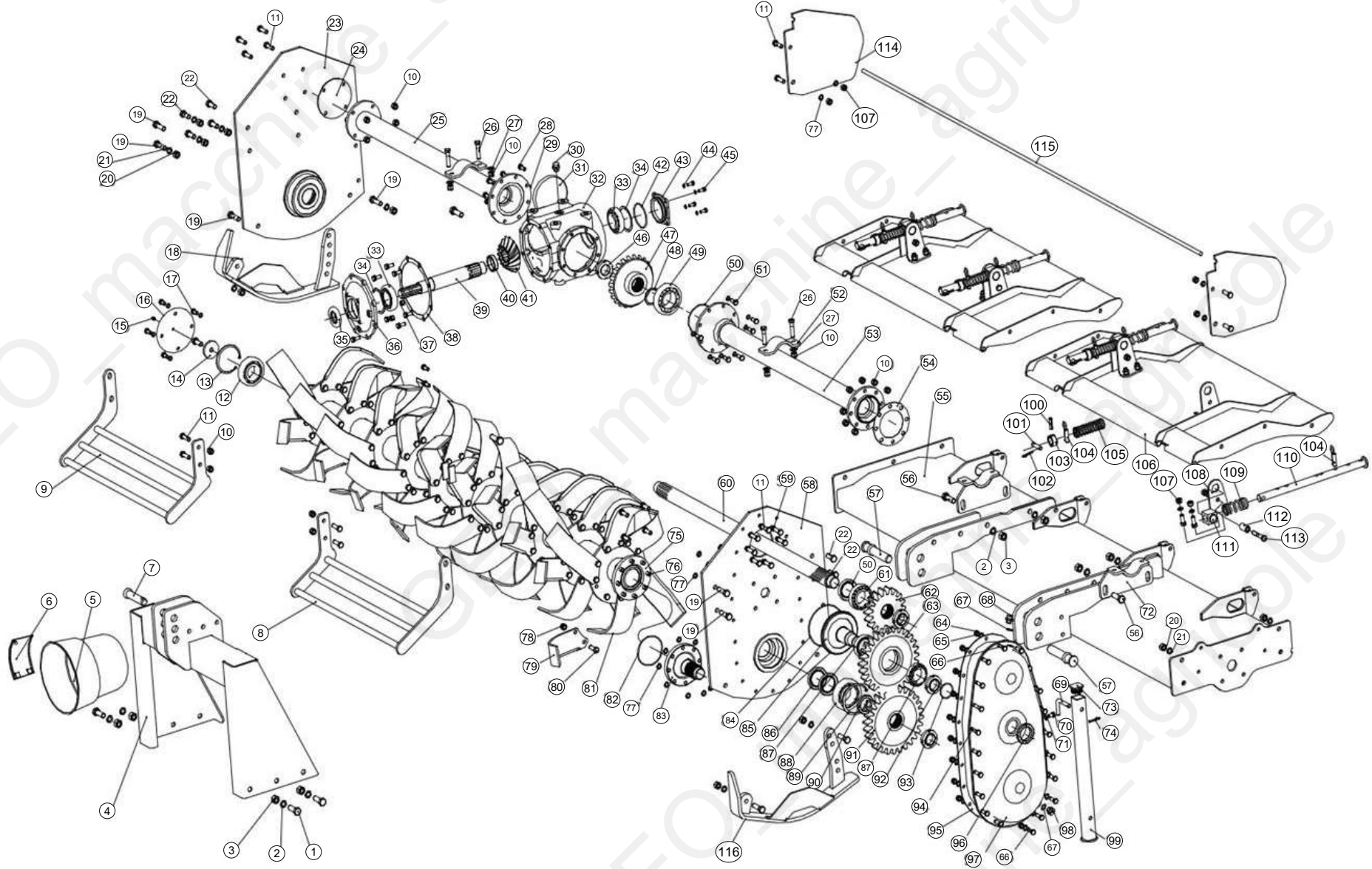
Assembly: IGNoldold\_parte 2



Pos	Code	Description	NOTE	Q.
48	HG4-692-67-55X80X12	Oil seal PD55X80X12		1
49	GB276-94-309	Bearing 309		1
50	JB1000-BM16×1.5	PLUG M16x1.5		1
51	ZBT32001.3-Z16	cap plug M16x1.5		1

## IGN 210





Pos	Code	Description	NOTE	Q.
1	GB5783-M16X45	Bolt M16x45		4
2	GB93-16	spring washer 16		8
3	GB6170-M16	Nut 16		8
4	1ZD-230.00.025	Suspension frame		1
5	WX-HL-13-001	PTO protect hood		1
6	WX-HL-13-001-CG	Shield side cove		1
7	1G-180-00-019	Upper suspension pin		1
8	1ZD-230.00.018	left-side shield bar		1
9	1ZD-230.00.019	right-side shield bar		1
10	DIN985-M12	nut M12		20
11	GB5783-M12X40	bolt M12x40		20
12	GB276-6309	Bearing 6309		1
13	GB893.1-100	Circlip 100		1
14	1ZD-230-00-138	right side space ring		1
15	GB1152-M8X1	Grease Nipple M8x1		1
16	1G-150.00.104	bearing cover plate		1
17	GB5783-M10X20	Bolt M10x20		4
18	1GNA-230B-00-029	right sliding plate		1
19	GB5783-M14X50	Bolt M14X50		20
20	GB6170-M14	Nut 14		18
21	GB93-14	spring washer 14		18
22	GB5783-M14X35	Bolt M14X35		7
23	1GNA-230B-00-014	right-side plate		1
24	1ZD-230-00-137A	gap connecting plate		1
25	1GNA-200B-00-016	(1GNA-200B)axle tube		1

Pos	Code	Description	NOTE	Q.
26	GB5783-M12X55	Bolt M12X55		4
27	GB97.1-12	plain washer 12		124
28	GB5783-M10X25	Bolt M10X25		24
29	GB93-10	spring washer 10		28
30	CBW-00-011B	breath plug 3/8		1
31	NFG-RCA-140X15	140x15 blanking cap		1
32	1GNA-230B-00-101	box		1
33	GB297-30308	Bearing 30308		2
34	TZDP-90-76-1	90x76x1 adjusting shim		2
35	CFW-40X72X10	Oil Seal 40X70X12		1
36	1GNA-230B-00-104	tank cap		1
37	ZBT32001.3-ZG3/8-19"	ZG3/8-19 cap plug		2
38	1GNA-230B-00-106	gear box cover paper washer		1
39	1GNA-230B-00-117C	output shaft		1
40	1GNA-230B-00-206	space bushing		1
41	1GNA-230B-00-141C	small cone gears		1
42	GB3452.1-G-80X3.55	O80X3.55 O sealing		1
43	1GNA-230B-00-200	gear box rear end cover		1
44	GB93-8	Spring washer 8		4
45	GB5783-M8X20	bolt M8X20		4
46	1GNA-230B-00-195	inner nut		2
47	1GNA-230B-00-146C-1	big cone gear		1
48	TZDP-62-50-1	62x50x1 adjusting shim		1
49	GB297-30310	Bearing 30310 cone		1
50	GB3452.1-G-132X3.55	O132X3.55 O sealing		1

Pos	Code	Description	NOTE	Q.
51	GB5783-M10X25	Bolt M10X25		8
52	1ZD-230-00-185	top board		2
53	1GNA-200B-00-013	(1GNA-200B)drivepipe		1
54	1G-150.01.108	paper washer		1
55	1GNA-200B-00-015	(1GNA-200B) hood		1
56	GB5783-M16X50	Bolt M16x50		4
57	1G-180.00.020	below suspension pin		2
58	1GNA-230B-00-011	left side plate		1
59	TDQ-12	copper washer 12		8
60	1GNA-200B-00-109	(1GNA-200B)drive shaft		1
61	GB297-32210	32210 cone bearing		1
62	1GNA-230B-00-147	pinion		1
63	1GNA-230B-00-148-1	intermediate gear		1
64	DIN985-M10	Locking nut M10		20
65	GB97.1-10	PLAIN WASHER 10		20
66	GB5783-M10X30	Bolt M10X30		16
67	JB982-16	Combined oil seal 16		2
68	CBW-00-011	breath plug		1
69	EF100.00.111A	square angle pin		1
70	GB5783-M10X16	M10X16 bolt		1
71	JB982-10	10 combination washer		1
72	1GNA-230B-00-027	mounting plate		2
73	MFP120.00.101	Insert Plastic 40×40×2.6-4 MM		1
74	1G-150-01-142	R Pin		1
75	1ZD-200.00.011	(1GNA-200B)blade shaft		1

Pos	Code	Description	NOTE	Q.
76	GB5783-M12X30	Bolt M12X30		12
77	GB93-12	spring washer 12		22
78	DIN985-M12X1.25	Locking Nut M12x1.5		120
79	1GNA-230B-00-103	(1GNA-200B)left blade		27
80	GB5786-M12X1.5X35	M12X1.5X35 bolt		124
81	1GNA-230B-00-102	(1GNA-200B)right blade		27
82	GB3452.1-G-103X3.55	O103X3.55 O sealing		1
83	1ZD-230-01-104-1	III shaft		1
84	GB3452.1-G-145X3.55	O145X3.55 O sealing		1
85	1ZD-230-01-106-1	intermediate shaft		1
86	CFW-55X80X8	oil seal 55X80X8		3
87	GB297-32010	32010 cone bearing		2
88	GB276-6310	6310 ball bearing		1
89	GB893.1-110	Seeger ring 110		1
90	1ZD-230-00-139	III space ring		1
91	1GNA-230B-00-149	below gear		1
92	1GNA-230B-00-195	inner nut		2
93	GB3452.1-G-34.5X2.65	O34.5X2.65 O sealing		1
94	GB5783-M10X40	Bolt M10X40		4
95	1GNA-230B-00-105	rubber washer		1
96	FSLU-M35X1.5	M35X1.5 round nut		1
97	1GNA-230B-00-012-1	gear box cover		1
98	CBW-00.112	Oil plug		1
99	1GNA-230B-00-017	arm-brace		1
100	GB879.1-10X40	10x40 elastic cylindrical pin		4



Machine: IGN 210

Assembly: IGN 210\_parte 0



Pos	Code	Description	NOTE	Q.
101	GB882-B-12X50	B12X50 pin shaft		4
102	1G-150-01-142	R Pin		4
103	1ZD-230-00-159-3	bushing		4
104	1ZD-230-00-032-3	12mm bolt		8
105	1ZD-230-00-168-3	spring		4
106	1ZD-200-00-013-3	(1GNA-200B)back shield		2
107	GB6170-M12	Nut 12		16
108	1ZD-230-00-160-3	ear plate		4
109	1ZD-230-00-169-3	spring washer		4
110	1ZD-230-00-026-3	back shield		4
111	1ZD-230-00-167-3	spinning shaft		4
112	1ZD-230-00-161-3	spacer bush		4
113	GB5782-M12X70	Bolt M12x70		4
114	1ZD-230-00-162	rear plate		2
115	1ZD-200.00.190	(1GNA-200B) bar		1
116	1GNA-230B-00-028	left sliding plate		1