

## IGNH



GEO Italy S.R.L.

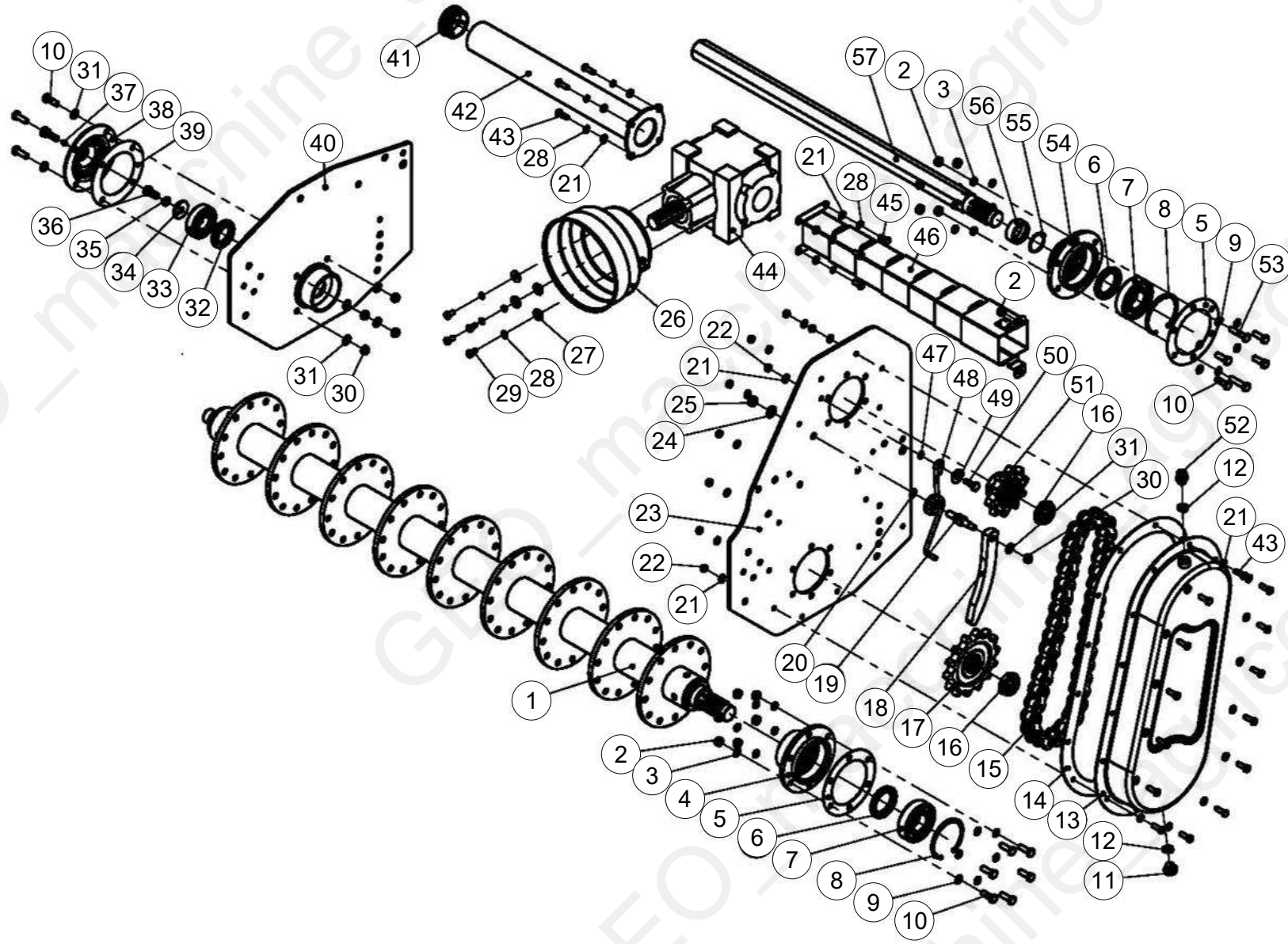
# Table of Contents

Tavola	Page
IGNH	3
IGNH 2012 2018	16

## IGNH



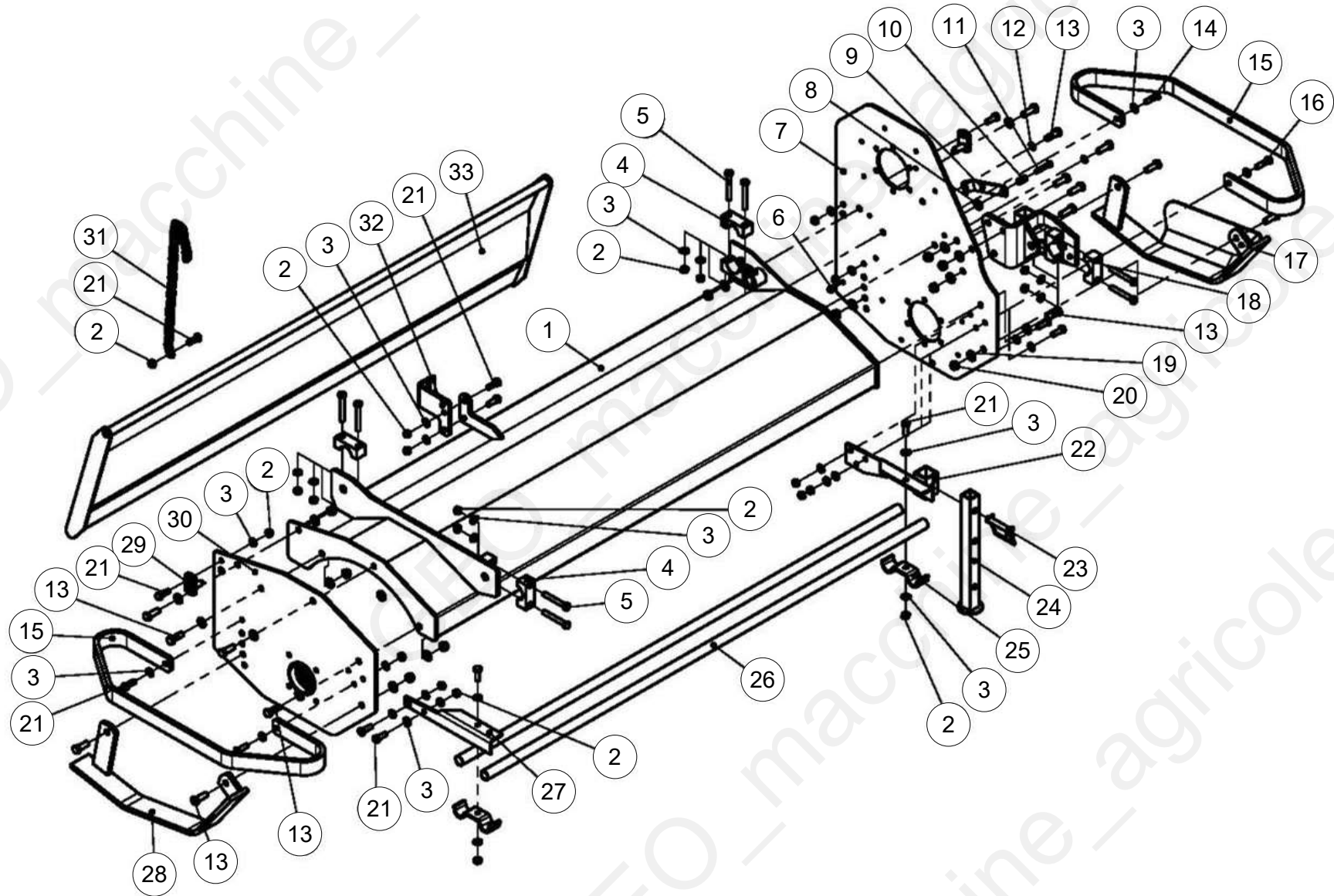
GEO Italy S.R.L.



Pos	Code	Description	NOTE	Q.
1	RT125.026_1	blade shaft(125) without Blades		1
1	RT140.026_1	blade shaft(140) without Blades		1
1	RT150.026_1	blade shaft(150) without Blades		1
1	RT160.026_1	blade shaft(160) without Blades		1
2	GB6170-M10	Nut 10		14
3	GB93-10	spring washer 10		12
4	RT150.127	Blade Rotor Bearing Seat		1
5	RT150.123	Left Gasket bearing pedestal paper washer		2
6	GB13871-FB-50X72X10	FB oil seal		2
7	GB276-6308	Bearing 6308		2
8	GB893.1-90	Circlip 90		2
9	TDQ-10	Copper washer		12
10	GB5783-M10X30	Bolt M10X30		14
11	CBW-00.112	Oil plug		1
12	JB982-16	Combined oil seal 16		2
13	RT150.019	Chain Cover		1
14	RT150.109-1	Chain box sealing gasket		1
15	GB1243.1-20A-1X38	20A-1X38 roller chain		1
16	FSLU-M35X1.5	M35X1.5 round nut		2
17	RT150.128	Lower Big Chain Gear		1
18	RT150.116	Tensioning press bar		1
19	RT150.172	Tensioning board shaft		1
20	TDQ-12	copper washer 12		1
21	GB97.1-8	Plain washer 8		37
22	DIN985-M8	nut M8		15

Pos	Code	Description	NOTE	Q.
23	RT150.108	Left side plate		1
24	GB97.1-12	plain washer 12		1
25	DIN985-M12	nut M12		1
26	FM120.00.199	PTO cover		1
27	GB96.1-8	Plain washer8		4
28	GB93-8	Spring washer 8		12
29	GB5783-M8X16	bolt M8X16		4
30	DIN985-M10	Locking nut M10		5
31	GB97.1-10	PLAIN WASHER 10		9
32	GB13871-FB-38X62X8	FB oil seal		1
33	GB276-6306	Bearing 6306		1
34	MZ105.115	Retaining Lock washer		1
35	GB93-12	spring washer 12		1
36	GB5783-M12X25	Bolt M12X25		1
37	GB1152-M6	Grease Nipple M6		1
38	1G-150.00.104	bearing cover plate		1
39	1G-150.00.143	paper washer		1
40	RT150.014	right side plate		1
41	ZL-DF654-169	rubber end cap		1
42	RT125.016	protecting cover(125)		1
42	RT150.016	protecting Axle cover(135-160)		1
43	GB5783-M8X25	bolt M8X25		18
44	XH40.146J.04W	Gearbox IGNH		1
45	GB5783-M8X20	bolt M8X20		4
46	RT150.018	protection Transimission cover(125-150)		1

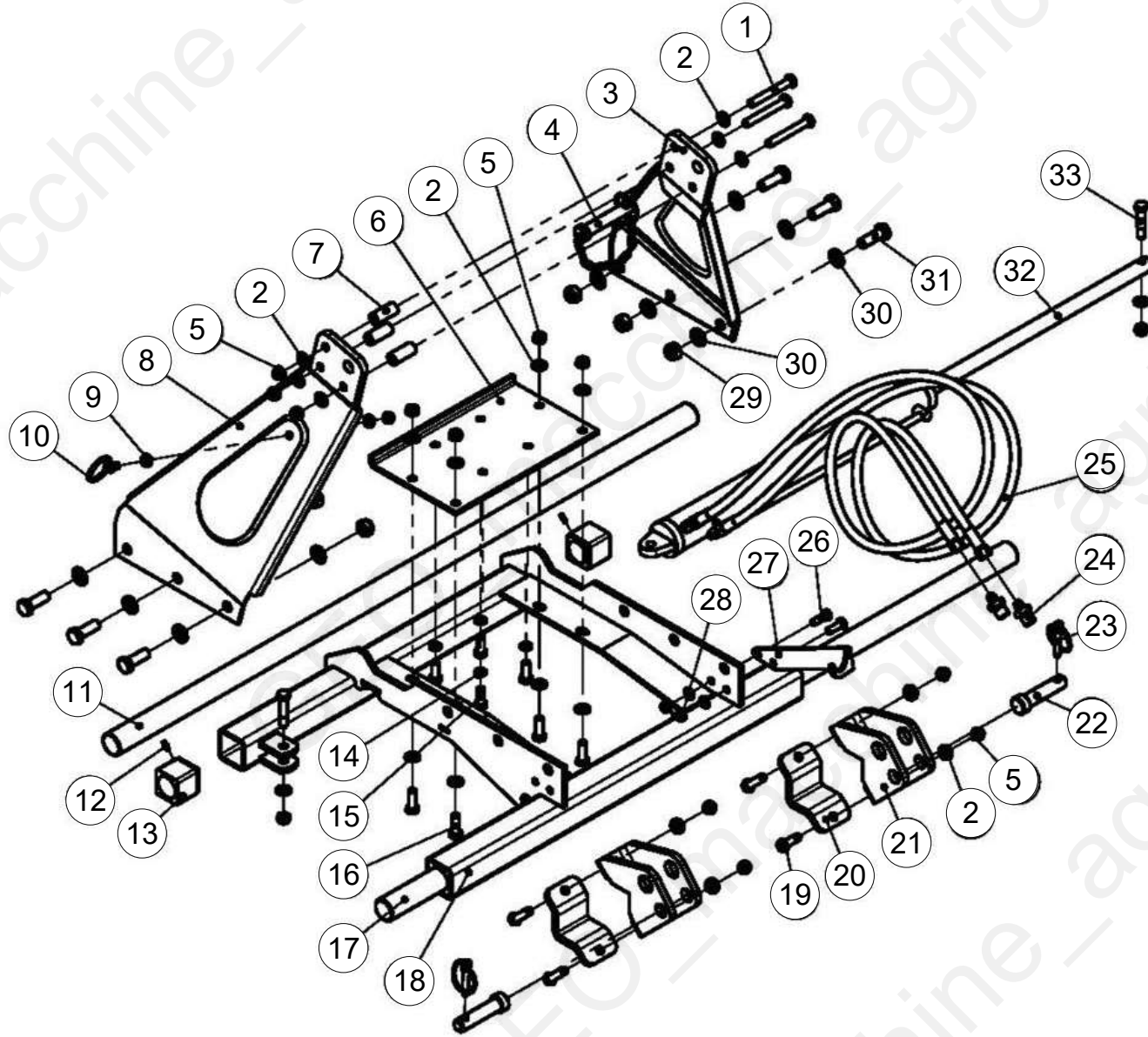
Pos	Code	Description	NOTE	Q.
46	RT160.018	protection cover(160)		1
47	TDQ-8	copper washer		1
48	RT150.117	Tensionor Spring		1
49	GB96.1-10	Plain washer 10		1
50	RT150.173	spring bolt		1
51	RT150.121	Upper Chain Gear		1
52	CBW-00-011	breath plug		1
53	GB5783-M10X45	Bolt M10X45		2
54	RT150.124	Transmission Axle Bearing Seat		1
55	GB3452.1-G-40X2.65	O sealing		1
56	RT150.125	Oil Seal Seat		1
57	RT125.126	transmission shaft(125)		1
57	RT150.126	transmission shaft(135-150)		1
57	RT160.126	transmission shaft(160)		1





Pos	Code	Description	NOTE	Q.
1	RT125.015	splash guard(125)		1
1	RT140.015	splash guard(140)		1
1	RT150.015	splash guard(150)		1
1	RT160.015	splash guard(160)		1
2	DIN985-M10	Locking nut M10		23
3	GB97.1-10	PLAIN WASHER 10		32
4	RT150.112	Guide Rail Retainer		4
5	GB5782-M10X75	Bolt M10x75		8
6	DIN985-M8	nut M8		1
7	RT150.108	Left side plate		1
8	GB96.1-8	Plain washer8		1
9	RT150.102	limit hook		1
10	RT150.101	Spring		1
11	GB5782-M8X45	half thread bolt		1
12	TDQ-12	copper washer 12		2
13	GB5783-M12X35	Bolt M12X35		15
14	GB5783-M10X35	Bolt M10X35		1
15	LXG170.101	Shield rack		2
16	GB5783-M10X40	Bolt M10X40		1
17	RT150.021	Right side skid		1
18	RT150.020	Hydraulic Rod Support Mount		1
19	GB97.1-12	plain washer 12		21
20	DIN985-M12	nut M12		15
21	GB5783-M10X30	Bolt M10X30		13
22	RT150.028	Former guard bar left support plate		1

Pos	Code	Description	NOTE	Q.
23	EF100.00.111A	square angle pin		1
24	RT150.025	supporting leg		1
25	RT150.114	Lower Front Guard Retaining Plate		2
26	RT125.115	former guard bar(125)		2
26	RT140.115	former guard bar(140)		2
26	RT150.115	Former guard bar(150)		2
26	RT160.115	former guard bar(160)		2
27	RT150.129	Former guard bar right support bar		1
28	RT150.013	Left side skid		1
29	RT150.024	pin shaft		2
30	RT150.014	right side plate		1
31	RT150.012	Chain		1
32	RT150.103	Iron chain hanging plate		1
33	RT125.011	rear splash guard(125)		1
33	RT140.011	rear splash guard(140)		1
33	RT150.011	rear splash guard(150)		1
33	RT160.011	rear splash guard(160)		1



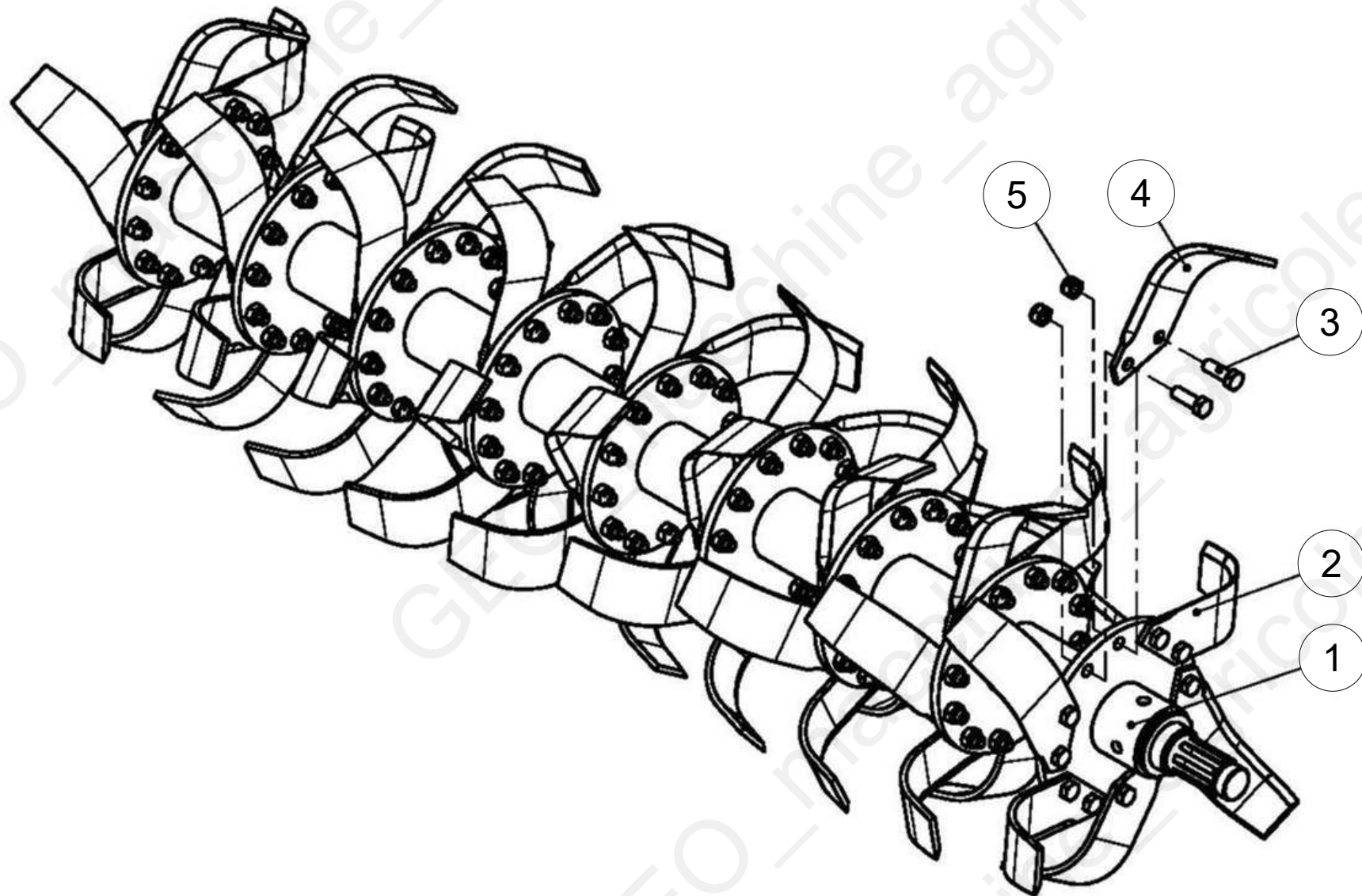
Pos	Code	Description	NOTE	Q.
1	GB5782-M12X90	Bolt M12x90		3
2	GB97.1-12	plain washer 12		20
3	LXG170.029	Left Top Link Support Frame		1
4	EF100.00.019A	Upper pull rod pin		1
5	DIN985-M12	nut M12		13
6	RT150.118	Gearbox Support Frame		1
7	MZ105.130	Sleeve Spacer		3
8	LXG170.028	Right Top Link Support Frame		1
9	GB97.1-10	PLAIN WASHER 10		4
10	RT150.029	Hydraulic Hose Support		1
11	RT125.110	rear guide rail(125)		1
11	RT150.111	Rear Guide Rail(135-160)		1
12	GB879.1-5X16	elastic cylindrical pin		4
13	RT150.104	Nylon Lining bush		4
14	GB93-12	spring washer 12		4
15	GB5783-M12X30	Bolt M12X30		4
16	GB5783-M12X35	Bolt M12X35		4
17	RT125.111	former rail(125)		1
17	RT150.110	Front Guide Rail(135-160)		1
18	RT150.027-1	Hydraulic Rod Support Frame		1
19	GB5782-M12X45	Bolt M12x45		4
20	RT150.107	Lower Link Connection Plate		2
21	RT150.106	Lower Link Connection		2
22	LXG170.106	Lower Link Pin		2
23	200.56.011	Lock pin		2

Machine: IGNH

Assembly: IGNH\_new\_parte 3



Pos	Code	Description	NOTE	Q.
24	RK120.401	adapter		2
25	RT150.017	Hydraulic Hose		2
26	GB5783-M10X30	Bolt M10X30		2
27	1GQR-105.101	PTO hook		1
28	DIN985-M10	Locking nut M10		3
29	DIN985-M16	Locking Nut M16		6
30	GB97.1-16	Plain washer 16		12
31	GB5783-M16x45	Bolt M16x45		6
32	RT150.022	hydraulic cylinder(125-150)		1
32	RT160.022	hydraulic cylinder(160)		1
33	GB27-M12X60	hinged bolt		2



Machine: IGNH

Assembly: IGNH\_new\_parte 4

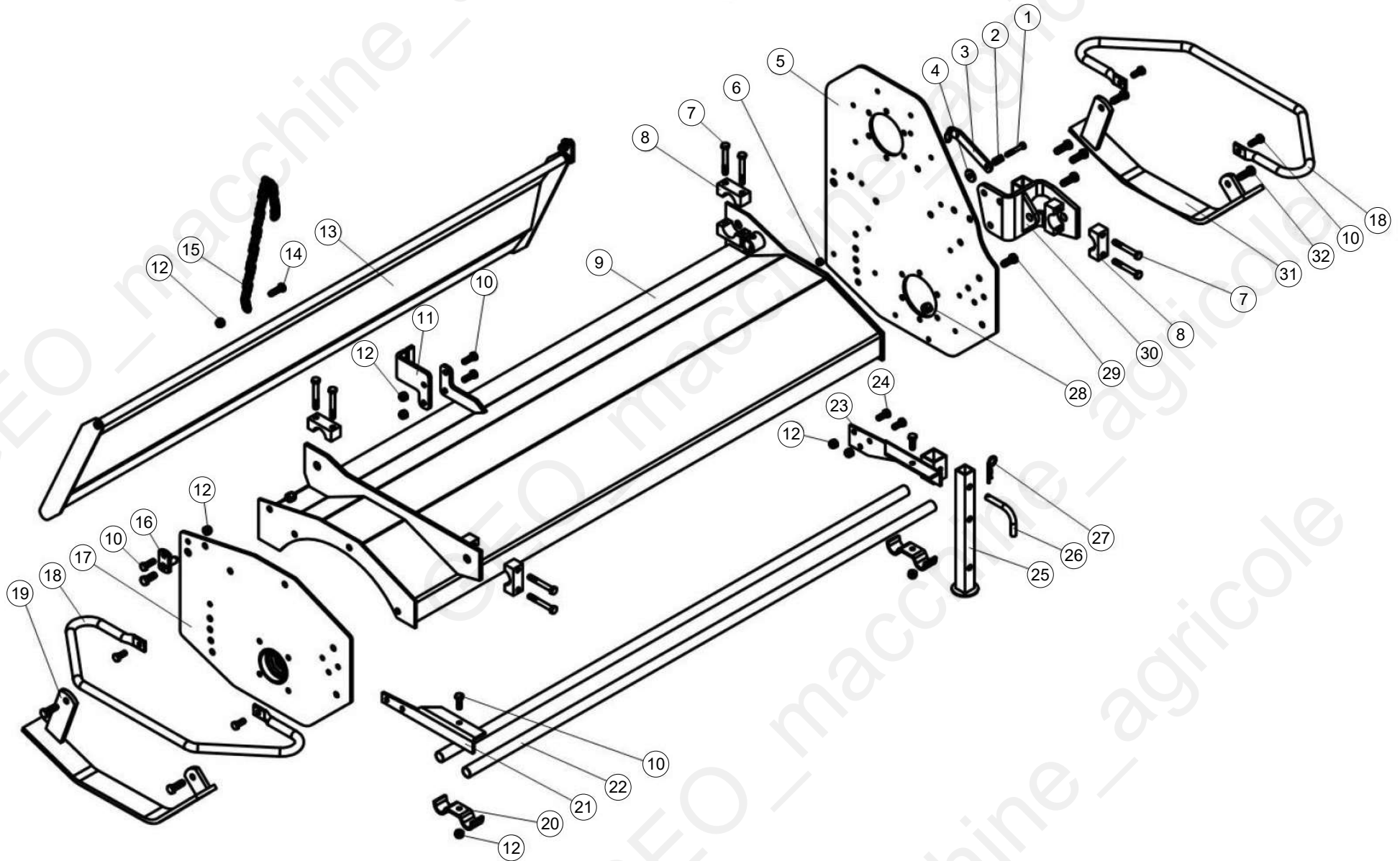


Pos	Code	Description	NOTE	Q.
1	RT125.026	blade shaft(125) with blades		1
1	RT140.026	blade shaft(140) with blades		1
1	RT150.026	blade shaft(150) with blades		1
1	RT160.026	blade shaft(160) with blades		1
2	RT150.120	Left Blade		0
3	GB5785-M12X1.25X35	Bolt M12X1.25X35		0
4	RT150.119	Right Blade		0
5	DIN985-M12X1.25	Locking Nut M12x1.5		0

## IGNH 2012 2018

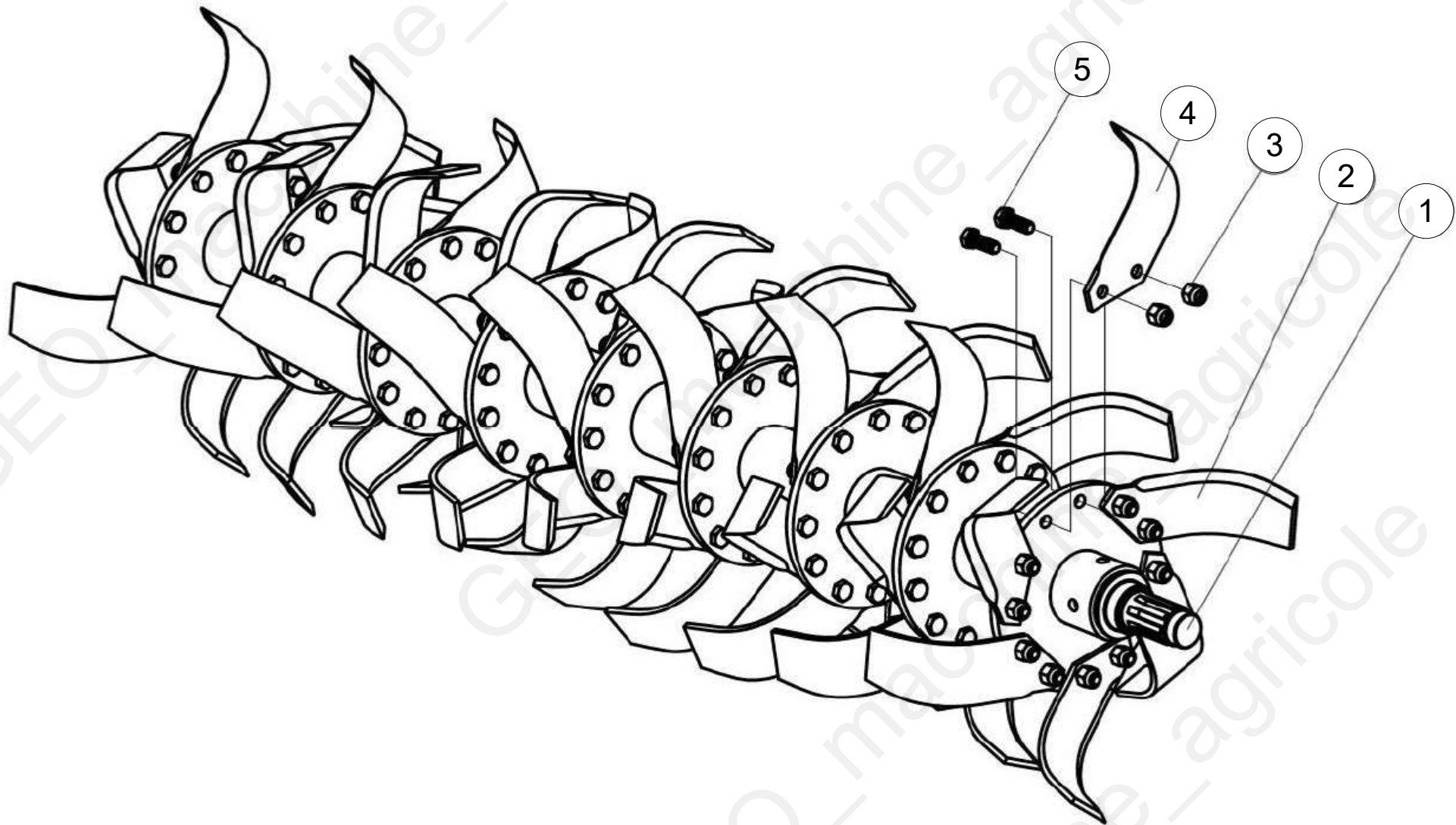




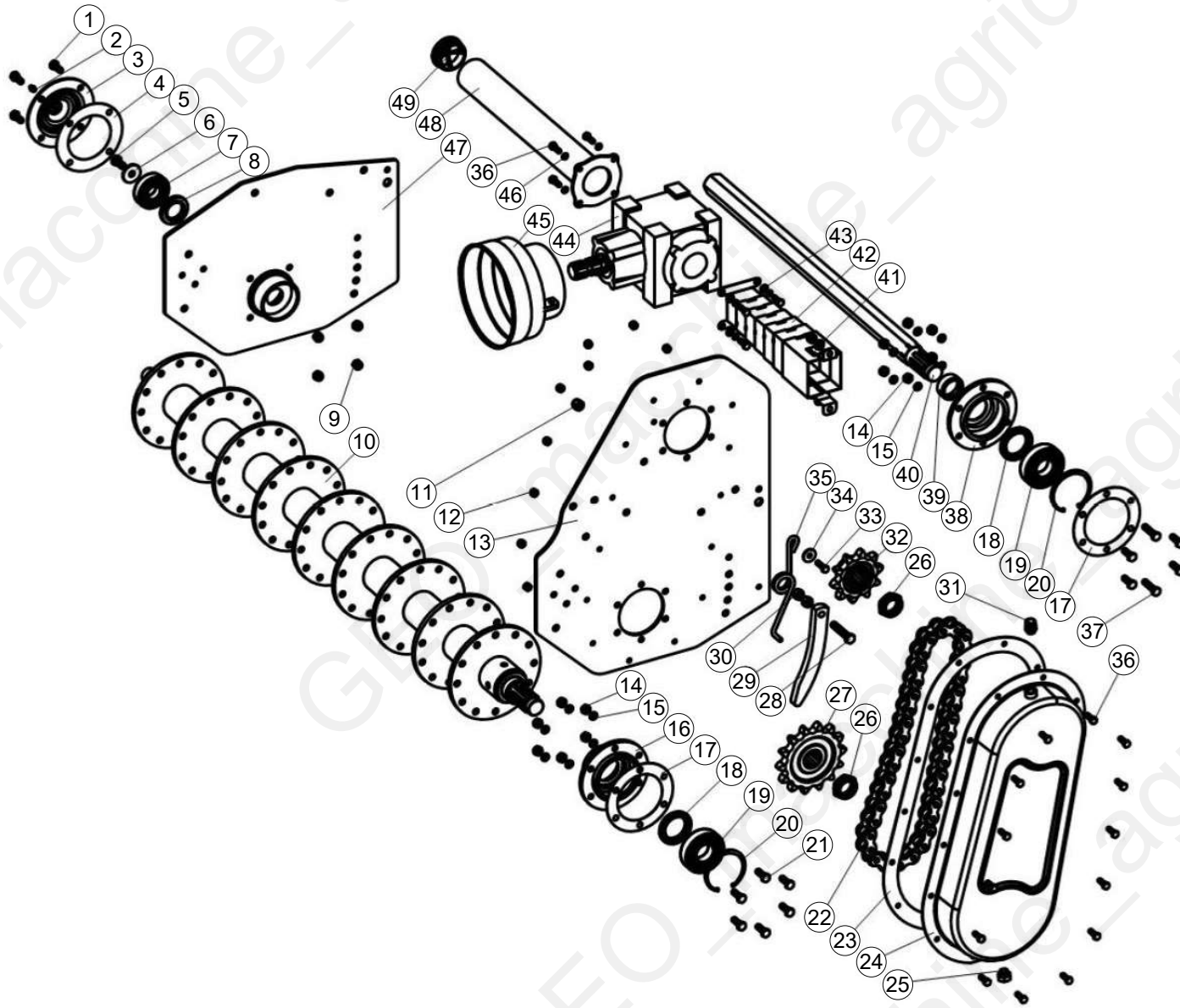


Pos	Code	Description	NOTE	Q.
1	GB5782-86/M8x45	Bolt M8x45		1
2	RT150.101	Spring		1
3	RT150.102	limit hook		1
4	GB.5287-85-8	Flat Washer M8		2
5	RT150.108	Left side plate		1
6	GB6170-86-M8	Nut M8		1
7	GB5782-86/M10x75	Bolt M10x75		8
8	RT150.112	Guide Rail Retainer		4
9	RT125.015	splash guard(125)		1
9	RT140.015	splash guard(140)		1
9	RT150.015	splash guard(150)		1
9	RT160.015	splash guard(160)		1
10	GB5783-86/M10x30	Bolt M10X30		12
11	RT150.103	Iron chain hanging plate		1
12	GB6184-86/M10	Locking nut M10		27
13	RT125.011	rear splash guard(125)		1
13	RT140.011	rear splash guard(140)		1
13	RT150.011	rear splash guard(150)		1
13	RT160.011	rear splash guard(160)		1
14	GB5783-86/M10x35	Bolt M10X35		1
15	RT150.012	Chain		1
16	RT150.024	pin shaft		2
17	RT150.014	right side plate		1
18	RT150.113	Protection Bar		2
19	RT150.013	Left side skid		1

Pos	Code	Description	NOTE	Q.
20	RT150.114	Lower Front Guard Retaining Plate		2
21	RT150.129	Former guard bar right support bar		1
22	RT125.115	former guard bar(125)		1
22	RT140.115	former guard bar(140)		1
22	RT150.115	Former guard bar(150)		2
22	RT160.115	former guard bar(160)		1
23	RT150.028	Former guard bar left support plate		1
24	GB5783-86/M10X25	Bolt M10x25		6
25	RT150.025	supporting leg		1
26	EF100.00.111	square angle pin		1
27	1G-150-01-142	R Pin		1
28	GB6184-86/M12	Locking nut M12		8
29	GB5783-86/M12x30	Bolt M12x30		8
30	RT150.020	Hydraulic Rod Support Mount		1
31	RT150.021	Right side skid		1
32	GB5783-86/M12x35	Bolt M12x35		4



Pos	Code	Description	NOTE	Q.
1	RT125.026	blade shaft(125) with blades		1
1	RT140.026	blade shaft(140) with blades		1
1	RT150.026	blade shaft(150) with blades		1
1	RT160.026	blade shaft(160) with blades		1
2	RT150.120	Left Blade		27
3	GB6184-86/M12	Locking nut M12		54
4	RT150.119	Right Blade		27
5	GB5783-86/M12x35	Bolt M12×35		54



Pos	Code	Description	NOTE	Q.
1	GB5783-86/M12x40	Bolt M12x40		4
2	GB1152-89/M8X1	Grease nipple M8		1
3	1G-150.00.104	bearing cover plate		1
4	1G-150.00.143	paper washer		1
5	GB5783-86/M12x25	Bolt M12x25		1
6	MZ105.115	Retaining Lock washer		1
7	GB/T.276-94-6306	Bearing 6306		1
8	GB.13871-92-38X62X8	Oil Seal FB-38X62X8		1
9	GB6184-86/M10	Locking nut M10		4
10	RT125.026_1	blade shaft(125) without Blades		1
10	RT140.026_1	blade shaft(140) without Blades		1
10	RT150.026_1	blade shaft(150) without Blades		1
10	RT160.026_1	blade shaft(160) without Blades		1
11	GB6184-86/M12	Locking nut M12		1
12	GB6184-86/M8	Locking nut M8		15
13	RT150.108	Left side plate		1
14	GB6170-86-M10	Nut M10		14
15	GB93-87-10	Spring lock washer 10		12
16	RT150.127	Blade Rotor Bearing Seat		1
17	RT150.123	Left Gasket bearing pedestal paper washer		2
18	GB.13871-92-50X72X8	Oil Seal FB-50X72X8		2
19	GB/T.276-94-6308	Bearing 6308		2
20	GB893.1-86/90	Circlip 90		2
21	GB5783-86/M10x30	Bolt M10X30		10
22	GB1243.1-20A-1X38	20A-1X38 roller chain		1

Pos	Code	Description	NOTE	Q.
23	RT150.109	Rubber Gasket		1
24	RT150.019	Chain Cover		1
25	CBW-00.112	Oil plug		1
26	GB.812-88	Locking Nut M35x1.5		2
27	RT150.128	Lower Big Chain Gear		1
28	GB5783-86/M12x60	Bolt M12X60		1
29	RT150.116	Tensioning press bar		1
30	GB6170-86-M12	Nut M12		2
31	CBW-00.011	Oil Plug		1
32	RT150.121	Upper Chain Gear		1
33	GB5783-86/M8x30	Bolt M8x30		1
34	GB.5287-85-8	Flat Washer M8		2
35	RT150.117	Tensionor Spring		1
36	GB5783-86/M8x25	Bolt M8x25		22
37	GB5783-86/M10x45	Bolt M10X45		2
38	RT150.124	Transmission Axle Bearing Seat		1
39	RT150.125	Oil Seal Seat		1
40	RT150.126	transmission shaft(135-150)		1
41	GB97.1-85/10	Plain washer 10		2
42	RT150.018	protection Transimission cover(125-150)		1
43	GB97.1-85/8	Plain washer 8		4
44	XH40.146J.04W	Gearbox IGNH		1
45	FM120.00.401	PTO GUARD		1
46	GB93-87-8	Spring lock washer 8		8
47	RT150.014	right side plate		1

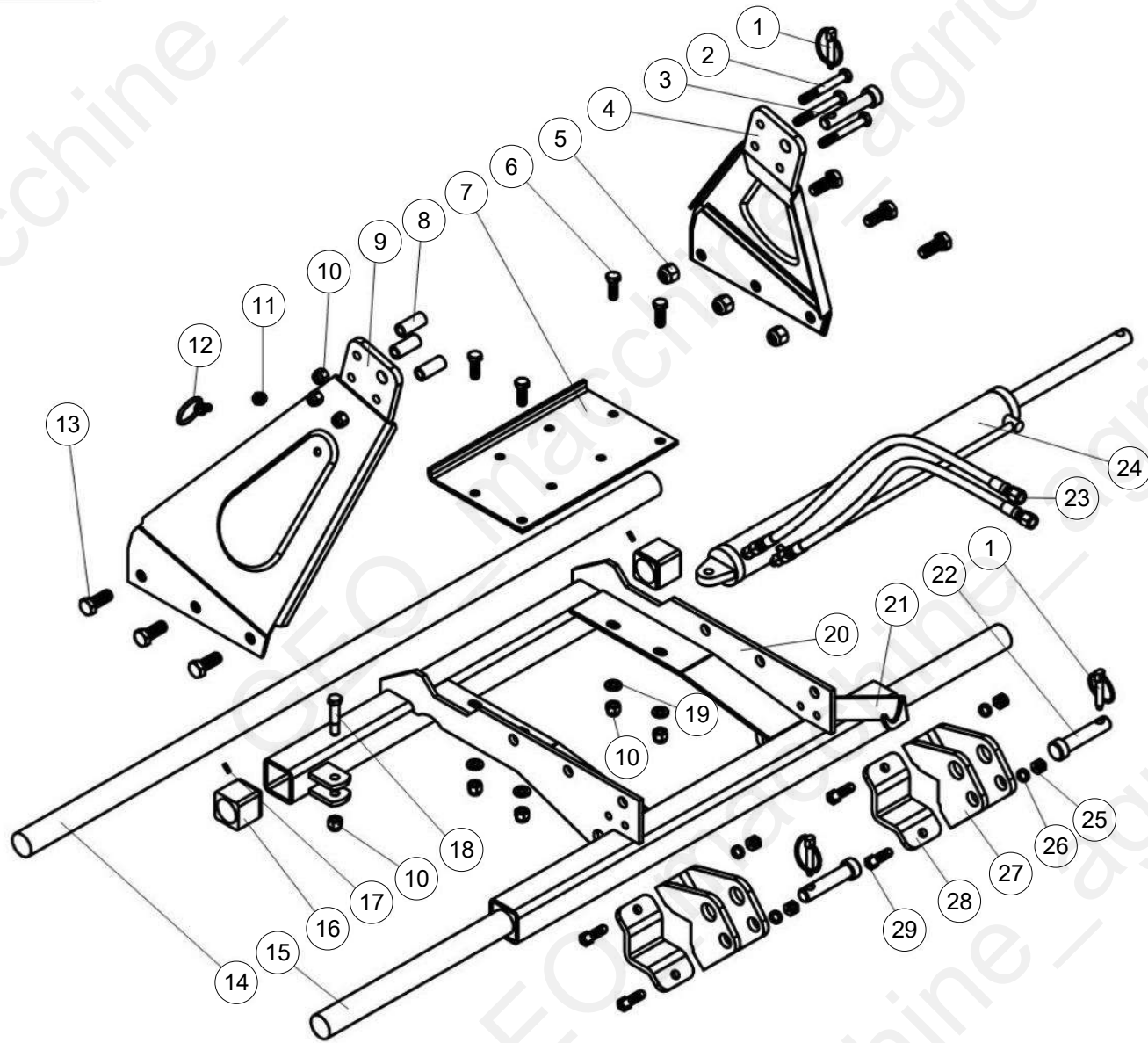


Machine: IGNH 2012 2018

Assembly: IGNH\_parte 3



Pos	Code	Description	NOTE	Q.
48	RT150.016	protecting Axle cover(135-160)		1
49	RT150.146	End cap		1



Pos	Code	Description	NOTE	Q.
1	200.56.011	Lock pin		3
2	GB5782-86/M12x85	Bolt M12x85		3
3	EF100.00.019	Support		1
4	LXG170.029	Left Top Link Support Frame		1
5	GB6184-86/M16	Locking nut M16		6
6	GB5783-86/M12x35	Bolt M12x35		4
7	RT150.118	Gearbox Support Frame		1
8	MZ105.130	Sleeve Spacer		3
9	LXG170.028	Right Top Link Support Frame		1
10	GB/T889.1-86-12	Nut M12		1
11	GB6184-86/M10	Locking nut M10		1
12	RT150.029	Hydraulic Hose Support		1
13	GB5783-86/M16x40	Bolt M16x40		6
14	RT150.111	Rear Guide Rail(135-160)		1
15	RT150.110	Front Guide Rail(135-160)		1
16	RT150.104	Nylon Lining bush		4
17	GB879-86/5x15	Spring Pin 5x15		4
18	GB.27-88	Bolt M12x60		2
19	GB97.1-85/12	Plain washer 12		4
20	RT150.027-1	Hydraulic Rod Support Frame		1
21	1GQR-105.101	PTO hook		1
22	LXG170.106	Lower Link Pin		2
23	RT150.017	Hydraulic Hose		2
24	RT150.022	hydraulic cylinder(125-150)		1
25	GB6170-86-M12	Nut M12		4

Pos	Code	Description	NOTE	Q.
26	GB93-87-12	Spring lock washer 12		4
27	RT150.106	Lower Link Connection		2
28	RT150.107	Lower Link Connection Plate		2
29	GB5782-86/M12x50	Bolt M12x50		4