

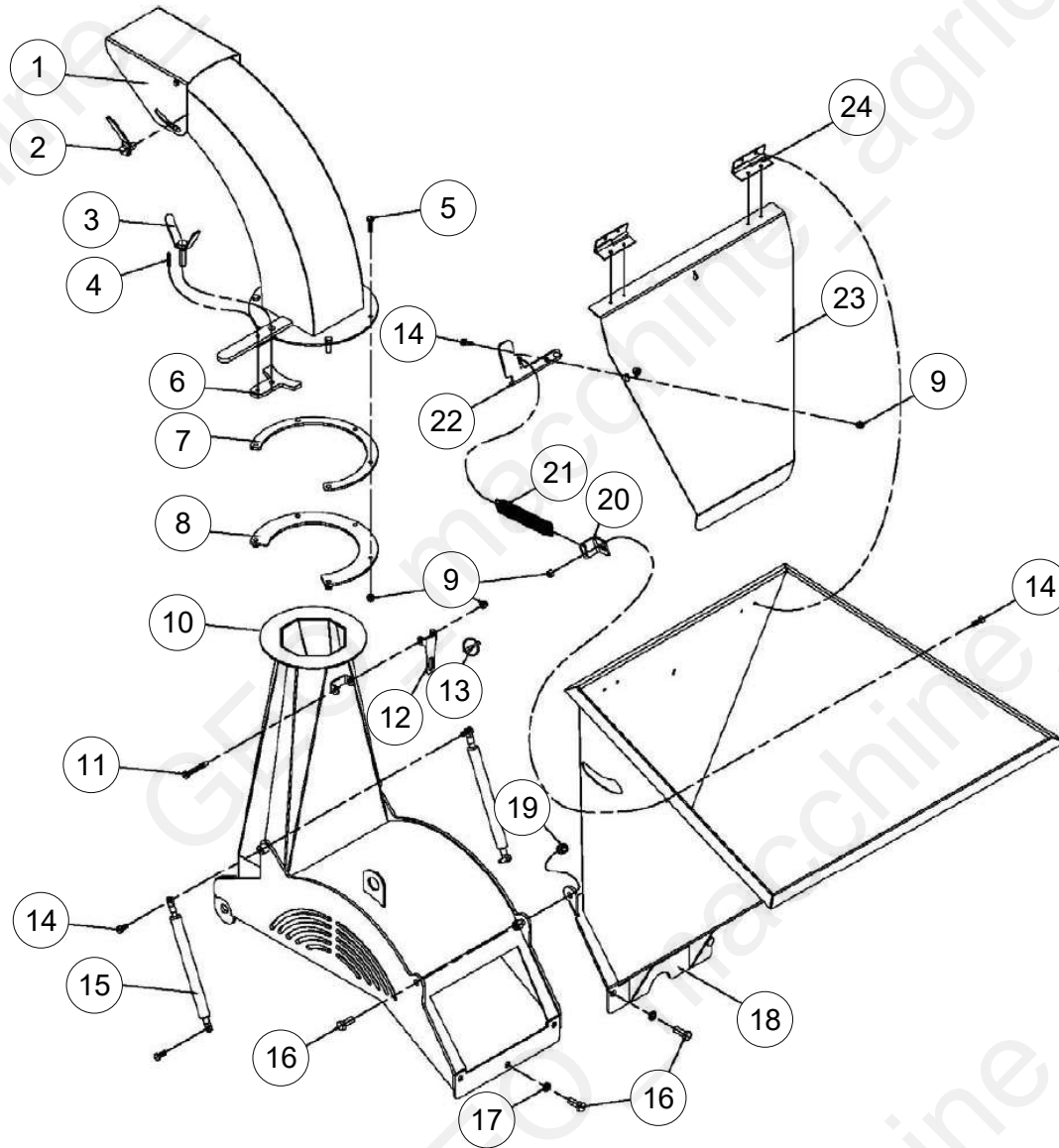
## ECO 20



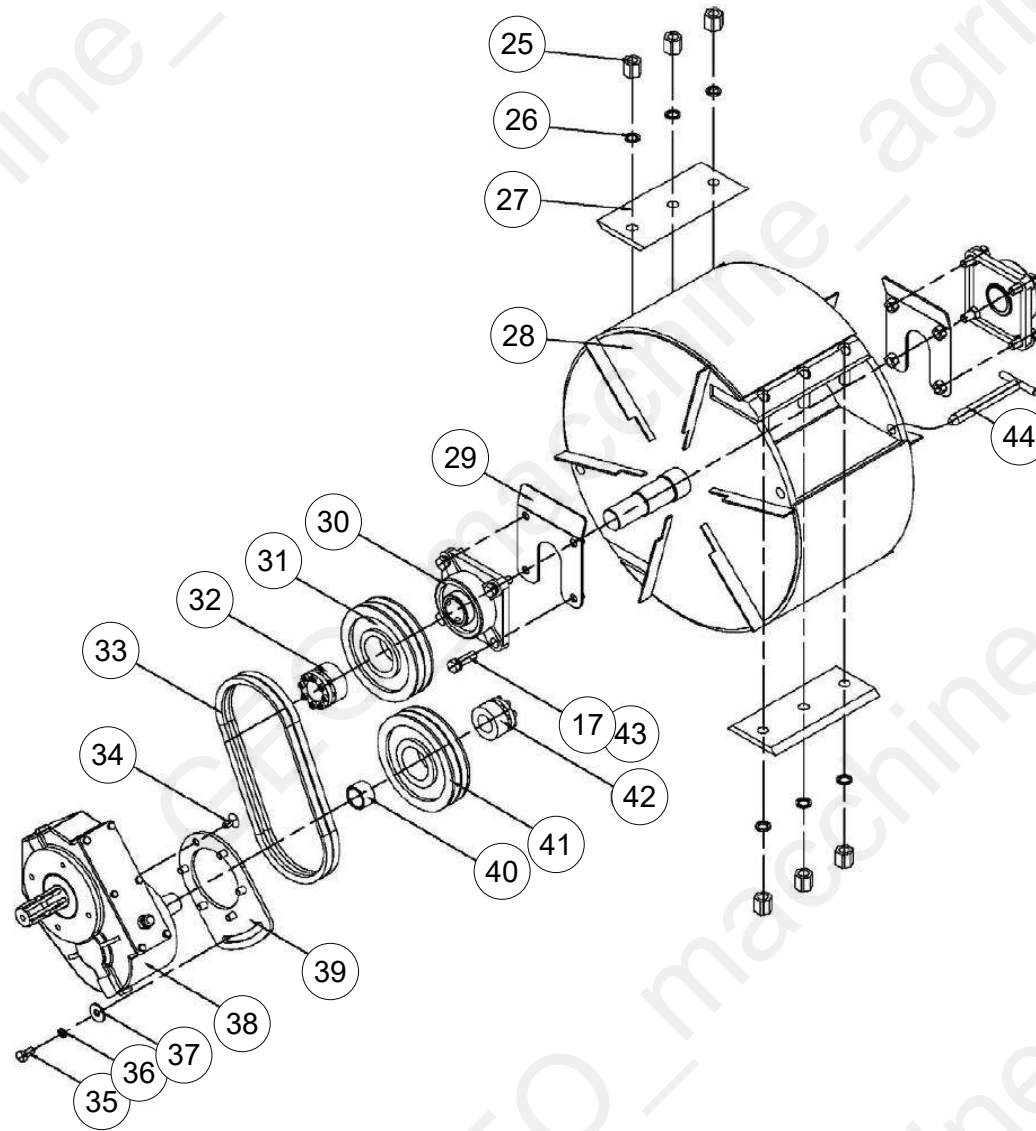
GEO Italy S.R.L.

# Table of Contents

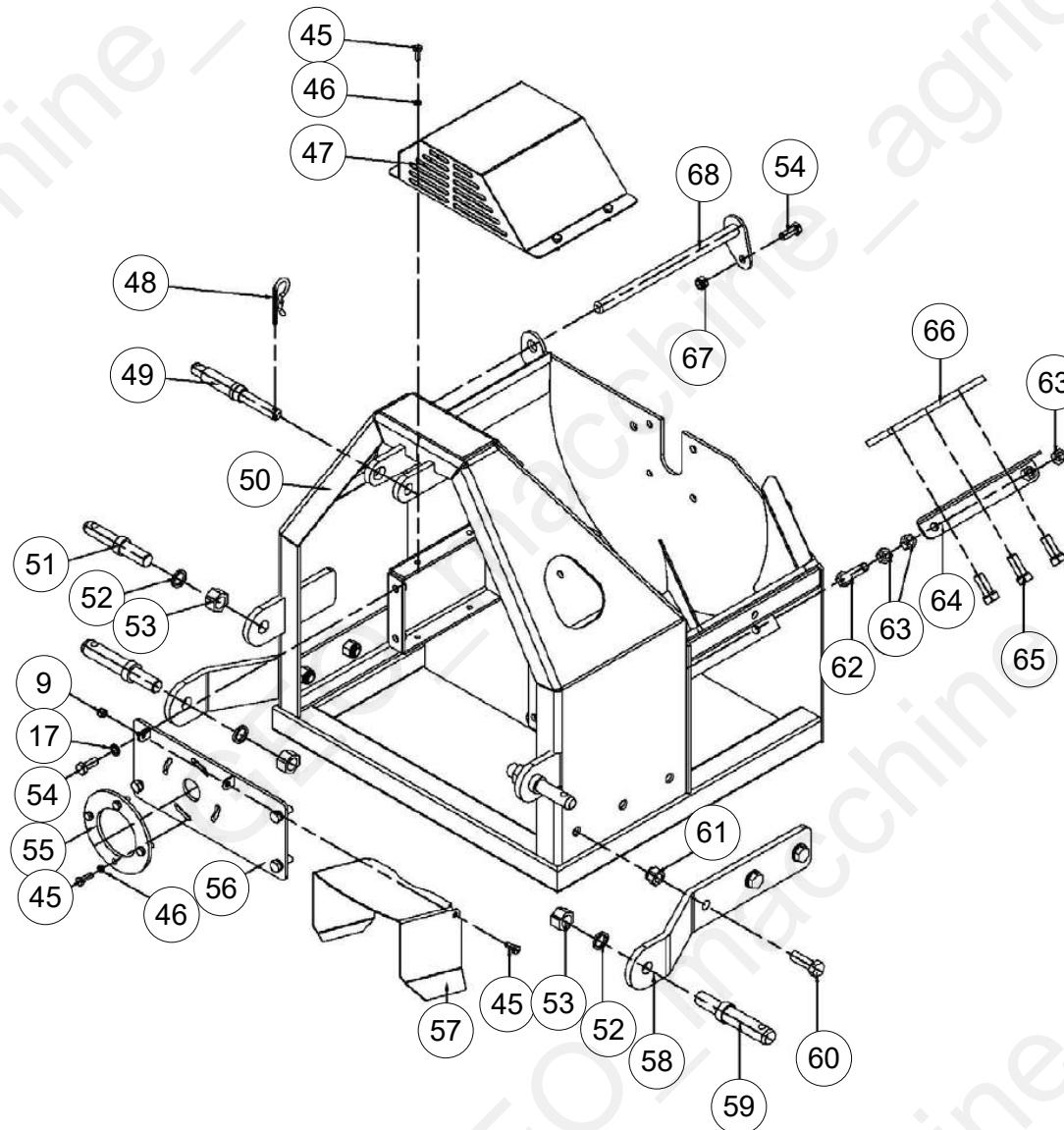
<b>Tavola</b>	<b>Page</b>
ECO20_parte 1	3
ECO20_parte 2	5
ECO20_parte 3	7
KIT_Protezione	10



Pos	Code	Description	NOTE	Q.
1	DW30.012	Discharge Chute		1
2	DW30.011	SCREW CLAMP		1
3	DW30.013	WING BOLT		1
4	GB/T879-2000	SPRING PIN 5*30		1
5	GB/T5783-2000-M8x30	Bolt M8*30		5
6	DW30.103	CLAMPING PLATE		1
7	DW30.101	DISTANCE PLATE		1
8	DW30.102	FERRULE		1
9	GB/T889.1-2000-8	Locking nut M8		11
10	DW30.014	Housing- Upper Rotor		0
11	GB/T5782-2000-M8x60	Bolt M8x60		1
12	DW30.104	Link Bar		1
13	Z12110	Latch Pin		1
14	GB/T5783-2000-M8x20	Bolt M8x20		3
15	DW30.003	GAS STRUT 200		2
16	GB/T5783-2000-M12x30	Bolt M12x30		5
17	GB/T93-1987-12	Spring washer 12		11
18	DW30.015	Weldment- Main Hopper		0
19	GB/T889.1-2000-M12	Locknut M12		2
20	DW30.106	SPRING BRACKET		1
21	Z31403	Spring 25mm x 178mm Heavy		1
22	DW30.107	SCREEN HANDLE		1
23	DW30.105	PROTECTION SCREEN		1
24	QB/T.3874-1999	HINGE UES		2



Pos	Code	Description	NOTE	Q.
17	GB/T5786-86-M16x45	Bolt M16x1.5x45		1
25	GB/T56-88	COLLAR NUT M16		6
26	GB/T93-1987-16	Spring washer 16		9
27	DW30.114	KNIFE		2
28	DW30.017	CUTTING DRUM		1
29	DW30.018	NUT PLATE		2
30	GB/T7810-1995-UCFU208	Bearing UCFU208		2
31	CP5.20.104	Belt pulley- in		0
32	JB/T7934Z3/35X60	Swellable sleeve 35X60		1
33	GB/T11544-97	BELT XPA813		2
34	GB/T70.3-2000-M10x20	Hex.head bolt M10*20		6
35	GB/T5783-2000-M10x25	Bolt M10x25		1
36	GB/T93-1987-10	Spring washer 10		1
37	GB/T96.2-2002-10	Plain washer 10		1
38	CP5.20.003	Gearbox assembly		1
39	DW30.111	Tension plate		1
40	DW30.113	Sleeve		1
41	CP5.20.105	Belt pulley- out		0
42	JB/T7934Z3/30X55	Swellable sleeve 30X55		1
43	GB/T5783-2000-M12x40	Bolt M12x40		8
44	DW30.019	PIN ASSY		1



Pos	Code	Description	NOTE	Q.
9	GB/T6128-M8	Lock Nut M8		1
17	GB/T96-85-12	Plain washer 12		1
45	GB/T5783-2000-M8x25	Bolt M8x25		10
46	GB/T93-1987-8	Spring washer 8		8
47	DW30.021	Belt cover		1
48	R-PIN.6	R-PIN 6		1
49	DW30.112	TOP LINK IMPLEMENT PIN		1
50	DW30.016	DRUM BASE HOUSING		1
51	FM150.114	HITCH PIN-LOWER		0
52	GB/T93-1987-22	Spring washer 22		4
53	GB/T6171-86-M22x1.5	Nut M22x1.5		4
54	GB/T5783-2000-M12x30	Bolt M12x30		5
55	CP5.20.103	Flange plate		1
56	DW30.022	Gearbox seat		1
57	DW30.108	PTO Guard shade		1
58	DW30.109	LINKAGE		2
59	DW30.110	LOWER LINK BOLT		2
60	GB/T5783-2000-M16x50	Bolt M16x50		6
61	GB/T889.1-2000-16	Locking Nut M16		6
62	GB/T5783-2000-M14x65	Bolt M14*65		2
63	GB/T6170-2000-M14	Nut M14		6
64	DW30.116	ADJUSTABLE BRACKET		1
65	GB/T5783-2000-M16x40	Bolt M16*40		3
66	DW30.115	ANVIL - CounterKnife		1
67	GB/T889.1-2000-M12	Locknut M12		1

Machine: ECO 20

Assembly: ECO20\_parte 3



Pos	Code	Description	NOTE	Q.
68	DW30.020	FEEDING UNIT AXLE		1

## KIT\_Protezione



1



Machine: KIT\_Protezione

Assembly: KIT\_PROT



Pos	Code	Description	NOTE	Q.
1	ECO.00.01	KIT Protezione Cuffie		1