

## HV

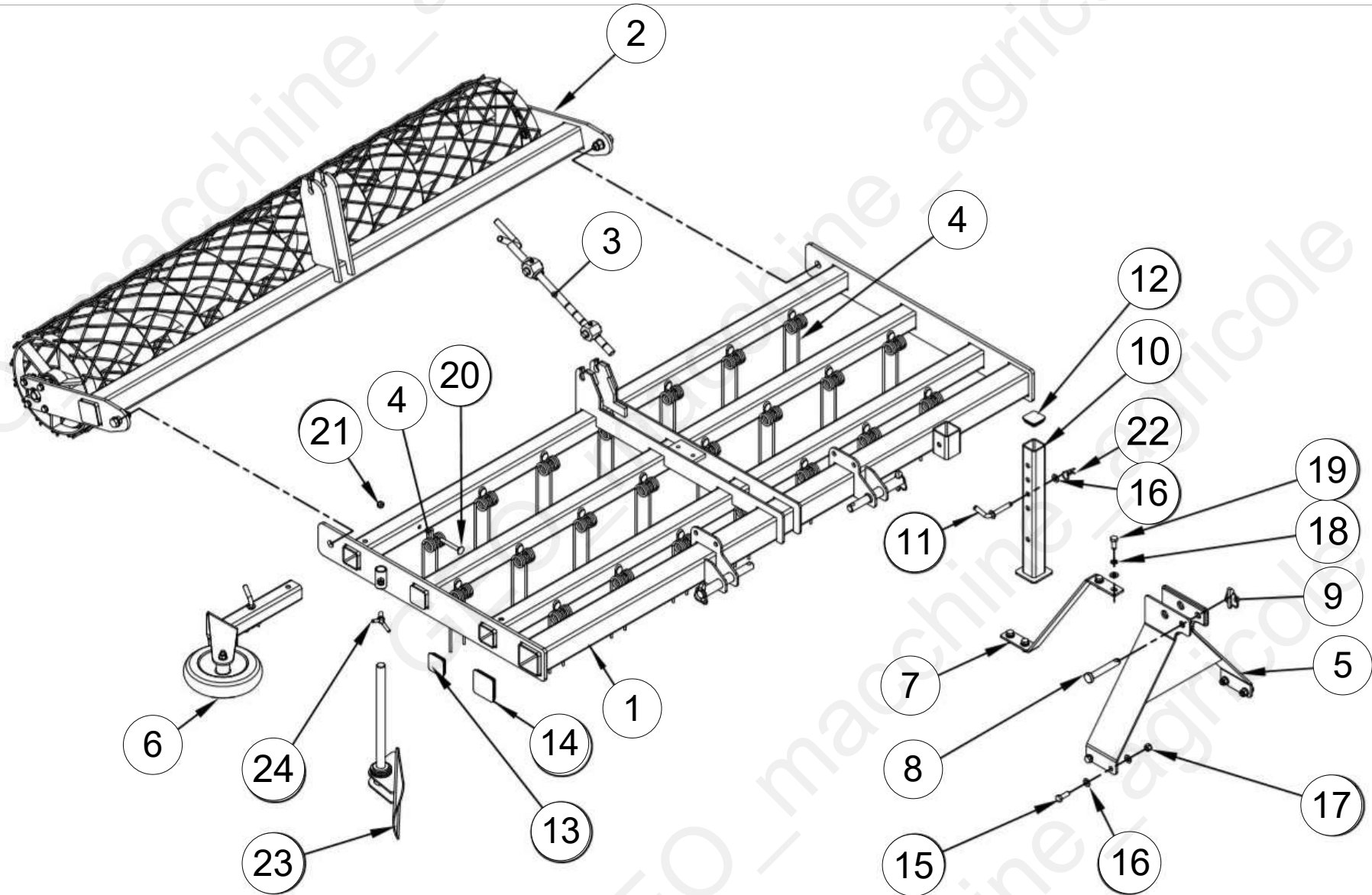


# Table of Contents

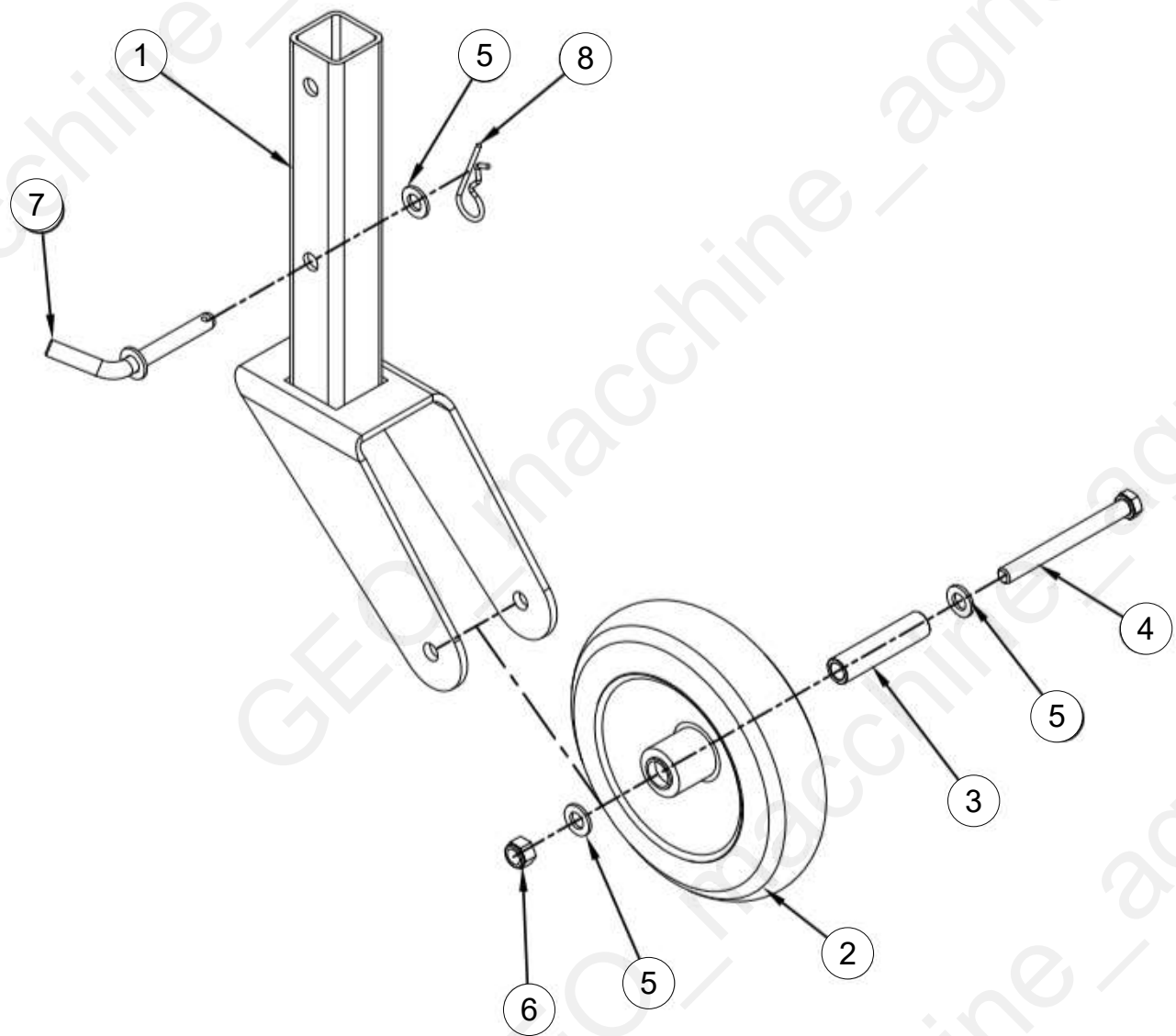
Tavola	Page
HV	3
HV 2016 2018	12

## HV





Pos	Code	Description	NOTE	Q.
1	HV200.012-1	MAIN FRAME-WELDMENT		1
4	HV200.101	SPRING TOOTH		22
5	HV200.01.13	HITCH FRAME-WELDMENT		1
7	HV200.102	LINKAGE BAR		1
8	EFGC125.123	HITCH PIN-TOP		1
9	LP-12	Lock Pin 12		3
10	HV200.016	LEG-WELDMENT		1
11	HV200.017	LATCH PIN-WELDMENT		1
12	HV200.108	PLUG 50x4		1
13	HV200.109	PLUG 60x4		5
14	HV200.110	PLUT 80x4		2
15	GB5783-M12x35	Bolt M12X35		4
16	GB97.1-12	plain washer 12		13
17	GB889.1-M12	Locking nut M12		4
18	GB93-12	spring washer 12		4
19	GB5783-M12x30	Bolt M12X30		4
20	GB/T14-M10x80	BOLT WITH SQUARE NECK M10x80		22
21	GB889.1-M10	Locking nut M10		22
22	RP-.3.2	R Pin 3.2		1
23	HV200.1.005	SIDE SHOVEL-ASSEMBLY		1
24	HV200.1.021	HANDLE-WELDMENT		1

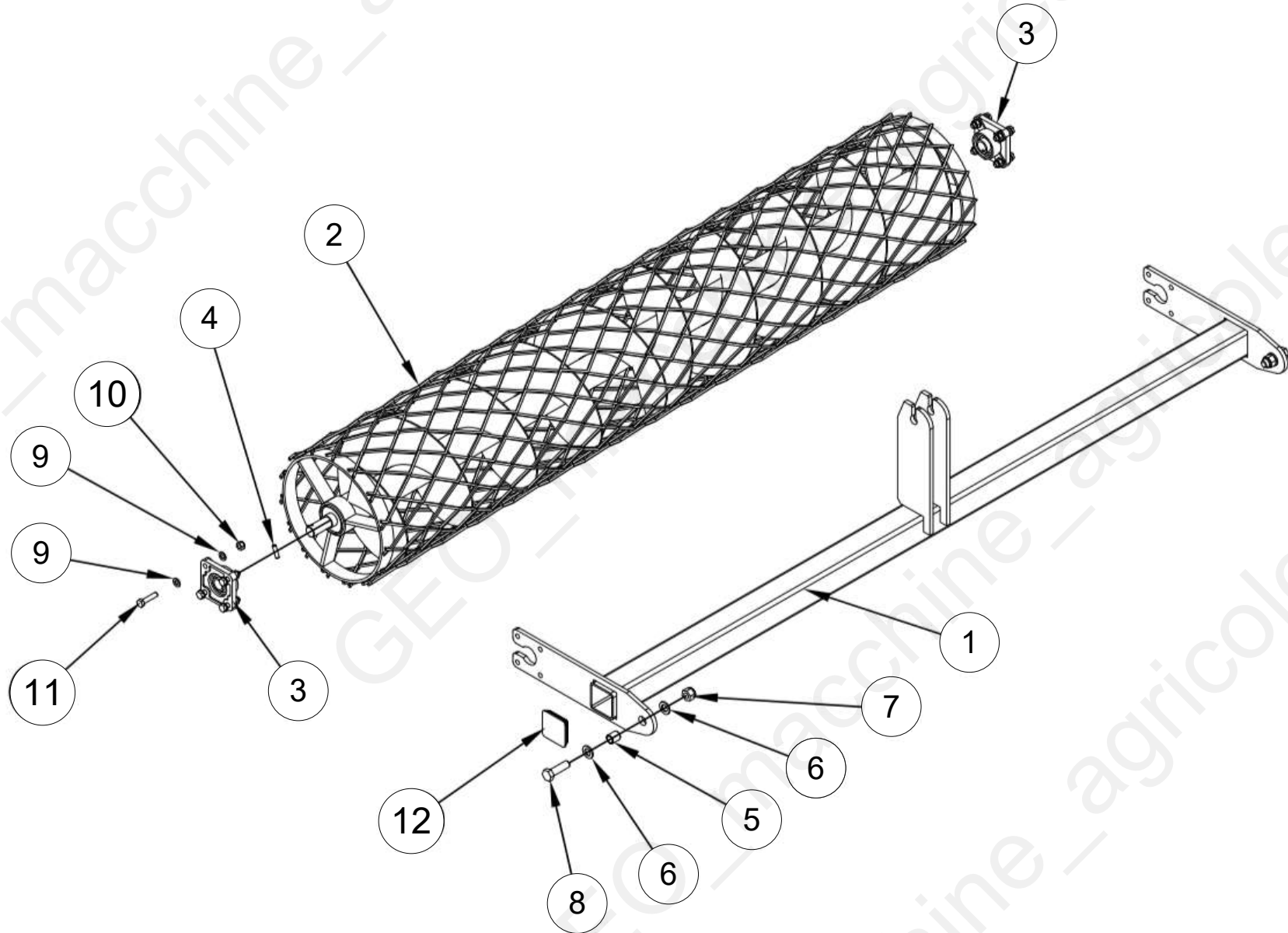


Machine: HV

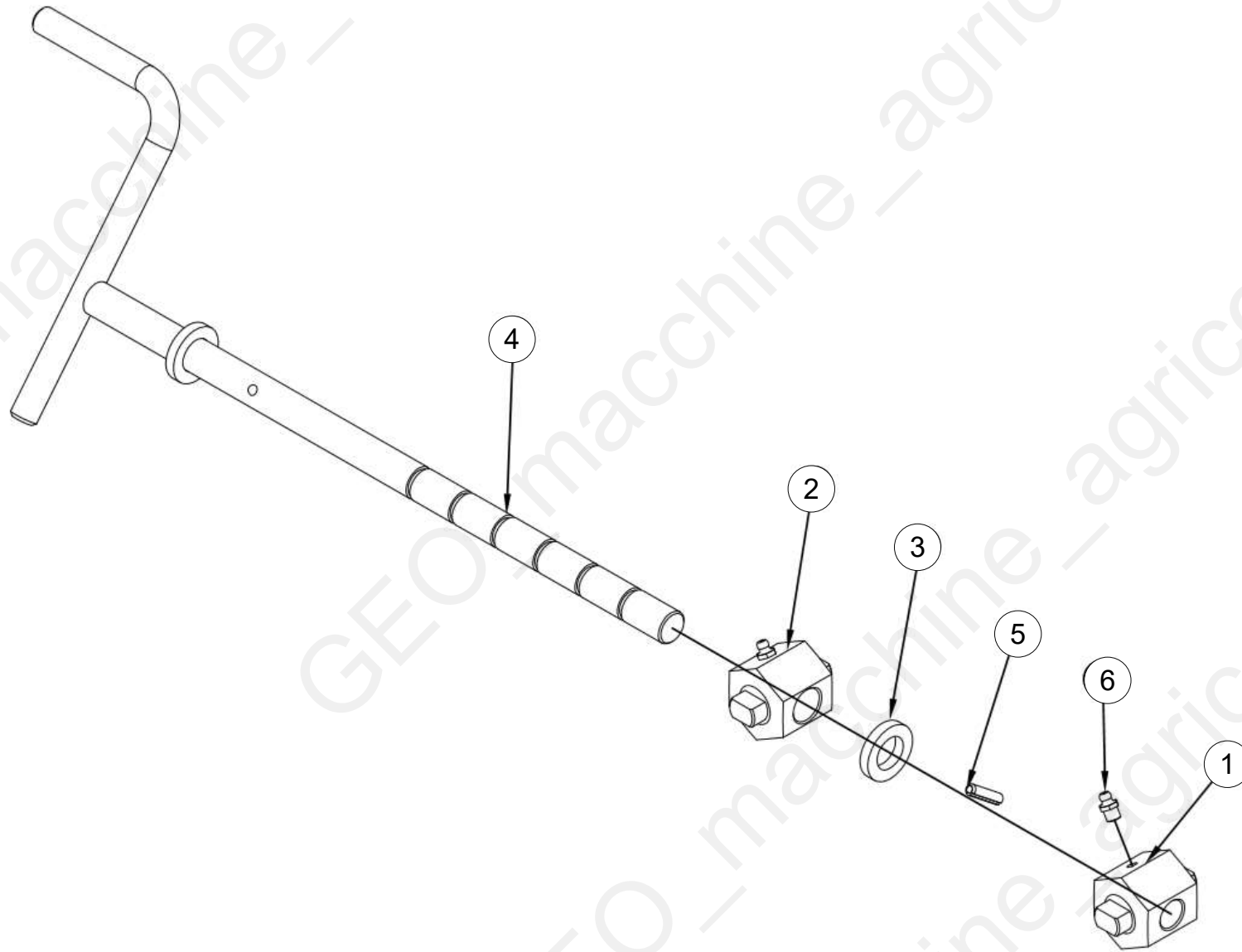
Assembly: HV200\_2019\_parte 2



Pos	Code	Description	NOTE	Q.
1	HV200.2.011	WHEEL FORK-WELDMENT		1
2	T2.80x2.5-4	WHEEL 2.8x2.5-4		1
3	HV200.107	BUSHING		1
4	GB5782-M12x120	BOLT M12x120		1
5	GB97.1-12	plain washer 12		3
6	GB889.1-M12	Locking nut M12		1
7	HV200.2.017	LATCH PIN-WELDMENT		1
8	RP-.3.2	R Pin 3.2		1



Pos	Code	Description	NOTE	Q.
1	HV200.014-1	ROLLER CARRIER-WELDMENT		1
2	HV200.3.025	GRID ROLLER-WELDMENT 182 cm		1
3	UCFU205	bearing UCFU 205		2
4	GB879.1-8x30	ELASTIC PIN 8x30		2
5	HV200.106	BUSHING		2
6	GB97.1-16	Plain washer 16		4
7	GB889.1-M16	Locking nut M16		2
8	GB5783-M16x55	Bolt M16x55		2
9	GB97.1-10	PLAIN WASHER 10		16
10	GB889.1-M10	Locking nut M10		8
11	GB5783-M10x45	Bolt M10X45		8
12	HV200.111	PLUG 70x4		2



Machine: HV

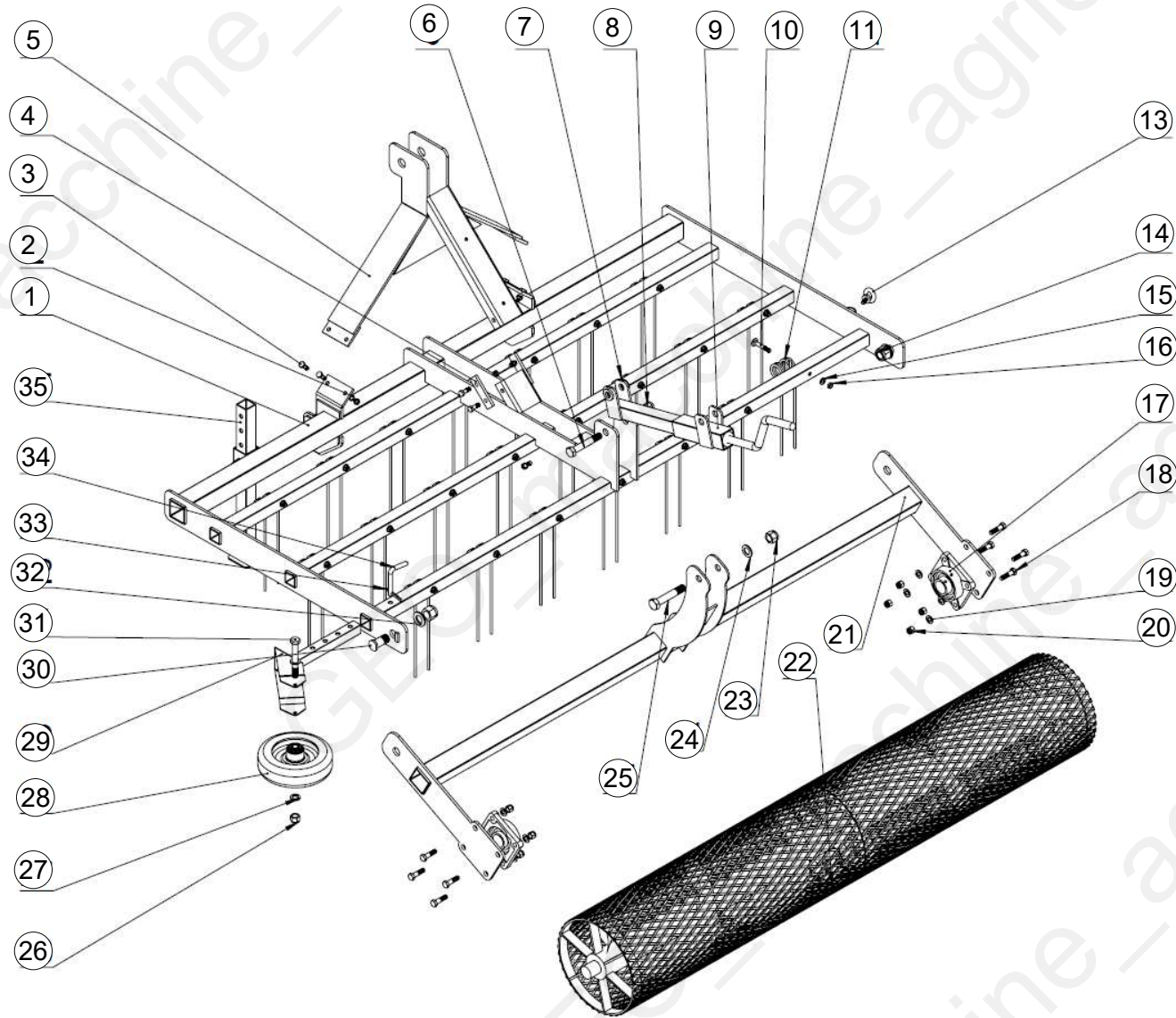
Assembly: HV200\_2019\_parte 4



Pos	Code	Description	NOTE	Q.
1	HV200.103	BLOCK 1		1
2	HV200.104	BLOCK 2		1
3	HV200.105	WASHER		1
4	HV200.015	SCREW ROD-WELDMENT		1
5	GB/T879.2-6×30	ELASTIC PIN 6x30		1
6	GB1152-M8x1	Grease Nipple M8x1		2

## HV 2016 2018





Pos	Code	Description	NOTE	Q.
1	HV200.001	Frame		1
2	GB/T.93-1987-10	Spring washer 10		8
3	GB/T5782-2000-M10x30	Bolt M10x30		9
4	HV200.004	Suspension connecting plate		2
5	HV200.005	Suspension Bracket		1
6	HV200.006	BOLT M18×110		1
7	HV200.007	WASHER 18		2
8	HV200.008	LOCKNUT 18		1
9	HV200.009	Height adjuster		1
10	HV200.011	Square neck bolt M10×60		22
11	HV200.012	Spring		22
13	HV200.013	LOCK BOLT M10×20		1
14	HV200.014	LOCKNUT 24		2
15	GB/T97.1-2002-10	Plain washer 10		22
16	GB/T.6170-2000-10	NUT 10		30
17	HV200.019	Bearing 208		2
18	HV200.018	BOLT M12×45		8
19	GB/T.95-2000-12	WASHER 12		8
20	HV200.020	LOCKNUT 12		8
21	HV200.021	Sieve frame		1
22	HV200.022	HV Roller 184 cm		1
23	HV200.023	LOCKNUT 20		1
24	HV200.024	WASHER 20		1
25	HV200.025	BOLT M20×110		1
26	GB/T.889.1-2000-16	Lock Nut M16		1

Pos	Code	Description	NOTE	Q.
27	GB/T.95-2000-16	WASHER 16		2
28	HV200.028	Wheel Assembly		1
29	HV200.029	Wheel frame		1
30	HV200.030	Locking Bolt M24×50		2
31	GB/T5780-2000-M16×120	Bolt M16×120		1
32	HV200.032	WASHER 24		2
33	HV200.033	PIN B 4×85		2
34	HV200.034	LOCK PIN 16×95		2
35	HV200.035	Support leg		1