

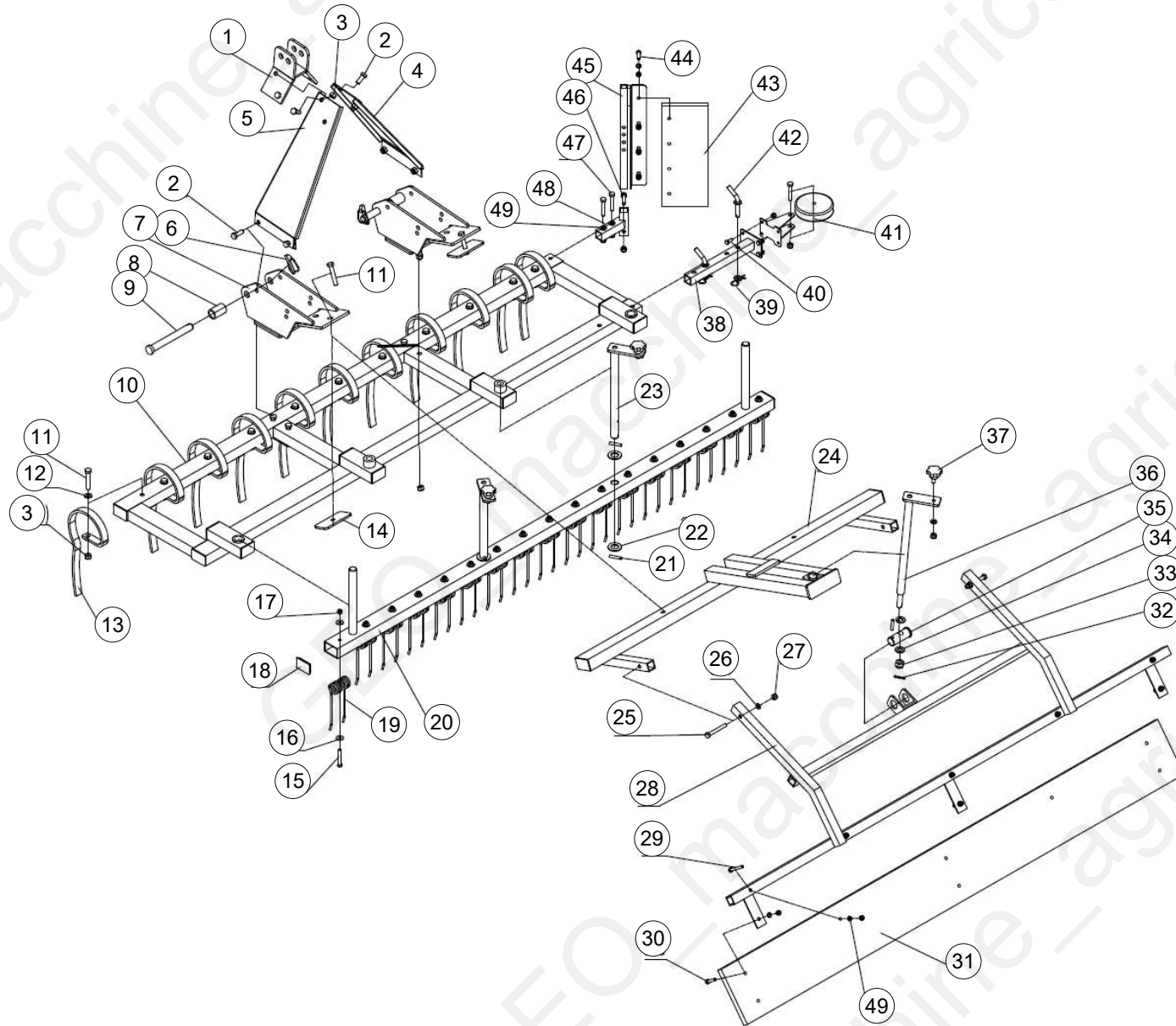
HM



GEO Italy S.R.L.

Table of Contents

Tavola	Page
HM_parte 1	3



Pos	Code	Description	NOTE	Q.
1	EFGC125.022	Upper pull rod bracket Weldment		1
2	GB5783-86/M12x35	Bolt M12×35		8
3	GB889.1-M12	Locking nut M12		21
4	EFGC125.023	Suspension plate (L)		1
5	EFGC125.021	Suspension plate (R)		1
6	LPIN10	LOCK PIN 10		2
7	HM200.012	BRACKET-WA		1
8	EFGC125.108	Spacer		2
9	EFGC125.109	Lower suspension pin		2
10	HM200.011	MAIN FRAME-WA		1
11	GB5782-86/M12x70	Bolt M12x70		13
12	GB97.1/12	Plain washer 12		26
13	HM200.101	CURVE TINE		11
14	HM200.107	PLATE		2
15	GB5782-86/M8x60	BOLT M8x60		17
16	GB96-8	Plain washer 8		34
17	GB889.1-M8	Locking nut M8		33
18	HM200.108	END CAP		14
19	HM200.102	SPRING TINE		17
20	HM200.016	TINE SEAT-WA		1
21	GB879.8x40	ROLL PIN 8x40		5
22	GB97.1/24	Plain washer 24		4
23	HM200.019	LIFT BAR-WA		1
24	HM200.020	LINKING FRAME-WA		1
25	GB5782-86/M10x80	BOLT M10x80		2

Machine: HM

Assembly: HM_parte 1



Pos	Code	Description	NOTE	Q.
26	GB97.1/10	Plain washer 10		9
27	GB889.1-M10	Locking nut M10		8
28	HM200.017	REAR SCRAPER BRACKET- WA		1
29	GB5782-86/M8x65	BOLT M8x65		5
30	GB5783-86/M8x35	Bolt M8x35		3
31	HM200.105	REAR SCRAPER		1
32	GB91-4x28	cotter pin 4x28		1
33	GB6181	SLOTTED NUT M16		1
34	GB97.1/16	Plain washer 16		2
35	HM200.106	PIN		1
36	HM200.018	ADJUSTING ROD-WA		1
37	CP5.50.101	Knob screw		3
38	HM200.015	WHEEL BRACKET-WA		1
39	RPIN.3.2	R Pin 3.2		2
40	GB5783-86/M8x20	Bolt M8x20		4
41	W125	WHEEL 125		1
42	HM200.104	PIN		2
43	HM200.103	SIDE SCRAPER		1
44	GB5783-86/M8x35	Bolt M8x35		4
45	HM200.014	SIDE SCRAPER BRACKET-WA		1
46	GB5783-86/M10x45	Bolt M10X45		1
47	GB5782-86/M10x45	Bolt M10x45		2
48	HM200.013	ADJUSTING BRACKET-WA		1
49	GB97.1/8	Plain washer 8		24