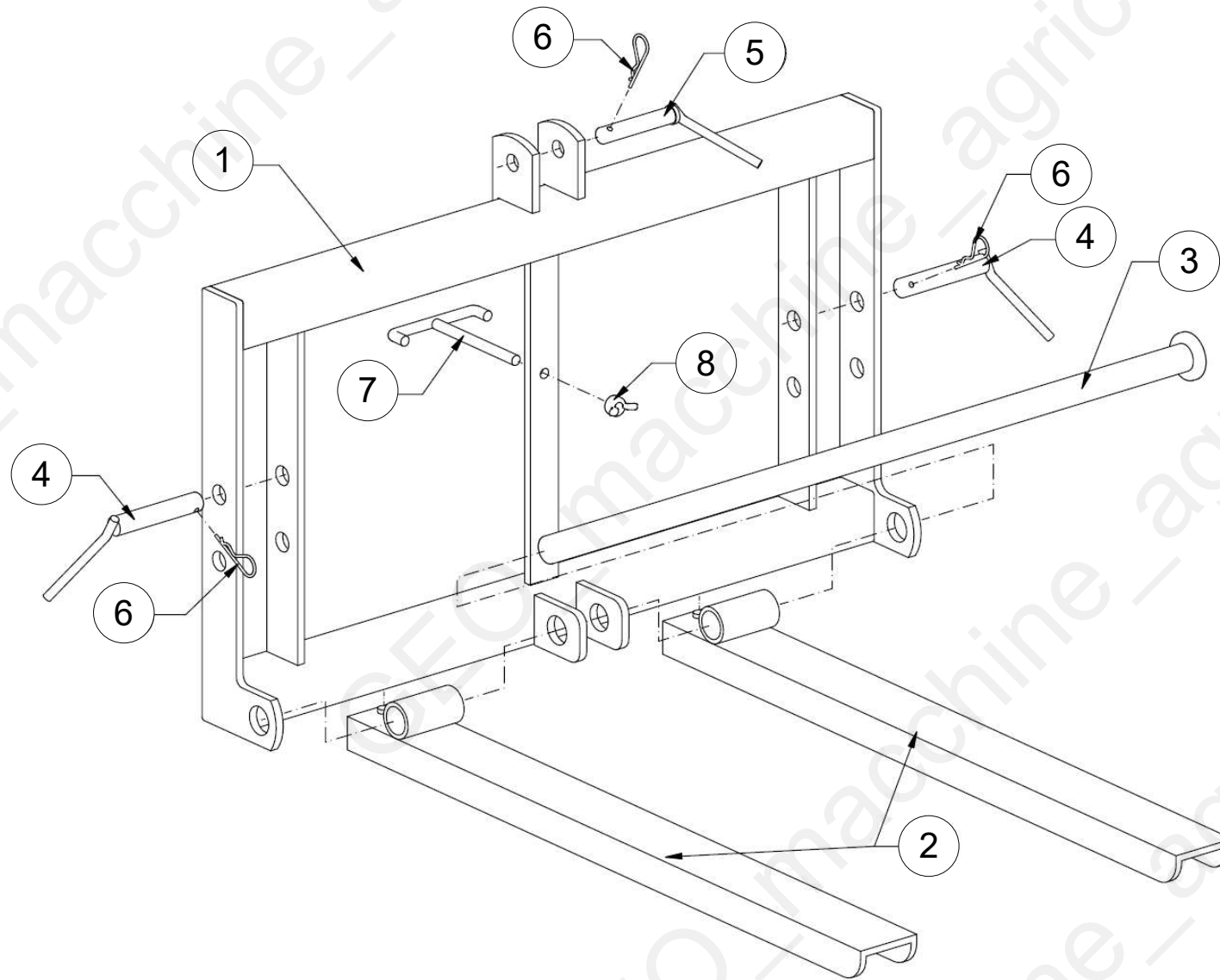


FT



Table of Contents

Tavola	Page
FT_parte 1	3



Machine: FT

Assembly: FT_parte 1



Pos	Code	Description	NOTE	Q.
1	FT-001	Main Frame 60X60		2
2	FT-002	U TUBE		2
3	FT-003	Ring axle		1
4	FT-004	CAT I or II		2
5	FT-005	CAT I or II		1
6	FT-006	r pin		1
7	FT-007	Block		1
8	FT-008	Nut		1