

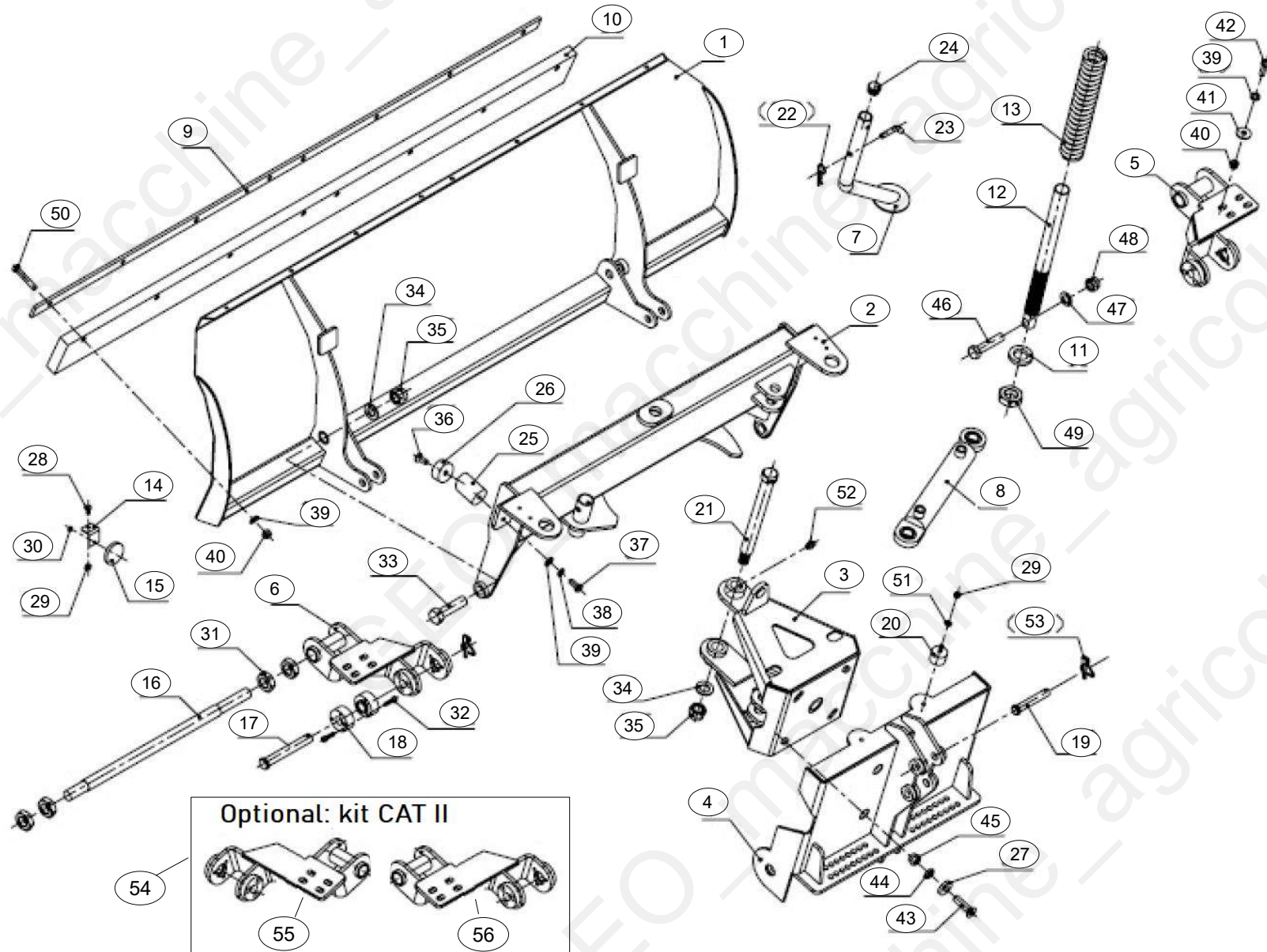


Table of Contents

Tavola	Page
SP standard	3
SP SKIDLOADER-EUROFRONTT	11

SP standard





Pos	Code	Description	NOTE	Q.
1	SBE140.011	Main snow blade weldment SP140		1
1	SBE160.011	Main snow blade weldment SP160		1
1	SBE180.011	Main snow blade weldment SP180		1
1	SBE200.011	Main snow blade weldment SP200		1
1	SBE220.011	Main snow blade weldment SP220		1
1	SBE240.011	Main snow blade weldment SP240		1
1	SBE250.011	Main snow blade weldment SP250		1
2	SBE180.012	Long support weldment		1
3	SBE180.013	Connection frame weldment		1
4	SBE180.014	Mounting Bracket weldment		1
5	SBE180.015	Rigth Bottom Bracket weldment 1		1
6	SBE180.016	Left Bottom Bracket weldment 2		1
7	SBE180.017	Kickstand weldment		1
8	SBE180.004	Hydraulic Cylinder		1
9	SBE140.101	SP140 Decking of rubber		1
9	SBE160.101	SP160 Decking of rubber		1
9	SBE180.101	SP180 Decking of rubber		1
9	SBE200.101	SP200 Decking of rubber		1
9	SBE220.101	SP220 Decking of rubber		1
9	SBE240.101	SP240 Decking of rubber		1
9	SBE250.101	SP250 Decking of rubber		1
10	SBE.200.102	SP200 Rubber		1
10	SBE.200.102.2	SP200 Steel plate		1
10	SBE.220.102	SP220 Rubber		1
10	SBE.220.102.2	SP220 Steel plate		1

Pos	Code	Description	NOTE	Q.
10	SBE.240.102	SP240 Rubber		1
10	SBE.240.102.2	SP240 Steel plate		1
10	SBE.250.102	SP250 Rubber		1
10	SBE.250.102.2	SP250 Steel plate		1
10	SBE140.102	SP140 Rubber		1
10	SBE140.102.2	SP140 Steel Plate		1
10	SBE160.102	SP160 Rubber		1
10	SBE160.102.2	SP160 Steel Plate		1
10	SBE180.102	SP180 Rubber		1
10	SBE180.102.2	SP180 Steel plate		1
11	SBE180.103	Spring pad		2
12	SBE180.104	Shaft axle of spring		2
13	SBE180.105	Spring		2
14	SBE180.106	Mounted plate of reflector plate		2
15	SBE180.107	reflector plate		2
16	SBE180.108	Long shaft		1
17	SBE180.109	Long hitch pin		2
18	SBE180.110	Pad		4
19	SBE180.111	Short hitch pin		1
20	SBE180.112	Bolt rubber pad		2
21	SBE180.018	Rotation pin		1
22	FEL300.114	R pin 3.2		1
23	SBE180.113	Bent pin		1
24	SBE180.114	Decking of kickstand		1
25	SBE180.115	Pole		2

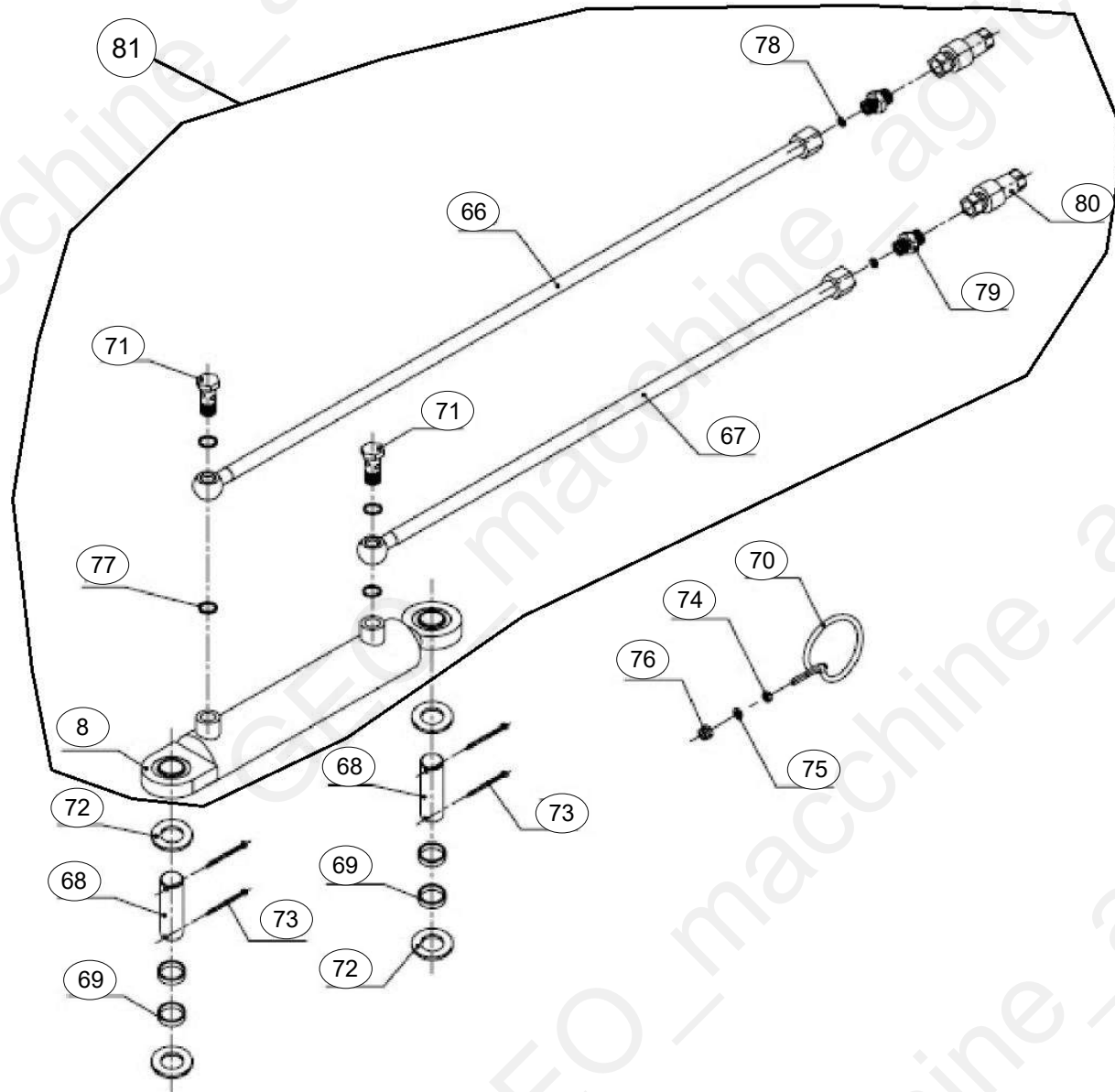
Pos	Code	Description	NOTE	Q.
26	SBE180.116	Rubber block		2
27	SBE180.117	Small block		4
28	GB/T5782.M8x16	Bolt M8x16		2
29	GB/T889.1.M8	Self-lock nut M8		2
30	GB/T6170.M5	Nut M5		2
31	GB/T6172.1.M30	Thin nut M30		4
32	GB/T70.1.M8x30	Bolt M8x30		12
33	GB/T5782.M24x90	Bolt M24x90		2
34	GB/T97.1.24	Plain washer 24		2
35	GB/T889.1.M24	Self-lock nut M24		2
36	GB/T70.3.M12x30	Bolt M12x30		2
37	GB/T5782.M12x25	Bolt M12x25		2
38	GB/T93.12	Spring washer 12		2
39	GB/T97.1	Washer		8
40	GB/T889.1.M12	Self-lock M12		16
41	GB/T96.1.12	Large washer 12		16
42	GB/T5782.M12x40	Bolt M12x40		16
43	GB/T70.3.M16x60	Bolt M16x60		4
44	GB/T6172.1.M16	Thin nut M16		4
45	GB/T889.1.M16	Self-lock nut M16		4
46	GB/T5782.M20x85	Bolt M20x85		2
47	GB/T97.1.20	Plain washer 20		2
48	GB/T889.1.M20	Self-lock nut M20		2
49	GB/T6173.M36x3	Thin nut M36x3		2
50	GB/T5782.M12x70	Bolt M12x70		8

Machine: SP standard

Assembly: SP_parte 1



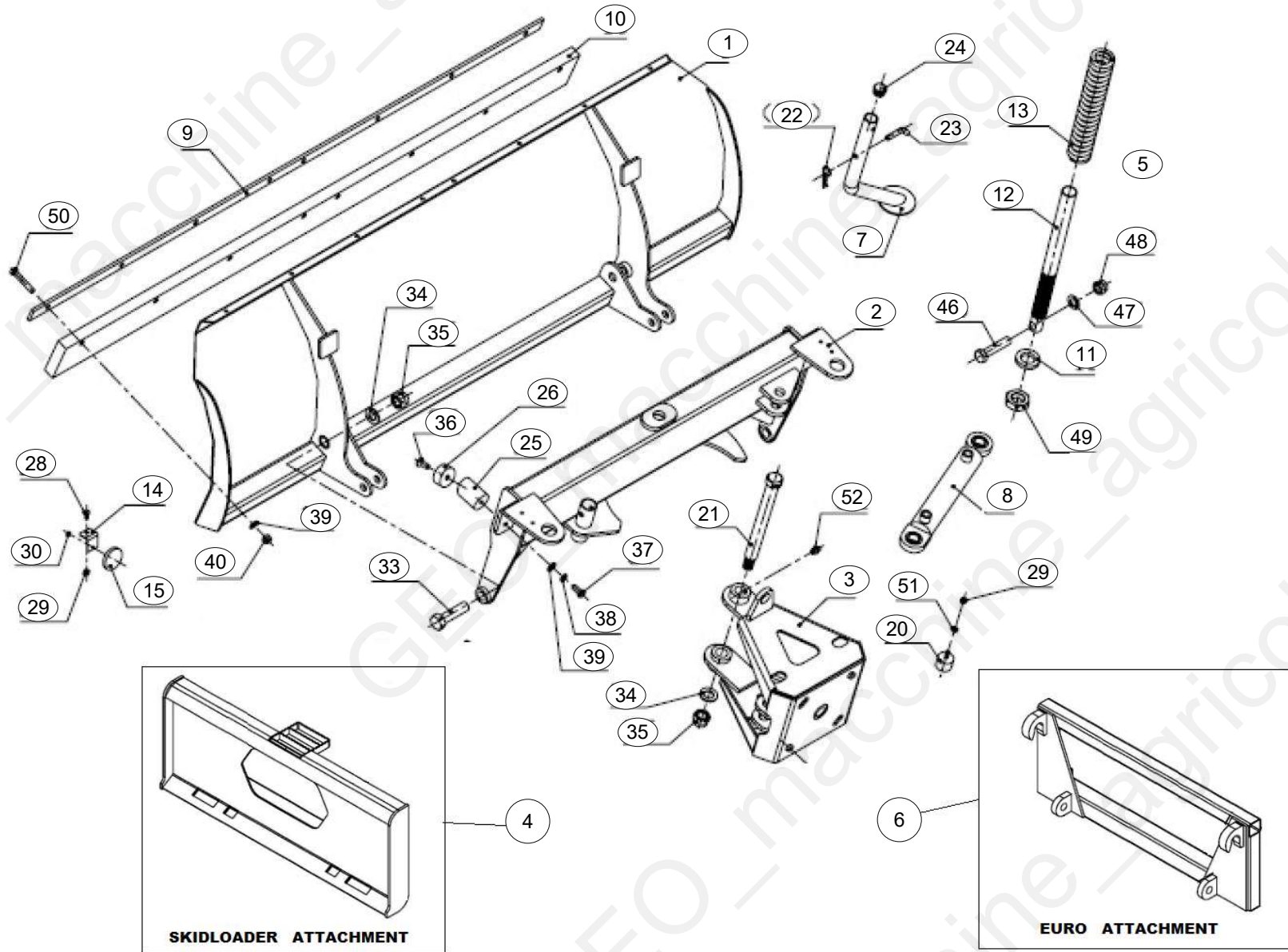
Pos	Code	Description	NOTE	Q.
51	GB/T97.1.8	Plain washer 8		2
52	M6.JB/T7940.1	Oil cup M6		2
53	LP-8	Lock pin 8		3
54	SBE.00.CAT2	KIT Hang CAT II		1
55	SBE.01.CAT2	RIGHT Hang CAT II		1
56	SBE.02.CAT2	LEFT Hang CAT II		1



Pos	Code	Description	NOTE	Q.
8	SBE180.004	Hydraulic Cylinder		1
66	SBE180.042	Long oil pipe		1
67	SBE180.043	Short oil pipe		1
68	SBE180.401	Shaft axle of cylinder		2
69	SBE180.402	Pad of cylinder		4
70	SBE180.403	Hook		2
71	SBE180.404	Hollow bolt 16		2
72	GB/T97.1.24	Plain washer 24		4
73	GB/T91.4x50	Cutter pin 4x50		4
74	GB/T6170.M6	Nut M6		2
75	GB/T97.1.6	Plain washer 6		2
76	GB/T889.1.M6	Self-lock nut M6		2
77	CP-16	Copper pad 16		4
78	GB/T3452.1.11x2.4	Seal ring 11x2.4		2
79	J-M16x1.5-G1/2	Joint M16x1.5- G1/2		2
80	QJ-.XZ.2-G1/2	Quick joint XZ 2- G1/2		2
81	SBE180.004.1	Hydraulic Cylinder KIT Ass.		1

WIDLOADER-EUROFR

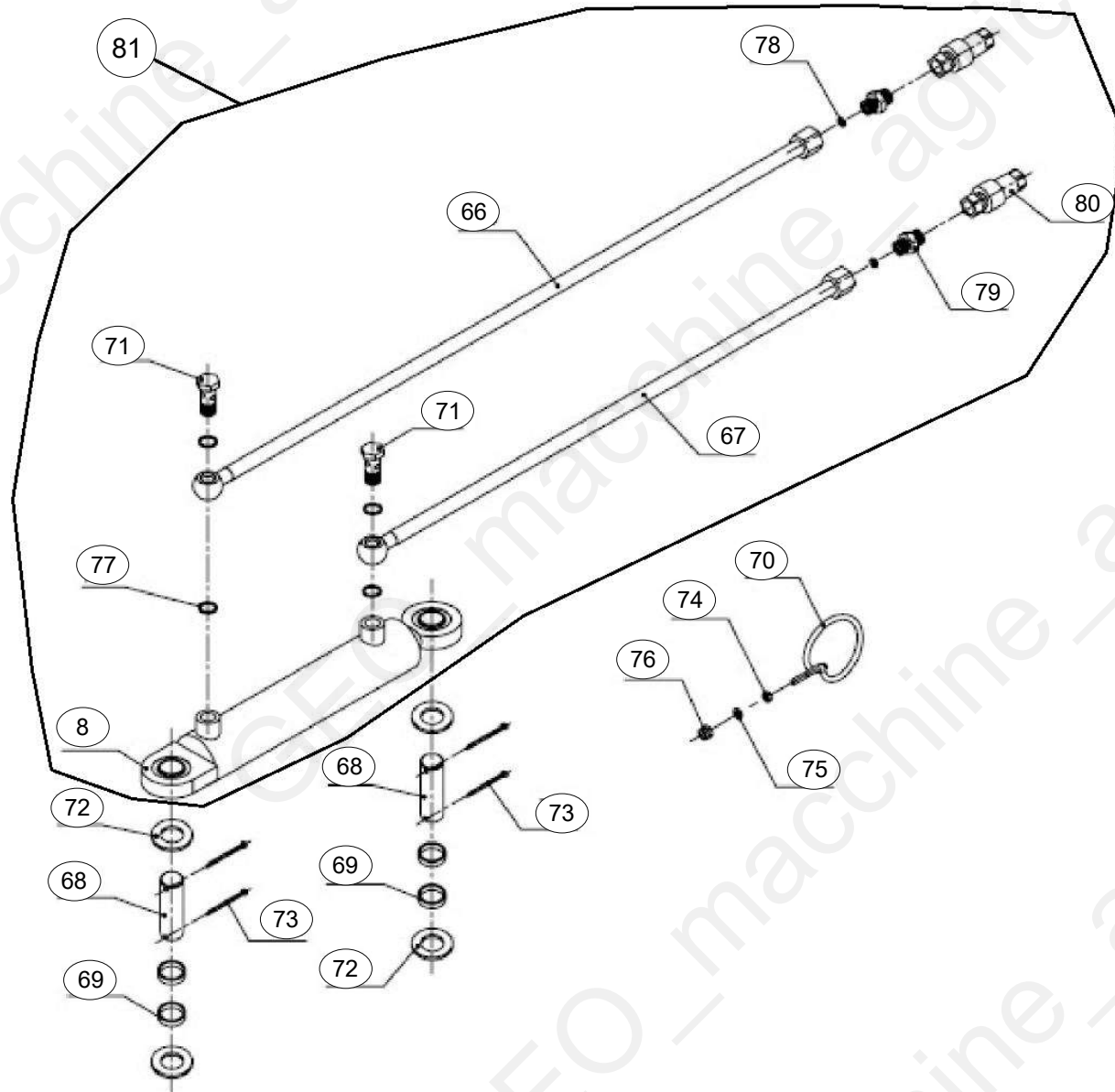




Pos	Code	Description	NOTE	Q.
1	SBE140.011	Main snow blade weldment SP140		1
1	SBE160.011	Main snow blade weldment SP160		1
1	SBE180.011	Main snow blade weldment SP180		1
1	SBE200.011	Main snow blade weldment SP200		1
1	SBE220.011	Main snow blade weldment SP220		1
1	SBE240.011	Main snow blade weldment SP240		1
1	SBE250.011	Main snow blade weldment SP250		1
2	SBE180.012	Long support weldment		1
3	SBE180.013	Connection frame weldment		1
4	SP.000.SKID	SP SKIDLOADER ATTACHMENT		1
5	SBE180.015	Rigth Bottom Bracket weldment 1		1
6	SP.000.EURO	SP EURO ATTACHMENT		1
7	SBE180.017	Kickstand weldment		1
8	SBE180.004	Hydraulic Cylinder		1
9	SBE140.101	SP140 Decking of rubber		1
9	SBE160.101	SP160 Decking of rubber		1
9	SBE180.101	SP180 Decking of rubber		1
9	SBE200.101	SP200 Decking of rubber		1
9	SBE220.101	SP220 Decking of rubber		1
9	SBE240.101	SP240 Decking of rubber		1
9	SBE250.101	SP250 Decking of rubber		1
10	SBE.200.102	SP200 Rubber		1
10	SBE.200.102.2	SP200 Steel plate		1
10	SBE.220.102	SP220 Rubber		1
10	SBE.220.102.2	SP220 Steel plate		1

Pos	Code	Description	NOTE	Q.
10	SBE.240.102	SP240 Rubber		1
10	SBE.240.102.2	SP240 Steel plate		1
10	SBE.250.102	SP250 Rubber		1
10	SBE.250.102.2	SP250 Steel plate		1
10	SBE140.102	SP140 Rubber		1
10	SBE140.102.2	SP140 Steel Plate		1
10	SBE160.102	SP160 Rubber		1
10	SBE160.102.2	SP160 Steel Plate		1
10	SBE180.102	SP180 Rubber		1
10	SBE180.102.2	SP180 Steel plate		1
11	SBE180.103	Spring pad		2
12	SBE180.104	Shaft axle of spring		2
13	SBE180.105	Spring		2
14	SBE180.106	Mounted plate of reflector plate		2
15	SBE180.107	reflector plate		2
20	SBE180.112	Bolt rubber pad		2
21	SBE180.018	Rotation pin		1
22	FEL300.114	R pin 3.2		1
23	SBE180.113	Bent pin		1
24	SBE180.114	Decking of kickstand		1
25	SBE180.115	Pole		2
26	SBE180.116	Rubber block		2
28	GB/T5782.M8x16	Bolt M8x16		2
29	GB/T889.1.M8	Self-lock nut M8		2
30	GB/T6170.M5	Nut M5		2

Pos	Code	Description	NOTE	Q.
33	GB/T5782.M24x90	Bolt M24x90		2
34	GB/T97.1.24	Plain washer 24		2
35	GB/T889.1.M24	Self-lock nut M24		2
36	GB/T70.3.M12x30	Bolt M12x30		2
37	GB/T5782.M12x25	Bolt M12x25		2
38	GB/T93.12	Spring washer 12		2
39	GB/T97.1	Washer		8
40	GB/T889.1.M12	Self-lock M12		16
46	GB/T5782.M20x85	Bolt M20x85		2
47	GB/T97.1.20	Plain washer 20		2
48	GB/T889.1.M20	Self-lock nut M20		2
49	GB/T6173.M36x3	Thin nut M36x3		2
50	GB/T5782.M12x70	Bolt M12x70		8
51	GB/T97.1.8	Plain washer 8		2
52	M6.JB/T7940.1	Oil cup M6		2



Pos	Code	Description	NOTE	Q.
8	SBE180.004	Hydraulic Cylinder		1
66	SBE180.042	Long oil pipe		1
67	SBE180.043	Short oil pipe		1
68	SBE180.401	Shaft axle of cylinder		2
69	SBE180.402	Pad of cylinder		4
70	SBE180.403	Hook		2
71	SBE180.404	Hollow bolt 16		2
72	GB/T97.1.24	Plain washer 24		4
73	GB/T91.4x50	Cutter pin 4x50		4
74	GB/T6170.M6	Nut M6		2
75	GB/T97.1.6	Plain washer 6		2
76	GB/T889.1.M6	Self-lock nut M6		2
77	CP-16	Copper pad 16		4
78	GB/T3452.1.11x2.4	Seal ring 11x2.4		2
79	J-M16x1.5-G1/2	Joint M16x1.5- G1/2		2
80	QJ-.XZ.2-G1/2	Quick joint XZ 2- G1/2		2
81	SBE180.004.1	Hydraulic Cylinder KIT Ass.		1