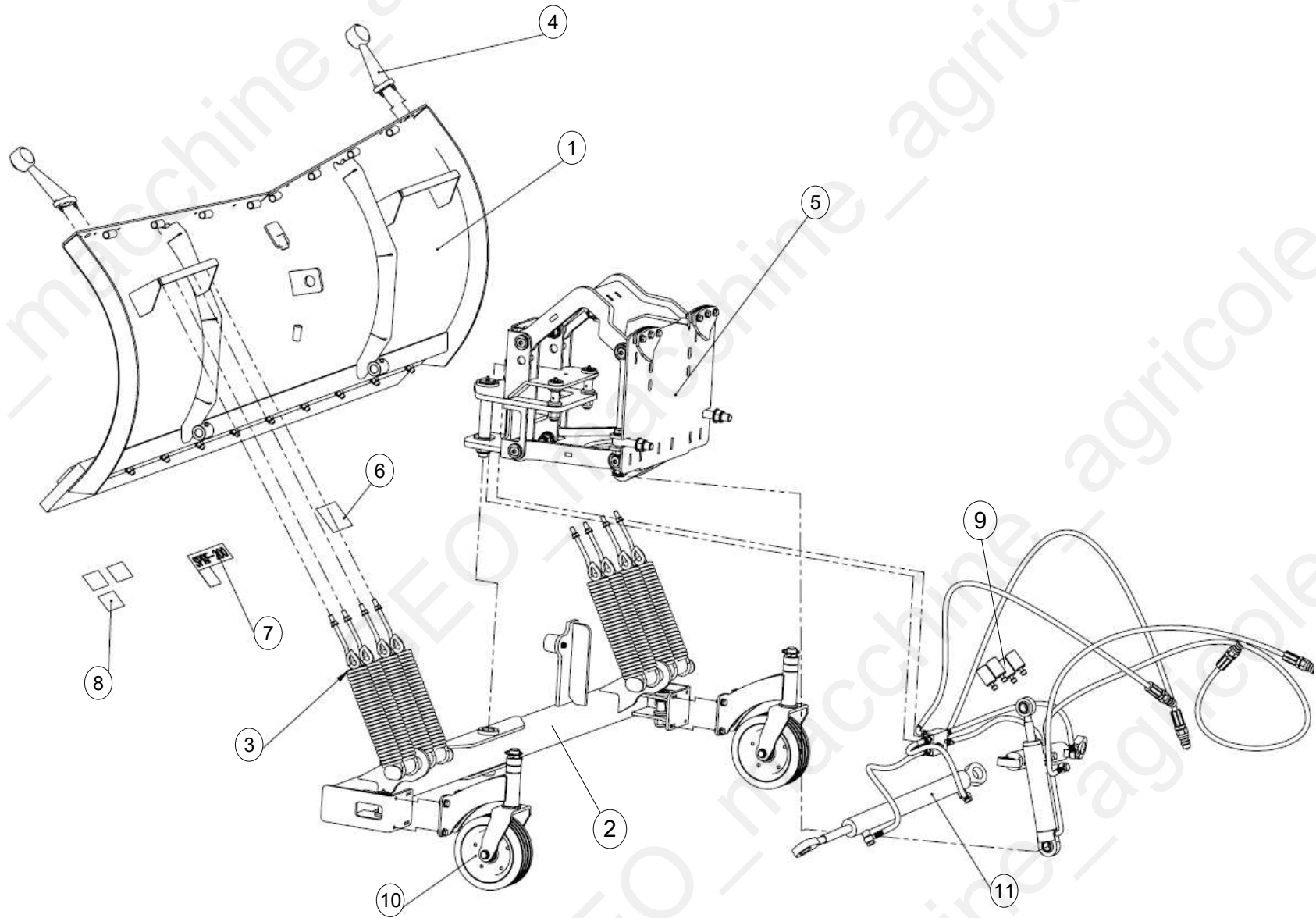


SPRF



Table of Contents

Tavola	Page
SPRF_parte 1	3
SPRF_parte 2	5
SPRF_parte 3	7
SPRF_parte 4	9
SPRF_parte 5	12
SPRF_parte 6	14
SPRF_parte 7	16
SPRF_parte 8	18

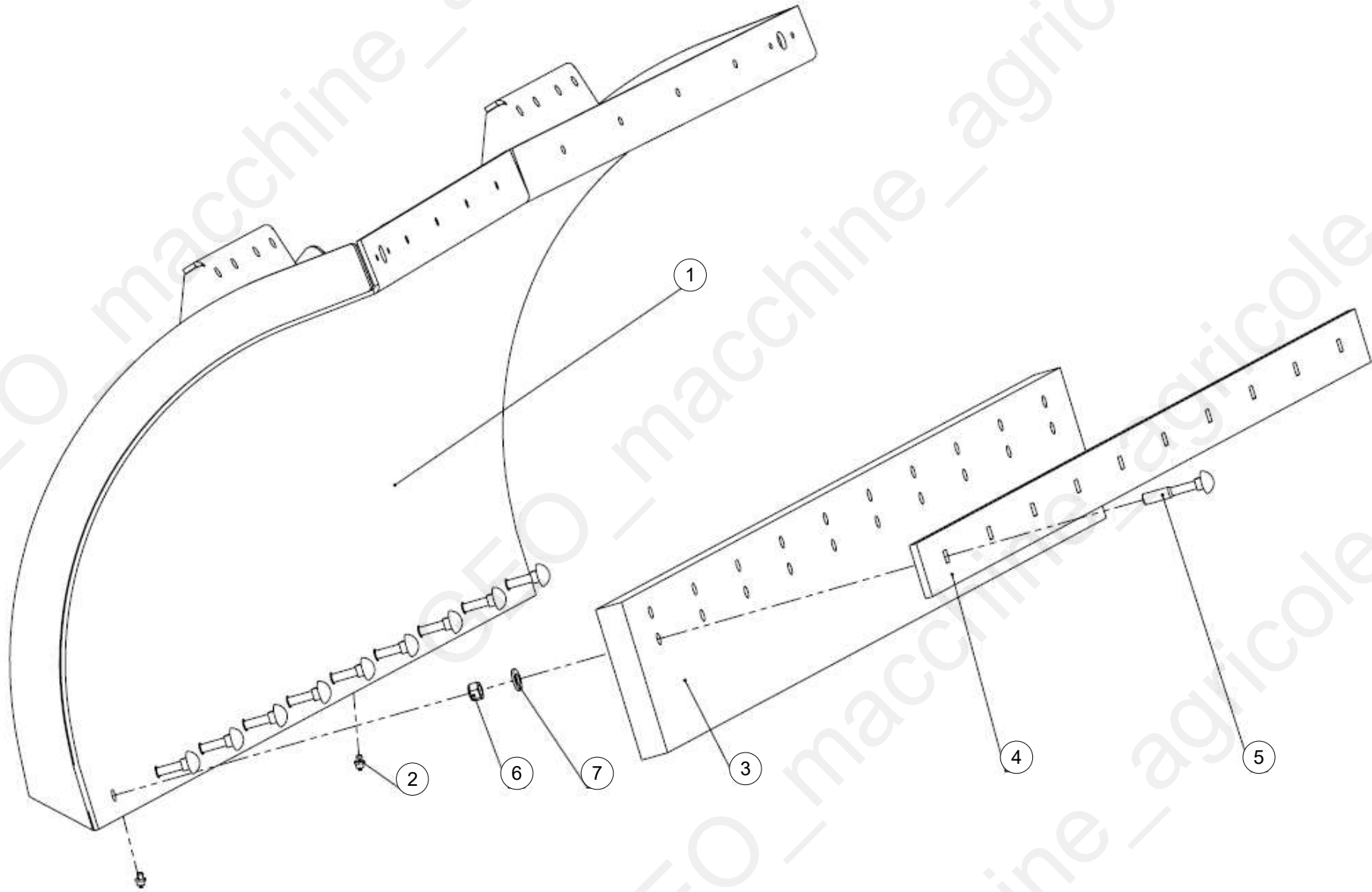


Machine: SPRF

Assembly: SPRF_parte 1



Pos	Code	Description	NOTE	Q.
6	R04001A41000-000	Nameplate components		1
7	R04001A43000-000	Special Decorative Component		1
8	R04001A42000-000	Universal Decorative Component		1
9	R04001A80000-000	Control Circuit Component		1

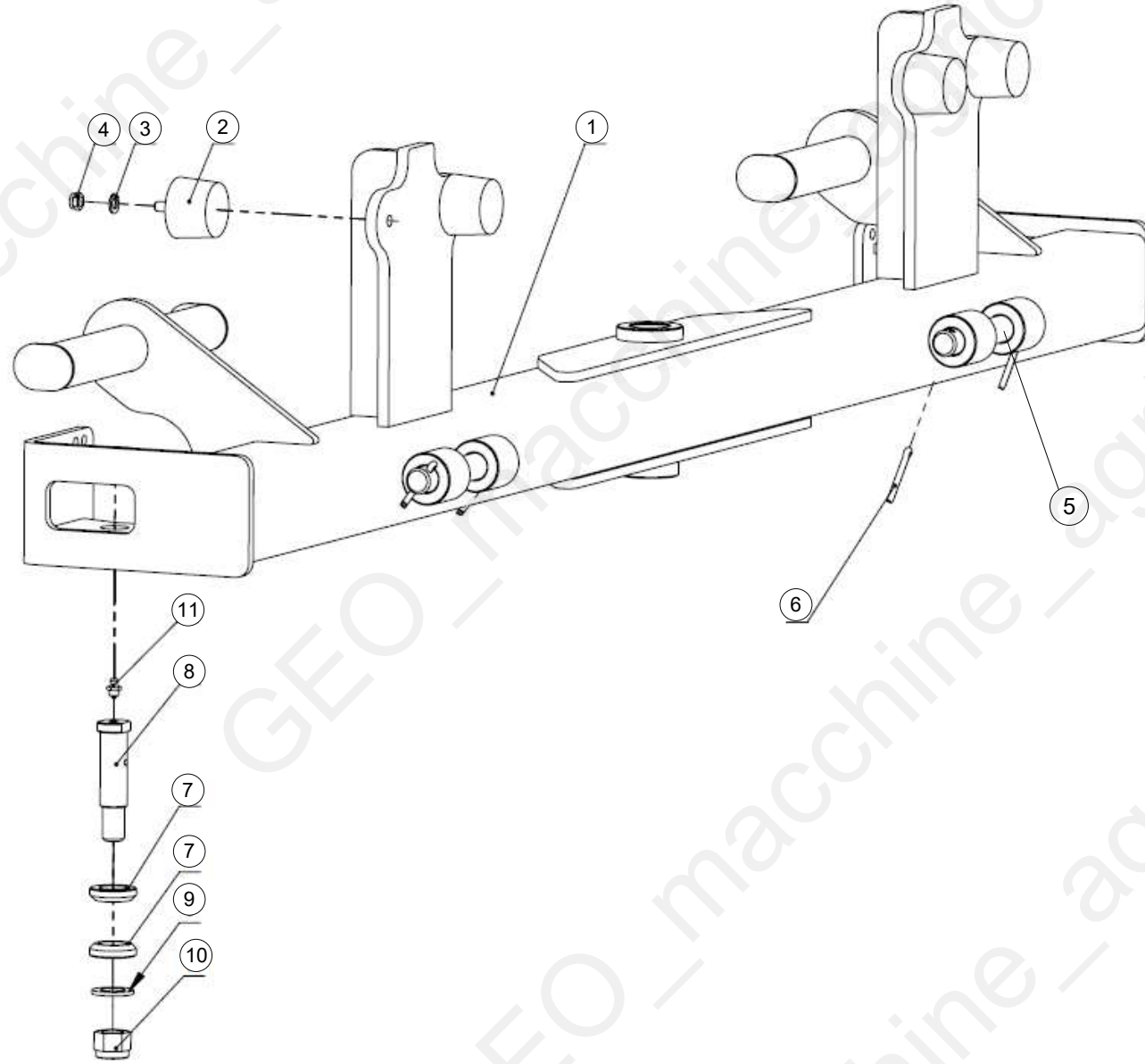


Machine: SPRF

Assembly: SPRF_parte 2



Pos	Code	Description	NOTE	Q.
1	R04001A01000-000.175	Main shovel assembly 175		1
1	R04001A01000-000.200	Main shovel assembly 200		1
1	R04001A01000-000.220	Main shovel assembly 220		1
1	R04001A01000-000.250	Main shovel assembly 250		1
2	JB/T7940.1-M8×1	Grease nipple		2
3	SPRF.000.175	SPRF Rubber plate 175		1
3	SPRF.000.200	SPRF Rubber plate 200		1
3	SPRF.000.220	SPRF Rubber plate 220		1
3	SPRF.000.250	SPRF Rubber plate 250		1
4	R04001A01000-001	Pressboard		1
5	GB/T12-M12×70-4.8	Cup head square neck boltS		10
6	GB/T889.1-M12-8EP.Zn	Locknut M12		10
7	GB/T95-12-EP.Zn	Plain washer		10

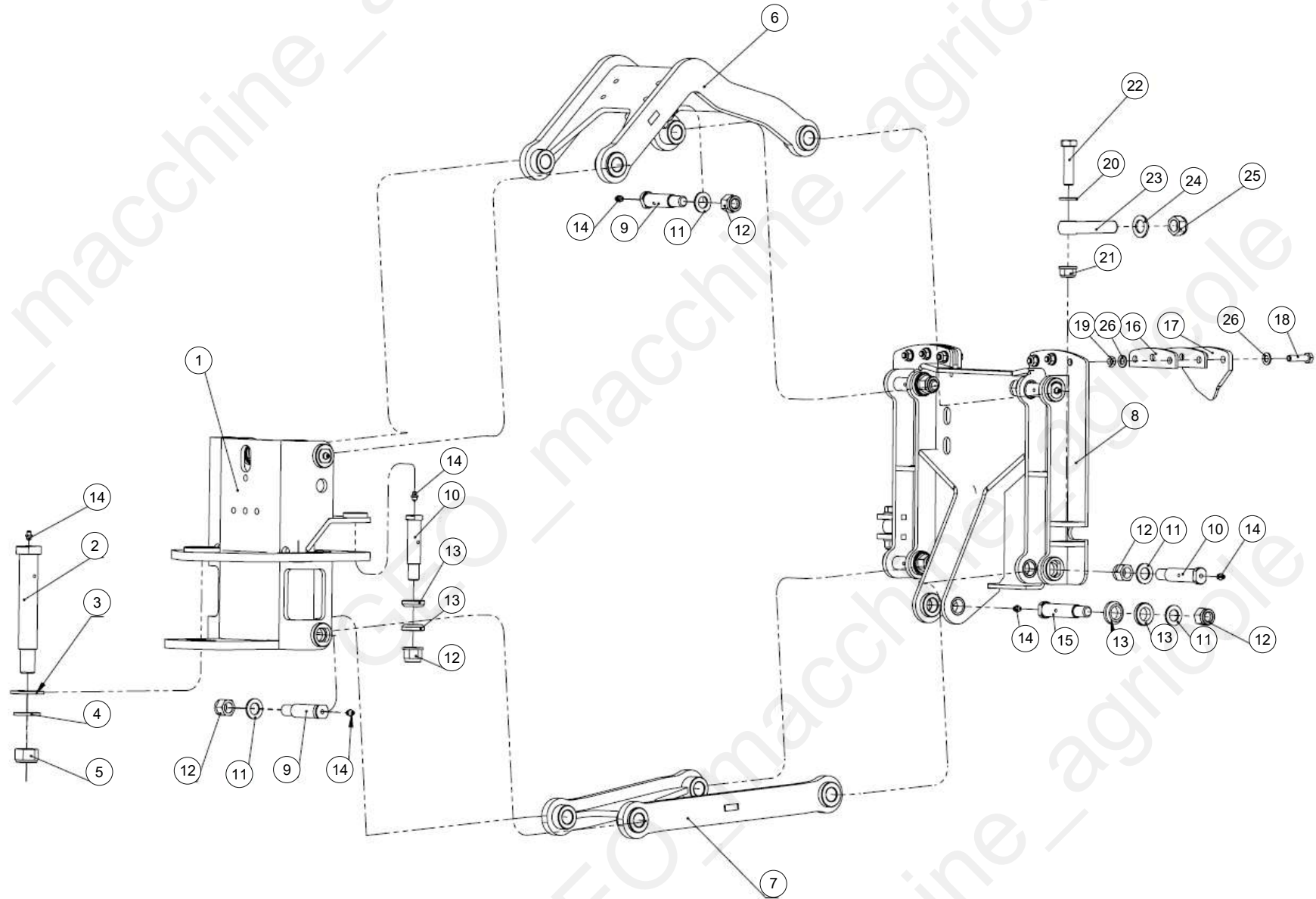


Machine: SPRF

Assembly: SPRF_parte 3



Pos	Code	Description	NOTE	Q.
1	R04001A02100-000	Beams welded joints		1
2	R04001A02000-004	Pipe Plug		4
3	GB/T95-8-EP.Zn	Plain washer 8		4
4	GB/T889.1-M8-8EP.Zn	Locknut		4
5	R04001A02000-002	Connecting pin shaft		2
6	GB/T91-5×35	Split pin		4
7	R04001A02000-003	Cushion Cover		4
8	R04001A02000-001	Pin four		2
9	GB/T95-18-EP.Zn	Plain washer 18		2
10	GB/T889.1-M18-8EP.Zn	Locknut M18		2
11	JB/T7940.1-M8×1	Grease nipple		2



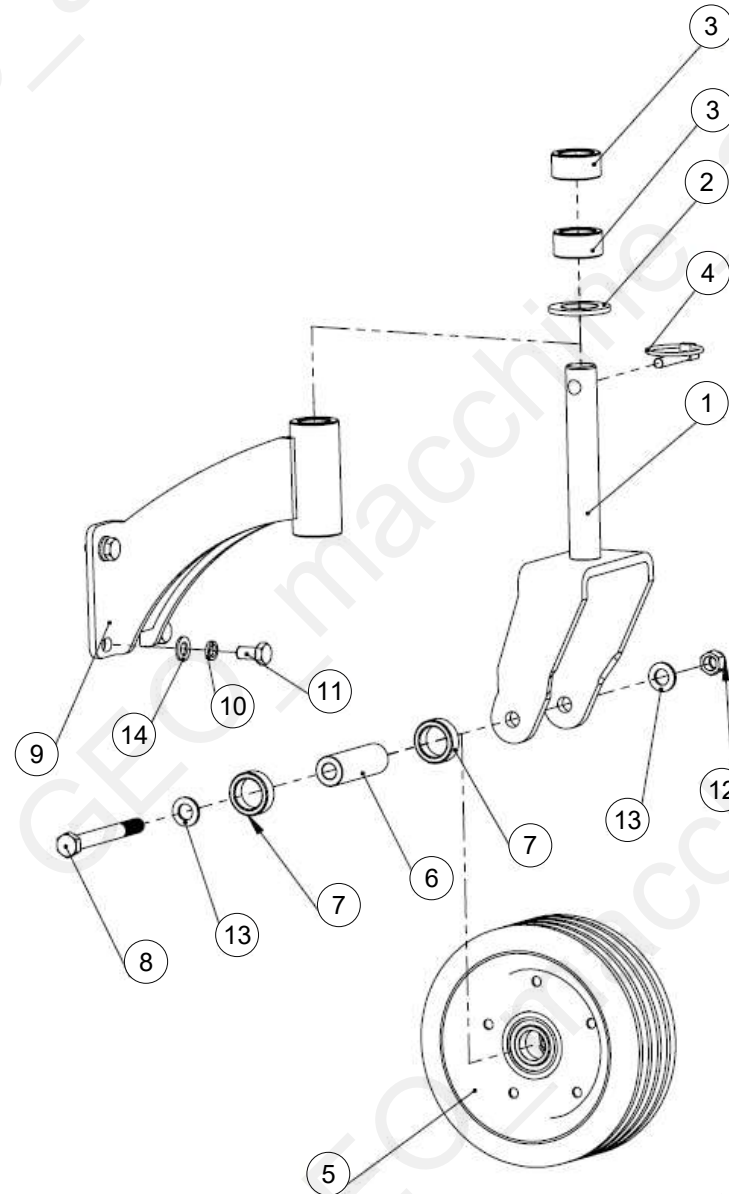
Pos	Code	Description	NOTE	Q.
1	R04001A03200-000	Front Bracket Welding Joints		1
2	R04001A03000-004	Pin two		1
3	GB/T95-30-EP.Zn	Plain washer		1
4	GB/T95-24-EP.Zn	Plain washer		1
5	GB/T889.1-M24-8EP.Zn	Locknut		1
6	R04001A03300-000	Welding fittings of upper bracket		1
7	R04001A03400-000	Welding fittings of lower bracket		1
8	R04001A03100-000	Rear bracket welded joint		1
9	R04001A02000-001	Pin four		5
10	R04001A03000-001	Pin shaft		6
11	GB/T95-18-EP.Zn	Plain washer 18		12
12	GB/T889.1-M18-8EP.Zn	Locknut M18		12
13	R04001A02000-003	Cushion Cover		6
14	JB/T7940.1-M8×1	Grease nipple		13
15	R04001A03000-005	Pin three		1
16	R04001A03000-002	Adjusting plate		4
17	R04001A03000-003	Locking plate		2
18	GB/T5783-M10×40-	Full-thread hexagon bolts		6
19	GB/T889.1-M10-8EP.Zn	Locknut		6
20	GB/T889.1-M16-8-EP.Zn	Locknut M16		4
21	GB/T889.1-M16	LOCK NUT M16		2
22	GB/T5783-M16×65-EP.Zn	Full-thread hexagon bolts M16x65		2
23	GB/T798-M20×100-4.6	Eyelet bolt M20x100		2
24	GB/T95-2002-20	Plain washer 20×3		2
25	GB/T889.1-M20	LOCK NUT M20		2

Machine: SPRF

Assembly: SPRF_parte 4



Pos	Code	Description	NOTE	Q.
26	GB/T95-10-EP.Zn	Plain washer		12

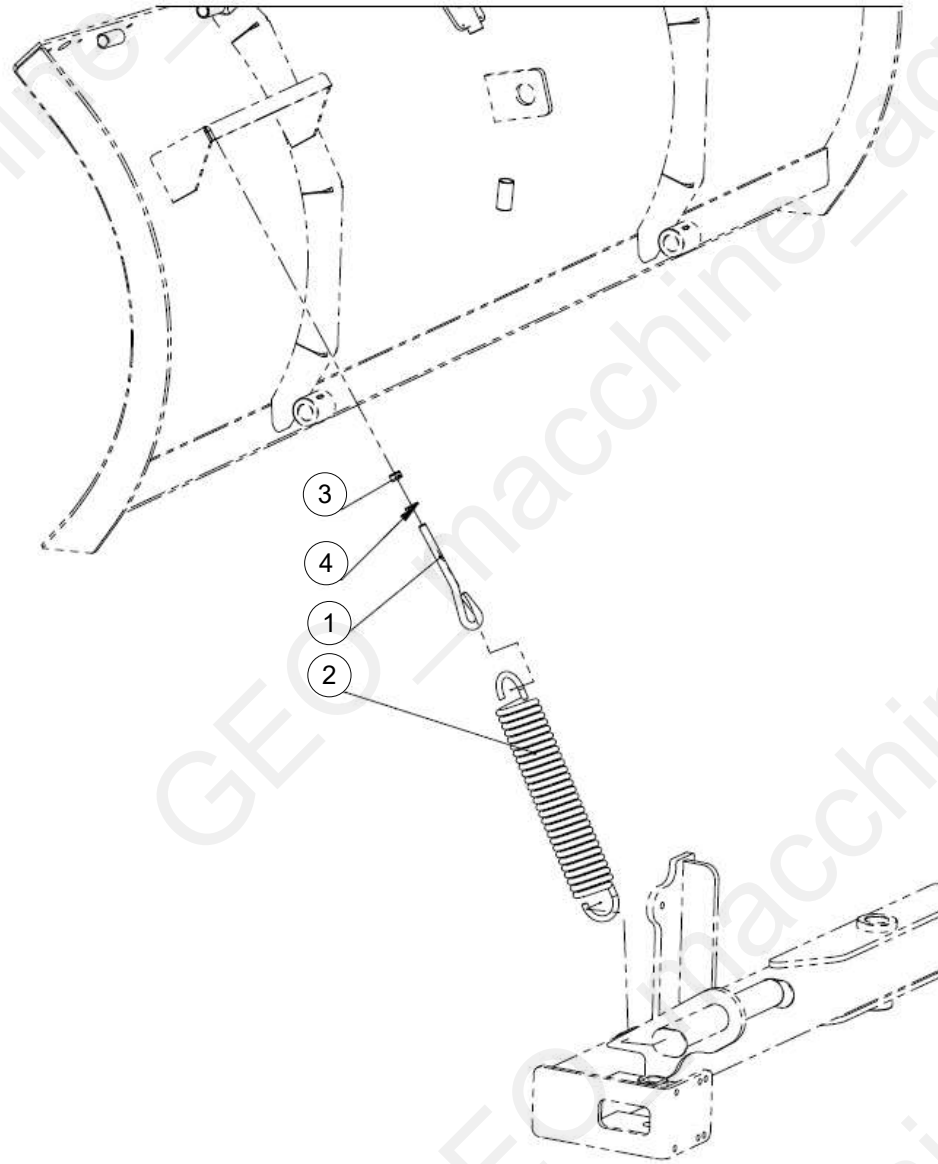


Machine: SPRF

Assembly: SPRF_parte 5



Pos	Code	Description	NOTE	Q.
1	R04001A04100-000	Fork welded joint		1
2	GB/T95-27-EP.Zn	Plain washer		1
3	R04001A04000-001	Adjusting spacer		2
4	GB/T4329-8-EP.Zn	Pin		1
5	8×3-6005ZZ	Vehicle wheel		1
6	R04001A04000-002	Wheel axle		1
7	R04001A04000-003	Rubber		2
8	GB/T5782-M12×110-8.8	Hexagon head bolts		1
9	R04001A04200-000	Fork support welded joint		1
10	GB/T93-10-EP.Zn	Spring washer		4
11	GB/T5783-M10×20-8.8	Full-thread hexagon bolts		4
12	GB/T889.1-M12-8EP.Zn	Locknut M12		1
13	GB/T95-12-EP.Zn	Plain washer		2
14	GB/T95-10-EP.Zn	Plain washer		4

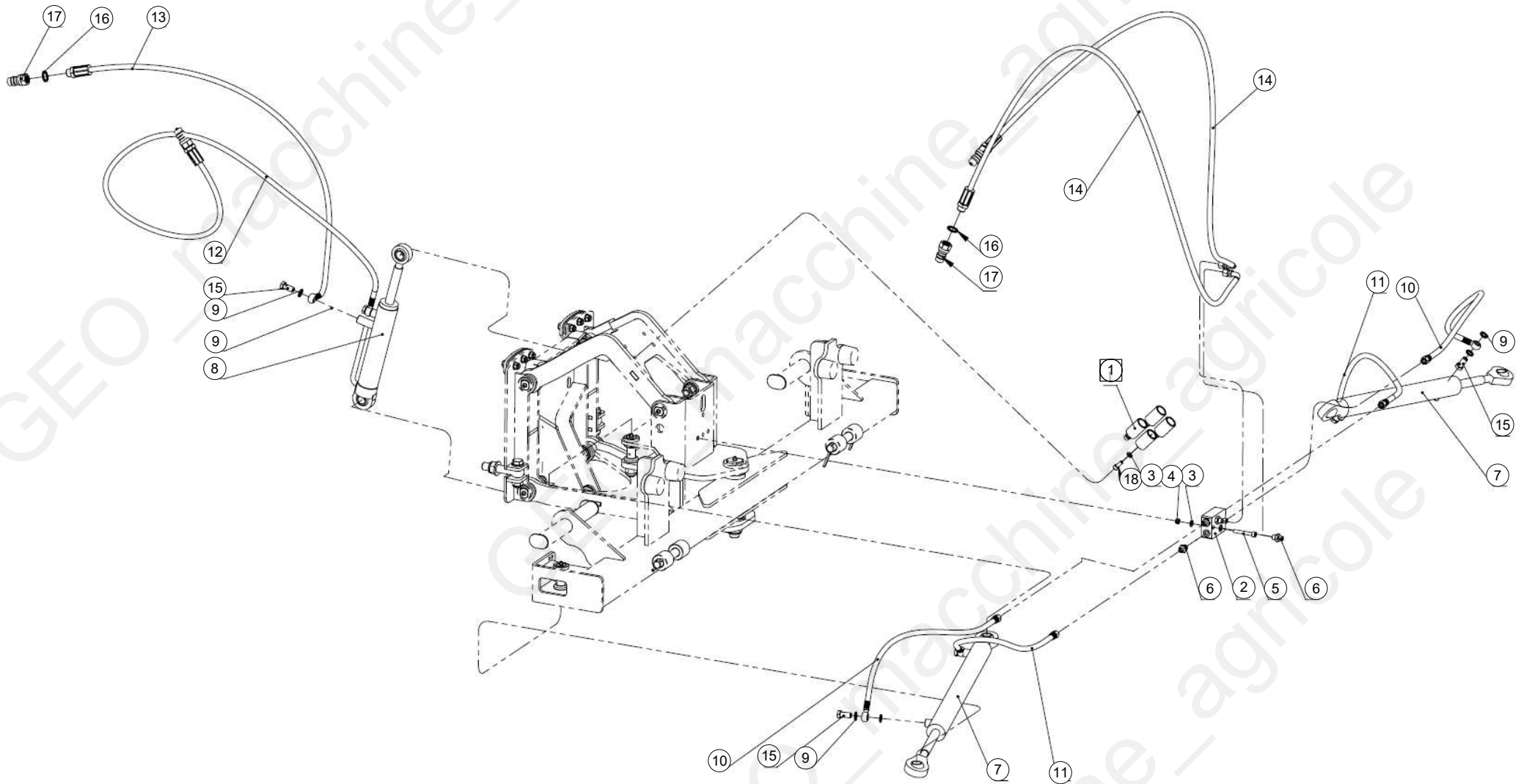


Machine: SPRF

Assembly: SPRF_parte 6



Pos	Code	Description	NOTE	Q.
1	R04001A05000-001	Anchor bolt		1
2	MT45003	Tension spring		1
3	GB/T889.1-M10-8EP.Zn	Locknut		1
4	GB/T95-10-EP.Zn	Plain washer		1

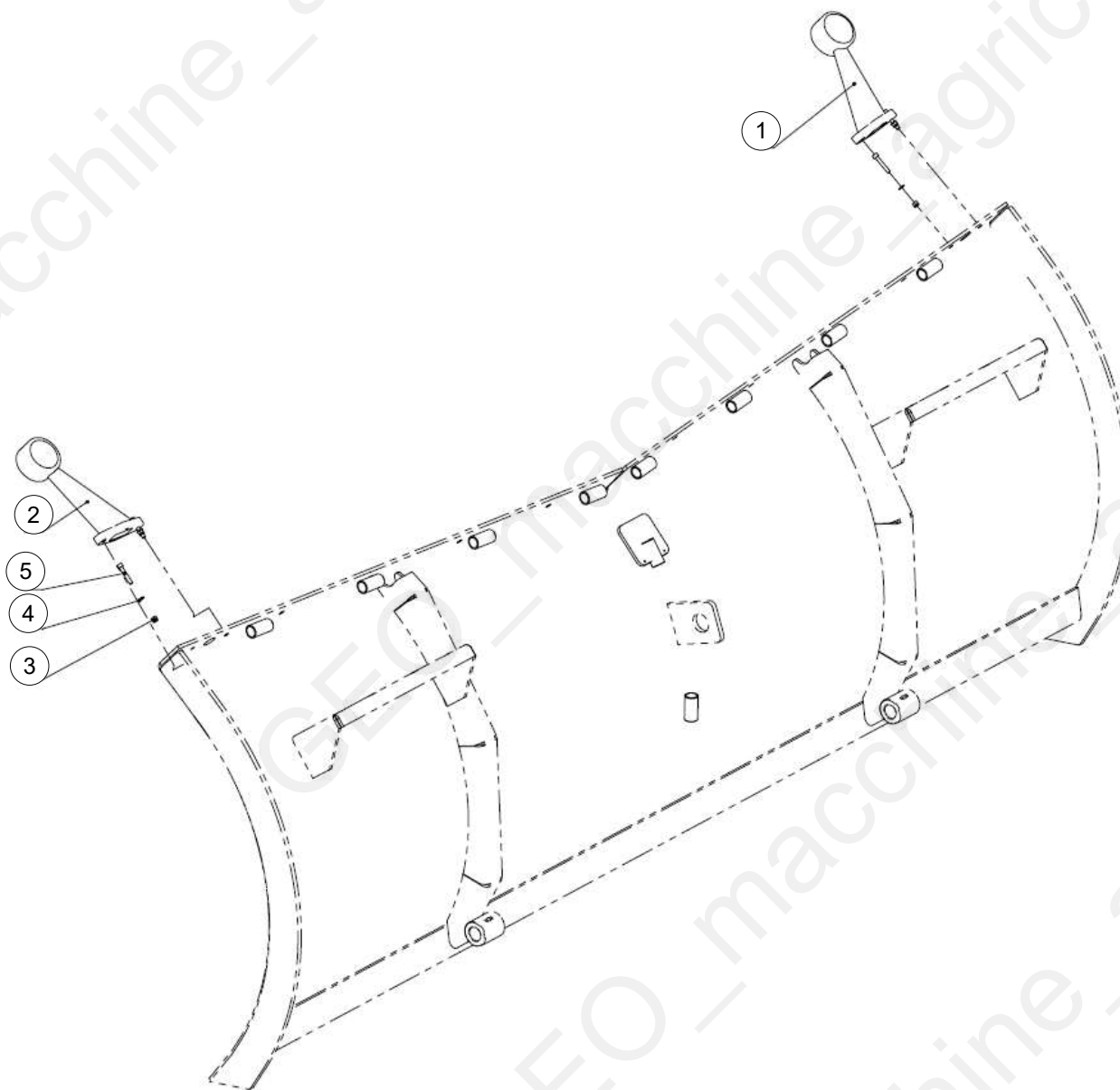


Machine: SPRF

Assembly: SPRF_parte 7



Pos	Code	Description	NOTE	Q.
1	LSQ-S1.MDC-1/2M	Rubber		4
2	R04001A55000-001	Hydraulic Valve		1
3	GB/T95-8-EP.Zn	Plain washer 8		6
4	GB/T889.1-M8-8-.EP.Zn	Locknut		2
5	GB/T70.1-M8×55-8.8	Hexagon socket head cap screws		2
6	K4-.GE04M12×1.5EDOM	Transition joints		6
7	CDL1MP5-40/22/245-DG1	Hydraulic cylinder		2
8	CDL1MP5-40/22/160-DG1	Hydraulic cylinder		1
9	BS/A-13.7×20.6×2	Combined sealing gaskets		12
10	1SN_M20513-04-04×650	Hose		2
11	1SN_M20513-04-04×600	Hose		2
12	1SN_M10610-04-08×4000	Hose		1
13	1SN_M10610-04-08×4100	Hose		1
14	1SN_M10610-04-08×4000	Hose		2
15	G1/4-28.5-6-22	Metric bolt		6
16	BS/A-21.5×28.6×2.5	Combined sealing gaskets		4
17	Q00211041A-08-08	Hollow bolt		4
18	GB/T70.1-M8×20-8.8	Hexagon socket head cap screws		4



Machine: SPRF

Assembly: SPRF_parte 8



Pos	Code	Description	NOTE	Q.
1	SD-4018(R)	Luminaire		1
2	SD-4018(L)	Luminaire		1
3	GB/T889.1-M5-8-EP.Zn	Locknut		4
4	GB/T95-5-EP.Zn	Plain washer		4
5	GB/T70.1-M5×30-8.8	Hexagon socket head cap screws		4