

Macchina

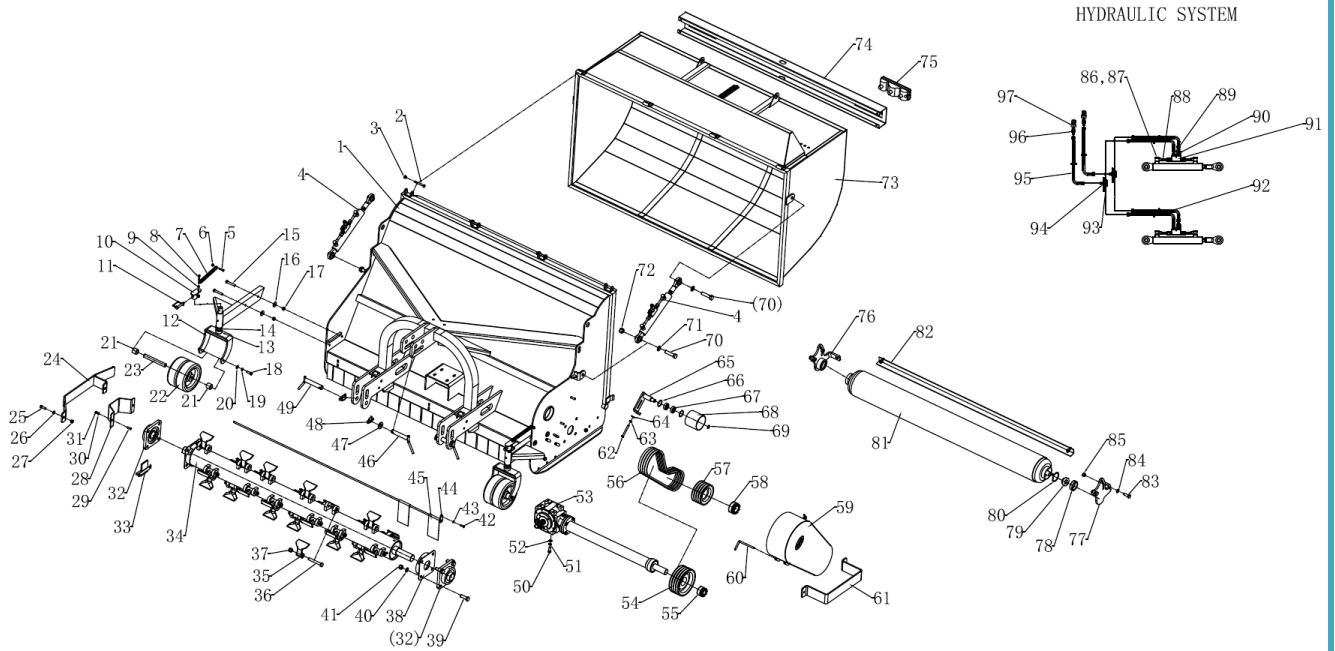
FLP180



Sezione

1

FLP180_part1



SerNo	PartNo	Description	Quantity
1	FLP180.011	Body Weldment	1
2	GB5782-M10x80	Bolt M10x80	4
3	GB889.1-M10	Lock Nut M10	4
4	FLP180.060	Cylinder	2
5	GB5783-M8x35	Bolt M8x35	2
6	GB889.1-M8	Lock Nut M8	4
7	FLP180.105	Spring	2
8	GB5783-M8x30	Bolt M8x30	2
9	GB6170-M8	Nut M8	2

10	FLP180.015	Connection Weldment	2
11	D-PIN-12x75	D Shape Lock Pin 12x75	2
12	FLP180.016/017	Wheel Frame	2
13	FLP180.103	Long Sleeve	2
14	FLP180.104	Short Sleeve	6
15	GB5782-M12x70	Bolt M12x70	4
16	GB96-12	Washer 12	4
17	GB889.1-M12	Lock Nut M12	4
18	GB5783-12x35	Bolt M12x35	4
19	GB93-12	Spring Washer 12	4
20	GB97.1-12	Washer 12	4
21	FLP180.106	Bush	4
22	FM150.030	Tire	4
23	FLP180.107	Shaft inside Tire	2
24	FLP180.021	Right Belt Cover Protector	1
25	GB5783-12x35	Bolt M12x35	4
26	GB97.1-12	Washer 12	4
27	GB889.1-M12	Lock Nut M12	4
28	FLP180.110	Cover Plate	1
29	GB5783-M8x25	Bolt M8x25	2
30	GB97.1-8	Washer 8	2
31	GB889.1-M8	Lock Nut M8	2
32	F90310	Bearing 90310	2
33	FLP180.026	Cover Weldment	1
34	FLP180.025	Blade Axle	1
35	FLP180.113	Hammer	24
36	GB5782-M16x110	Bolt M16x110	24
37	GB889.1-M16	Lock Nut M16	24
38	FLP180.024	Circlip Weldment	2
39	GB5783-M18x55	Bolt M18x55	8
40	GB97.1-18	Washer 18	8
41	GB889.1-M18	Lock Nut M18	8
42	GB5783-M8x25	Bolt M8x25	1
43	GB97.1-8	Washer 8	1
44	FLP180.013	Circlip Weldment	1
45	AG140.113	Fender	19
46	FLP180.019	Uppder Hanging Weldment	1
47	FLP180.109	Washer	2
48	LPIN 12	Lock Pin 12	3

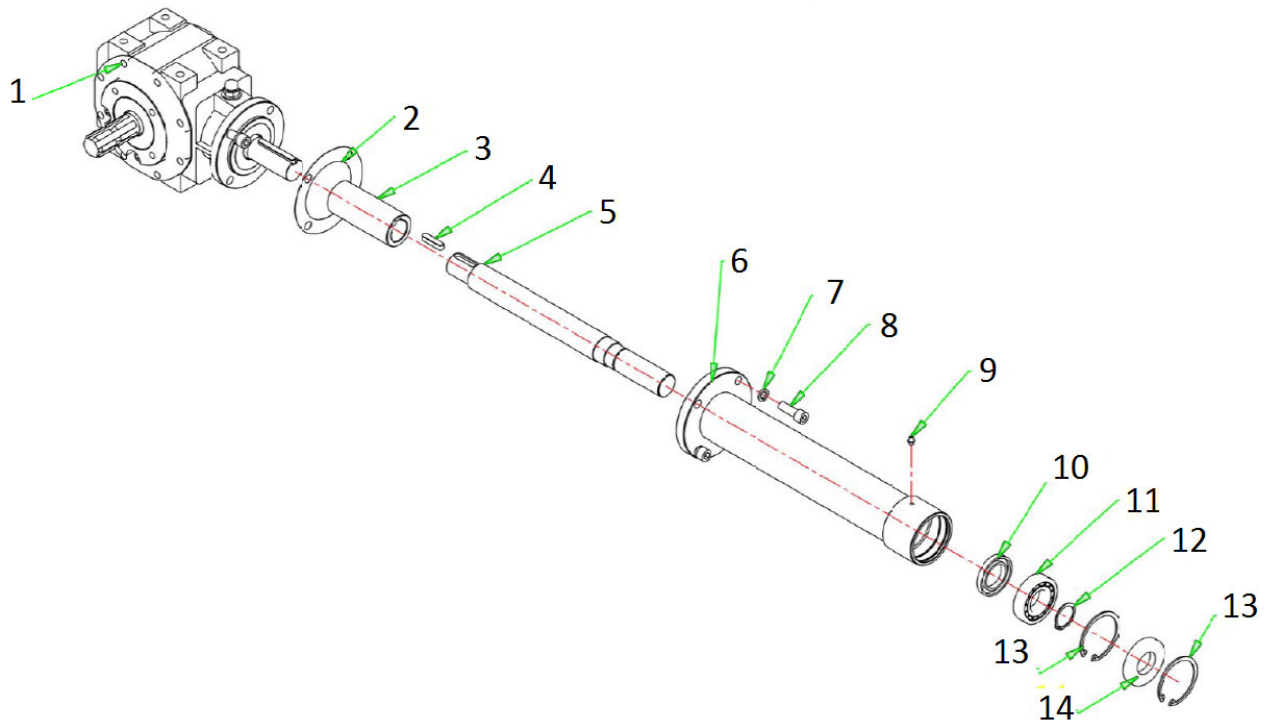
49	FLP180.018	Lower Hanging Weldment	2
50	GB5783-12x35	Bolt M12x35	4
51	GB93-12	Spring Washer 12	4
52	GB97.1-12	Washer 12	4
53	FLP180.004	Gearbox	1
54	FLP180.111	Big Pulley	1
55	REACH 04-4065	Swelable Sleeve 4065	1
56	GB11544	V Belt B1372	4
57	FLP180.112	Small Pulley	1
58	REACH 04-5080	Swelable Sleeve 5080	1
59	FLP180.020	Belt Cover Weldment	1
60	FLP180.102	Pin	1
61	FLP180.116	Left Belt Cover Protector	1
62	GB5783-M10x90	Bolt M10x90	1
63	GB96-10	Washer 10	1
64	GB6170-10	Nut M10	1
65	FLP180.023	Belt Tension Seat Weldment	1
66	GB893.1-47	Circlip 47	2
67	GB276-204	Bearing 204	2
68	FLP180.023	Belt Tension Seat Weldment	1
69	GB894.1-20	Circlip 20	1
70	GB5782-M20x80	Bolt M20x80	4
71	GB97.1-20	Washer 20	4
72	GB889.1-M20	Lock Nut M20	4
73	FLP180.012	Grass Collector Weldment	1
74	FLP180.117	Rear Light Seat	1
75	TL-401	Rear Light	2
76	FLP180.027	Left Tire Weldment	1
77	FLP180.028	Right Tire Weldment	1
78	FLP180.115	Bearing Seat	2
79	GB3882-90206	Bearing 90206	2
80	GB894.1-70	Circlip 70	2
81	FLP180.029	Roller	1
82	FLP180.114	Mud Shield	1
83	GB5783-M14x40	Bolt M14x40	4
84	GB97.1-14	Washer 14	4
85	GB889.1-M14	Lock Nut M14	4
86	GB3451-M16x30	Hydraulic Bolt M16x1.5x30	4
87	GB3451-16	Copper Washer 16	12

88	FLP180.061	Hydraulic Hoses	4
89	FLP180.601	Short Adapter	2
90	FLP180.602	Long Adapter	2
91	FLP180.005	Hydraulic Valve	2
92	FLP180.062	Wrap Pipe 1	4
93	FLP180.603	Tee Joint	2
94	GB6173-M14x1.5	Jam Nut M14x1.5	2
95	FLP180.063	Wrap Pipe 2	2
96	BV160.00.114	Adapter	2
97	QC-R1/2-M	Adapter R1/2 - M	2

Sezione

2

FLP180_part2



SerNo	PartNo	Description	Quantity
1	XH50.300Z.02	Gearbox Assy.	1
2	EFGC125.166	Paper Washer	1
3	EFGC125.167	Sleeve	1
4	GB1096-A10x40	Key A10x40	1
5	FLP180.401	Axle	1
6	FLP180.041	Axle Tube Weldment	1
7	GB93-12	Spring Washer 12	4

8	GB70-M12x35	Bolt M12x35	4
9	GB1152-M6	Grease Nipple M16	1
10	GB13871-45x70x8	Oil Seal FB45x70x8	1
11	GB276-6208	Bearing 6208	1
12	GB894.1-40	Axle Circlip 40	1
13	GB893.1-80	Hole Circlip 80	2
14	GB13871-40x80x10	Oil Seal FB40x80x10	1