

**TM**

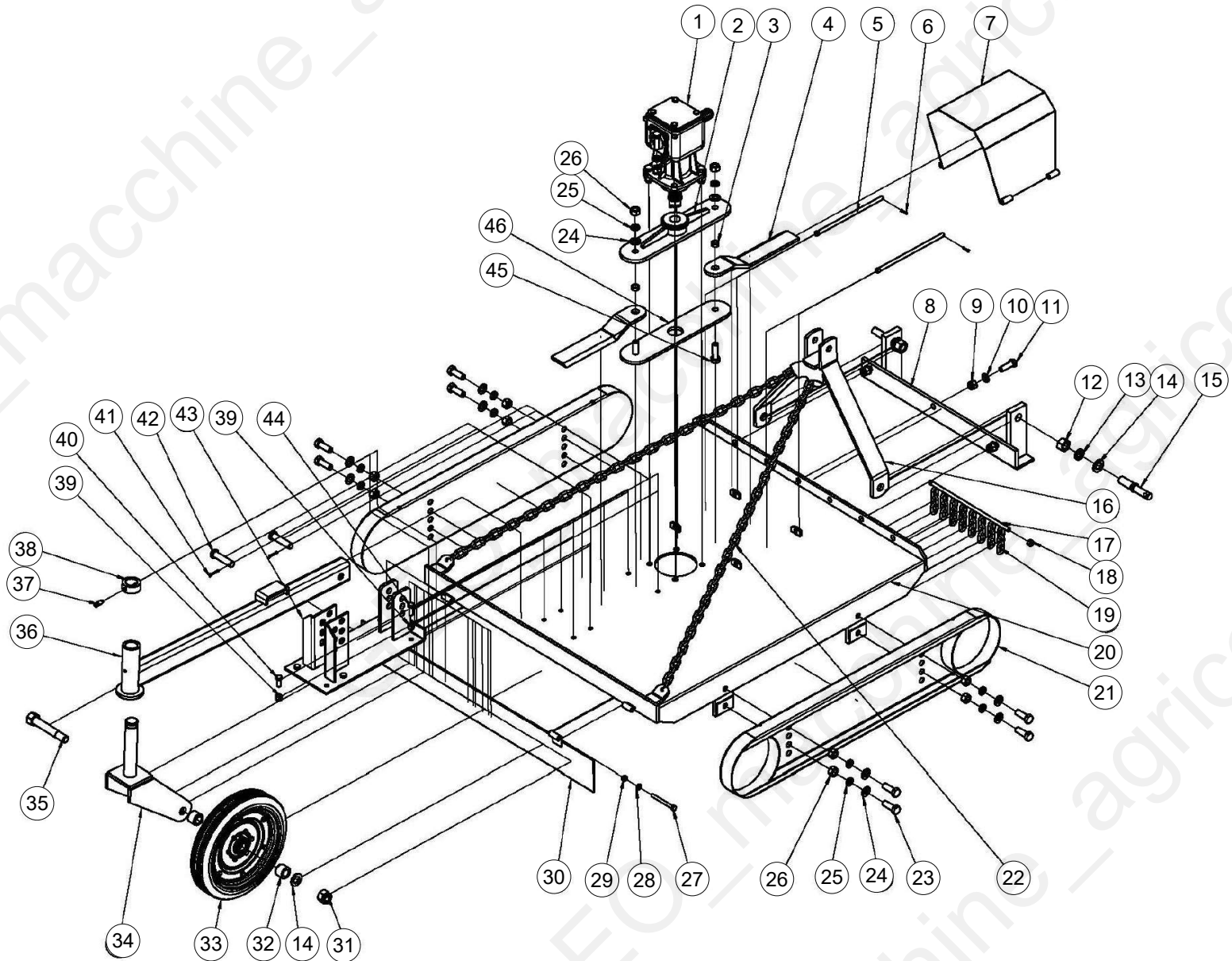


# Table of Contents

Tavola	Page
TM	3
TM_old	14

## TM





Machine: TM

Assembly: TM\_parte 1



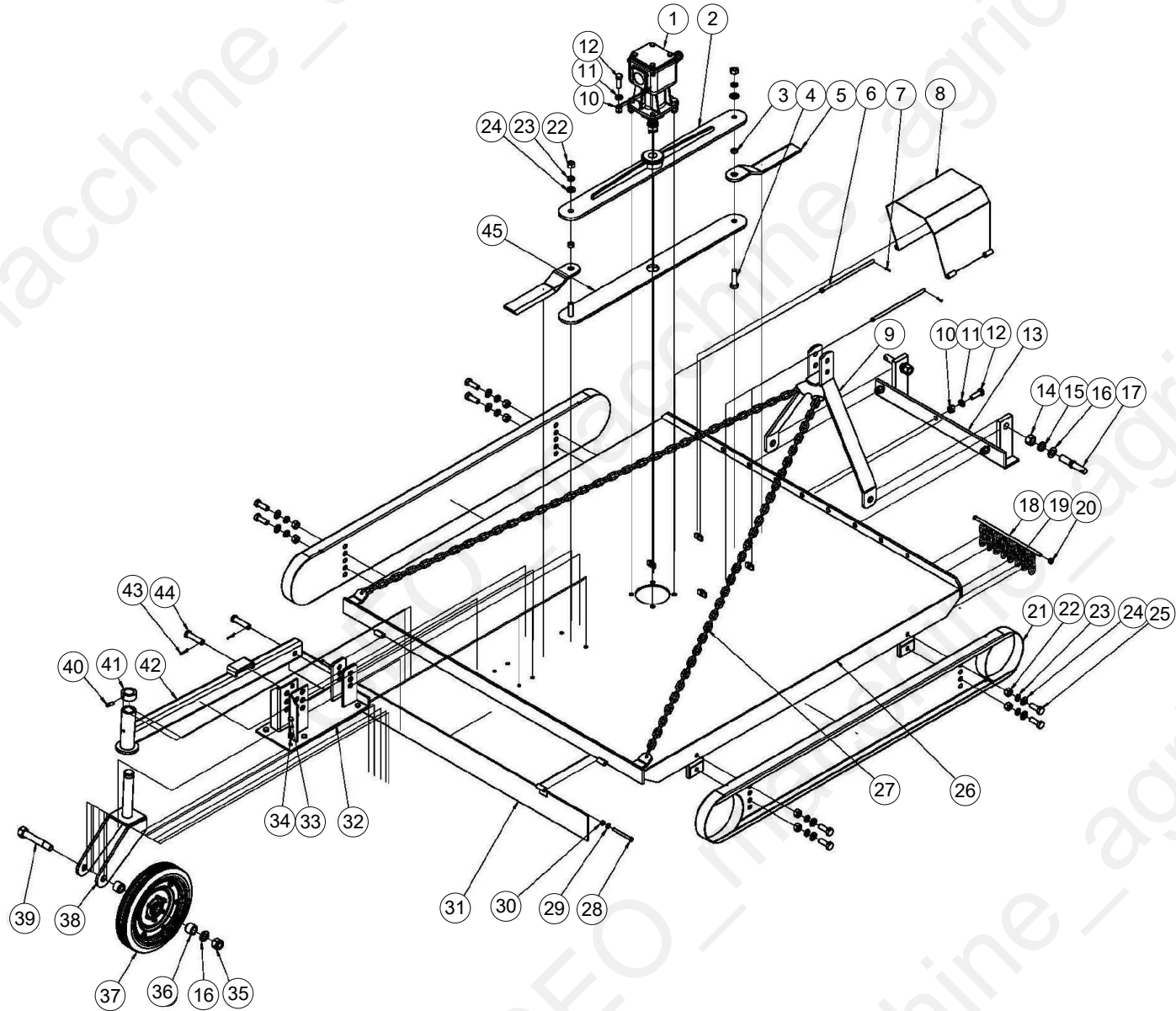
Pos	Code	Description	NOTE	Q.
1	XH30.192Z.01L	Gearbox TM		1
2	TM90.00.014	blade support frame		1
3	TM90.180	blade space bushing		2
4	SL140.00.108-1	(L=380) blade		2
5	SL140.00.112	pin rod		2
6	GB91-3.2x20	cotter pin 3.2x20		2
7	SL140.00.021	gear box cover		1
8	SL140.00.012-1	supporting structure		1
9	DIN985-M16	Locking Nut M16		7
10	GB97.1-16	Plain washer 16		7
11	GB5783-M16x50	Bolt M16x50		7
12	GB6170-M24	Nut 24		2
13	GB93-24	spring washer 24		2
14	GB97.1-24	Plain washer 24		3
15	SL140.00.109	Bolt Lower Pin		2
16	TM90.00.011	front support frame		1
17	SL140.00.101	chain rod		1
18	GB6170-M12	Nut 12		1
19	SL140.00.202	chain diam 8*3		8
20	TM110.00.013	hood		1
21	TM110.00.012	adjusting plate		2
22	TM110.00.030	chain		2
23	GB5783-M18x50	bolt M18x50		8
24	GB97.1-18	Plain washer 18		10
25	GB93-18	spring washer 18		10

Machine: TM

Assembly: TM\_parte 1



Pos	Code	Description	NOTE	Q.
26	GB6170-M18	Nut 18		10
27	GB5782-M10x100	Bolt M10x100		2
28	GB97.1-10	PLAIN WASHER 10		2
29	GB6170-M10	Nut 10		2
30	SL110.00.018	rear cover		1
31	DIN985-M24	nut m24		1
32	TM-AZW.110	outer space ring		2
33	TM-AZW.018	pulley		1
34	HM5FT.00.019	fork		1
35	TM-AZW.111	wheel shaft weldment		1
36	SL140.00.015	wheel support frame		1
37	GB85-M12x25	screw M12x25		1
38	HM5FT.00.208	Spacer ring		1
39	DIN985-M12	nut M12		6
40	GB5783-M12x30	Bolt M12X30		4
41	GB91-4x28	cotter pin 4x28		2
42	SL140.00.110	pin shaft		2
43	SL140.00.025	supporting frame		1
44	GB5783-M12x35	Bolt M12X35		2
45	TM90.182	bolt		2
46	TM90.00.015	bottom plate		1



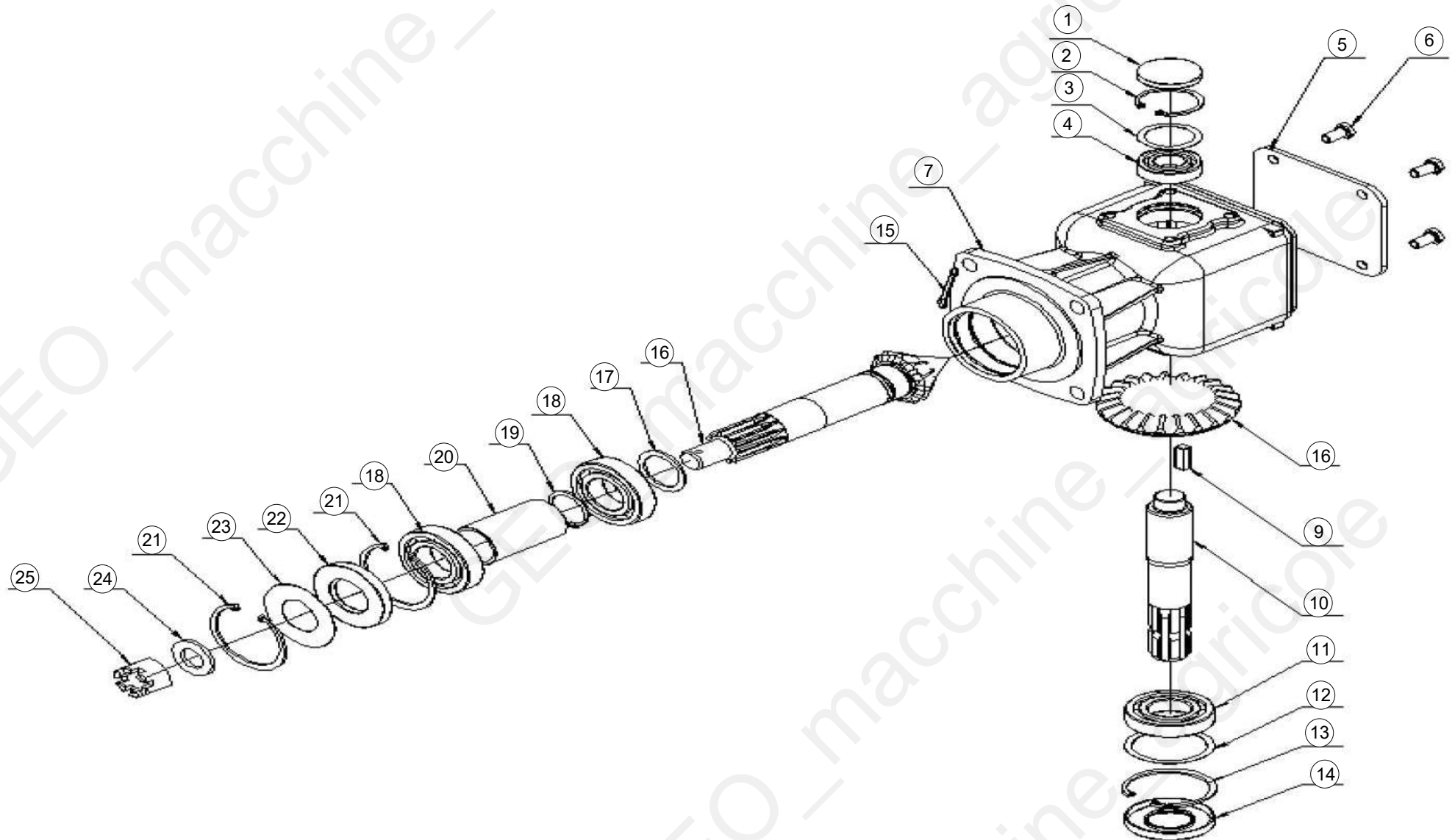
Pos	Code	Description	NOTE	Q.
1	XH30.192Z.01L	Gearbox TM		1
2	TM170.00.014	blade support		1
3	TM90.180	blade space bushing		2
4	GB5782-M18x70	bolt		2
5	SL140.00.108-1	(L=380) blade		2
6	SL140.00.112	pin rod		2
7	GB91-3.2x20	cotter pin 3.2x20		2
8	SL140.00.021	gear box cover		1
9	SL140.00.011	supporting structure		1
10	DIN985-M16	Locking Nut M16		7
11	GB97.1-16	Plain washer 16		7
12	GB5783-M16x50	Bolt M16x50		7
13	SL140.00.012-3	nut		1
14	GB6170-M24	Nut 24		2
15	GB93-24	spring washer 24		2
16	GB97.1-24	Plain washer 24		3
17	SL140.00.109	Bolt Lower Pin		2
18	SL140.00.101	chain rod		1
19	SL140.00.202	chain diam 8*3		8
20	GB6170-M12	Nut 12		1
21	TM170.00.012	adjusting plate		2
22	GB6170-M18	Nut 18		10
23	GB93-18	spring washer 18		10
24	GB97.1-18	Plain washer 18		10
25	GB5783-M18x50	bolt M18x50		8

Machine: TM

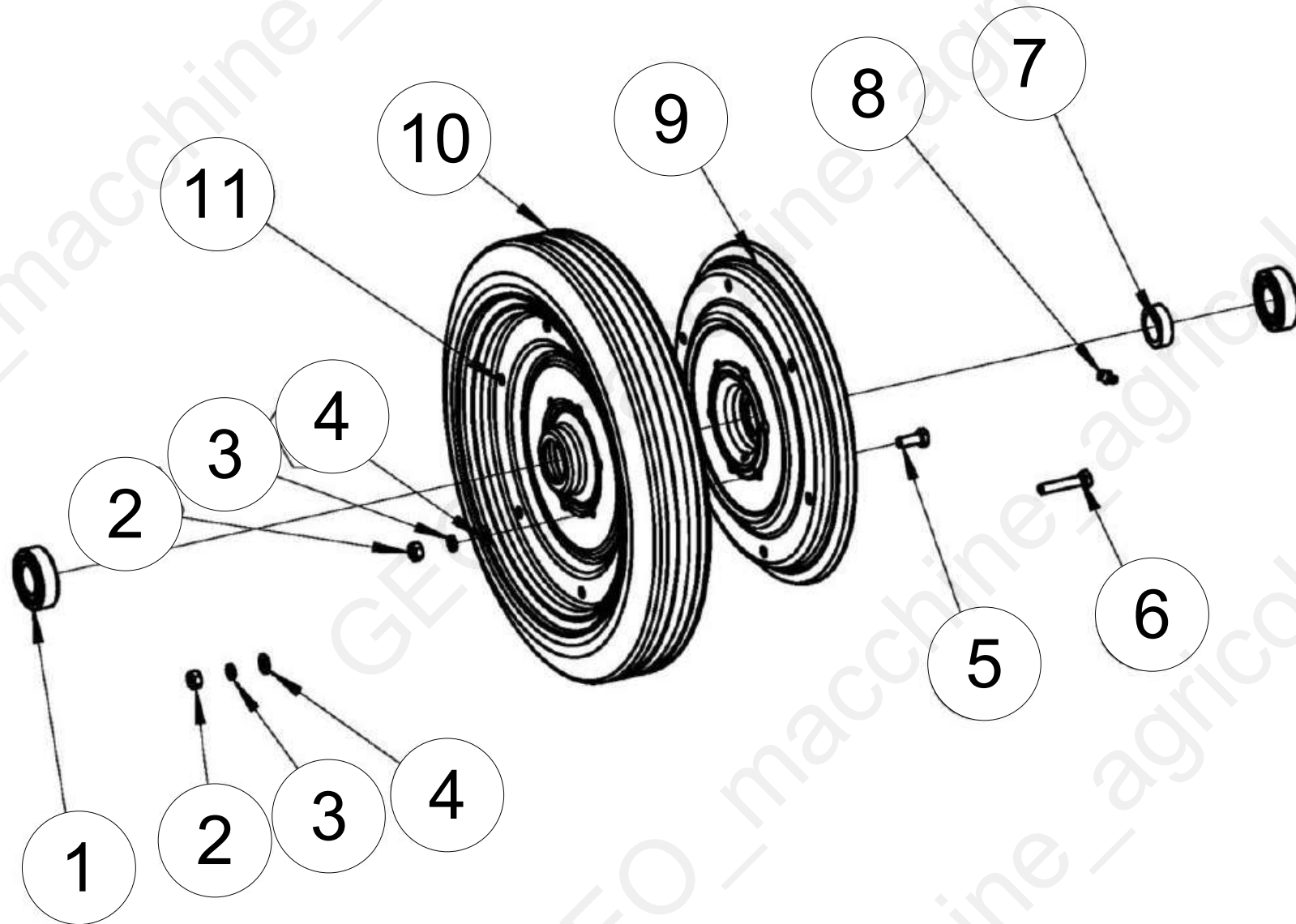
Assembly: TM\_parte 2



Pos	Code	Description	NOTE	Q.
26	TM170.00.013	hood		1
27	TM170.00.030	8*120 chain		2
28	GB5782-M10x100	Bolt M10x100		2
29	GB97.1-10	PLAIN WASHER 10		2
30	GB6170-M10	Nut 10		2
31	SL170.00.018	rear cover		1
32	SL140.00.025	supporting frame		1
33	GB5783-M12x30	Bolt M12X30		6
34	DIN985-M12	nut M12		6
35	DIN985-M24	nut m24		1
36	TM-AZW.110	outer space ring		2
37	TM-AZW.018	pulley		1
38	HM5FT.00.019	fork		1
39	TM-AZW.111	wheel shaft weldment		1
40	GB85-M12x25	screw M12x25		1
41	HM5FT.00.208	Spacer ring		1
42	SL140.00.015	wheel support frame		1
43	GB91-4x28	cotter pin 4x28		2
44	SL140.00.110	pin shaft		2
45	TM170.00.015	bottom plate		1



Pos	Code	Description	NOTE	Q.
1	NFG-RCA-52X7	block cap		1
2	GB893.1-52	check ring		1
3	TZDP-52-40-0.5	adjusting cushion		1
4	GB276-6205	deep groove ball bearing		1
5	FM120.C10	upper cover		1
6	GB5783-M10X20	Bolt M10x20		4
7	205SL.C04	box		1
9	GB1096-A-10x8x30	B10x8x30 spline		1
10	205SL.C08	input shaft		1
11	GB276-6207	Bearing 6207		1
12	TZDP-72-60-1	72x60x1 adjusting washer		1
13	GB893.1-72	Seeger ring 72		1
14	CFW-35X72X10	FB oil seal 35X72X10		1
15	GB91-5X50	cotter pin 5x50		1
16	205SL.C02	gear		1
17	TZDP-52-40-2	52x40x2 adjusting washer		1
18	GB276-6208	Bearing 6208		2
19	GB894.1-40	Check ring 40		1
20	205SL.C07	Bushing		1
21	GB893.1-80	Seeger ring 80		2
22	CFW-40X80X12	Oil seal 40X80X12		1
23	205SL.C03	80x40x1mm plate		1
24	GB97.1-24	Plain washer 24		1
25	205SL.C01	M24x2x27 nut		1



Machine: TM

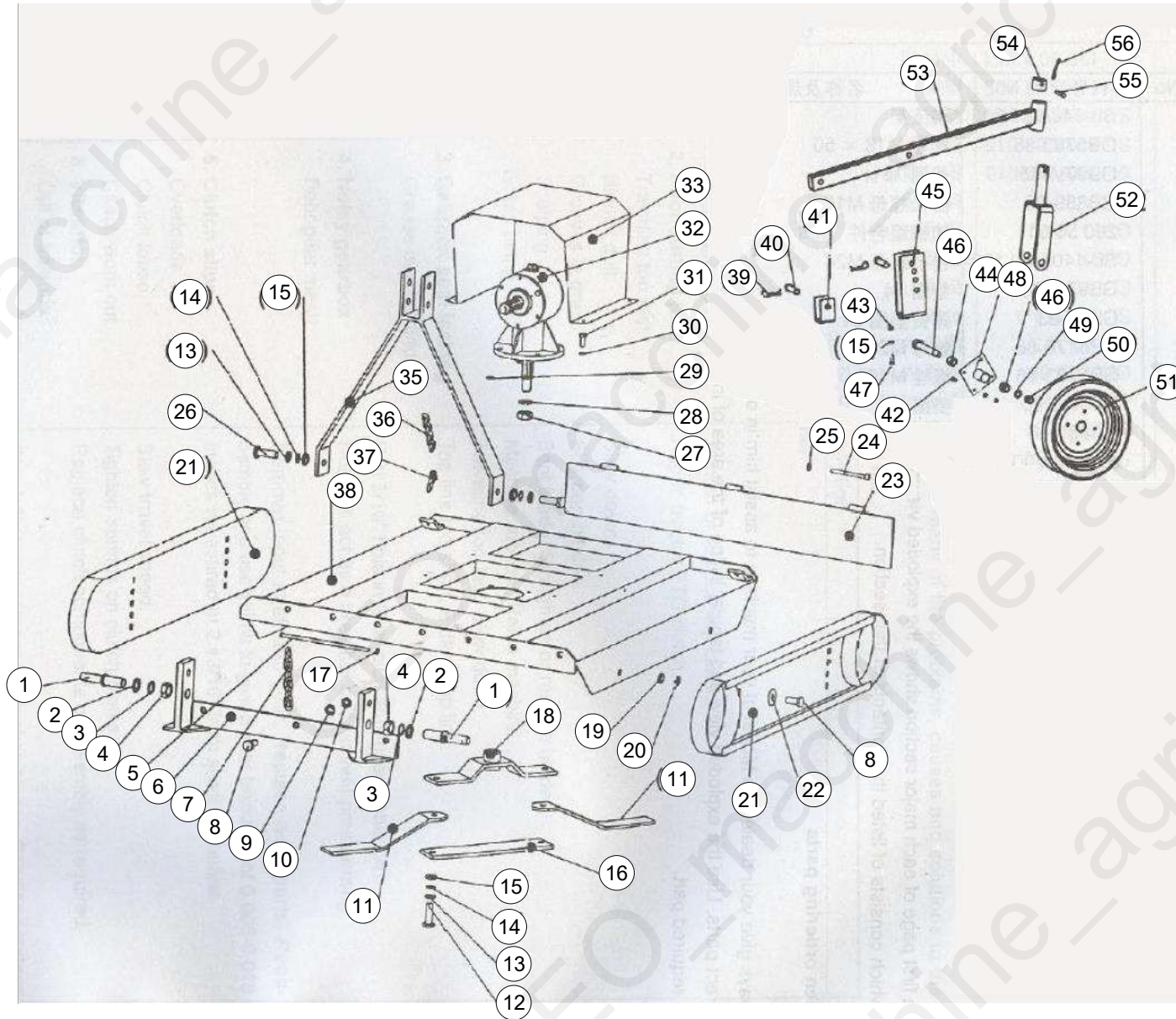
Assembly: TM\_parte 4



Pos	Code	Description	NOTE	Q.
1	6205.GB/T.276-94	deep groove ball bearing		2
2	GB6170-M8	Nut M8		12
3	GB93-8	Spring washer 8		12
4	GB97.1-8	Plain washer 8		12
5	GB5783-M8x20	bolt M8X20		6
6	GB5783-M8x40	bolt M8X40		6
7	TM-AZW.109	space ring		1
8	DIN71412-M8x1	oil nipple		1
9	TM-AZW.107A	steel ring		1
10	TM-AZW.108	Wheel		1
11	TM-AZW.107	steel rim		1

## TM\_old





Pos	Code	Description	NOTE	Q.
1	SL.110.120	Pin		2
2	G897.1-85	Plain washer 27		2
3	G893-87-27	Spring lock washer 27		2
4	GB6170-86-M27	Hex. nut M27		2
5	TMx.001.005	Rod		3
6	SL110.108	Bracket for front supporting		1
7	TMx.001.007	Protecting chain		9
8	GB5783.8	Hex head bolt Mi6 x 15		5
9	GB6170-86-M16	Nut M16		3
10	GB889-86-M6	Lock nut Mi6		3
11	TM120.00.118	Blade 120		2
11	TM140.00.118	Blade 140		0
11	TM170.00.118	Blade 170		0
12	SL110-113	Bolt		2
13	GB97.1-85/20	Plain washer 20		6
14	GB93-87-20	Spring lock washer 20		4
15	G86170-86-20	Hex. nut M20		4
16	SL110-132	Support for Blade		1
17	1G-150-01-142	R Pin		3
18	SL110-131	Blade seat		1
19	G86170-86-16	Plain washer 16		4
20	GB93-87-16	Spring lock washer 16		15
21	TM.120.109	Adjusting Board 120		2
21	TM140.109	Adjusting Board 140		0
21	TM170.109	Adjusting Board 170		0

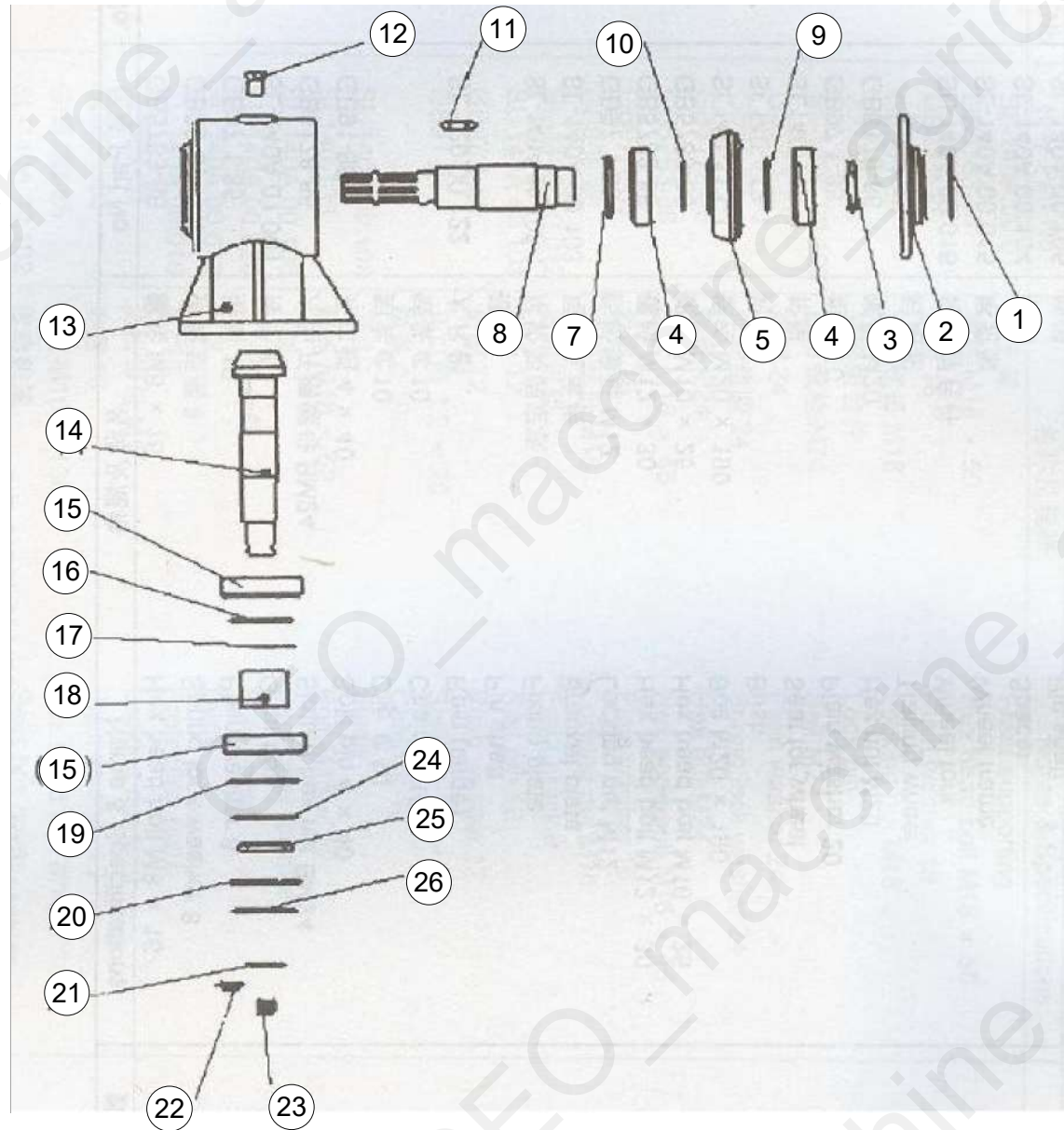
Pos	Code	Description	NOTE	Q.
22	G86170-86-16	Plain washer 16		4
23	TM120-121	Protecting plate 120		1
23	TM140-121	Protecting plate 140		0
23	TM170-121	Protecting plate 170		0
24	G870-85	Hex head blotM10 x 100		2
25	GB6170-86-M10	Nut M10		2
26	GB5783-86/M20x55	Hex head blot M20 x 55		2
27	GB6178-86	Six flange notch nut M27		1
28	GB97.1-85/24	Plain washer 24		1
29	GB91-86-4x40	Split pin 4 x 40		1
30	G893-87-8	Spring lock washer 8		4
31	G85783-86	Hex head blot Ma x 20		4
32	XH30.192Z.01L	Gearbox TM		1
33	SL110.109	Gear Box Cover		1
35	SL110.103	Front supporter		1
36	TMx.001.036	Chain It 8		1
37	TMx.001.037	Clip		2
38	TM120.110	Deck 120		1
38	TM140.110	Deck 140		0
38	TM170.110	Deck 170		0
39	SL.120.00.122	Rpin (large)		3
40	TMx.001.040	Pin shaft		2
41	SL-140A.00.103-1	Fixing plate		1
42	SL-140A.00.103	Bracket plate		1
43	GB97.1-85/M12	Locking nut M12		4

Machine: TM\_old

Assembly: Tmold\_parte 1



Pos	Code	Description	NOTE	Q.
44	GB5783-86/M12x30	Bolt M12x30		4
45	GB5783-86/M10x25	Bolt M10x25		4
46	SL.140-113-3	Bolt M20 x 190		1
47	SL140-113-1	Bush		2
48	SL.140-113	Seat for wheel		1
49	GB97..1-85	Plain washer 20		1
50	GB6170-86-M20	Nut M20		1
51	TMx.001.051	Trailing wheel		1
52	SL-140A.00.016	Wheel fork		1
53	SL-140A.00.015	Wheel frame		1
54	SL-140A.00.104	Spacer		1
55	SL-140A.00.105	Pin shaft		1
56	SL.120.00.122-1	Rpin (small)		1



Pos	Code	Description	NOTE	Q.
1	8.5.3.01057	Circlip SB125		1
2	0.135.1301.00	Upper cover		1
3	8.7.6.01058	O-ring seal		1
4	GBIT.276-94-6205	Bearing. 6205		1
5	0.135.5000.00	Input shaft		1
7	8.7.3.01172	Oil seal 35 x 52 x 7		1
8	0.135.2001.00	Input shaft		1
9	0.1.00.7500.00	Adjusting shim 25.6 x 35.3		1
10	0.259.7500.00	Adjusting shim 35.3 x 48		1
11	GB.1096-86-A10x30	Key A10 x 8 x 30		1
12	8.6.6.00201	Plug R1 3/8"		2
13	0.135.0301.00	Case		1
14	0.135.6008.00	Gear shaft		1
15	GBIT.276-94-6308	Bearing 6308		2
16	0.244.7500.00	Adjusting shim 49.3 x 51.5		1
17	8.5.1.00680	Circlip for shaft		1
18	0.135.7105.00	Spacer		1
19	8.5.2.00030	Seeger ring		1
20	1.135.7100.00	Gasket40A x 79.9 x i		1
21	8.3.2.00409	Washer 25 x 44 x 4		1
22	GB1T91-2000	Split pin B5 x 50		1
23	8.2.2.00515	Castle nut M24		1
24	8.5.3.00955	Circlip SB81		1
25	8.7.1.01171	Oilseal40x80x12		1
26	8.5.3.00955	Circlip SB81		1