

Macchina

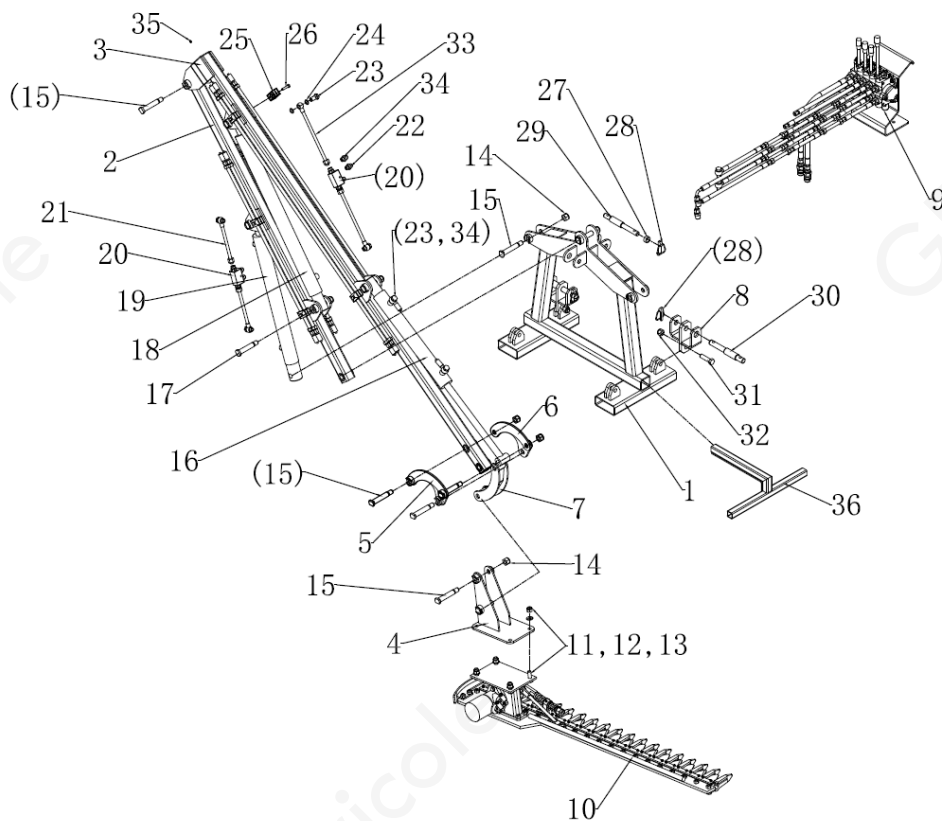
BRC



Sezione

1

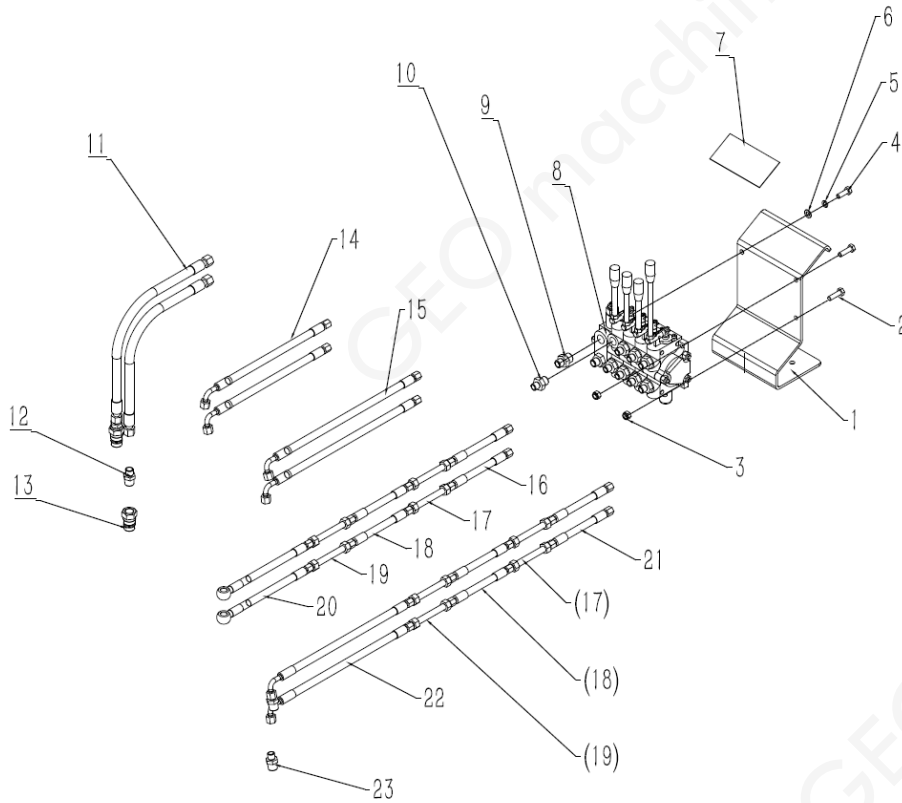
BRC\_part1



SerNo	PartNo	Description	Quantity
1	CRM150.011	Main Frame Weldment	1
2	CRM150.012	Stand Weldment	1
3	CRM150.013	Swing Weldment	1
4	CRM150.014	Connection Seat Weldment	1
5	CRM150.015	Left Connecting Weldment	1
6	CRM150.016	Right Connecting Weldment	1
7	CRM150.017	Middle Connecting Weldment	1
8	CRM150.018	Lower Hanging Weldment	1
9	CRM150.002	Hydraulic System	1

10	CH150.001	Sickle Bar Mower	1
11	GB5783-M14x40	Bolt M14x40	4
12	GB97.1-14	Washer 14	4
13	GB889.1-M14	Lock Nut M14	4
14	GB889.1-M18x1.5	Lock Nut M18x1.5	12
15	CRM150.101	Axle 127	8
16	CRM150.020	Reversal Cylinder	1
17	CRM150.102	Axle 118	4
18	CRM150.021	Swing Cylinder	1
19	CRM150.022	Stand Cylinder	1
20	FLP180.005	Valve	2
21	CRM150.023	Oil Hose 1	2
22	CRM150.103	Short Adapter 16-16	2
23	GB3451-M16x30	Hydraulic Bolt M16x1.5x30	6
24	GB3451-16	Copper Washer 16	12
25	TTP214	Clip	8
26	GB5783-M8x40	Bolt M8x40	8
27	CRM150.104	Sleeve	1
28	LP-12	Lock Pin 12	3
29	BH5.40.101	Upper Pin	1
30	BH5.40.108	Low Pin	2
31	GB5782-M16x60	Bolt M16x60	2
32	GB889.1-M16	Lock Nut M16	2
33	CRM150.024	Oil Hose 2	2
34	CRM150.105	Long Adapter 16-16	2
35	GB1152-M6	Grease Nipple M6	5
36	CRM150.019	Skidder	2

BRC\_part2



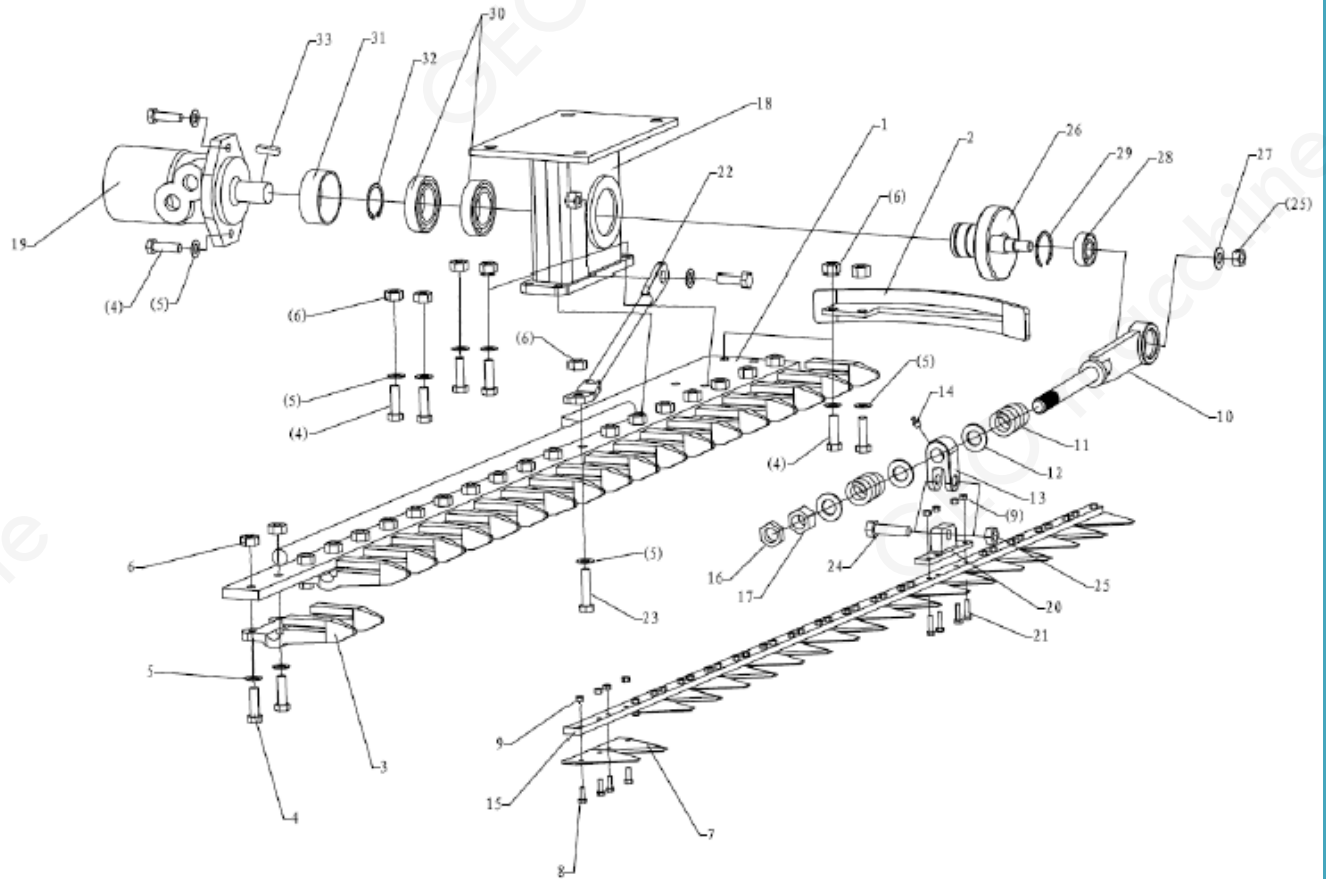
SerNo	PartNo	Description	Quantity
1	CRM150.201	Valve Seat	1
2	GB5783-M10x35	Bolt M10x35	2
3	GB889.1-M10	Lock Nut M10	2
4	GB5786-M10x1.25x30	Bolt M10x1.25x30	1
5	GB93-10	Spring Washer 10	1
6	GB97.1-10	Washer 10	1
7	CRM150.202	Lable	1
8	CRM150.003	Quadruple Multi-way Valve	1
9	CRM150.203	Valve-in Adapter	2
10	CRM150.204	Valve-out Adapter	8
11	CRM150.030	Valve-in Oil Hose	2
12	CRM150.205	Adapter R1/2-18	2
13	QC-R1/2-M	Adapter R1/2-M	2
14	CRM150.031	Stand Oil Hose	2
15	CRM150.032	Swing Oil Hose	2
16	CRM150.033	Swirl Oil Hose1	2
17	CRM150.034	Pipe 1	4
18	CRM150.035	Oil Hose	4
19	CRM150.036	Pipe 2	4

20	CRM150.037	Swirl Oil Hose2	2
21	CRM150.038	Motor Oil Hose 1	2
22	CRM150.039	Motor Oil Hose 2	2
23	CRM150.206	Adapter R1/2-16	2

Sezione

3

BRC-AMD\_part1



SerNo	PartNo	Description	Quantity
-------	--------	-------------	----------

1	CH150.011	Main frame	1
2	CH150.012	Skid	1
3	CH150.101	Knife protector	10
4	GB5783	Bolt M10X35	28
5	GB97.1	Washer 10	29
6	GB/T889.1	Locking nut M10	26
7	CH150.102	Knife	19
8	GB5783	Bolt M5X15	34
9	GB/T889.1	Locking nut M5	38
10	CH150.013	Connector	1
11	CH150.106	Spring	2
12	GB97.1	Washer 18	3
13	CH150.104	Block	1

14	GB1152	Grease nipple M6	1
15	CH150.105	Knife keeper	1
16	GB6172-86	Thin nut M18	1
17	GB6170-86	Nut M18	1
18	CH150.014	Bearing house	1
19	CH150.002	Hydraulic motor	1
20	CH150.103	Block	1
21	GB5783	Bolt M5X20	4
22	CH150.015	Supporter	1
23	GB5783	Bolt M10X45	1
24	GB5783	Bolt M12X45	1
25	GB/T889.1	Locking nut M12	2
26	CH150.016	Bent axle	1
27	GB97.1	Washer 12	1
28	GB/T276-1994	Bearing 6203	1
29	GB893.1-86	Hole ring 40	1
30	GB/T276-1994	Bearing 6008	2
31	CH150.107	Space bush	1
32	GB894.1-86	Shaft ring 40	1
33	GB/T1096-2003	Key 8X7X32	1