

Macchina

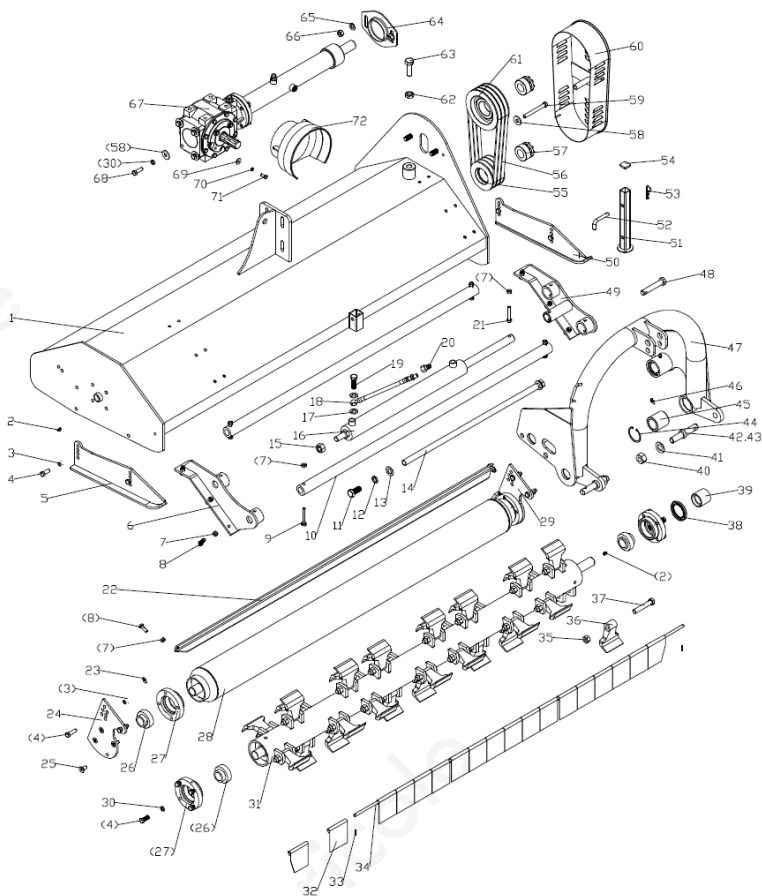
DP



Sezione

1

DP_MainAssembly

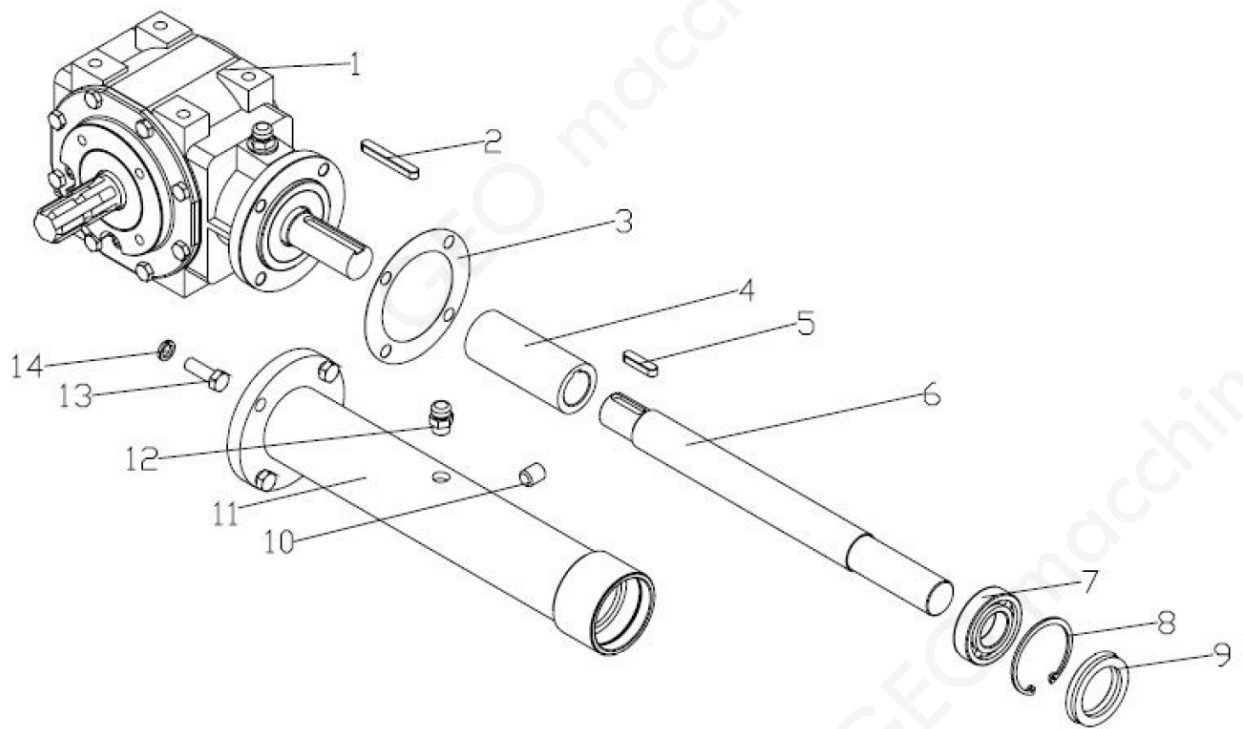


SerNo	PartNo	Description	Quantity
1,1	DP125.013	The cover weldment 125	1
1,2	DP155.013	The cover weldment 155	1
1,3	DP175.013	The cover weldment 175	1
1,4	DP205.013	The cover weldment 205	1
2	GB1152-89/M8X1	Oil cup M8X1	2
3	GB6184-86/M12	Locking nut M12	8
4	GB5783-86/M12X30	Bolt M12X30	16
5	DP175.015	Base plate (R)	1
6	DP175.021	Connecting bracket(L)	1

7	GB6184-86/M10	Locking nut M10	19
8	GB5783-86/M10X30	Bolt M10x30	14
9	GB5782-86/M10X70	Bolt M10x70	4
10	DP125.103	Guide rail	2
11	GB5783-86/M18X40	Bolt M18x40	2
12	GB93-87/18	Spring washer 18	2
13	GB97.1-85/18	Plain washer 18	2
14	DP175.101	Supporting tube	2
15	GB6184-86/M20	Locking nut M20	1
16	DP175.016	Slippage cylinder	1
17	GB3451-86/16	Washer 16	4
18	DP175.017	Oil pipe	2
19	GB3451/M16X1.5X30	Bolt M16X1.5X30	2
20	EFGCH125.013	Quick connector R1/2"	2
21	GB5782-86/M10X60	Bolt M10x60	1
22,1	DP125.102	Mud shield 125	1
22,2	DP155.102	Mud shield 155	1
22,3	DP175.102	Mud shield 175	1
22,4	DP205.102	Mud shield 205	1
23	JB/T7940.2-95/M6	Oil cup M6	2
24	DP175.018.01	Supporting for roller (L)	1
25	GB70.3-2000/M12X25	Hex.head bolt M12X25	8
26	UC207-Z	Flange UC207-Z	4
27	EFGC125.115	Bearing	4
28,1	DP125.020	Roller weldment 125	1
28,2	DP155.020	Roller weldment 155	1
28,3	DP175.020	Roller weldment 175	1
28,4	DP205.020	Roller weldment 205	1
29	DP175.019	Supporting for roller (R)	1
30	GB93-87/12	Spring washer 12	12
31,1	DP125.018	Blade axle weldment 125	1
31,2	DP155.018	Blade axle weldment 155	1
31,3	DP175.018	Blade axle weldment 175	1
31,4	DP205.018	Blade axle weldment 205	1
32	EFGC125.113	Fender	1
33	GB879-86/4X22	Elastic cylindrical pin 4x22	2
34,1	DP125.104	Shaft for fender 125	1
34,2	DP155.104	Shaft for fender 155	1
34,3	DP175.104	Shaft for fender 175	1

34,4	DP205.104	Shaft for fender 205	1
35	GB6184-86/M16X1.5	Locking nut M16X1.5	2
36	EFGC100.00.107	Hammer Ø 16 125	24
37	GB5785-2000/M16X1.5X90	Bolt M16X1.5X90 125	28
38	GB13871-94/55X80X8	Oil seal FB55X80X8	1
39	DP175.104	Oil-sealing sleeve	1
40	GB6184-86/M22X1.5	Locking nut M22X1.5	2
41	GB97.1-85/22	Plain washer 22	2
42	EFGCH125.103	Pin for lifting	2
43	EFGCH125.102	Lockpin	2
44	GB893.1-86/60	Circlip 60	4
45	EFGCH125.107	Nylon bush	4
46	GB1152-89/M6	Oil cup M6	4
47	DP175.011	Hanging weldment	1
48	EFGC125.123	Pin shaft	1
49	DP175.012	Connecting bracket(R)	1
50	DP175.014	Base plate (L)	1
51	EFGC125.111	Supporting frame	1
52	1G135.00.107	Bent pin	1
53	EFGC125.110	R pin	1
54	EFGC125.112	Cover	1
55	EFGC125.117A	Small belt ptlley	1
56	GB/T1154-97/SPB991	Strap SPB991	3
57	JB/T7934Z3/35X60	Swellable sleeve	2
58	GB96-85/12	Plain washer 12	5
59	GB5782-86/M12X120	Bolt M12X130	1
60	EFGC125.012	Belt cover	1
61	EFGC125.121A	Big belt ptlley	1
62	GB6173-86/M20x1.5	Nut M20x1.5	1
63	GB5786-86/M20X1.5X55	Bolt M20X1.5X55	1
64	EFGC125.120	Tension plate	1
65	GB97.1-85/14	Plain washer 14	2
66	GB6184-86/M14	Locking nut M14	2
67	DP175.022	Gearbox assembly	1
68	GB5783-86/M12X35	Bolt M12x35	4
69	GB96-85/8	Plain washer 8	4
70	GB93-87/8	Spring washer 8	4
71	GB5783-86/M8X20	Bolt M8x20	4
72	FM150.120	Guard shade	1

DP_GearboxAssembly

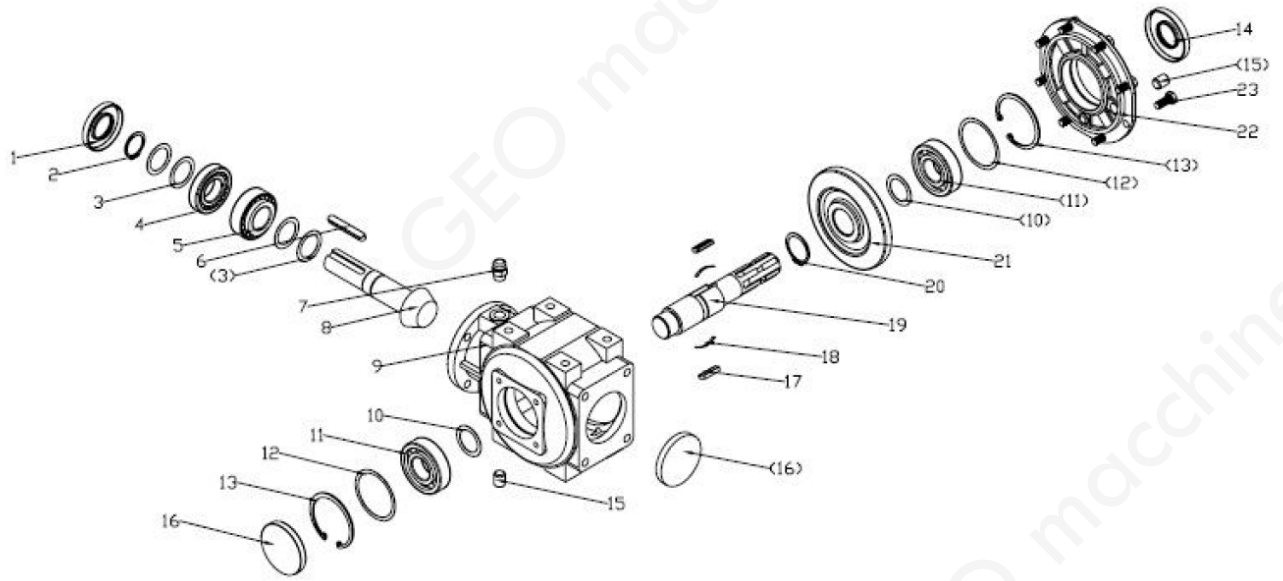


SerNo	PartNo	Description	Quantity
1	TS50.300Z.02	Gearbox assembly	1
2	GB1096-79/A10X70	Key A10X70	1
3	EFGC125.166	Paper gasket	1
4	EFGC125.167	Connected sleeve	1
5	GB1096-79/A10X40	Key A10X40	1
6,2	DP155.155	Shaft (155)	1
6,3	DP175.155	Shaft (175)	1
6,4	DP205.155	Shaft (205)	1
7	GB/T276-94/6207	Bearing 6207	1
8	GB893.1-86/72	Circlip 72	1
9	GB13871-94/35X72X10	Oil seal 35x72x10	1
10	ZBT 32001.3-87	Retainer	1
11,2	DP155.023	Shaft tube weldment (155)	1
11,3	DP175.023	Shaft tube weldment (175)	1
11,4	DP205.023	Shaft tube weldment (205)	1
12	EFGC125.169	Bolt of plug screw ZG3/8"-19	1
13	GB5783-86/M12X35	Bolt M12X35	4

Sezione

3

DP_Gearbox



SerNo	PartNo	Description	Quantity
1	GB9877.1-88/35X72X10	Oil seal 35×72×10	1
2	GB894.1-89/35	Circlips for shaft 35	1
3	TS50.300Z.01.110	Washer (S) 0.7	4
4	GB297-94/30207	Bearing 30207	1
5	GB297-94/32207	Bearing 32207	1
6	GB1096-79/10X65	Key 10X65	1
7	EFGC125.169	Bolt of plug screw ZG3/8"-19	1
8	TS50.300Z.01.111	Bevel gear shaft	1
9	TS50.300Z.01.101	Gearbox case	1
10	TS50.300Z.01.105	Washer (S) 1	2
11	GB/T276-94/6307	Bearing 6307	2
12	TS50.300Z.01.104	Washer (B) 0.7	2
13	GB893.1-86/80	Circlips for hole 80	2
14	GB9877.1-88/35X80X10	Oil seal 35×80×10	1
15	ZBT 32001.3-87	Retainer	1
16	TS50.300Z.01.106	Seal cover	2

17	TS50.300Z.01.108	Key	2
18	TS50.300Z.01.109	Spring	2
19	TS50.300Z.02.103	Pinion shaft	1
20	GB894.1-89/42	Circlips for shaft 42	1
21	TS50.300Z.01.107	Bevel gear	1
22	TS50.300Z.01.102	Gearbox cover	1
23	GB5783-86/M10X25	Bolt M18x40	8