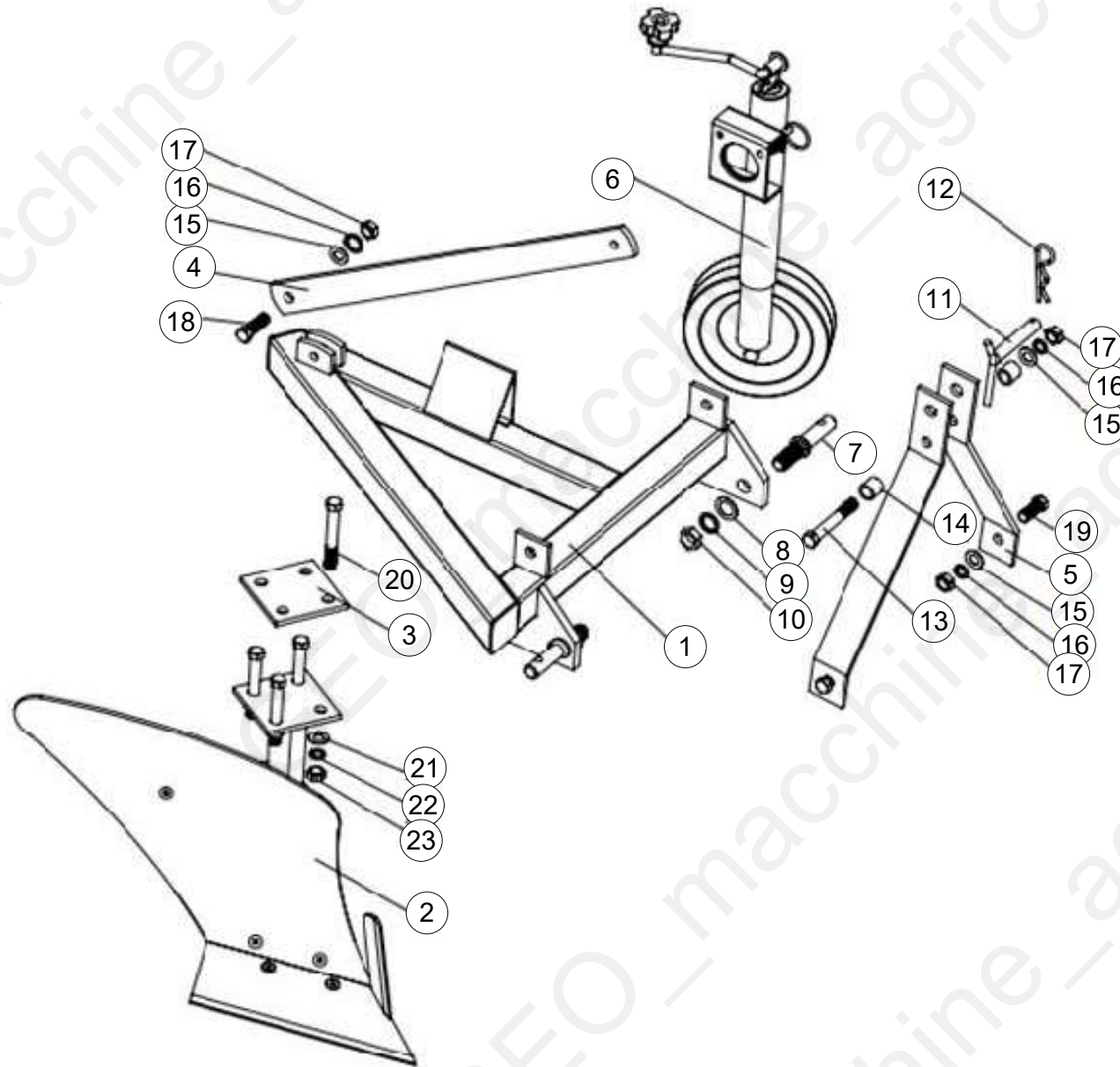


FP1



Table of Contents

Tavola	Page
FP1	3



Machine: FP1

Assembly: FP1



Pos	Code	Description	NOTE	Q.
1	FP1.00.001	Main Frame Weldment		1
2	FP1.00.002	Blade assembly		1
3	FP1.00.003	Plate		1
4	FP1.00.004	Bar		1
5	FP1.00.005	Strap Toplink		2
6	FP1.00.006	Adjustable Jack with		1
7	FP1.00.007	Pin F22X137		2
8	FP1.00.008	Flash Washer M22		2
9	FP1.00.009	Spring Washer M22		2
10	FP1.00.010	Nut M22		2
11	FP1.00.011	Pin F19X100		1
12	FP1.00.012	Clip pin		1
13	FP1.00.013	Bolt M 16X110		1
14	FP1.00.014	Sleeve		2
15	FP1.00.015	Flash Washer M16		3
16	FP1.00.016	Spring Washer M16		3
17	FP1.00.017	Nut M16		3
18	FP1.00.018	Bolt M16x50		1
19	FP1.00.019	Bolt M16x45		2
20	FP1.00.020	Bolt M12X110		4
21	FP1.00.021	Flash Washer M12		4
22	FP1.00.022	Spring Washer M12		4
23	FP1.00.023	Nut M12		4