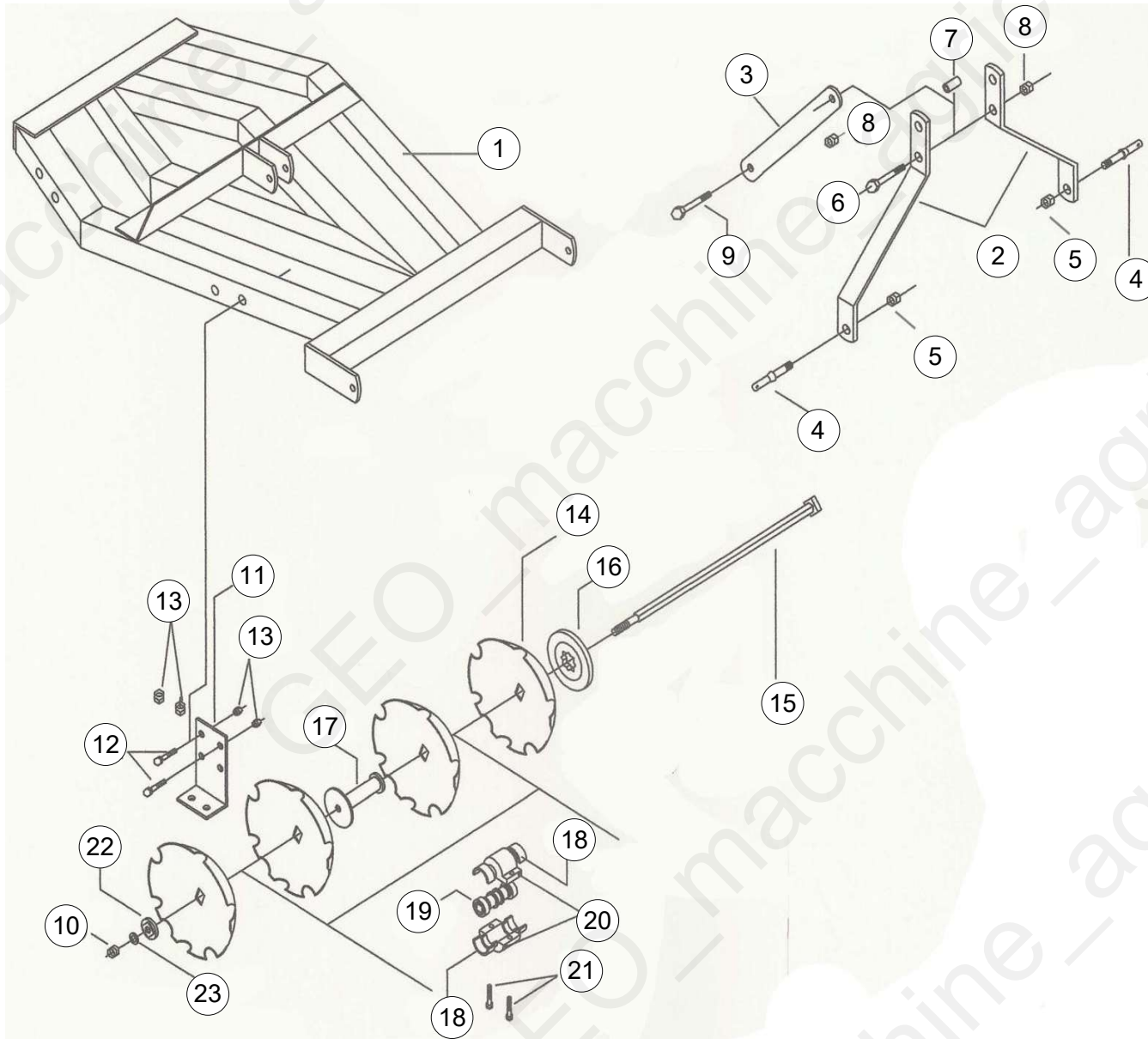


DH-150



Table of Contents

Tavola	Page
DH-150	3



Machine: DH-150

Assembly: DH-150



Pos	Code	Description	NOTE	Q.
1	DH.01.001	Mount Frame Weldment		1
2	DH.01.002	A Frame 3 Point Lift Bracket		2
3	DH.01.003	3 Point Lift Brace		1
4	DH.01.004	Lift Pin F22x137		2
5	DH.01.005	Washer, Spring Washer, Nut M22		2
6	DH.01.006	Bolt M16x100		1
7	DH.01.007	Bushing 26x2x20		2
8	DH.01.008	Washer, Spring Washer, Nut M16		2
9	DH.01.009	Bolt M16x50		1
10	DH.01.010	Nut M24		4
11	DH.01.011	Hanger		8
12	DH.01.012	Bolt M12x30		32
13	DH.01.013	Washer, Lock Nut M12		16
14	DH.01.014	Disc		16
15	DH.01.015	Alxe		4
16	DH.01.016	Disc Washer Large Bumper		4
17	DH.01.017	Disc Spool		8
18	DH.01.018	Disc Bearing cap		16
19	DH.01.019	Disc Bearing Ribbed Spool		12
20	DH.01.020	Grease Fitting		16
21	DH.01.021	Bolt M12x130		16
22	DH.01.022	Disc Washer Small End		4
23	DH.01.023	Washer, Spring Washer M24		4