

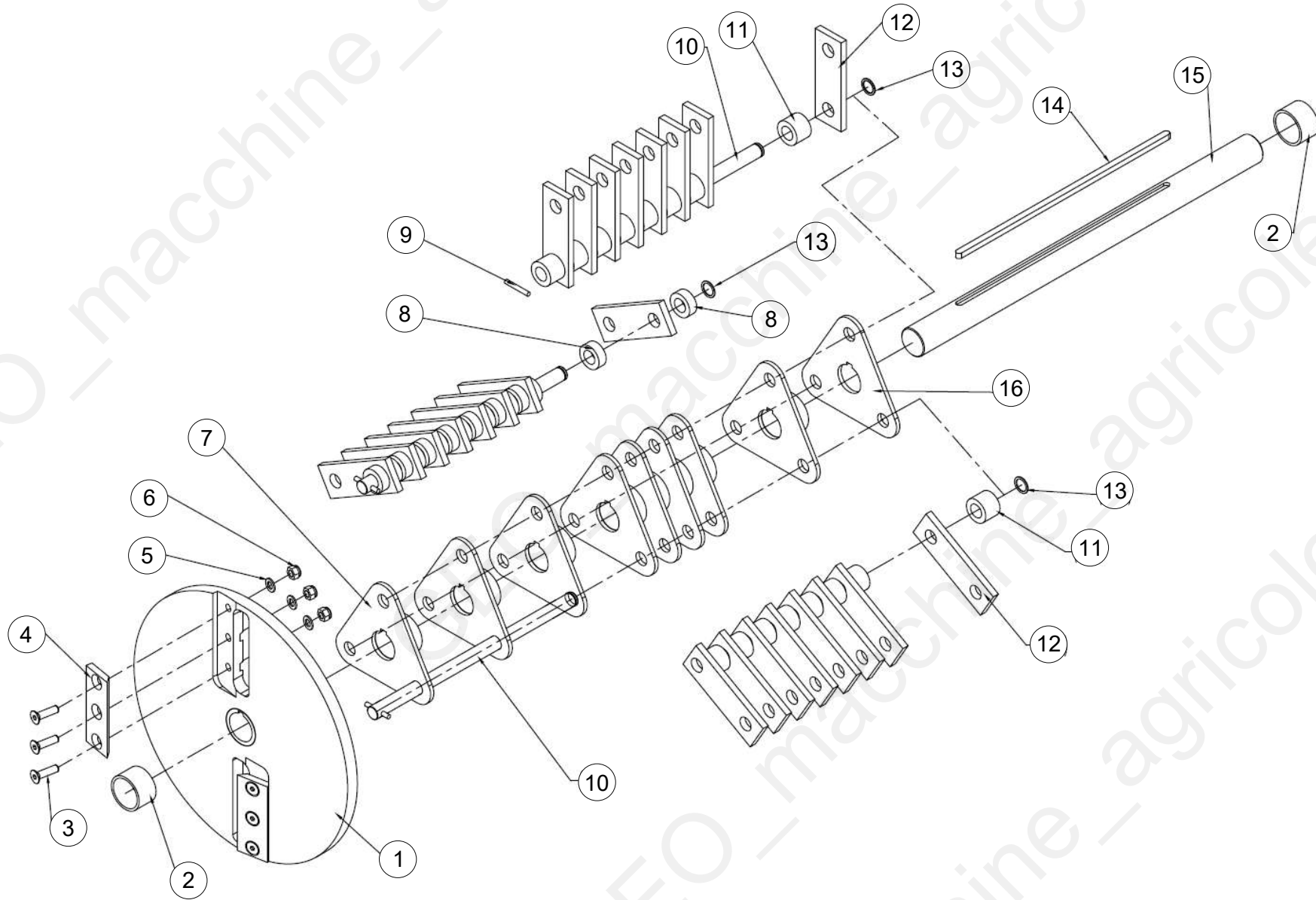
ECO 19



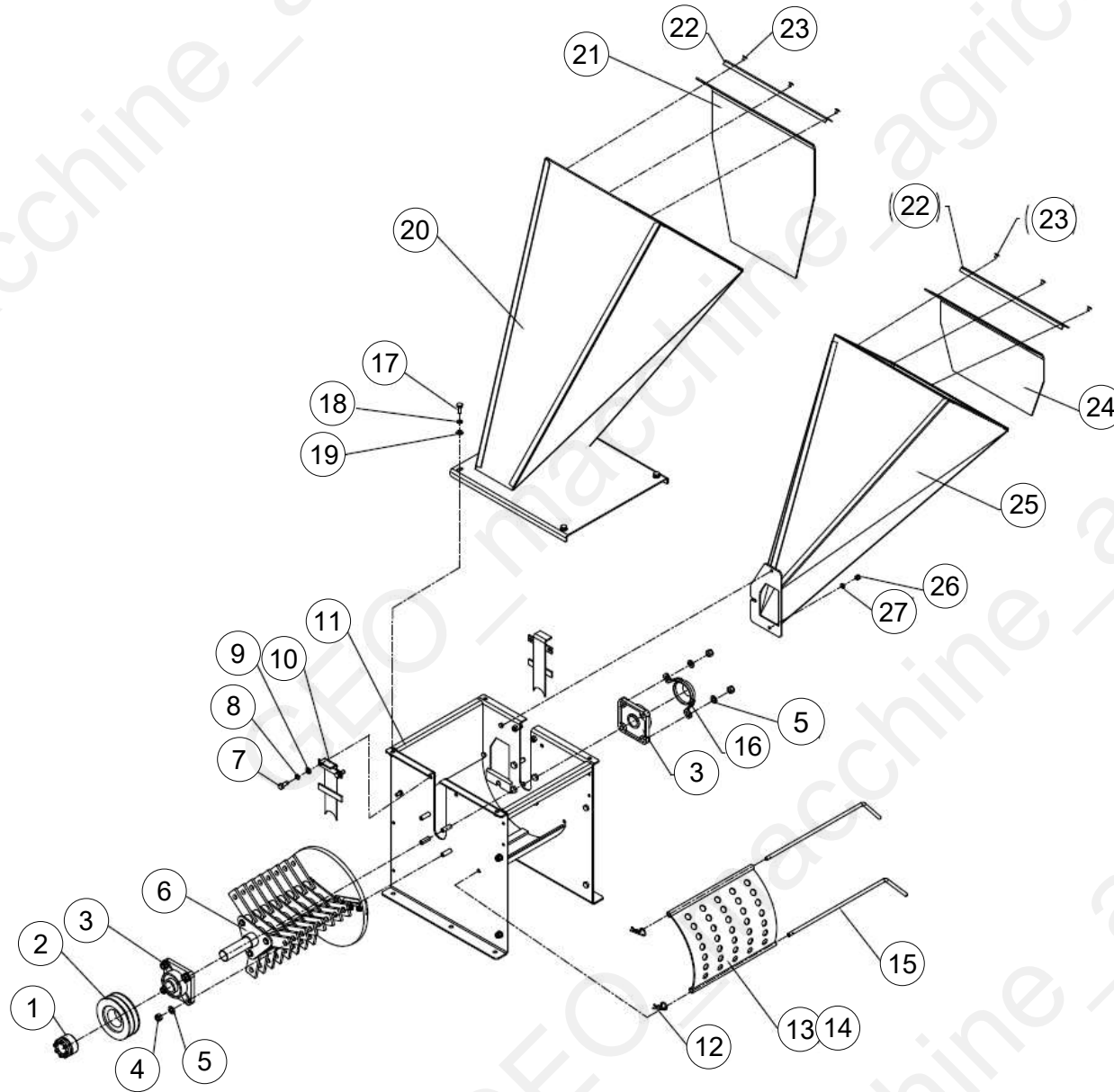
GEO Italy S.R.L.

Table of Contents

Tavola	Page
ECO19_parte 1	3
ECO19_parte 2	5
ECO19_parte 3	8
KIT_Protezione	11



Pos	Code	Description	NOTE	Q.
1	ECO19.023	Rotor-wdmt		0
2	ECO19.114	Spacer		2
3	GB2673-M8x30	Bolt M8x30		6
4	ECO19.115	Knife		2
5	GB97.1-8	Plain washer 8		3
6	GB889.1-M8	Locking nut M8		3
7	ECO19.024	Shaft holder-wdmt		0
8	ECO19.120	Short spacer		16
9	GB879-5x35	SPRING PIN 5x35		3
10	ECO19.116	Shaft		3
11	ECO19.119	Long spacer		16
12	ECO19.117	Flail knife		24
13	GB893.1-16	Retaining ring 16		3
14	GB1096-A8x7x328	Key a8x7x328		1
15	ECO19.113	Main shaft		1
16	ECO19.118	Plate		1



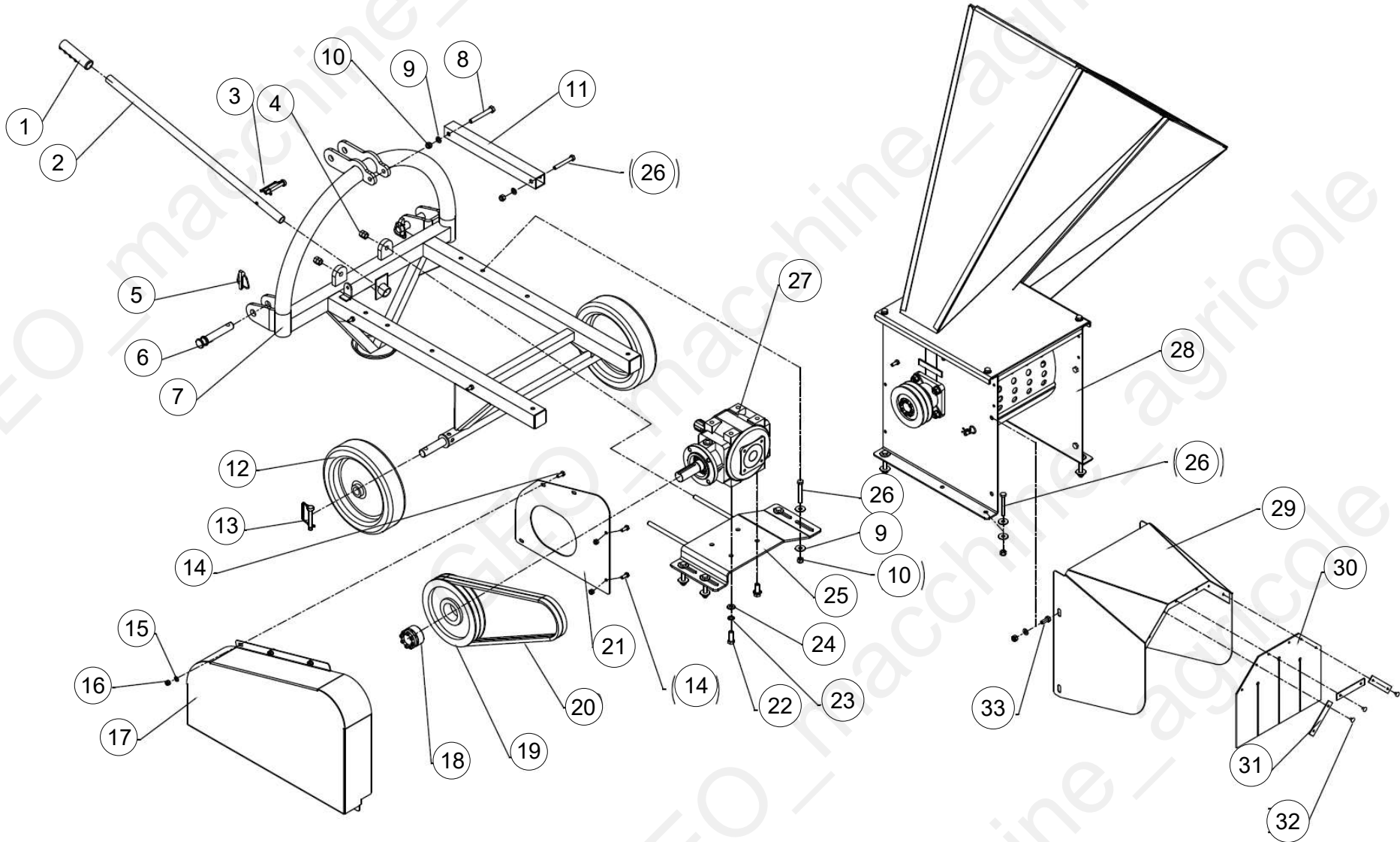
Pos	Code	Description	NOTE	Q.
1	REACH.04-3560	Clamping coupling 3560		1
2	ECO19.103	Pulley		1
3	F90507	Bearing UCFL207		2
4	GB889.1-M12	Locking nut M12		8
5	GB97.1-12	plain washer 12		8
7	GB5783-M10x25	Bolt M10X25		4
8	GB93-10	spring washer 10		4
9	GB97.1-10	PLAIN WASHER 10		4
10	ECO19.019	Patching plate-wdmt		0
11	ECO19.013	Housing-wdmt		0
12	R.PIN.3.2	R Pin 3.2		2
13	ECO19.017	Sifting plate-wdmt Standard		0
14	ECO19.018	Sifting plate-wdmt Small Holes		0
15	ECO19.109	Supporting rod		2
16	ECO19.022	Cover-bearing		0
17	GB5783-M10x25	Bolt M10X25		4
18	GB93-10	spring washer 10		4
19	GB97.1-10	PLAIN WASHER 10		4
20	ECO19.015	Upper hopper		1
21	ECO19.111	Entrance flap-upper		0
22	ECO19.112	Clamping plate		2
23	JB4005-6x12	Rivet 6x12		6
24	ECO19.110	Entrance flap-lower		0
25	ECO19.014	Lower hopper		1
26	GB889.1-M8	Locking nut M8		3

Machine: ECO 19

Assembly: ECO19_parte 2



Pos	Code	Description	NOTE	Q.
27	GB97.1-8	Plain washer 8		3



Pos	Code	Description	NOTE	Q.
1	LS18.101	Handle cover		1
2	ECO19.101	Draw bar		1
3	DP8x60	Lock pin d8x60		1
4	GB6170-M12	Nut 12		4
5	LP12	Lock Pin 12		2
6	T150.101	Hitch Pin- Lower		0
7	ECO19.011	Main frame-wdmt		0
8	GB5782-M10x90	Bolt M10x90		1
9	GB97.1-10	PLAIN WASHER 10		22
10	GB889.1-M10	Locking nut M10		14
11	ECO19.102	Connecting rod		1
12	ECO19.021	Wheel-set		0
13	DP12x60	Lock pin d12x60		2
14	GB5783-M8x20	bolt M8X20		4
15	GB97.1-8	Plain washer 8		5
16	GB889.1-M8	Locking nut M8		5
17	ECO19.020	Shield-pulley		0
18	REACH.04-3360	Clamping coupling 3360		1
19	EFGC125.121	Big belt pulley		1
20	GB11544-1321Li	V-belt 1321Li		2
21	ECO19.105	Connecting plate		1
22	GB5783-M12x35	Bolt M12X35		4
23	GB93-12	spring washer 12		4
24	GB97.1-12	plain washer 12		4
25	ECO19.012	Mounting base-gearbox		0

Machine: ECO 19

Assembly: ECO19_parte 3



Pos	Code	Description	NOTE	Q.
26	GB5782-M10x75	Bolt M10x75		10
27	XH50.300Z.02W	Gearbox assembly		1
28	ECO19.002	Chipper-assy		0
29	ECO19.016	Discharge cover		1
30	ECO19.106	Discharge flap		1
31	ECO19.107	Clamping plate		3
32	JB4005-6x12	Rivet 6x12		6
33	GB5783-M10x25	Bolt M10X25		4

KIT_Protezione



1



Machine: KIT_Protezione

Assembly: KIT_PROT



Pos	Code	Description	NOTE	Q.
1	ECO.00.01	KIT Protezione Cuffie		1