

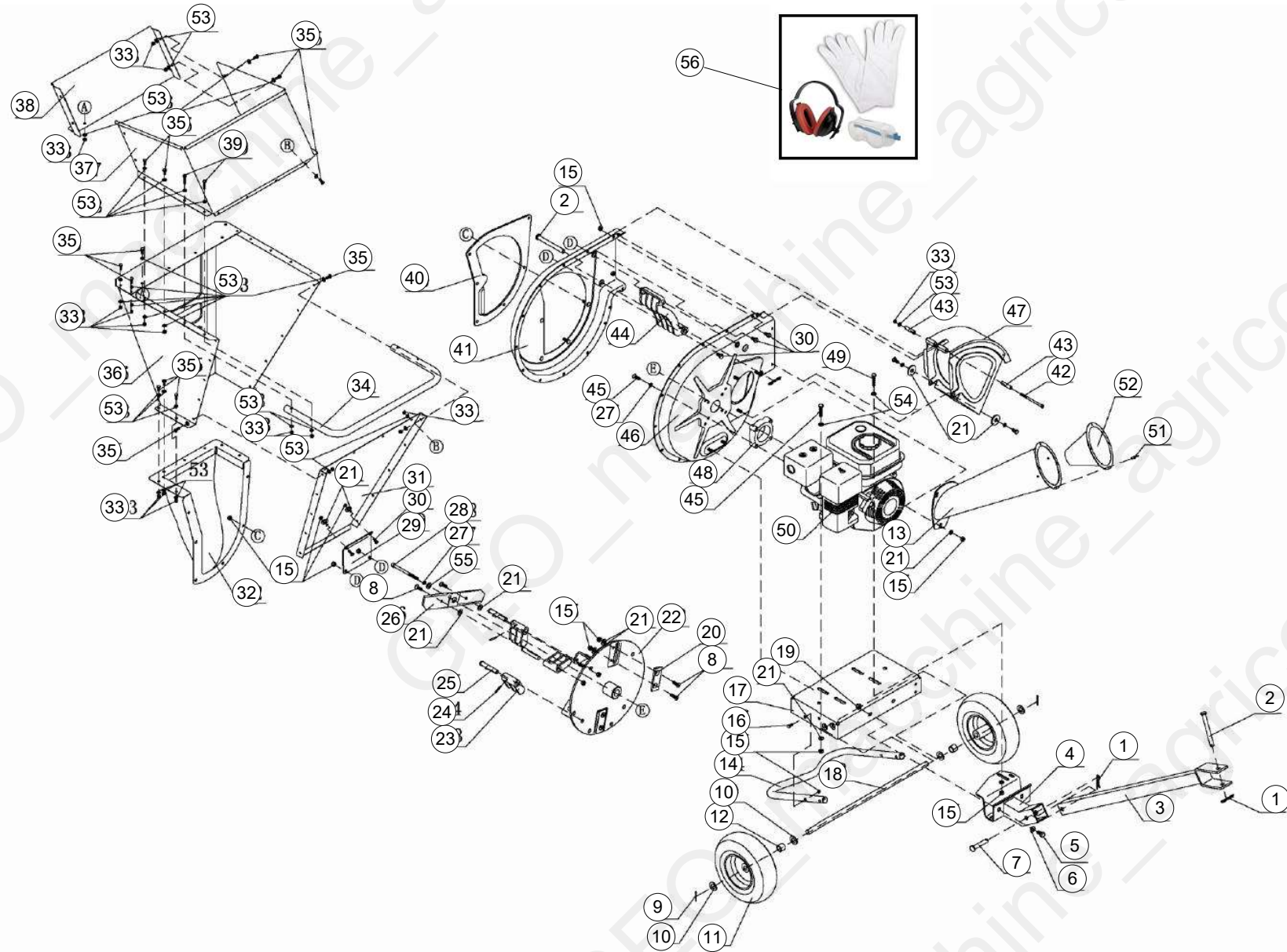
ECO 5



GEO Italy S.R.L.

Table of Contents

Tavola	Page
ECO5_parte 1	3
Motore JF168-200	7



Pos	Code	Description	NOTE	Q.
1	ECO5.001	R Pin		3
2	ECO5.002	Hitch Pin		2
3	ECO5.003	Tow Bar		1
4	ECO5.004	Connector Tube		1
5	ECO5.005	Hex Bolt M10X20		2
6	ECO5.006	Flat Washer Ø10		2
7	ECO5.007	Round Pin		1
8	ECO5.008	Inner Hex Bolt M8X25		6
9	ECO5.009	Cotter Pin Ø3X30		2
10	ECO5.010	Flat Washer Ø16		4
11	ECO5.011	Tire		2
12	ECO5.012	Bushing		2
13	ECO5.013	Chipper Hopper		1
14	ECO5.014	Tube Support		1
15	ECO5.015	Lock Nut M8		40
16	ECO5.016	Hex Bolt M8X35		4
17	ECO5.017	Frame Assembly		1
18	ECO5.018	Axle		1
19	ECO5.019	Lock Nut M10		2
20	ECO5.100.20	Short Blade		2
21	ECO5.021	Big Washer Ø8		17
22	ECO5.022	Impeller Assembly		1
23	ECO5.023	Hammer		4
24	ECO5.024	Spring Pin Ø4x25		4
25	ECO5.025	Hammer Pin		4

Pos	Code	Description	NOTE	Q.
26	ECO5.026	Long Blade		1
27	ECO5.027	Spring Washer Ø8		1
28	ECO5.028	Inner Hex Screw M8X110		1
29	ECO5.029	Hopper Support Bracket		1
30	ECO5.030	Hex Bolt M8X16		17
31	ECO5.031	Back Board		1
32	ECO5.032	Inlet Guide		1
33	ECO5.033	Lock Nut M6		42
34	ECO5.034	Hopper Handle		1
35	ECO5.035	Hex Bolt M6X12		37
36	ECO5.036	Middle Shredder Hopper		1
37	ECO5.037	Upper Shredder Hopper		1
38	ECO5.038	Front Board		1
39	ECO5.039	Hex Bolt M6X35		4
40	ECO5.040	Clapboard		1
41	ECO5.041	Outer Fail Housing Assembly		1
42	ECO5.042	Inner Hex Bolt M6X100		1
43	ECO5.043	Bushing		2
44	ECO5.044	Screen		1
45	ECO5.045	Hex Bolt M8X40		7
46	ECO5.046	Inner Fail Housing Assembly		1
47	ECO5.047	Chute Deflector Assembly		1
48	ECO5.048	Shield		1
49	ECO5.049	Hex Bolt M8X45		1
50	ECO5.050	6.5Hp Engine		1

Machine: ECO 5

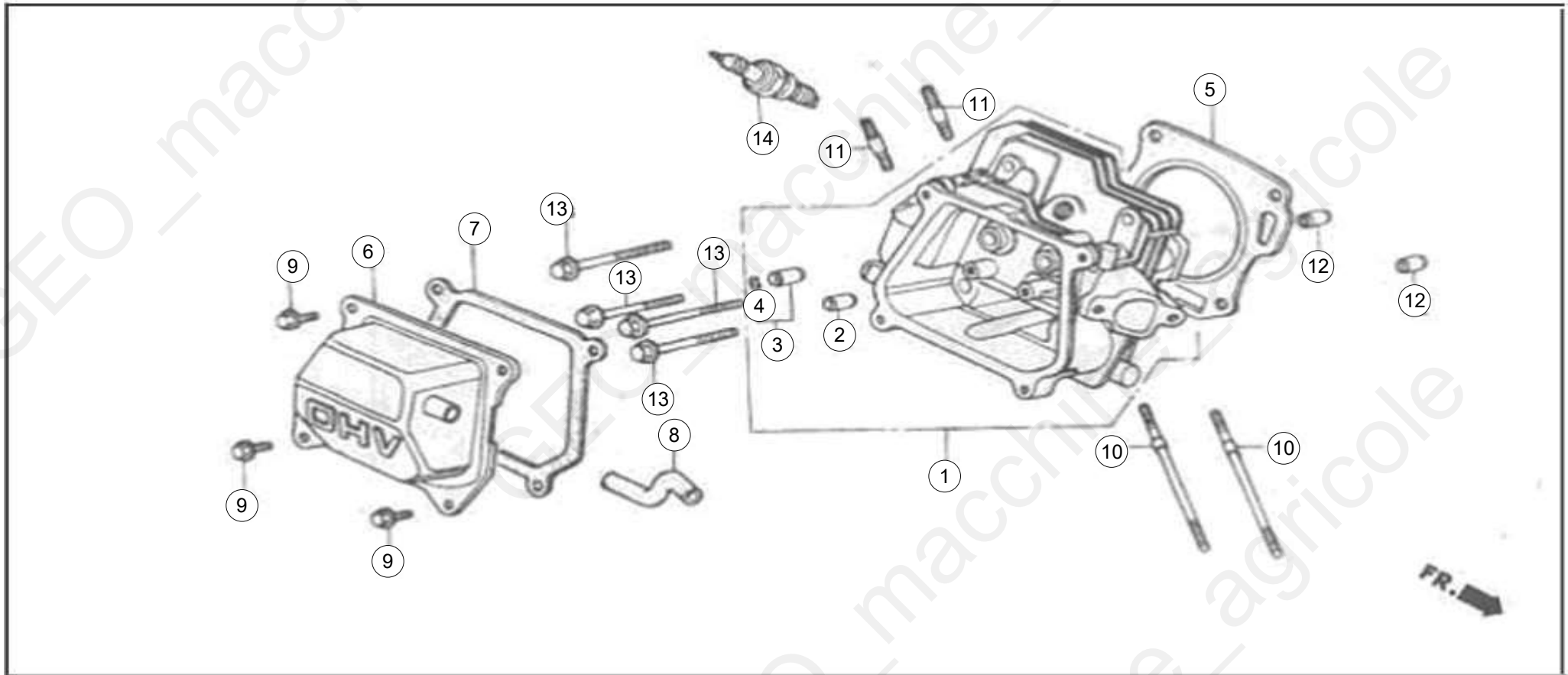
Assembly: ECO5_parte 1



Pos	Code	Description	NOTE	Q.
51	ECO5.051	Rivet Ø5x11		4
52	ECO5.052	Chipper Hopper		1
53	ECO5.053	Flat Washer Ø6		83
54	ECO5.054	Flat Washer Ø8		4
55	ECO5.055	Thick Big Flat Washer Ø8		1
56	ECO.00.01	KIT Protezione Cuffie		1

Motore JF168-200



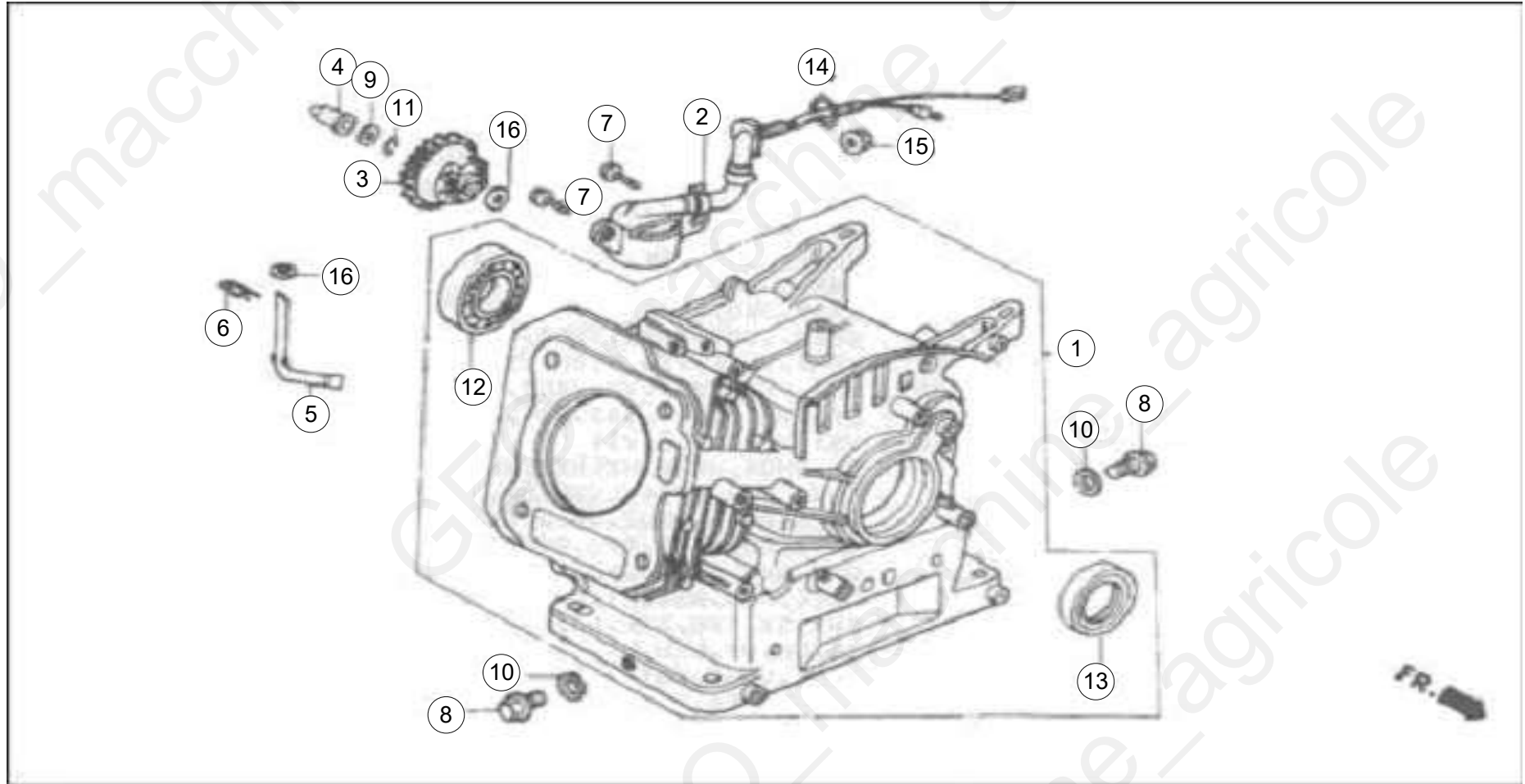


Machine: Motore JF168-200

Assembly: JF200 part1



Pos	Code	Description	NOTE	Q.
1	JF200.1-1	CYLINDER HEAD COMP		1
2	JF168.1.2-5A	IN. VALVE GUIDE		1
3	JF168.1.2-5B	VALVE GUIDE		1
4	JF168.1.2-6	VALVE GUIDE CLIP		2
5	JF200.2-3	CYLINDER HEAD GASKET		1
6	JF168.1.1.1	HEAD COVER COMP		1
7	JF168.1.1-3	HEAD COVER PACKING		1
8	JF168.1.1-2	BREATHER TUBE		1
9	GB/T5787-86(6x12)	FLANGE BOLT 6X12		4
10	JF168.1-2	STUD BOLT 6X109		2
11	GB900-88(8x32)	STUD BOLT 8X32		2
12	JF168.2-5	DOWEL PIN 10X16		2
13	JF168.2-4	FLANGE BOLT 8X60		4
14	JF168.10-1	SPARK PLUG(LD NGK)		1

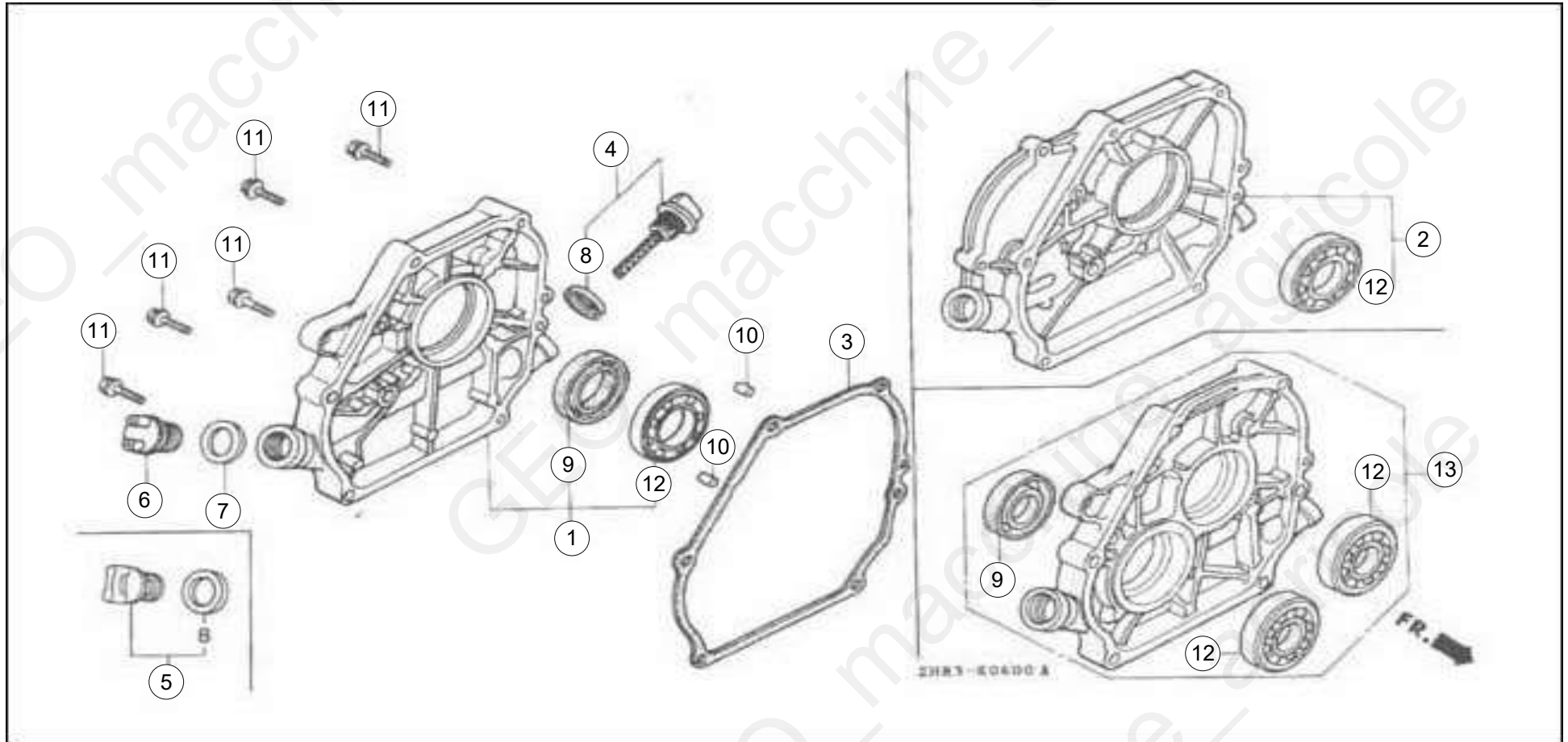


Machine: Motore JF168-200

Assembly: JF200 part2



Pos	Code	Description	NOTE	Q.
1	JF200.2	CYLINDER ASSY.		1
2	JF168.14	OIL LEVEL SWITCH ASSY.		1
3	JF168.11.1	GOVERNOR ASSY.		1
4	JF168.11.1-7	GOVERNOR SLIDER		1
5	JF168.11.2-1	GOVERNOR ARM SHAFT		1
6	JF168.11.2-2	LOCK PIN 8mm		1
7	GB/T5787-86(6x20)	BOLT-WASHER 6X20		2
8	JF168.2-6	DRAIN PLUG BOLT		2
9	JF168.11.1-5	THRUST WASHER 6mm		1
10	GB95-85	DRAIN PLUG WASHER10.2mm		2
11	JF168.11.1-8	GOVERNOR HOLDER CLIP		1
12	GB276-89(6205)	RADIAL BALL BEARING 6205		1
13	GB13817-92-25x41.25x6	OIL SEAL 25X41.25X6		2
14	JF168.14.2-10	O-RING 14mm		1
15	GB6177-86(10mm)	FLANGE NUT 10mm		1
16	JF168.11.1-6	PLAIN WASHER 6mm		1

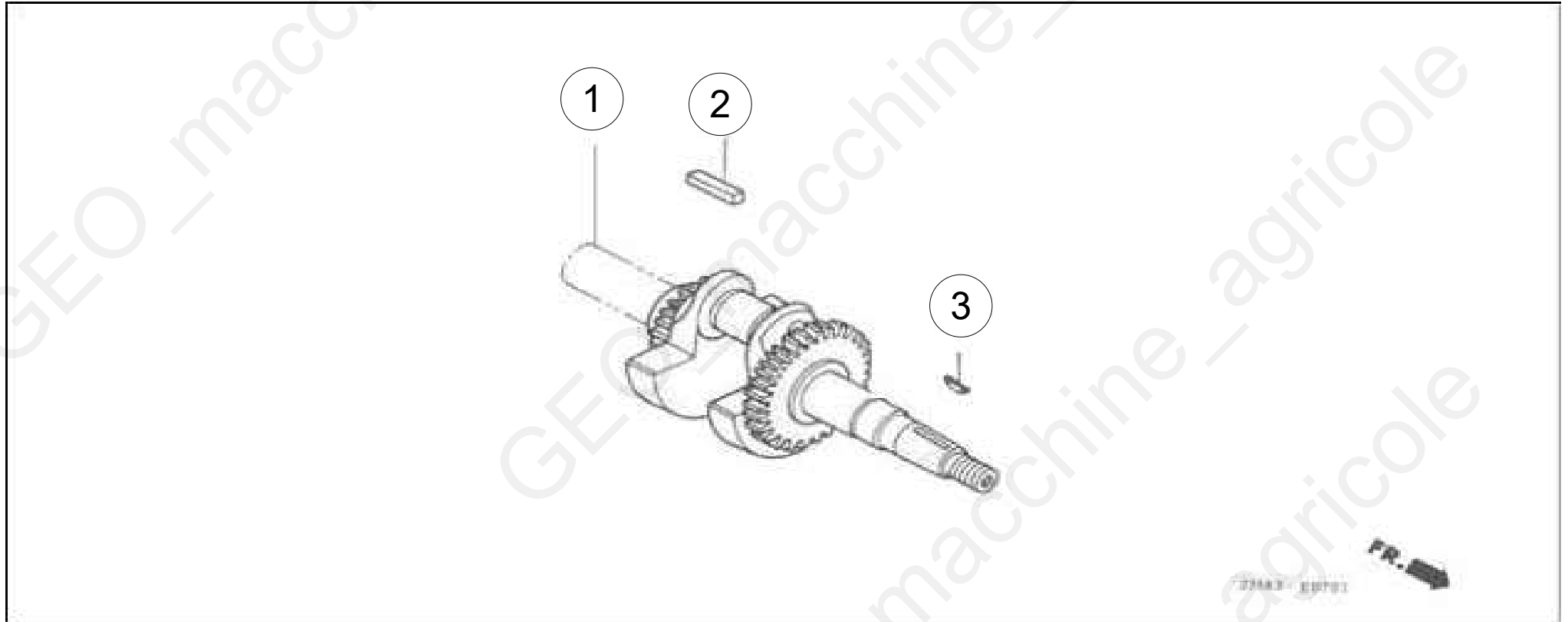


Machine: Motore JF168-200

Assembly: JF200 part4



Pos	Code	Description	NOTE	Q.
1	JF168.15-1A	CRANKCASE COVER ASSY		1
2	JF168.15-1B	CRANKCASE COVER ASSY		1
3	JF168.15-2	PACKING?CASE COVER		1
4	JF168.15-3	OIL FILLER CAP ASSY		1
5	JF168.15-5A	OIL FILLER CAP ASSY		1
6	JF168.15-5B	OIL FILLER CAP ASSY		1
7	JF168.15-6A	OIL FILLER CAP ASKET		1
8	JF168.15-6B	OIL FILLER CAP GASKET		2
9	GB13817-92-25x41.25x6	OIL SEAL 25X41.25X6		1
10	JF168.15-4	DOWEL PIN 8X14		2
11	GB/T5787-86(8x32)	FLANGE BOLT 8X32		6
12	GB276-89(6205)	RADIAL BALL BEARING 6205		1
13	JF168.15-1C	CRANKCASE COVER ASSY.		1

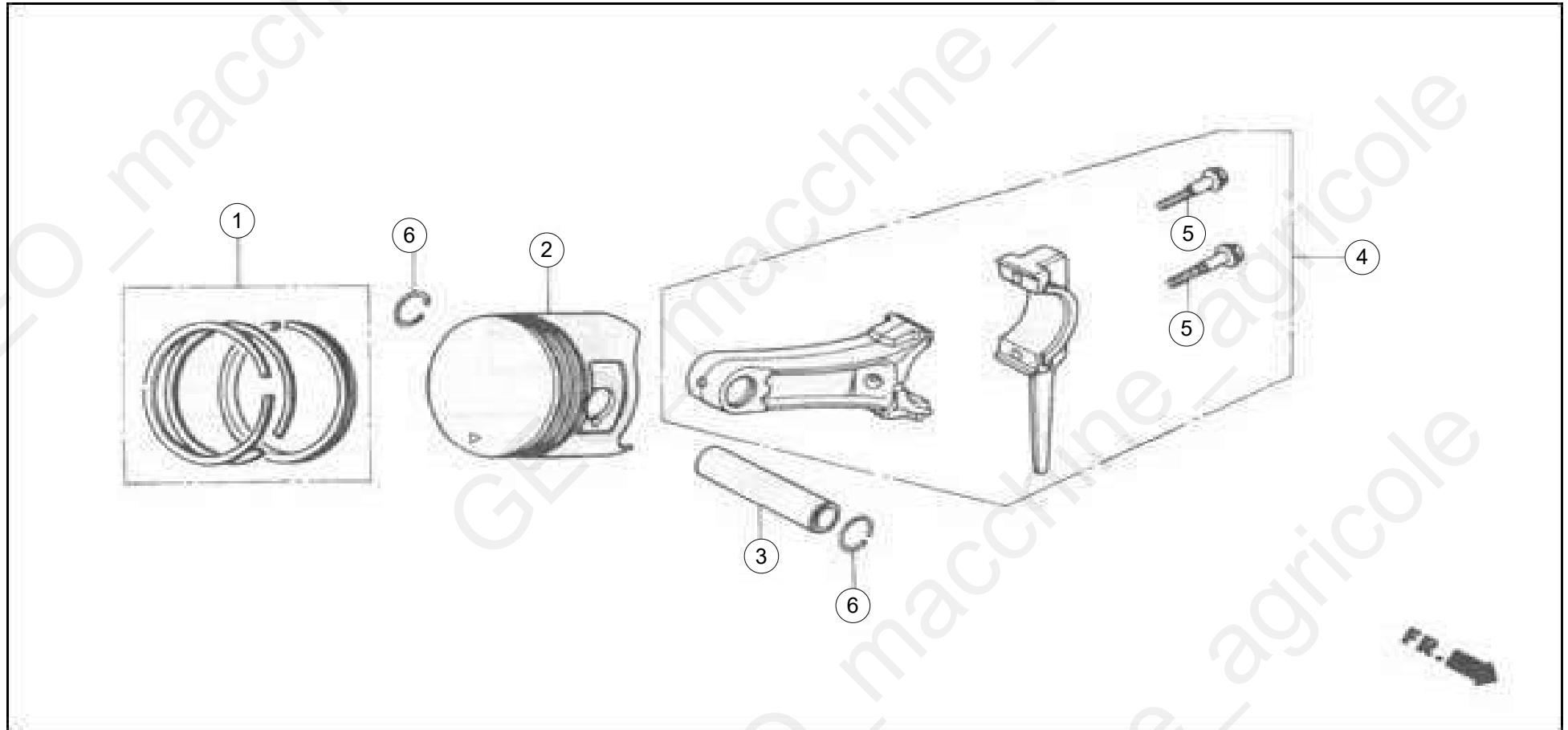


Machine: Motore JF168-200

Assembly: JF200 part5



Pos	Code	Description	NOTE	Q.
1	JF200.4	CRANKSHAFT COMP		1
2	GB1096-79(5x5x30)	KEY 5X5X30		1
3	JF168.4.2-2	SPECIAL WOODRUFF KEY		1

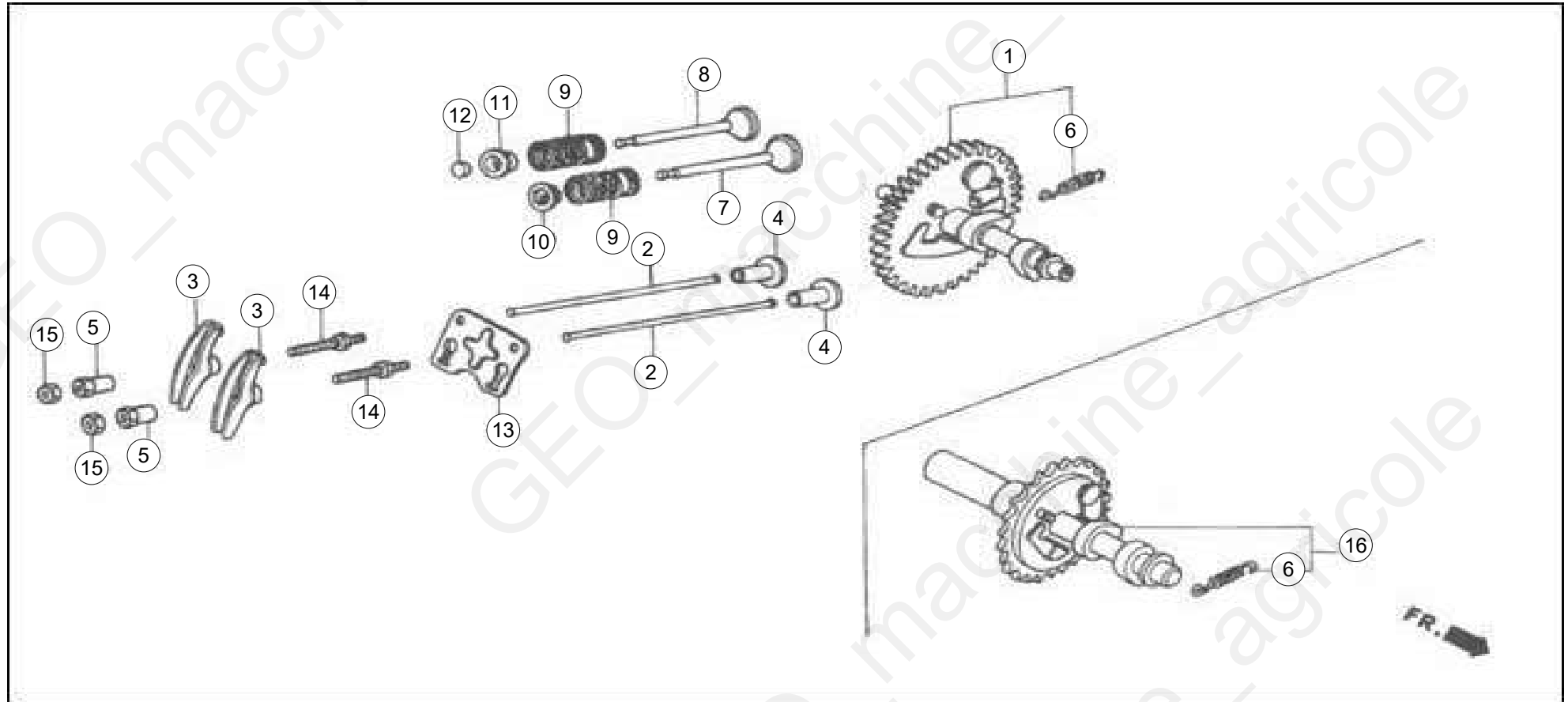


Machine: Motore JF168-200

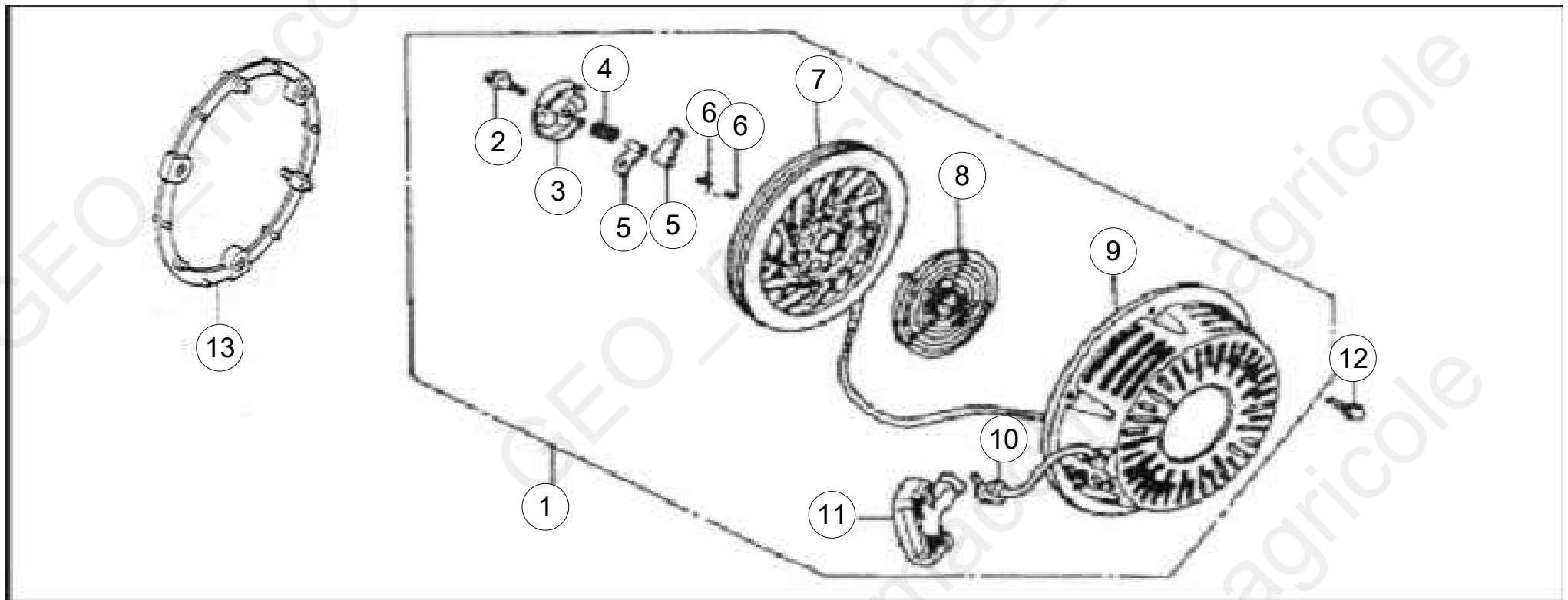
Assembly: JF200 part6



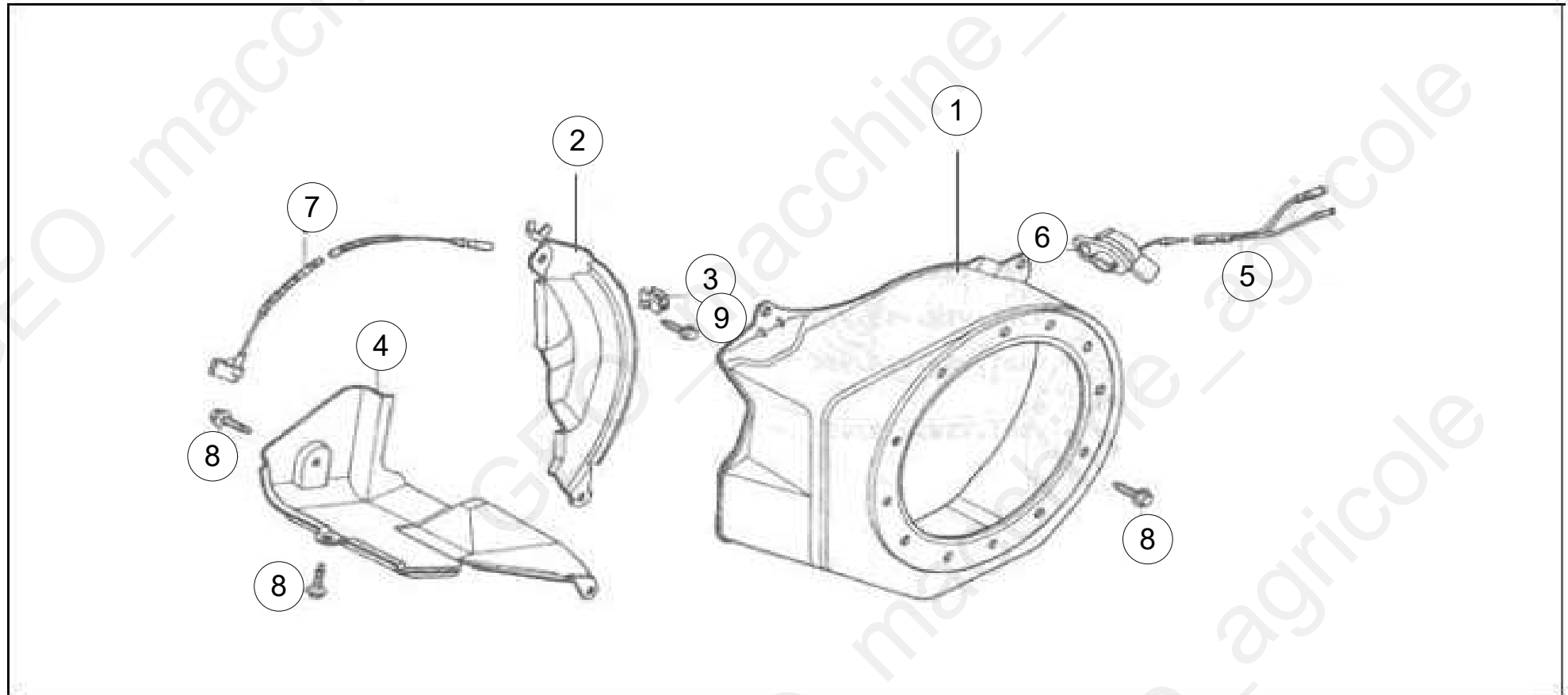
Pos	Code	Description	NOTE	Q.
1	JF168.3-1	PISTON RING SET		1
2	JF200.3-5	PISTON		1
3	JF168.3-4	PISTON PIN		1
4	JF168.3-6	CONNECTING ROD ASSY.		1
5	JF168.3-8	CONNECTION ROD BOLT		2
6	JF168.3-9	PISTON PIN CLIP 18MM		2



Pos	Code	Description	NOTE	Q.
1	JF200.5-1A	CAMSHAFT ASSY.		1
2	JF200.1.2-14	PUSH ROD		2
3	JF168.1.2-9	VALVE ROCKER ARM		2
4	JF200.1.2-15	VALVE LIFTER		2
5	JF168.1.2-8	ROCKER ARM PIVOT		2
6	JF168.5-5	WEIGHT RETURN SPRING		1
7	JF168.1.2-3	IN. VALVE		1
8	JF168.1.2-4	EX. VALVE		1
9	JF168.1.2-10	VALVE SPRING		2
10	JF168.1.2-1	IN.VALVE SPRING RETAINER		1
11	JF168.1.2-2	EX.VALVE SPRING RETAINER		1
12	JF168.1.2-13	VALVE RATATOR		1
13	JF168.1.2-16JF200.1.2			1
14	JF168.1.2-7	PIVOT BOLT(8mm)		2
15	JF168.1.2-17	PIVOT ADJUSTING NUT		2
16	JF200.5-1B	CAMSHAFT ASSY.		1



Pos	Code	Description	NOTE	Q.
1	JF168.13	RECOIL STARTER ASSY.		1
2	JF168.13-7	SETTING SCREW.		1
3	JF168.13-6	RATCHET GUIDE		1
4	JF168.13-8	SPRING FRICTION		1
5	JF168.13-5	STARTER RATCHET		2
6	JF168.13-4	RATCHET SPRING		2
7	JF168.13-3	RECOIL STARTER REEL		1
8	JF168.13-10	RECOIL STARTER SPRING		1
9	JF168.13.1	RECOIL STARTER CASE COMP		1
10	JF168.13-2	RECOIL STARTER ROPE		1
11	JF168.13-1	RECOIL STARTER KNOB		1
12	GB/T5787-86(6x8)	FLANGE BOLT 6X8		3
13	JF200.13.2-1	RECOIL STARTER SPACER		1

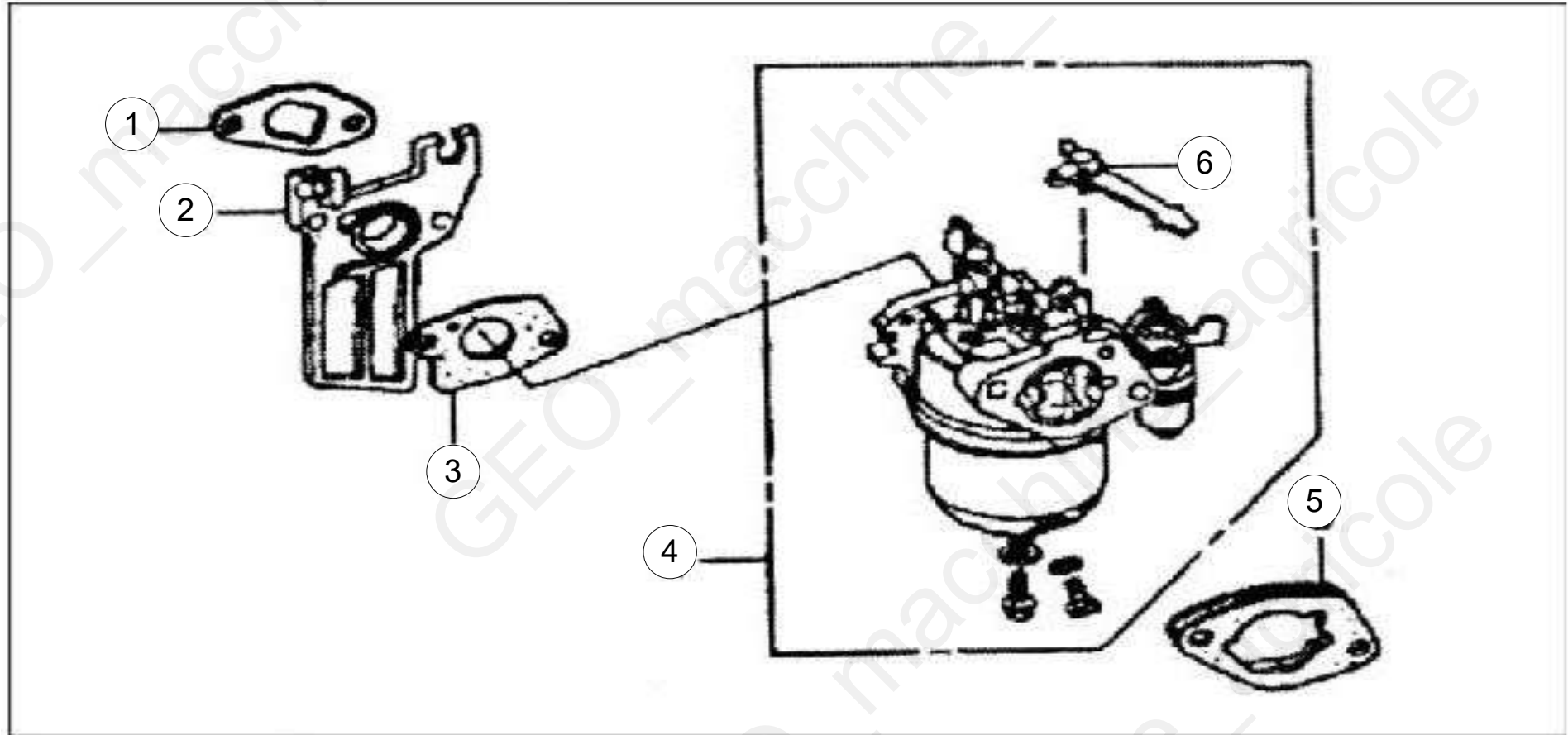


Machine: Motore JF168-200

Assembly: JF200 part10



Pos	Code	Description	NOTE	Q.
1	JF200.13-11	FAN COVER COMP		1
2	JF168.12.1-1	SIDE PLATE		1
3	JF168.12.1-2	CORD CLAMPER		1
4	JF168.12.-2	SHROUD COMP		1
5	JF168.10.3	SUB-HARNESS		1
6	JF168.10.1	ENGINE STOP SWITCH ASSY		1
7	JF168.10.2-2	STOP SWITCH WIRE		1
8	GB/T5787-86(6x12)	FLANGE BOLT 6X12		6
9	GB/T5787-86(6x16)	FLANGE BOLT 6X16		1

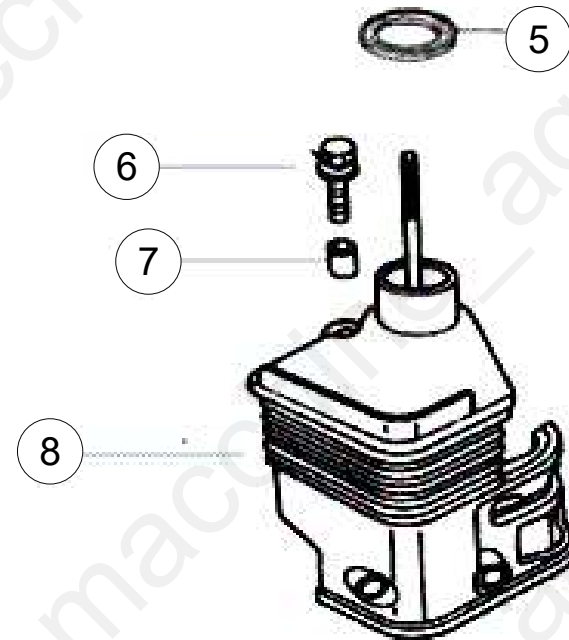
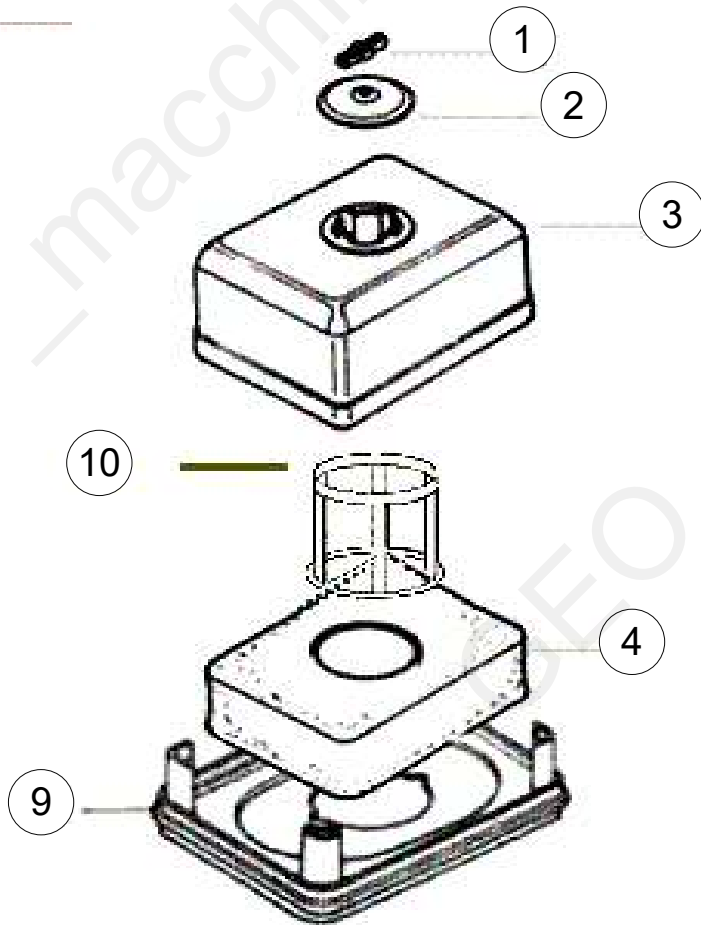


Machine: Motore JF168-200

Assembly: JF200 part11



Pos	Code	Description	NOTE	Q.
1	JF168.1.1-4	INSULATOR GASKET		1
2	JF200.9-1	CARBURETOR INSULATOR		1
3	JF168.9-2	CARBURETOR GASKET		1
4	JF200.9-3	CARBURETOR		1
5	JF168.6-9	CARBURETOR SPACER COMP		1
6	JF168.9-4	CHOKE LEVER COMP		1

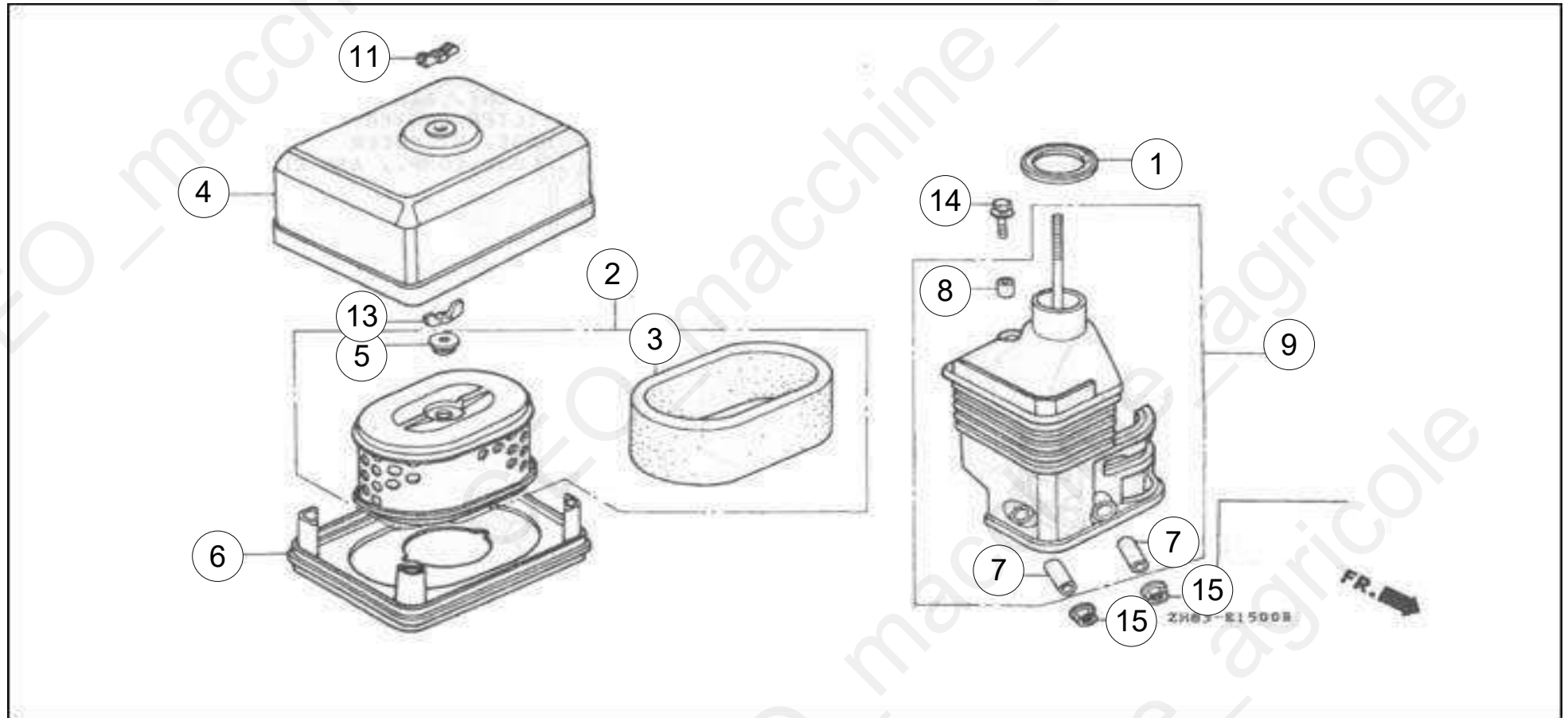


Machine: Motore JF168-200

Assembly: JF200 part12



Pos	Code	Description	NOTE	Q.
1	JF168.6-1	TOOL BOX SETTING WINGNUT		1
2	JF168.6.3-1	AIR CLEANER GROMMET		1
3	JF168.6.3-2	AIR CLEANER COVER		1
4	JF168.6.3-3	OUTER FILTER		1
5	JF168.6.3-4	ELBOW GASKET		1
6	GB/T5787-86(6x20)	BOLT-WASHER 6X20		1
7	JF168.6-11	AIR CLEANER COLLAR B		1
8	JF168.6-8	AIR CLEANER ELBOW COMP		1
9	JF168.6-5	SILENCER NOSE		1
10	JF168.6-10	BRACKET		1

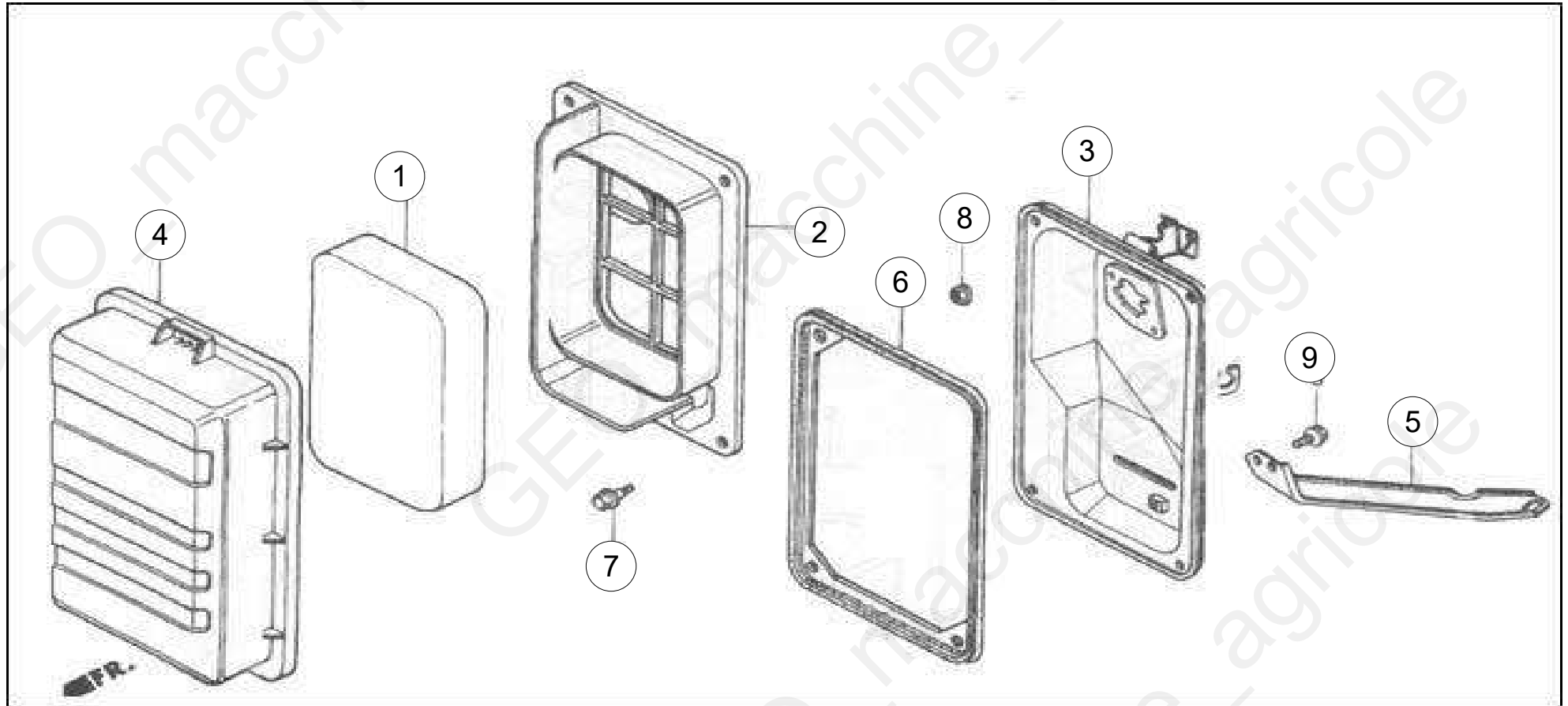


Machine: Motore JF168-200

Assembly: JF200 part13



Pos	Code	Description	NOTE	Q.
1	JF168.6-6	ELBOW GASKET		1
2	JF168.6.1	AIR CLEANER ELEMENT		1
3	JF168.6-4	OUTER FILTER		1
4	JF168.6-3	AIR CLEANERCOVER		1
5	JF168.6.1-7	AIR CLEANER GROMMET		1
6	JF168.6-5	SILENCER NOSE		1
7	JF168.6-12	AIR CLEANER COLLAR		2
8	JF168.6-11	AIR CLEANER COLLAR B		1
9	JF168.6-8	AIR CLEANER ELBOW COMP		1
11	JF168.6-1	TOOL BOX SETTING WINGNUT		1
13	JF168.6-1	TOOL BOX SETTING WINGNUT		1
14	GB/T5787-86(6x20)	BOLT-WASHER 6X20		1
15	GB6177-86(6mm)	SELF-LOCK NUT(6mm)		2

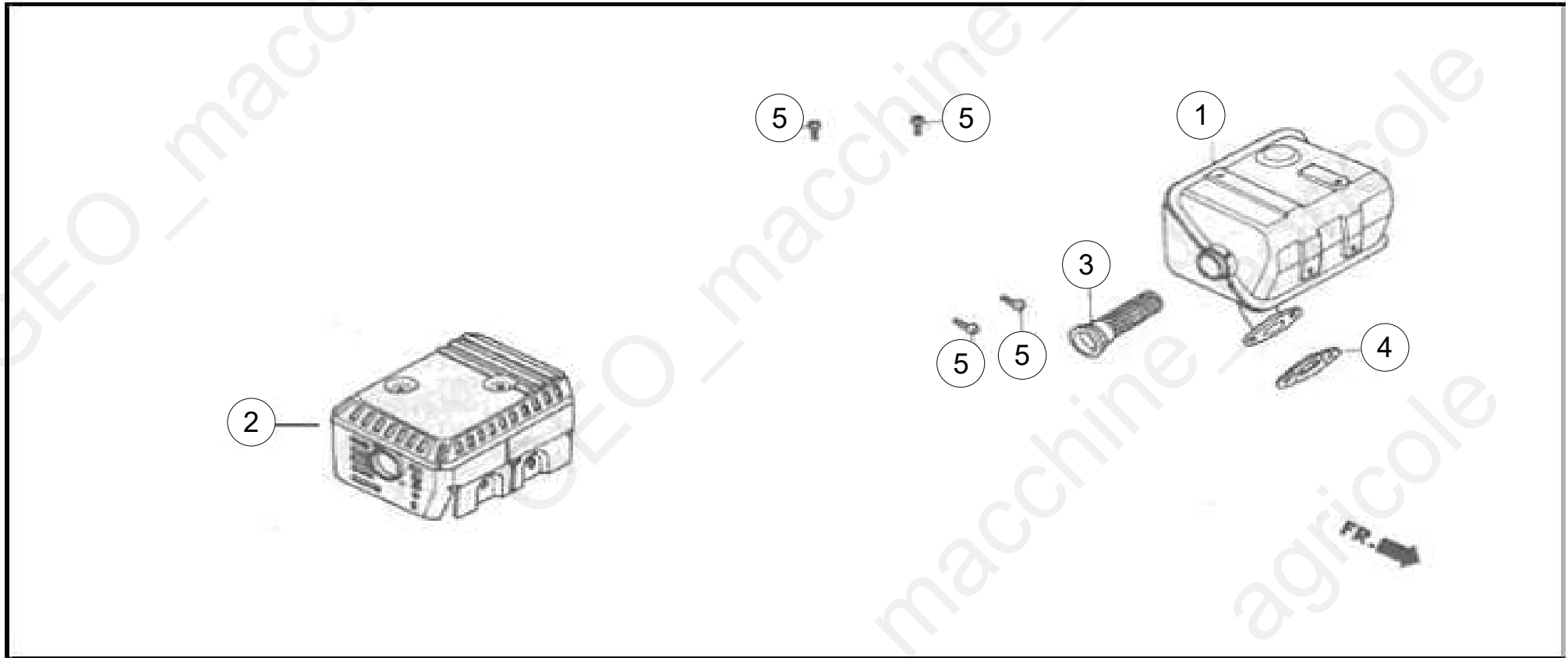


Machine: Motore JF168-200

Assembly: JF200 part14



Pos	Code	Description	NOTE	Q.
1	JF168.6.2-1	OUTER FILTER		1
2	JF168.6.2-2	AIR CLEANER PRINCIPAL PART		1
3	JF168.6.2-3	AIR CLEANER CASE COMP		1
4	JF168.6.2-4	AIR CLEANER COVER		1
5	JF168.6.2-5	AIR CLEANER STAY		1
6	JF168.6.2-6	AIR CLEANER SEAL		1
7	GB/T5787-86	WINKER SETTING BOLT		4
8	GB6177-86(6mm)	SELF-LOCK NUT(6mm)		4
9	GB/T5787-86(6X10)	FLANGE BOLT 6X10		2

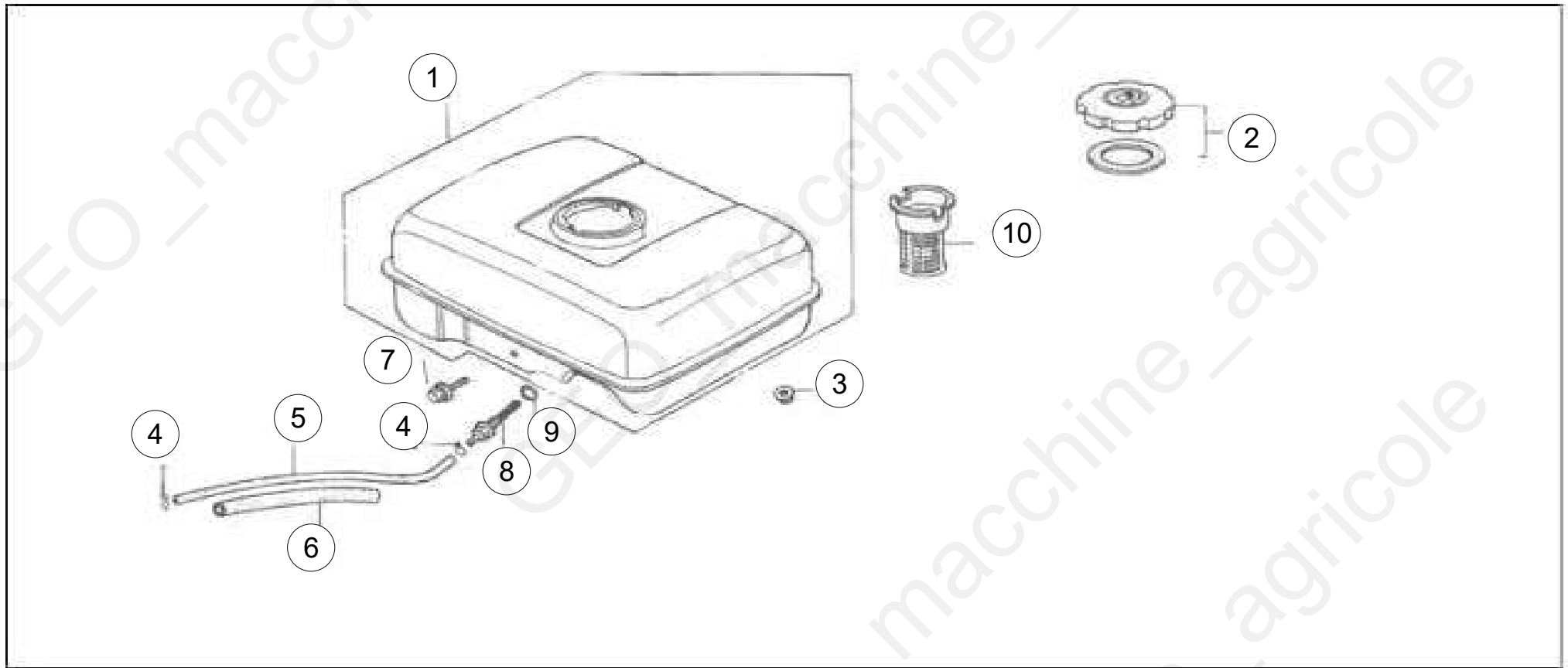


Machine: Motore JF168-200

Assembly: JF200 part15



Pos	Code	Description	NOTE	Q.
1	JF168.7.6	MUFFLER COMP		1
2	JF168.7.2-3	MUFFLER OUUTER PROTECT		1
3	JF168.7.2	SPARK ARRESTER		1
4	JF168.7-9	MUFFLER GASKET		1
5	Q235A(GB700-88)	TAPPING SCREW 5X8		4

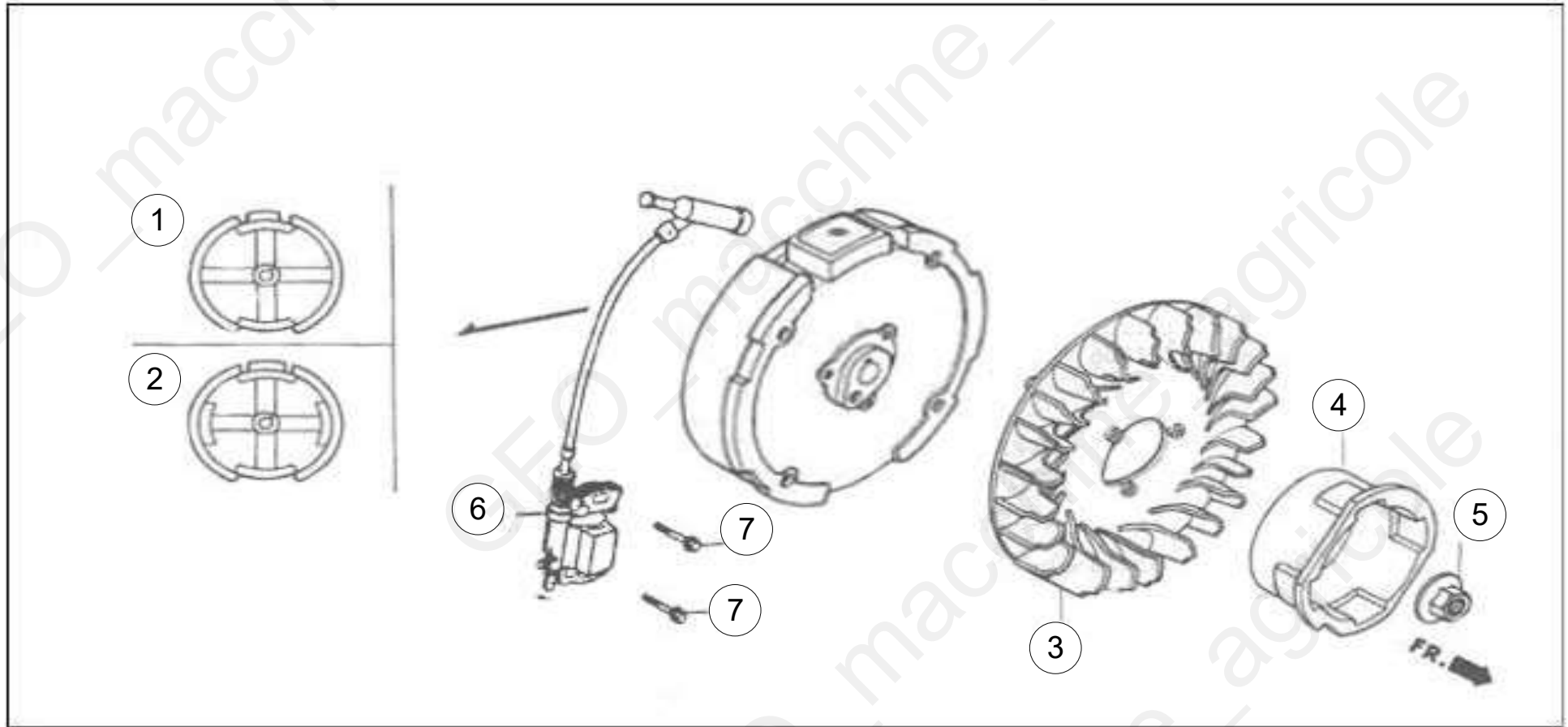


Machine: Motore JF168-200

Assembly: JF200 part16



Pos	Code	Description	NOTE	Q.
1	JF168.8.2	FUEL TANK COMP		1
2	JF168.8.1	FUEL FILLER CAP COMP		1
3	GB6177-86(6mm)	SELF-LOCK NUT(6mm)		2
4	JF168.8.3-4	TUBE CLIP		1
5	JF168.8.3-2	BULK HOSE FUEL		1
6	JF168.8.3-3	SUPPORTER RUBBER		1
7	GB/T5787-86(6x25)	FLANGE BOLT 6X25		1
8	JF168.8.3.1	FUEL TANK JOINT		1
9	JF168.8.3.1-3	O-RING		1
10	JF168.8.1.6	FUEL FILTER		1

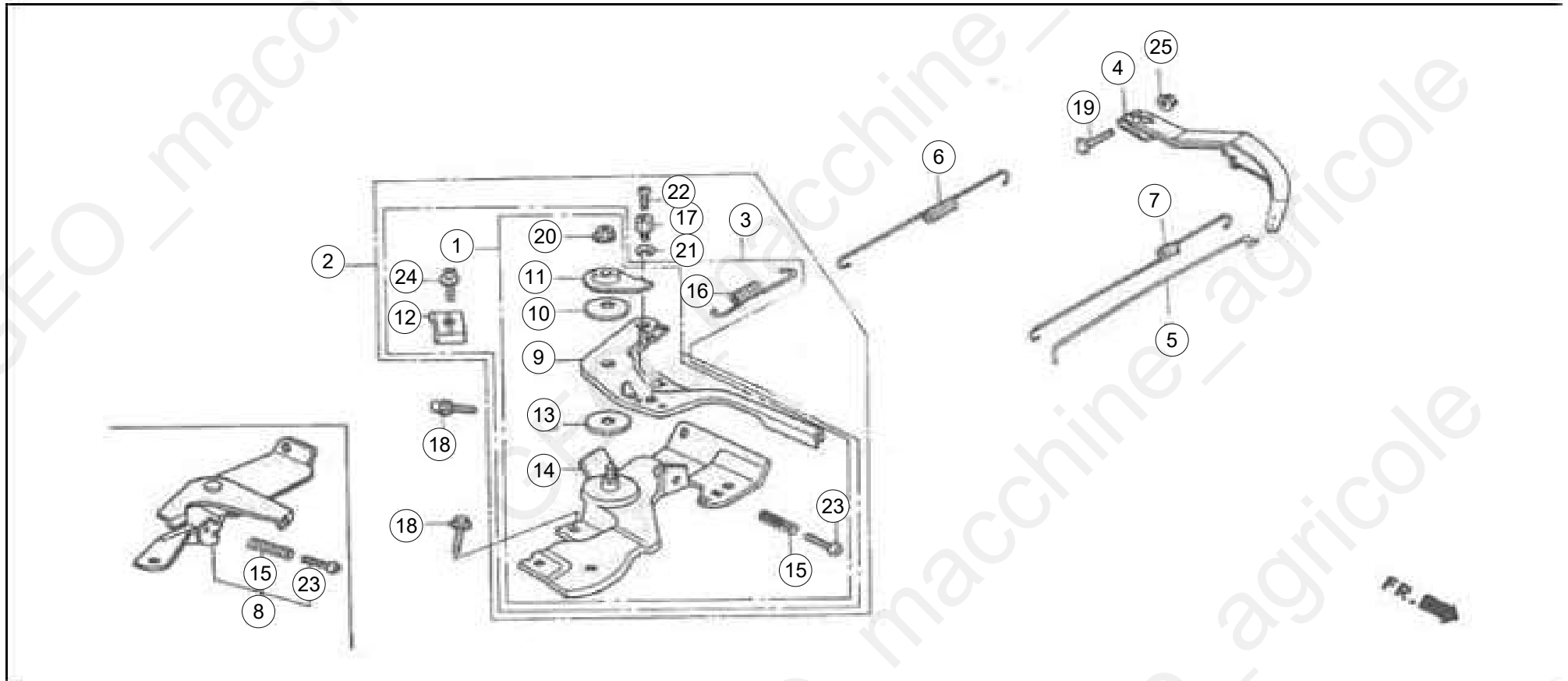


Machine: Motore JF168-200

Assembly: JF200 part17



Pos	Code	Description	NOTE	Q.
1	JF168.4.1A	FLYWHEEL COMP		1
2	JF168.4.1B	FLYWHEEL COMP		1
3	JF168.12-1	COOLING FAN		1
4	JF168.13-9JF200.13-9	STARTER PULLEY		1
5	JF168.4-5	SPECIAL NUT		1
6	JF168.10.2	IGNITION COIL ASSY.		2
7	GB/T5787-86(6x25)	FLANGE BOLT 6X25		2



Pos	Code	Description	NOTE	Q.
1	JF168.11.4	CONTROL ASSY		1
2	JF168.11	CONTROL ASSY.		1
3	JF168.11.2	CONTROL ASSY.		1
4	JF168.11.2-4	GOVERNOR ARM		1
5	JF168.11.2-7	GOVERNOR ROD		1
6	JF168.11.2-5	GOVERNOR SPRING		1
7	JF168.11.2-6	THROTTLE RETURN SPRING		1
8	JF168.11.3	CONTROL ASSY.		1
9	JF168.11.4-2	CONTROL LEVER		1
10	JF168.11.4-5	LEVER SPRING		1
11	JF168.11.4-6	CONTROL LEVER WASHER		1
12	JF168.11.4-8	CABLE HOLDER		1
13	JF168.11.4-4	CONTROL LEVER SPACER		1
14	JF168.11.4-1	CONTROL BASE COMP		1
15	JF168.11.3-3	CONTROL ADJUSTING SPRING		1
16	JF168.11.4-7	CABLE RETURN SPRING		1
17	JF168.11.4-9	WIRE HOLDER		1
18	GB/T5787-86(6x12)	FLANGE BOLT 6X12		2
19	JF168.11.2-3	GOVERNOR ARM BOLT		1
20	GB6177-86(6mm)	SELF-LOCK NUT(6mm)		1
21	JF168.11.2-3.1	CIRCLIP(5mm)		1
22	GB6177-86(4x6)	PAN SCREW 4x6		1
23	GB818-85(2x25)	PAN SCREW 5x25		1
24	GB818-85(2x16)	PAN SCREW 5x16		1
25	JF168.11.4-11	FLANGE NUT(6mm)		1