

ECO 22



GEO Italy S.R.L.

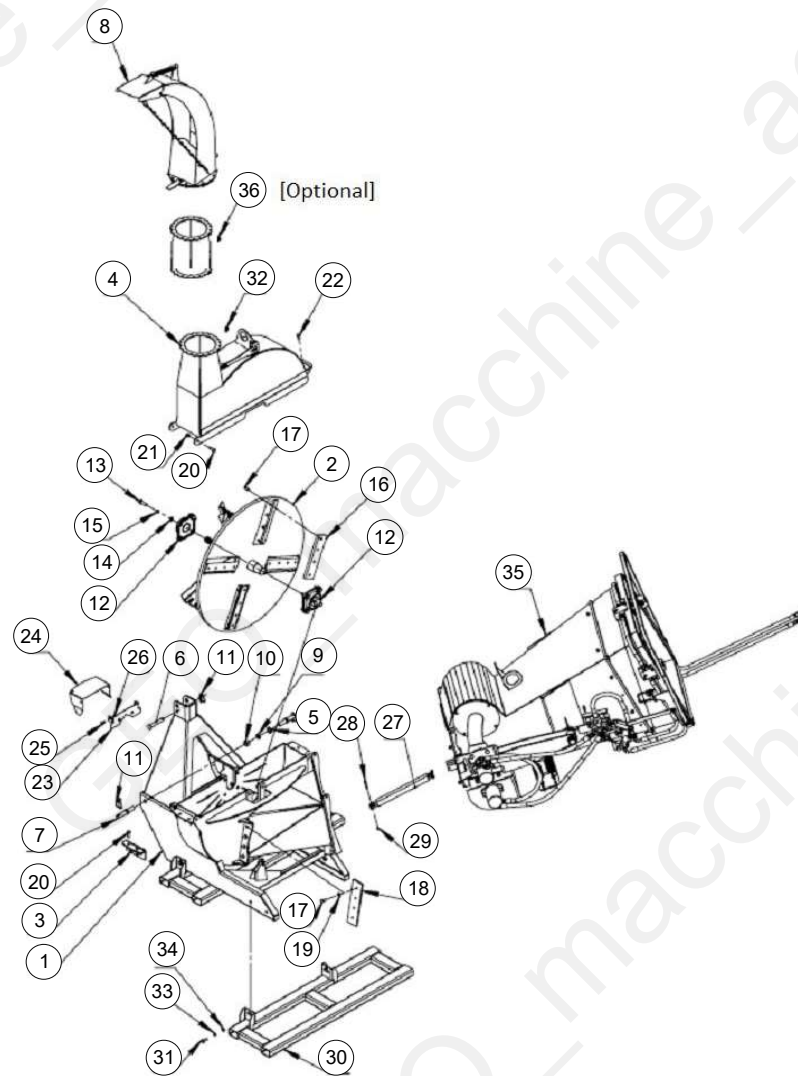
Table of Contents

Tavola	Page
ECO 22-Z	3
ECO 22 2014 2017	18
KIT_Protezione	25

ECO 22-Z



GEO Italy S.R.L.



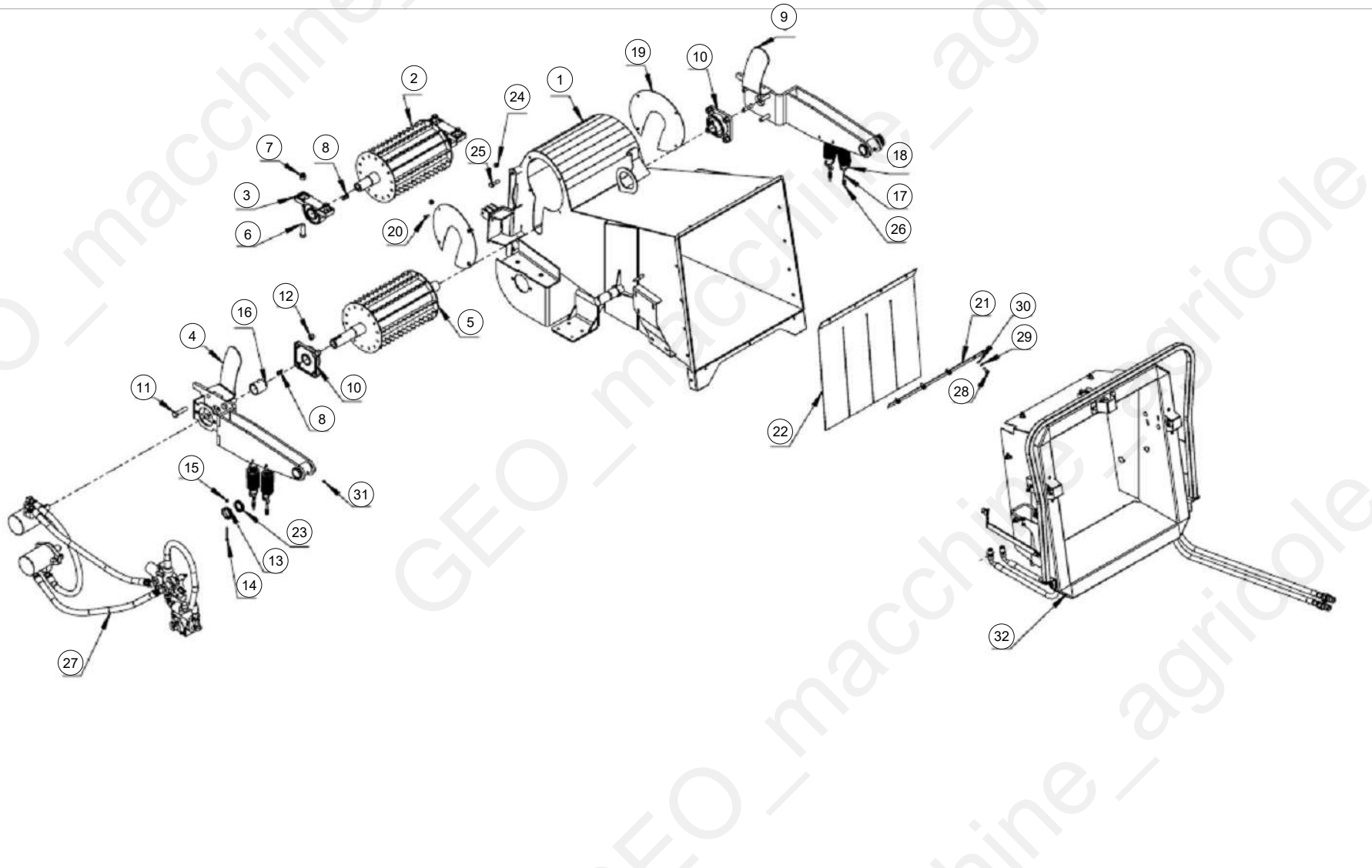
Pos	Code	Description	NOTE	Q.
1	BX92R.00.011	HOUSING-BOTTOM-WMT		0
2	BX92R.00.012	ROTOR-WMT		0
3	BX92R.00.014	BREAKER-WMT		0
4	BX92R.00.013	HOUSING-UPPER-WMT		0
5	GB/T.97.1-22	PLAIN WASHER 22		2
6	TMC120.106	IMPLEMENT PIN-UPPER		0
7	FM150.114	HITCH PIN-LOWER		0
9	GB/T.93-22	SPRING WASHER 22		2
10	GB/T.6171-M22	NUT M22x1.5		2
11	LP-12	Lock Pin 12		3
12	F210A	BEARING F210		2
13	GB/T.5786-.M14x1.5x45	BOLT M14x1.5x45		8
14	GB/T.97.1-.14	PLAIN WASHER 14		8
15	GB/T.93-.14	SPRING WASHER 14		8
16	BX92R.00.101	KNIFE-ROTOR		0
17	GB/T5783-M12x1.5X25	BOLT M12x1.5x25		20
18	BX92R.00.102	KNIFE-ANVIL		0
19	GB/T97.1-12	Plain washer 12		4
20	GB/T5783-M12x35	BOLT M12x35		4
21	GB/T889.1-M12	LOCK NUT M12		4
22	GB/T5783-M12x25	BOLT M12x25		1
23	BX92R.00.103	BRACKET		1
24	BX92R.00.104	PTO COVER		1
25	GB/T5783-M10x20	BOLT M10x20		2
26	GB/T889.1-M10	LOCKNUT M10		3

Machine: ECO 22-Z

Assembly: ECO22-Z_parte 1



Pos	Code	Description	NOTE	Q.
27	BX92R.00.021	GAS SPRING		2
28	GB/T.5782-M8x65	BOLT M8x65		2
29	GB/T889.1-M8	LOCKNUT M8		2
30	BX92RS.00.016	BASE-WMT		0
31	GB5783-M12x30	Bolt M12X30		4
32	LP-5	Lock pin 5		1
33	GB93-12	spring washer 12		4
34	GB97.1-12	plain washer 12		4
36	BX92RSA.1560	Prolunga ECO22		0



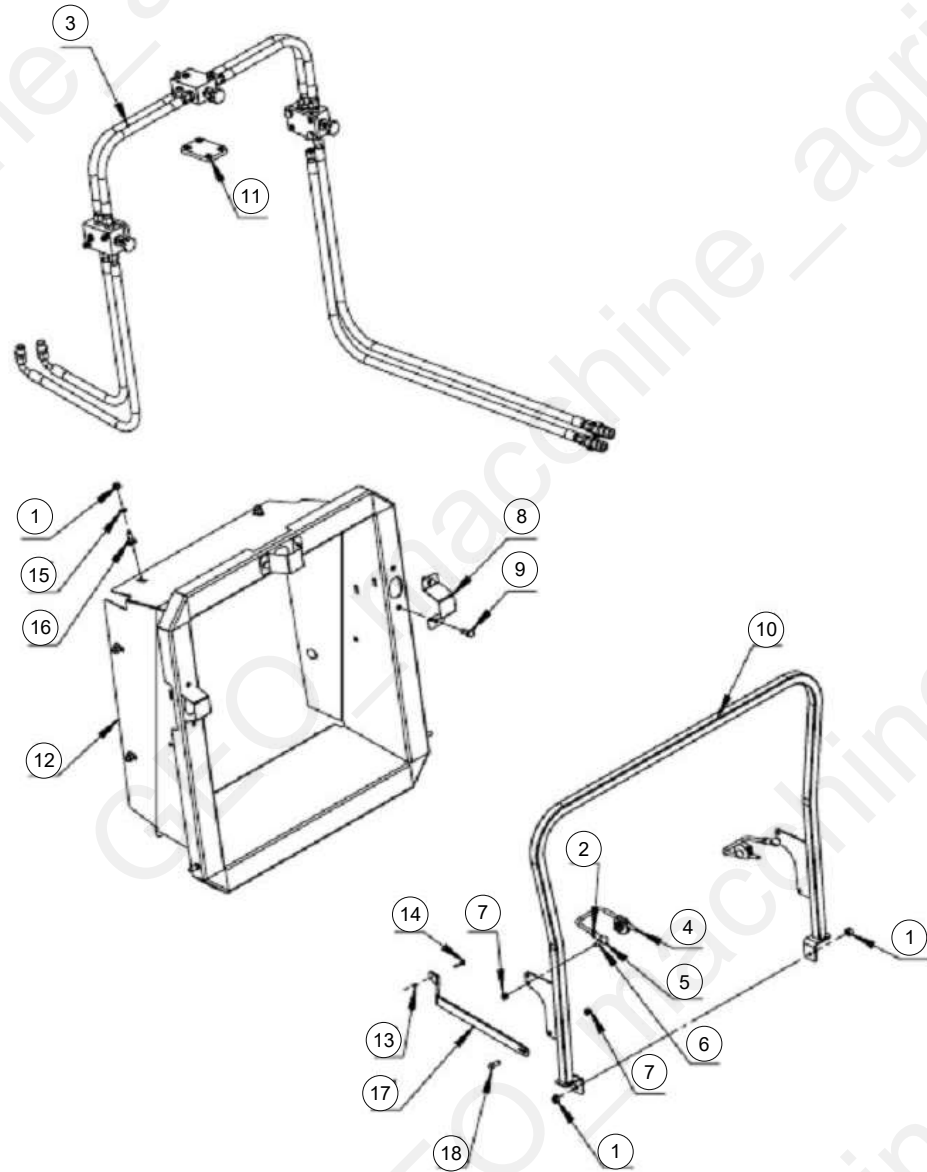
Pos	Code	Description	NOTE	Q.
1	BX92RSA.10.011	INFEED HOPPER-WMT		0
2	BX92RS.10.013	LOWER FEED ROLLER-WMT		0
3	P208	BEARING P208		2
4	BX92RS.10.014	LEFT ARM-WMT		0
5	BX92RS.10.012	UPPER ROLLER-WMT		0
6	GB/T5783-M16x50	BOLT M16x50		4
7	GB889.1-M16	Locking nut M16		4
8	BX62R.00.102	KEY A8x32x10		2
9	BX92RS.10.015	RIGHT ARM-WMT		0
10	F208	BEARING F208		2
11	GB5782-M14x60	Bolt M14x60		8
12	GB889.1-M14	Locking nut M14		8
13	BX92R.10.103	LOCKING SLEEVE		2
14	GB/T.5782-M6x60	BOLT M6x60		2
15	GB/T.889.1-M6	LOCKNUT M6		2
16	BX62RS.10.101	SPACER		1
17	BX92R.10.101	HOOK SCREW		4
18	BX92R.10.102	TENSION SPRING 2		4
19	BX92R.10.104	PLATE-COVER		0
20	GB/T.5783-M8x16	BOLT M8x16		8
21	BX92RSA.10.101	BAR		1
22	BX92RSA.10.102	FLAP		1
23	BX62R.10.101	WASHER		4
24	GB889.1-M10	Locking nut M10		2
25	GB27-M12x40	BOLT FOE REAMD HOLE M12x40		2

Machine: ECO 22-Z

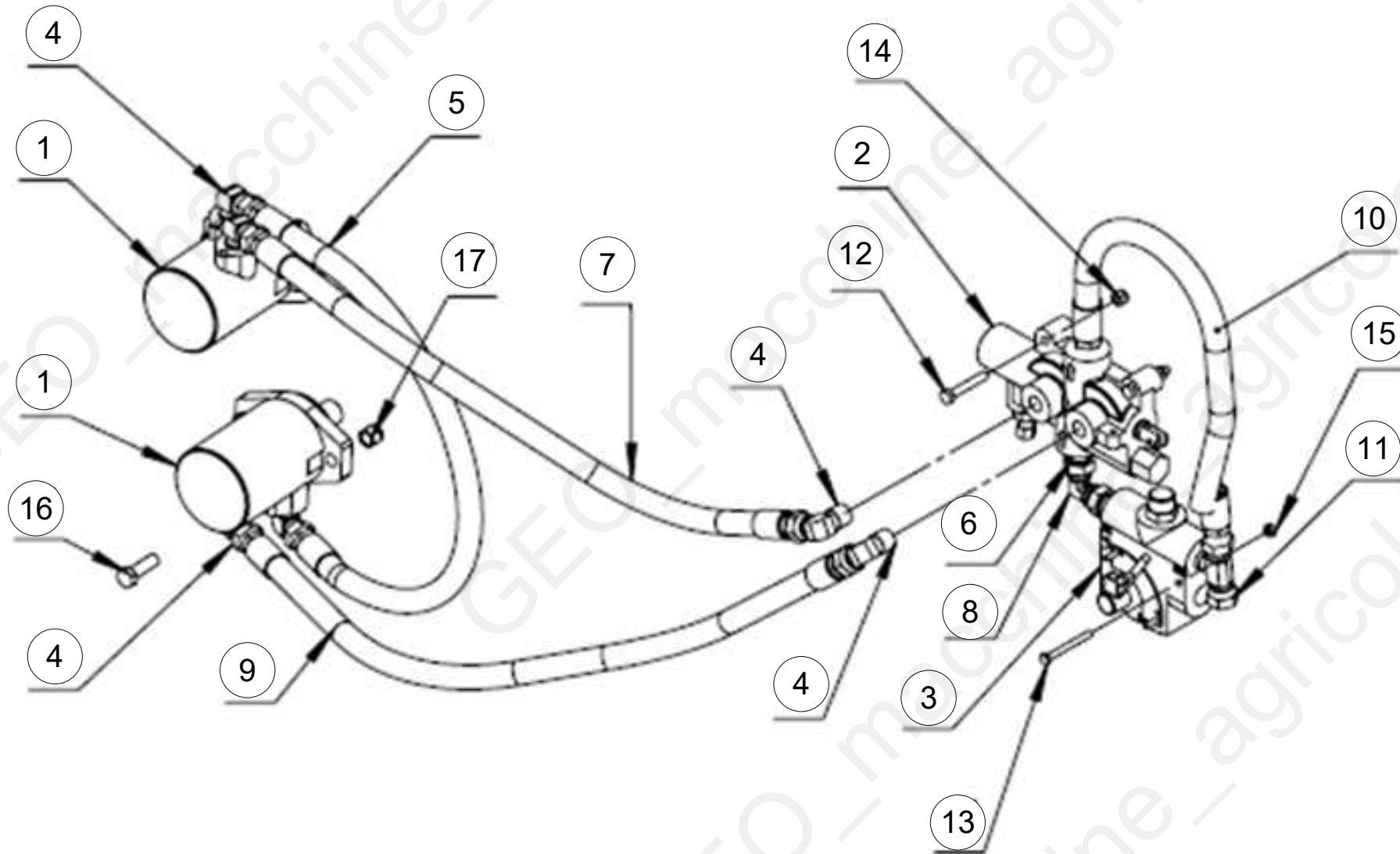
Assembly: ECO22-Z_parte 2



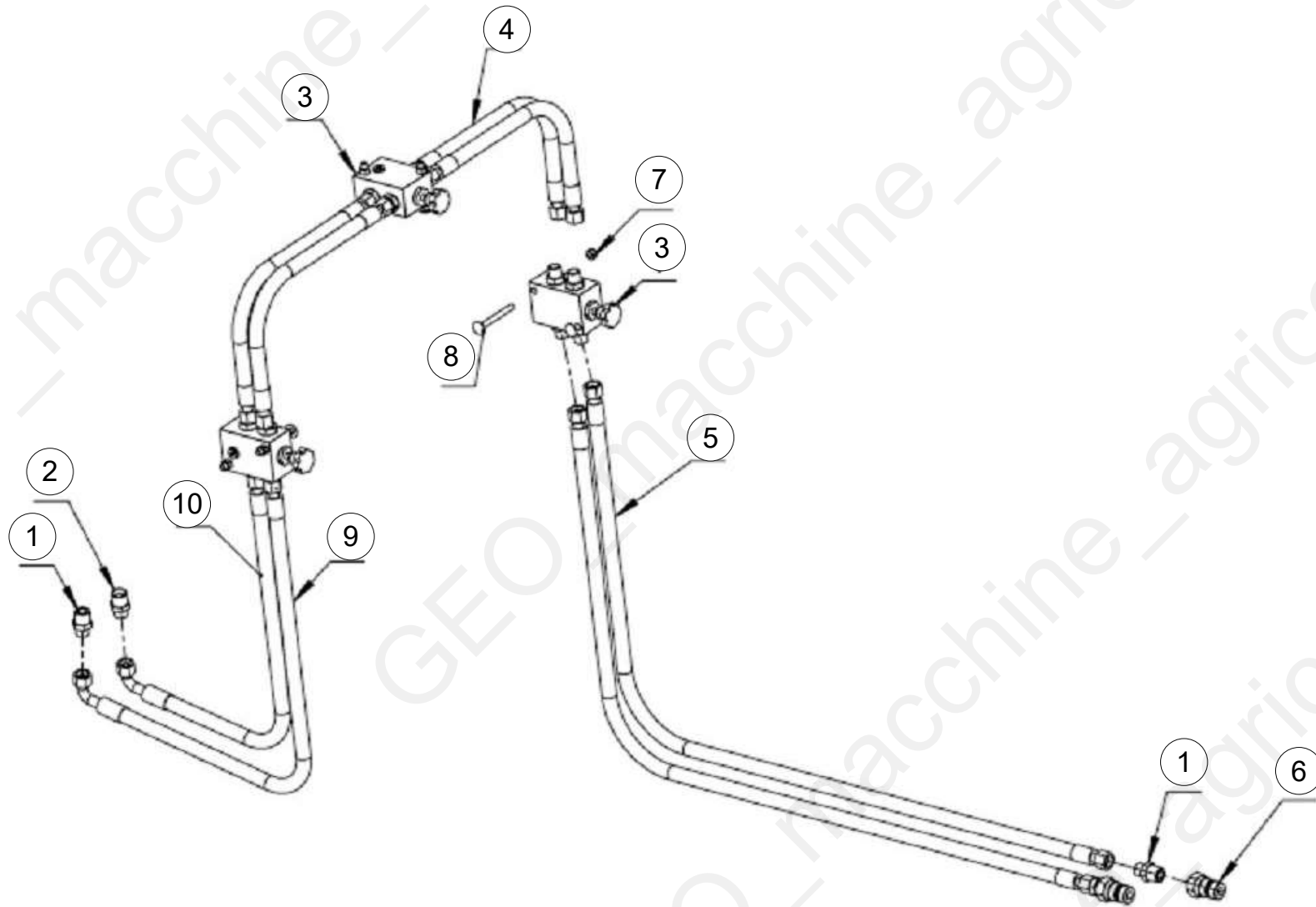
Pos	Code	Description	NOTE	Q.
26	GB6170-M8	Nut M8		8
28	GB5783-M8x20	bolt M8X20		4
29	GB93-8	Spring washer 8		4
30	GB97.1-8	Plain washer 8		4
31	GB1152-M6	Grease Nipple M6		2



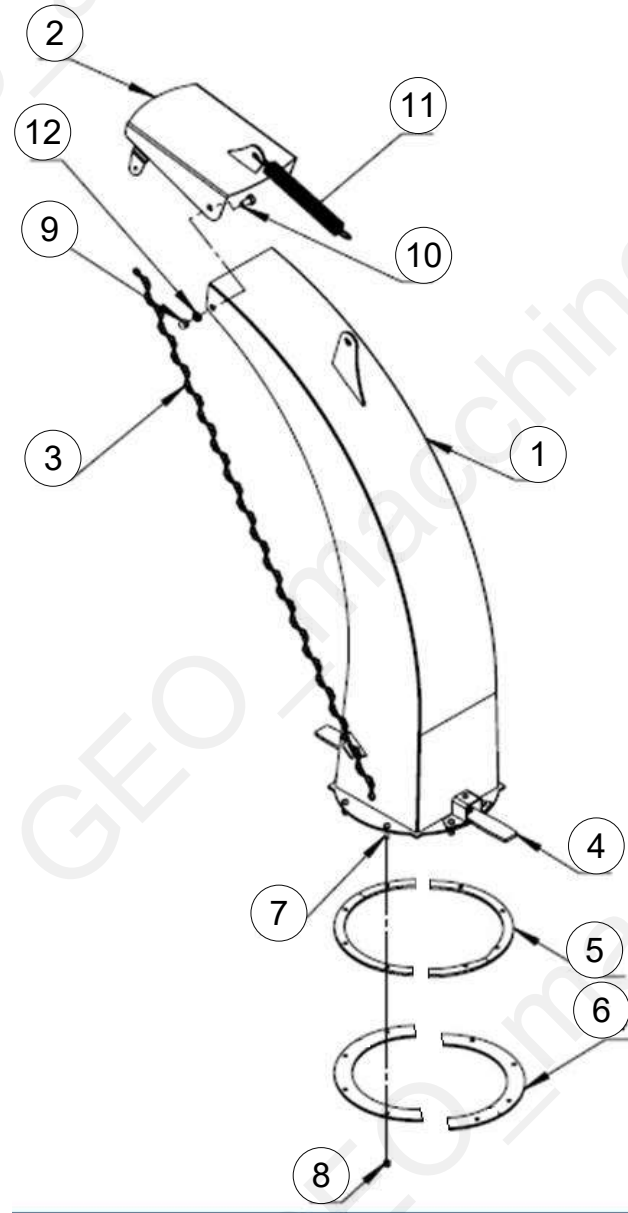
Pos	Code	Description	NOTE	Q.
1	GB889.1-M10	Locking nut M10		11
2	GB6170-M8	Nut M8		2
4	BX92RSA.10.015	CAPTURE-ASSEMBLY		1
5	AH320.0A.105-1	BALL JOINTS-SET		0
6	AH320.0A.105-2	BALL JOINTS-SET		0
7	GB889.1-M8	Locking nut M8		3
8	BX92RSA.10.110	COVER-VALVE		1
9	GB5783-M10x25	Bolt M10X25		9
10	BX92RSA.10.014	HANDLE-WMT		0
11	BX92RSA.10.120	PLATE		3
12	BX92RSA.10.041	ADDITIONAL HOPPER-WMT		0
13	GB889.1-M5	Locking nut M5		1
14	GB5782-M5x25	Bolt M5x25		1
15	GB97.1-10	PLAIN WASHER 10		9
16	GB/T14-M10x25	SQUARE NECK BOLT M10x25		6
17	BX92RSA.10.114	LINK BAR		1
18	GB5783-M8x25	bolt M8X25		1



Pos	Code	Description	NOTE	Q.
1	BMP-250	Motor bmp-250		2
2	X-20-1	CONTROL VALVE X-20-1		1
3	RD1900-A	FLOW CONTROL VALVE RD1900		1
4	BX122R.30.102	ELBOW FITTING-SINGLE NUT		0
5	BX92RSA.30.011	HOSE-MOTOR-MOTOR		0
6	BX122R.30.101	STRAIGHT FITTING-SINGLE NUT		0
7	BX92RSA.30.012	HOSE-VALVE-MOTOR-UPPER		0
8	BX122R.30.104	ELBOW FITTING-DOUBLE NUT		0
9	BX92RSA.30.013	HOSE-VALVE-MOTOR-LOWER		0
10	BX92RSA.30.014	HOSE-VALVE-VALVE RETURN		0
11	BX122R.30.103	TEE JOINT		1
12	GB5782-M8x50	Bolt M8X50		3
13	GB5782-M6x60	Bolt M6x60		2
14	GB889.1-M8	Locking nut M8		3
15	GB889.1-M6	Locking nut M6		2
16	GB5783-M12x40	BOLT M12x40		4
17	GB889.1-M12	Locking nut M12		4



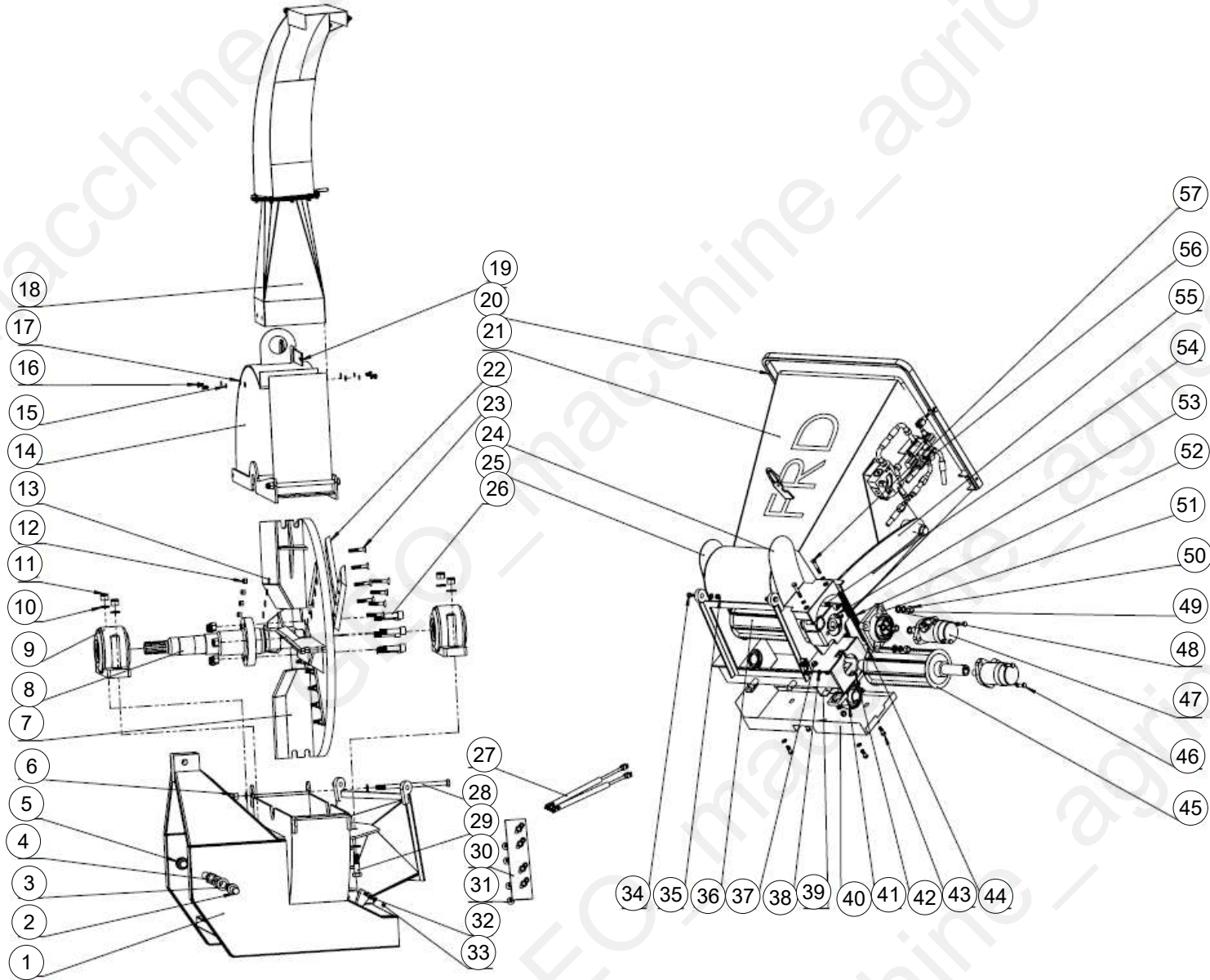
Pos	Code	Description	NOTE	Q.
1	BX92RSA.30.101	STRAIGHT FITTING		3
2	BX92RSA.30.102	STRAIGHT FITTING		1
3	SV-12/5	EMERGENCY STOP		3
4	BX92RSA.30.015	HOSE		4
5	BX92RSA.30.018	HOSE		2
6	KJ-R1-2-M	QUICK CONNECTER-MALE		0
7	GB889.1-M8	Locking nut M8		6
8	GB/T14-M8×75	SQUARE NECK BOLT M8x75		6
9	BX92RSA.30.017	HOSE-INLET		0
10	BX92RSA.30.016	HOSE-OUTLET		0



Pos	Code	Description	NOTE	Q.
1	BX62R.20.011	DISCHARGE CHUTE-WMT		1
2	BX62R.20.012	DEFLECTER-WMT		1
3	BX62R.20.013	CHAIN-ASM		1
4	BX62R.20.014	HOOD LATCH-ASM		1
5	BX62R.20.101	PLATE-SPACER		2
6	BX62R.20.102	PLATE-CAPTURE		2
7	GB/T.5783-M6x20	BOLT M6x20		8
8	GB/T.889.1-M6	LOCKNUT M6		8
9	GB802-M8	ACORN NUT M8		2
10	GB5783-M10x20	BOLT M10x20		2
11	BX62R.20.103	TENSION SPRING		1
12	GB/T6172.1-M10	THIN NUT M10		2

ECO 22 2014 2017

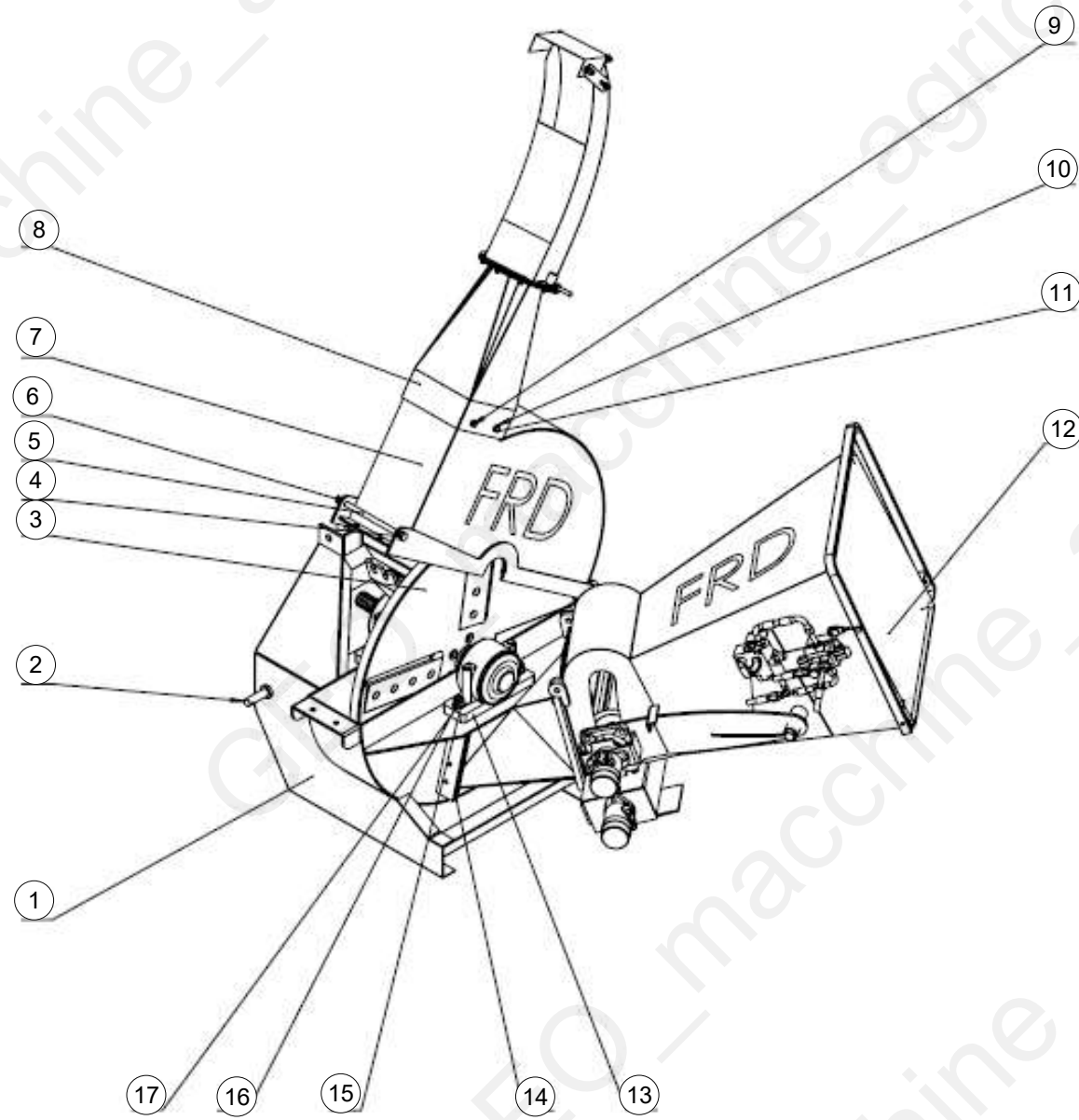




Pos	Code	Description	NOTE	Q.
1	ECO22-001	Engine Body		1
2	ECO22-002	Hanger Pin		2
3	ECO22-003	WASHER 27		2
4	GB/T.93-1987-27	Spring washer 27		2
5	GB/T.41-2000-27	Nut M27		2
6	GB/T.889.1-2000-16	Lock Nut M16		2
7	ECO22-007	Chipper Disc Weldment		1
8	ECO22-008	Drive Shaft(H)		1
9	ECO22-009	Bearings SNL516-613		2
10	ECO22-010	WASHER 20		8
11	ECO22-011	LOCKNUT 20		10
12	ECO22-012	LOCKNUT 12		24
13	GB/T.95-2000-12	WASHER 12		32
14	ECO22-014	Upper Housing		1
15	GB/T.93-1987-10	Spring washer 10		10
16	GB/T5781-2000-M10×16	BOLT M10×16		4
17	GB/T97.1-2002-10	Plain washer 10		16
18	ECO22-018	Discharge Tube Unit For 92		1
19	ECO22-019	Clevis		1
20	ECO22-020	Reversing Lever		1
21	ECO22-021	Double Roller Feeding Chute		1
22	ECO22.10.022	Blade for BX-92		4
23	ECO22-023	SCREW M12×65		16
24	ECO22-024	Roller Cover 2		1
25	ECO22-025	Roller Cover 1		1

Pos	Code	Description	NOTE	Q.
26	ECO22-026	Screws socket head M20×80		6
27	ECO22-027	Cylinder		2
28	GB/T5780-2000-M16x280	Bolt M16×280		2
29	ECO22-029	BOLT M20×75		4
30	ECO22-030	ANVIL		1
31	ECO22-031	SCREW M12×40		4
32	GB/T.5781-2000-M8×30	BOLT M8×30		4
33	GB/T.6184-2000-8	LOCKNUT 8		4
34	GB/T5782-2000-M10x50	BOLT M10×50		2
35	GB/T.889.1-2000-10	Lock Nut M10		3
36	F-TH07-1	ACTIVE FEEDING ROLLER(H)		1
37	ECO22-037	BOLT M12×50		4
38	GB/T97.1-2002-8	Plain washer 8		8
39	ECO22-039	Roller Cross Wall		2
40	ECO22-040	Roller Cover		1
41	ECO22-041	Bearing P208		2
42	GB/T.93-1987-12	Spring washer 12		4
43	GB/T5782-2000-M10x30	Bolt M10x30		5
44	GB825-88-M10	Ring bolt M10×20		4
45	F-TH06-2	FIXED FEEDING ROLLER		1
46	GB/T5781-2000-M10×40	BOLT M10×40		4
47	F-TY-A02.P01	Hydraulic motor		2
48	GB/T.95-2000-16	WASHER 16		12
49	GB/T.93-1987-16	Spring washer 16		8
50	GB/T.41-2000-16	Nut M16		8

Pos	Code	Description	NOTE	Q.
51	ECO22-051	BEARING F210		2
52	F-TY18	TENSION SPRING		4
53	GB/T.41-2000-12	Nut M12		4
54	ECO22-054	BOLT M16×55		8
55	ECO22-055	Swing Arm For BX92		1
56	ECO22-056	Hydraulic Control Unit		1
57	ECO22-057	BOLT M10×60		2



Pos	Code	Description	NOTE	Q.
1	ECO22.1.001	Engine Body		1
2	ECO22.1.002	Hanger Pin		2
3	ECO22.1.003	Chipper Disc Assembly		1
4	GB/T.95-2000-16	WASHER 16		4
5	ECO22.1.005	Bolt M16×280		2
6	GB/T.889.1-2000-16	Lock Nut M16		2
7	ECO22.1.007	Upper Housing		1
8	ECO22.1.008	Discharge Tube Unit For 92		1
9	GB/T.93-1987-10	Spring washer 10		4
10	GB/T97.1-2002-10	Plain washer 10		4
11	GB/T5781-2000-M10×16	BOLT M10×16		4
12	ECO22.1.012	Feeding Chute		1
13	ECO22.1.013	Bearings SNL516-613		2
14	ECO22.1.014	ANVIL		1
15	ECO22.1.015	LOCKNUT 20		2
16	ECO22.1.016	BOLT M20×75		2
17	ECO22.1.017	WASHER 20		4

KIT_Protezione



1



Machine: KIT_Protezione

Assembly: KIT_PROT



Pos	Code	Description	NOTE	Q.
1	ECO.00.01	KIT Protezione Cuffie		1