

ECO 8



GEO Italy S.R.L.

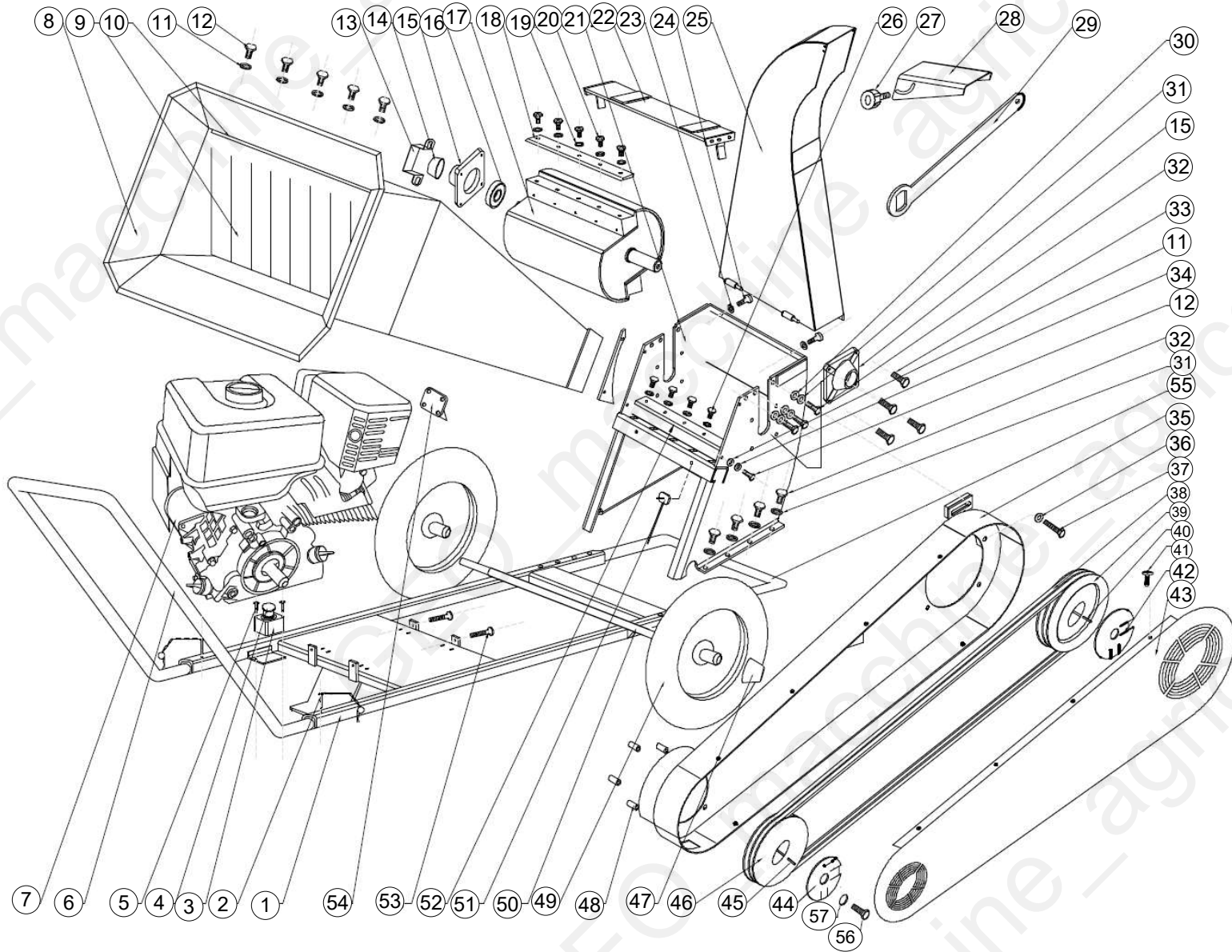
Table of Contents

Tavola	Page
ECO 8	3
ECO 8FMH	8
KIT_Protezione	13
MOTORE JF340-390-420	16

ECO 8



GEO Italy S.R.L.



Pos	Code	Description	NOTE	Q.
1	ECO8F.01	frame		1
2	ECO8F.02	pin		2
3	ECO8F.03	emergency switch box		1
4	ECO8F.04	emergency switch		1
5	ECO8F.05	bolt		2
6	ECO8F.06	handle		1
7	JF420	engine JF420		1
8	ECO8F.08	hopper		1
9	ECO8F.09	rubber cover		1
10	ECO8F.010	strip 3mm		1
11	ECO8F.011	washer M6		6
12	ECO8F.012	bolt M6		6
13	ECO8F.013	lock washer		1
14	ECO8F.014	cap Bearing		1
15	ECO8F.015	Bearing House		2
16	ECO8F.016	bearing		2
17	ECO8F.017	rotor		1
18	ECO8F.018	blade		2
19	ECO8F.019	washer		5
20	ECO8F.020	special bolt for blade		5
21	ECO8F.021	shredder box		1
22	ECO8F.022	top of the box		1
23	ECO8F.023	washer		2
24	ECO8F.024	bolt		2
25	ECO8F.025	conveyer		1

Pos	Code	Description	NOTE	Q.
26	ECO8F.026	bolt for counter blade		5
27	ECO8F.027	bolt special		1
28	ECO8F.028	deflector		1
29	ECO8F.029	rotor key		1
30	ECO8F.030	locking washer M8		6
31	ECO8F.031	washer		14
32	ECO8F.032	bolt		14
33	ECO8F.033	bolt for bearing housing		8
34	ECO8F.034	locking washer M6		2
35	ECO8F.035	belt cover		1
36	ECO8F.036	washer		8
37	ECO8F.037	bolt		8
38	ECO8F.038	V belt A1780-13x1750L-A69		2
39	ECO8F.039	belt pulley 146		1
40	ECO8F.040	key for rotor		1
41	ECO8F.041	screw		4
42	ECO8F.042	safety ring for Rotor		1
43	ECO8F.043	belt cover - top		1
44	ECO8F.044	safety ring for engine		1
45	ECO8F.045	key		1
46	ECO8F.046	belt pulley		1
47	ECO8F.047	cap for wheel		1
48	ECO8F.048	spacer		4
49	ECO8F.049	wheel		2
50	ECO8F.050	axle		1

Machine: ECO 8

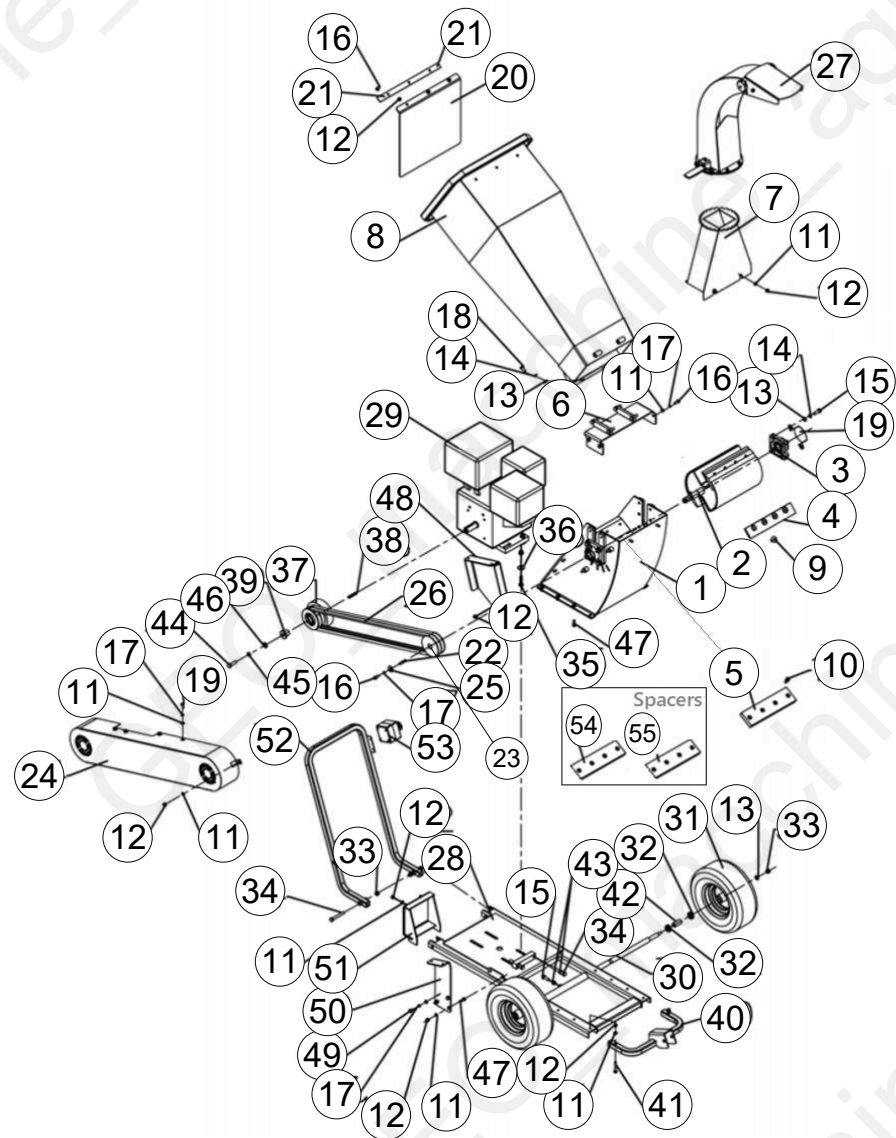
Assembly: ECO8_parte 1



Pos	Code	Description	NOTE	Q.
51	ECO8F.051	safety switch		1
52	ECO8F.052	counter blade		1
53	ECO8F.053	bolt		2
54	ECO8F.054	cover of the muffler		1
55	ECO8F.055	bumper		1
56	ECO7.01.127	Engine_bolt M8x40		1
57	GB5287-8x28x3	WASHER 8x28x3		1

ECO 8FMH





Pos	Code	Description	NOTE	Q.
1	SZ27.011	bottom housing		1
2	SZ27.013	knife rotor		1
3	UCFU205	bearing UCFU 205		2
4	SZ27.102	knife		2
5	SZ27.101	counter knife		1
6	SZ27.015	linkage		1
7	SZ27.016	discharge chute- lower		0
8	SZ27.014	feed hopper		1
9	GB70.3-M12X20	bolt M12X20		8
10	GB70.1-M10x20	Bolt M10X20		4
11	GB97.1-8	Plain washer 8		26
12	GB889.1-M8	Locking nut M8		21
13	GB97.1-10	PLAIN WASHER 10		16
14	GB93-10	spring washer 10		10
15	GB5783-M10x30	Bolt M10X30		9
16	GB5783-M8x20	bolt M8X20		8
17	GB93-8	Spring washer 8		11
18	GB5783-M10x20	Bolt M10x20		2
19	SZ27.103	bearing guarder		1
20	SZ27.104	hopper guarder		1
21	SZ27.105	plate		1
22	GB1096-A8x7x40	key A8X7X40		1
23	SZ27.108	belt pulley		1
24	SZ27.019	cover		1
25	GB97.1-9x28x3	washer 9X28X3		1

Pos	Code	Description	NOTE	Q.
26	GB1171-B1854Li	belt B1854 Li		2
27	1011A101	Assembly- Discharge Chute		0
28	SZ27.012	base frame		1
29	JF420	engine JF420		1
30	SZ27.106	axle		1
31	SZ27.018	wheel assy 13X5-6		2
32	GB276-6002Z	bearing 6002Z		4
33	GB889.1-M10	Locking nut M10		8
34	GB5783-M10x75	bolt M10X75		4
35	GB5783-M10x45	Bolt M10X45		4
36	GB96-10x30x2.5	washer 10X30X2.5		4
37	SZ27.022	clutch pulley		1
38	GB1096-A7x7x50	key A7X7X50		1
39	AT120.114	Spacer Washer for Pulley 2 grooves		1
40	SZ27.017	front hitch		1
41	GB5782-M8x50	Bolt M8X50		2
42	SZ27.107	bush		2
43	GB6170-M10	Nut 10		3
44	7-16-20x1.5UNF	bolt 7-16-20x1.5UNF		1
45	GB93-12	spring washer 12		1
46	GB97.1-12	plain washer 12		1
47	GB5783-M8x25	bolt M8X25		8
48	SZ27.109	support		1
49	GB5783-M8x16	bolt M8X16		6
50	SZ27.110	support plate		1

Machine: ECO 8FMH

Assembly: ECO8-FMH_parte 1



Pos	Code	Description	NOTE	Q.
51	SZ27.020	leg		1
52	SZ27.021	handrail		1
53	SZ27.023	stop button		1
54	SZ27.00.01	Spacer Counter-knife Width=2mm		1
55	SZ27.00.02	Spacer Counter-knife Width=4mm		1

KIT_Protezione



1



Machine: KIT_Protezione

Assembly: KIT_PROT



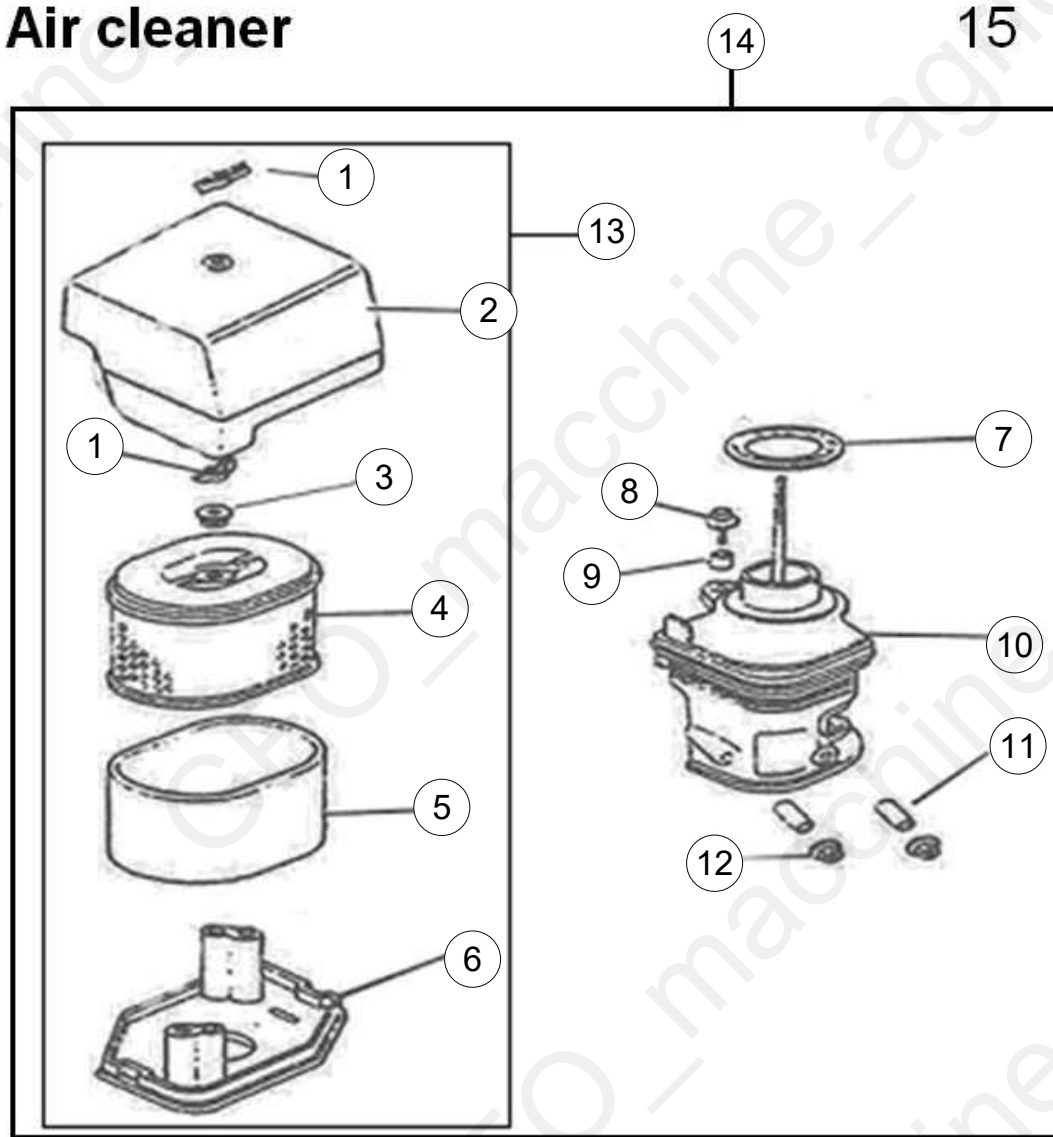
Pos	Code	Description	NOTE	Q.
1	ECO.00.01	KIT Protezione Cuffie		1

OTORE JF340-390-420



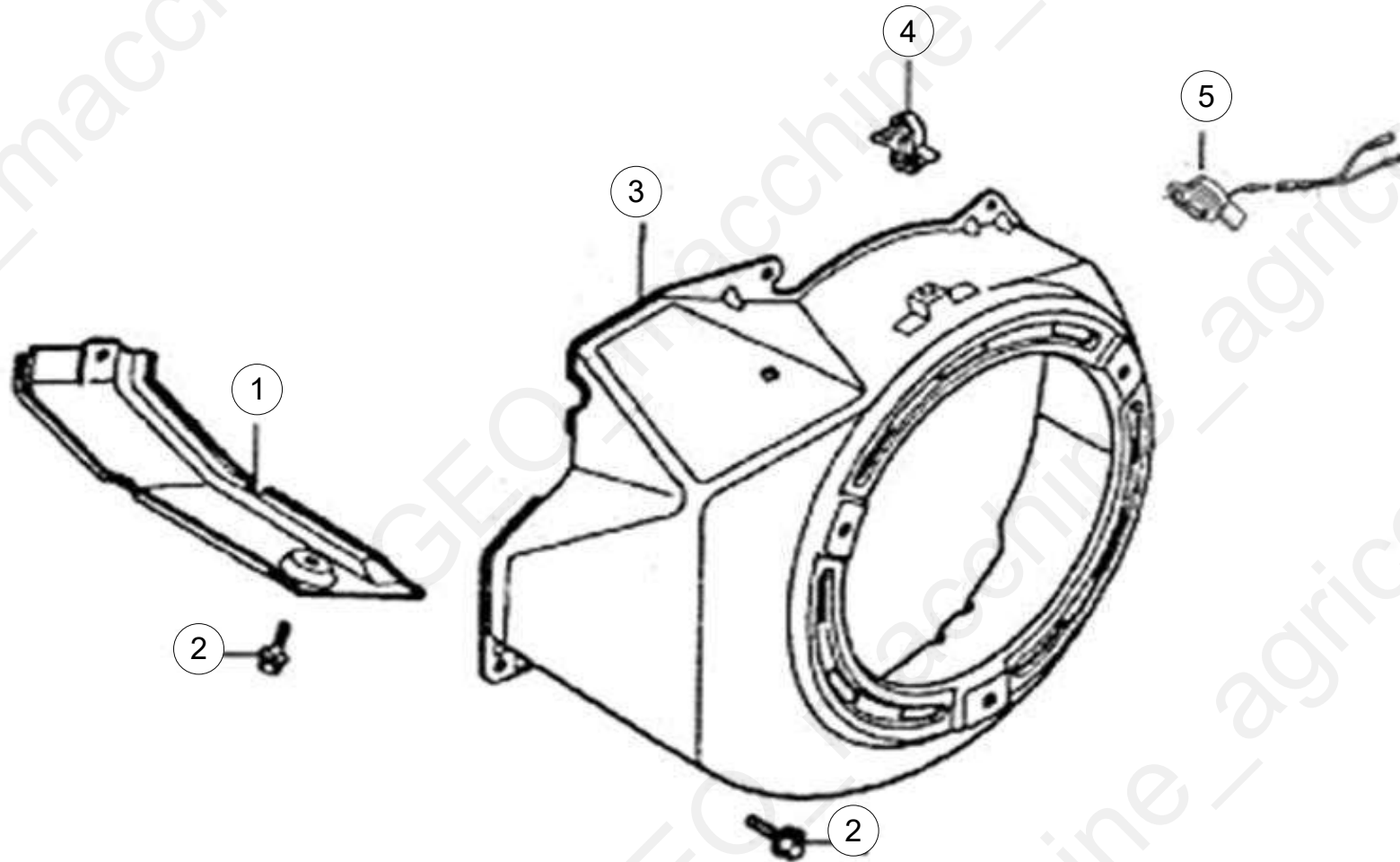
GEO Italy S.R.L.

Air cleaner



Pos	Code	Description	NOTE	Q.
1	JF340-O-01	AIR CLEANER COVER NUT		2
2	JF340-O-02	AIR CLEANER COVER		1
3	JF340-O-03	AIR CLEANER GROMMER		1
4	JF340-O-04	AIR CLEANER ELEMENT		1
5	JF340-O-05	OUTER FILTER		1
6	JF340-O-06	SILENCER NOSE		1
7	JF340-O-07	ELBOW PACKING		1
8	JF340-O-08	FLANGE BOLT (M6×20)		1
9	JF340-O-09	AIR CLEANER COLLAR		1
10	JF340-O-10	AIR CLEANER ELBOW COMP.		1
11	JF340-O-11	AIR CLEANER COLLAR		1
12	JF340-O-12	FLANGE NUT (M8)		2
13	JF340-O-13	AIR CLEANER ASSY.		1
14	JF340-O-14	COMPLETE AIR FILTER		1

Fan cover system assy.



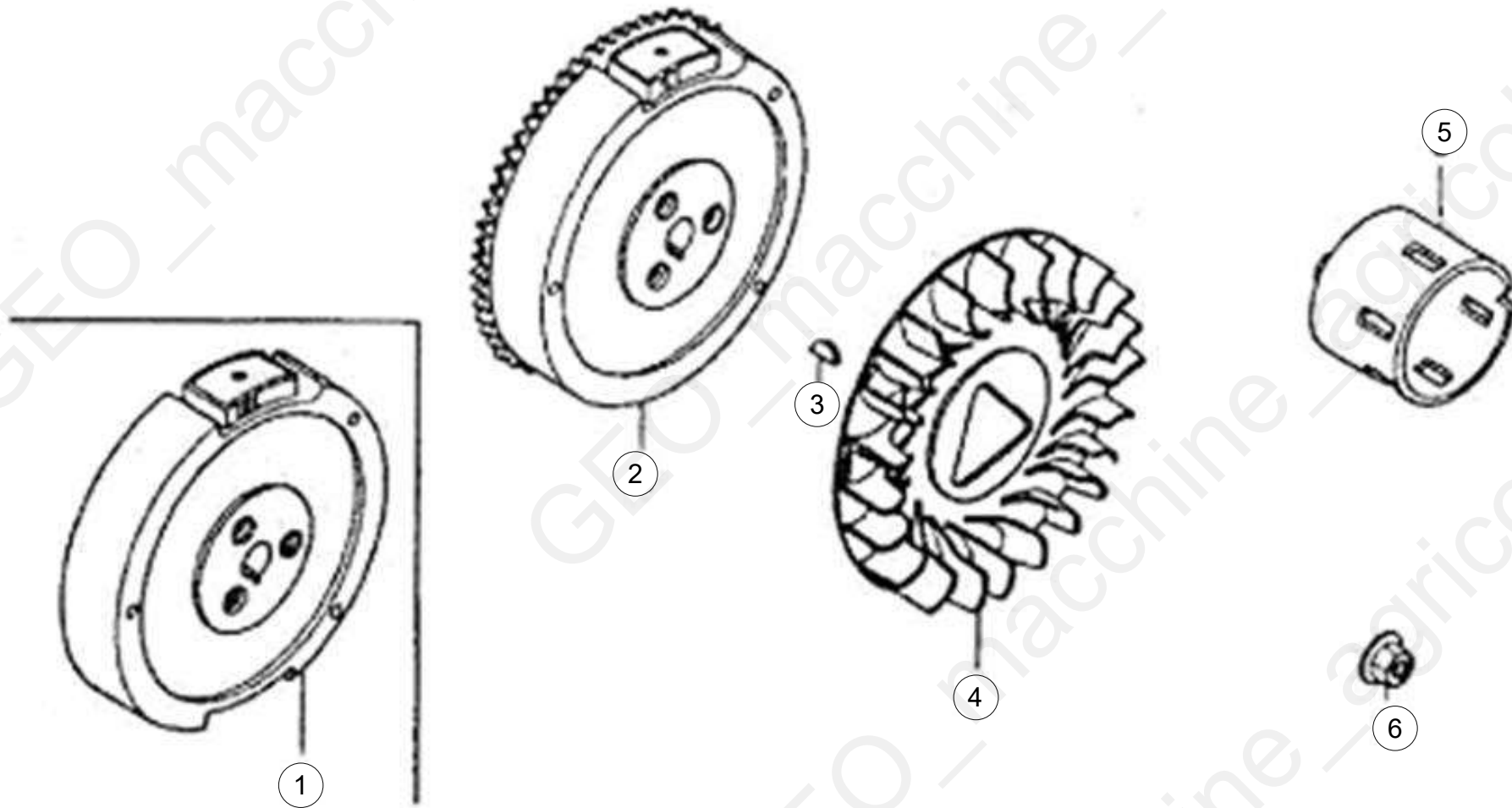
Machine: MOTORE JF340-390-420

Assembly: Motore_JD_parte 10



Pos	Code	Description	NOTE	Q.
1	JF340-H-01	SHROUD		1
2	JF340-H-02	FLANGE BOLT (M6×14)		6
3	JF340-H-03	FAN COVER COMP.		1
4	JF340-H-04	CORD CLAMPER		1
5	JF340-H-05	ENGINE STOP SWITCH ASSY.		1

Flywheel system Assy.



Machine: MOTORE JF340-390-420

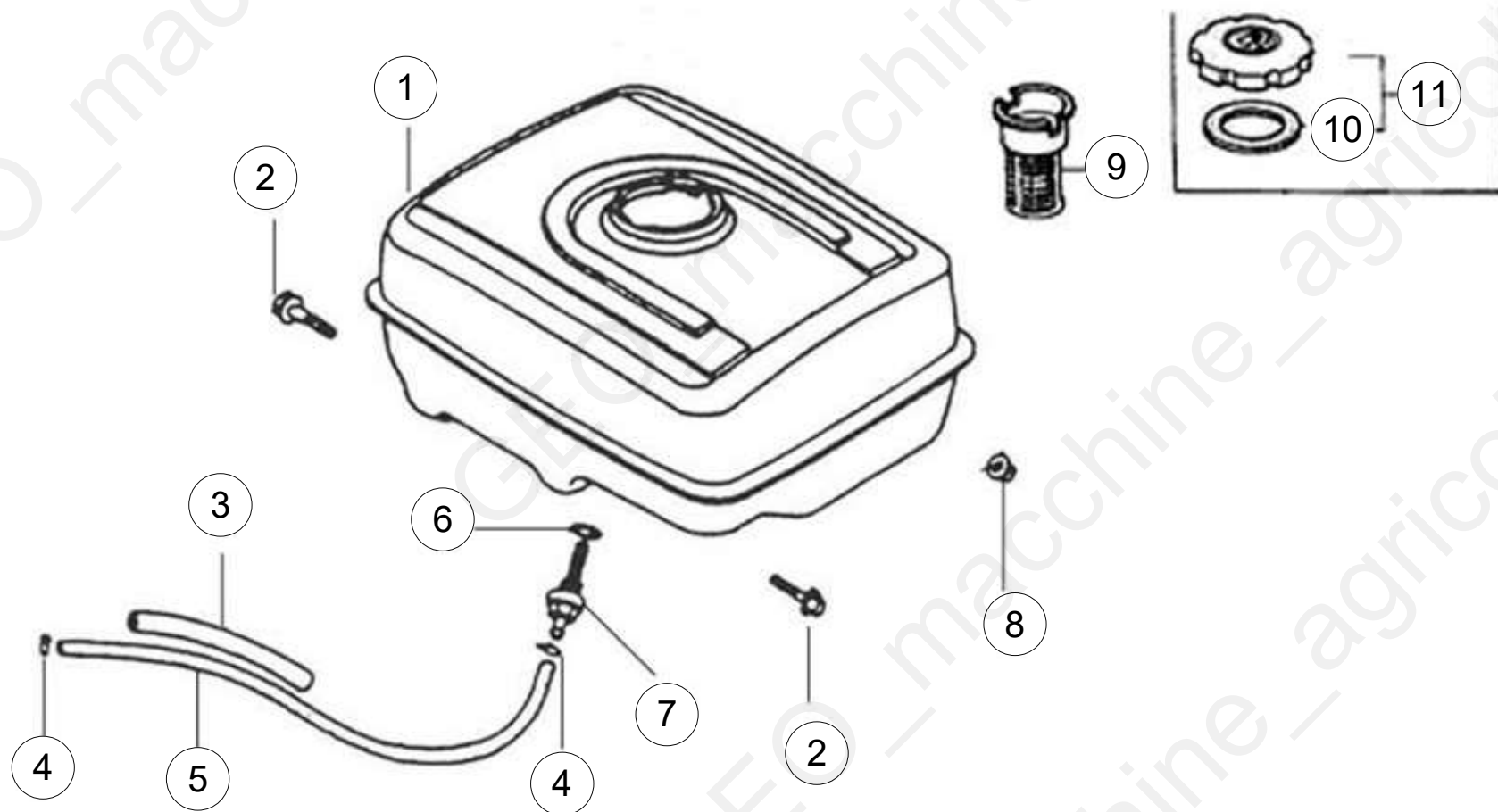
Assembly: Motore_JD_parte 11



Pos	Code	Description	NOTE	Q.
1	JF340-J-01A	FLYWHEEL		1
2	JF340-J-01B	FLYWHEEL		1
3	JF340-J-02	SPECIAL WOODRUFF KEY		1
4	JF340-J-03	COOLING FAN		1
5	JF340-J-04	STARTER PULLEY		1
6	JF340-J-05	FLYWHEEL NUT (M16)		1

Fuel tank system assy.

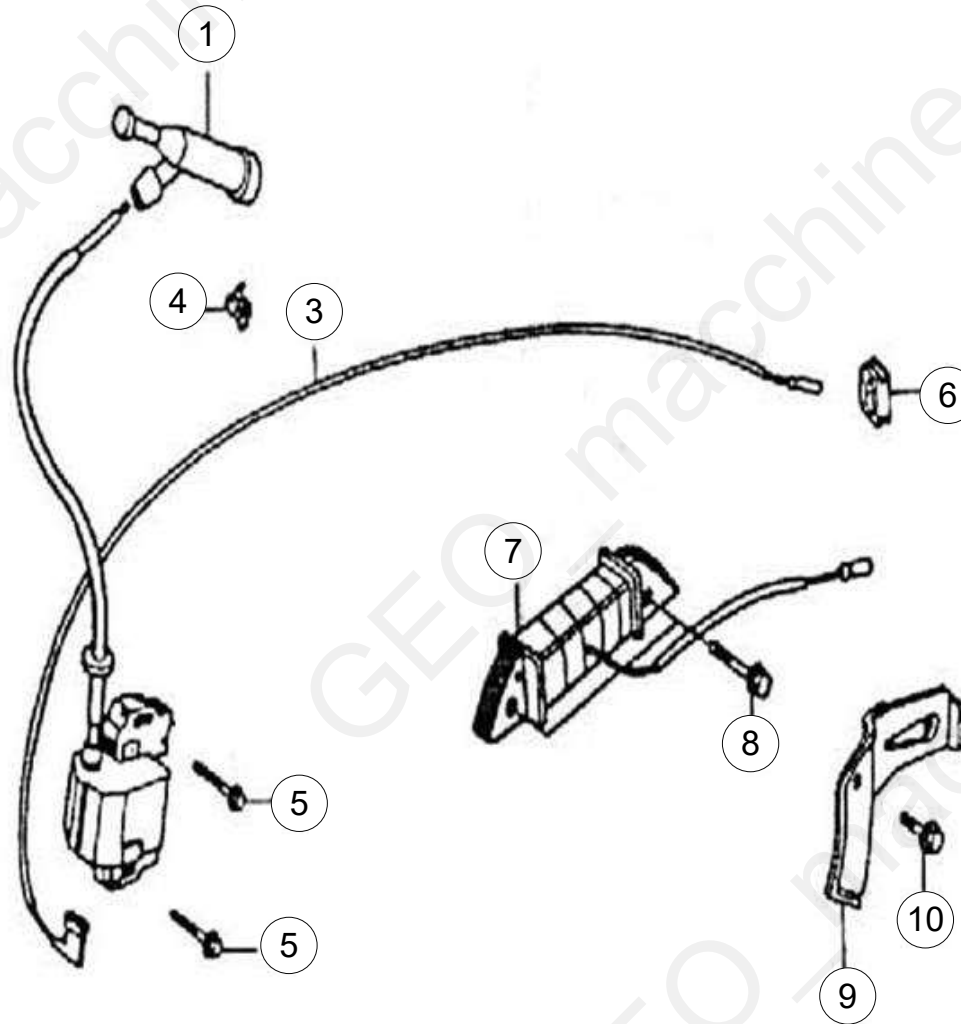
16



Pos	Code	Description	NOTE	Q.
1	JF340-P-01	FUEL TANK ASSY.		1
2	JF340-P-02	FLANGE BOLT (M8×25)		2
3	JF340-P-03	SUPPORTER RUBBER		1
4	JF340-P-04	TUBE CLIP		2
5	JF340-P-05	FUEL TUBE		1
6	JF340-P-06	O-RING (14mm)		1
7	JF340-P-07	FUEL TANK JOINT		1
8	JF340-P-08	FLANGE NUT (M6)		1
9	JF340-P-09	FUEL FILTER		1
10	JF168-N-11	FUEL FILLER CAP PACKING		1
11	JF340-P-10	FUEL FILLER CAP COMP.		1

Ignition System Assy.

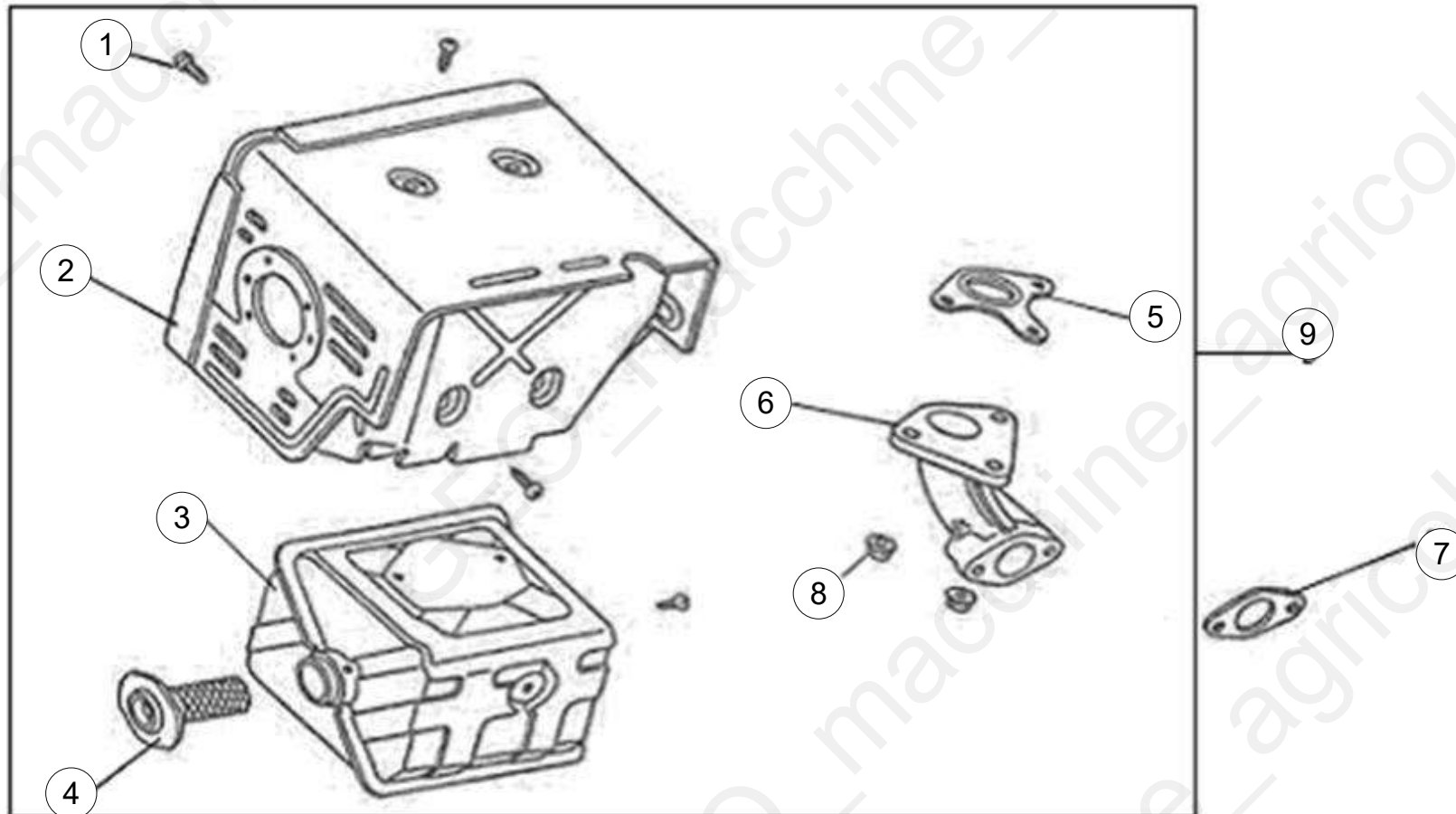
11



Pos	Code	Description	NOTE	Q.
1	JF340-K-01	PLENUM CAP		1
3	JF340-K-03	STOP SWITCH CORD		1
4	JF340-K-04	STOP SWITCH CORD HOLDER		1
5	JF340-K-05	FLANGE BOLT (M6×25)		2
6	JF340-K-06	CORD GROMMENT		1
7	JF340-K-07	CHARGE COIL ASSY.		1
8	JF340-K-08	FLANGE BOLT (M6×40)		2
9	JF340-K-09	CORD CLAMPER		1
10	JF340-K-10	FLANGE BOLT (M6×20)		1

Muffler System Assy.

14



Machine: MOTORE JF340-390-420

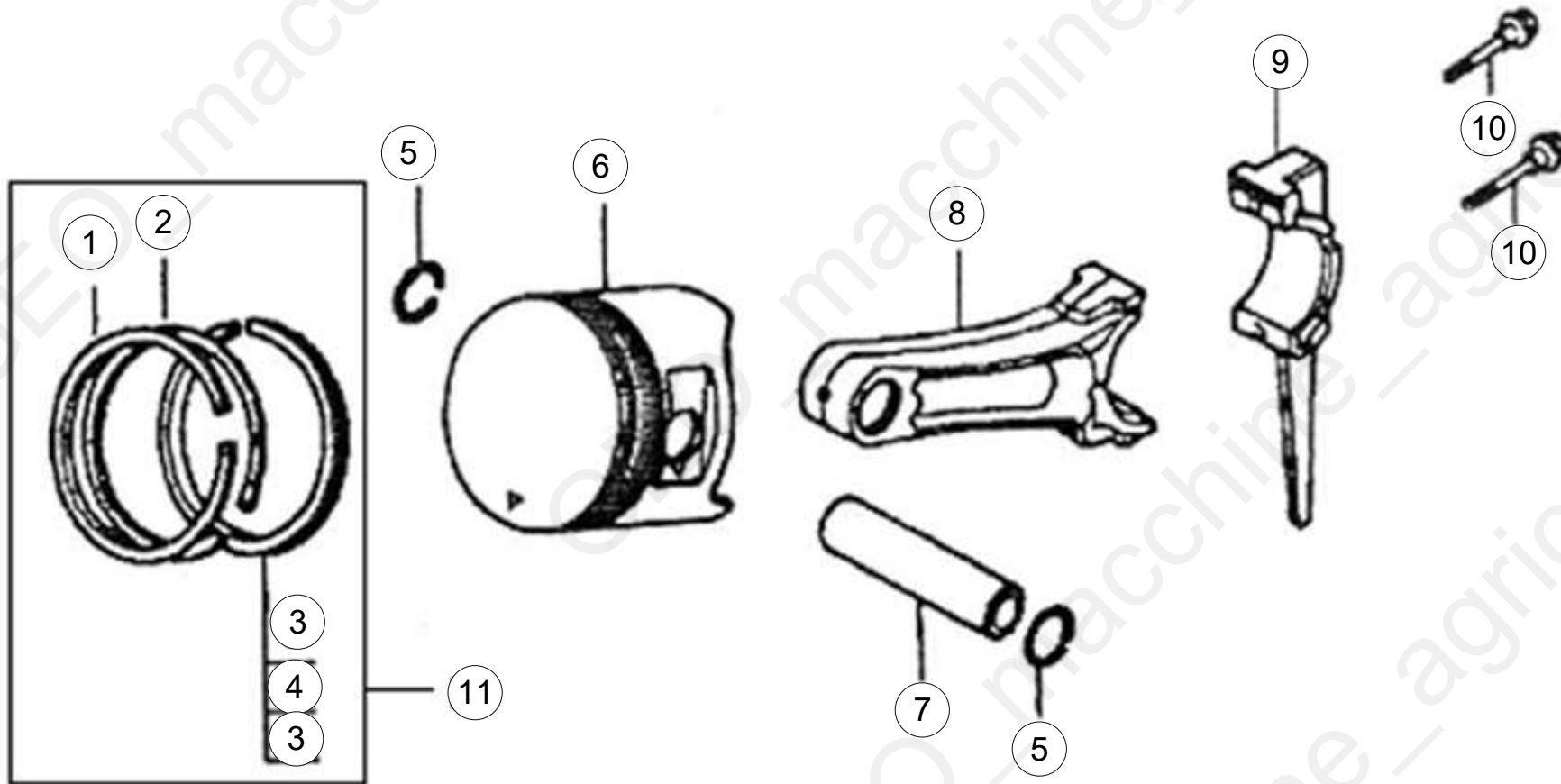
Assembly: Motore_JD_parte 14



Pos	Code	Description	NOTE	Q.
1	JF340-N-01	TAPPING SCREW (M5×8)		4
2	JF340-N-02	MUFFLER PROTECTOR COMP.		1
3	JF340-N-03	MUFFLER COMP.		1
4	JF340-N-04	SPARK ARRESTER (SILENT)		1
5	JF340-N-05	EX. PIPE GASKET		1
6	JF340-N-06	EX. PIPE COMP.		1
7	JF340-N-07	MUFFLER GASKET		1
8	JF340-N-08	FLANGE NUT (M8)		2
9	JF240-N-09	MUFFLER ASSY.		1

Piston and connecting rod system assy.

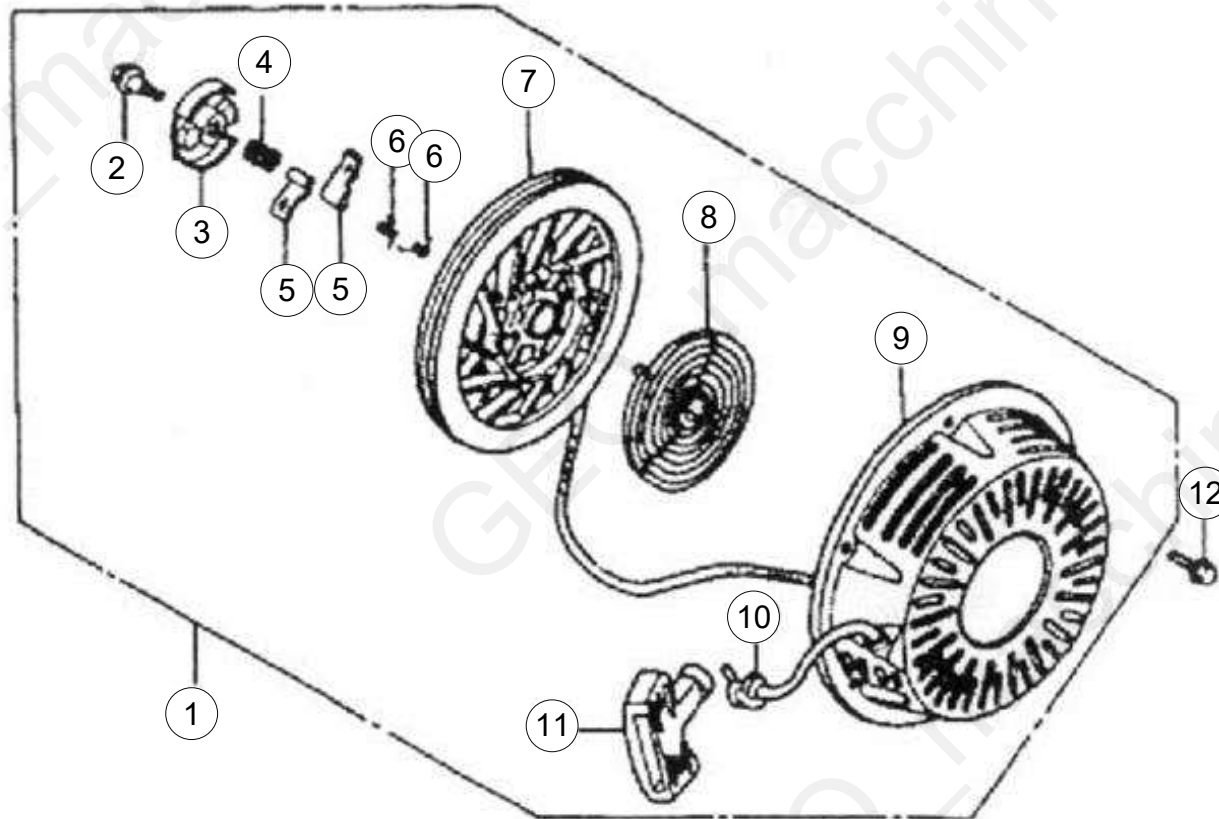
5



Pos	Code	Description	NOTE	Q.
1	JF340-E-01	COMPRESSION RING A		1
2	JF340-E-02	COMPRESSION RING B		1
3	JF340-E-03	OIL RING A		2
4	JF340-E-04	OIL RING B		1
5	JF240-E-05	PISTON PIN CLIP (20 mm)		2
6	JF340-E-05	PISTON		1
7	JF340-E-06	PISTON PIN		1
8	JF340-E-07	CONNECTING ROD		1
9	JF340-E-08	CONNECTING COVER		1
10	JF340-E-09	CONNECTING ROD BOLT		2
11	JF340-E-10	PISTON RING SET		1

Recoil starter system assy.

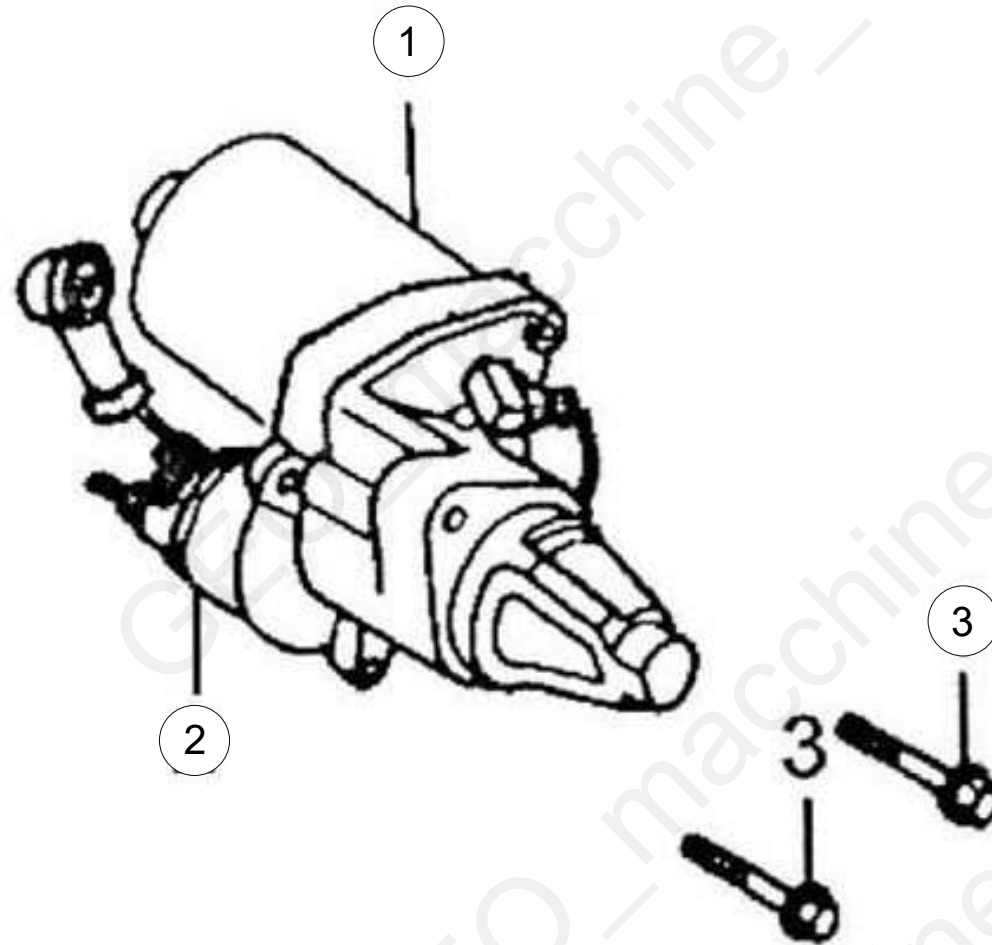
7



Pos	Code	Description	NOTE	Q.
1	JF340-G-01	RECOIL STARTER ASSY.		1
2	JF340-G-02	CENTER SCREW		1
3	JF340-G-03	SPRING RETAINER		1
4	JF340-G-04	FRICTION SPRING		1
5	JF340-G-05	STARTER RATCHET		2
6	JF340-G-06	RATCHET SPRING		2
7	JF340-G-07	RECOIL STARTER REEL		1
8	JF340-G-08	START RETURN SPRING		1
9	JF340-G-09	RECOIL STARTER CASE COMP.		1
10	JF340-G-10	RECOIL STARTER ROPE		1
11	JF340-G-11	STARTER GRIP		1
12	JF340-G-12	FLANGE BOLT (M6×8)		3

Starter motor System assy.

12



Machine: MOTORE JF340-390-420

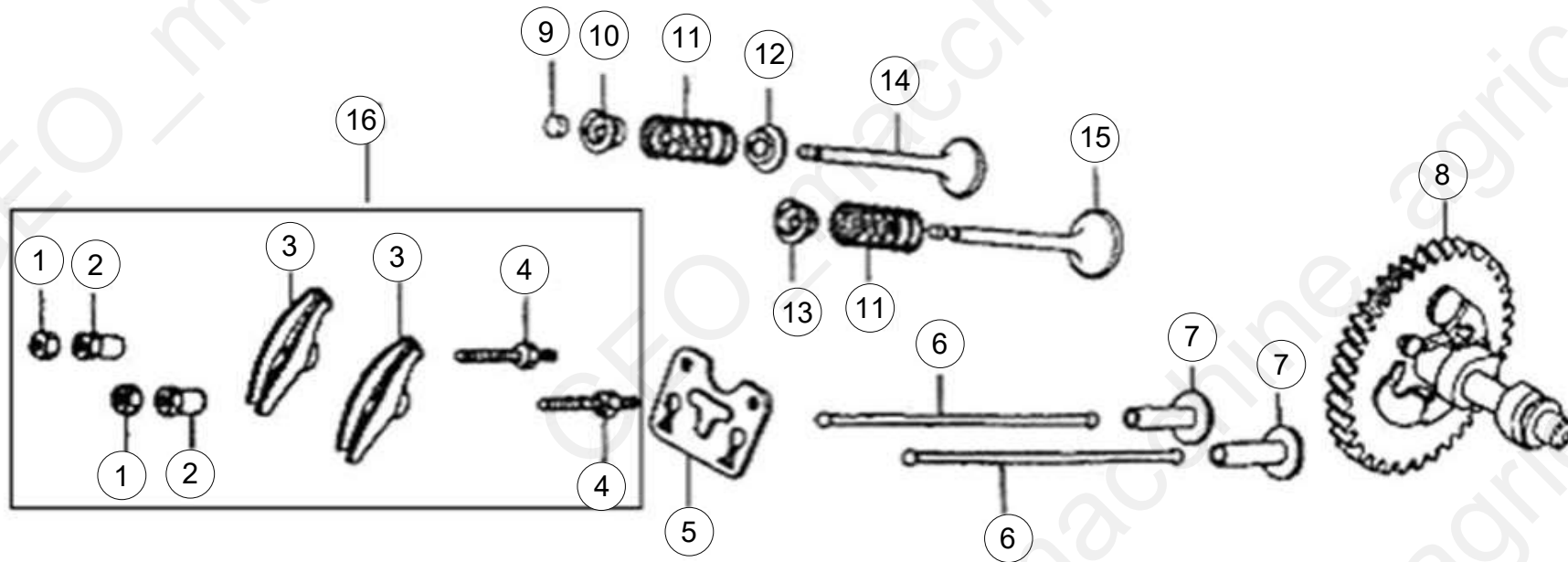
Assembly: Motore_JD_parte 17



Pos	Code	Description	NOTE	Q.
1	JF340-L-01	UNIT STARTER MOTOR		1
2	JF340-L-02	CONTACTOR ASSY.		1
3	JF340-L-03	FLANGE BOLT (M8×35)		2

Camshaft system assy.

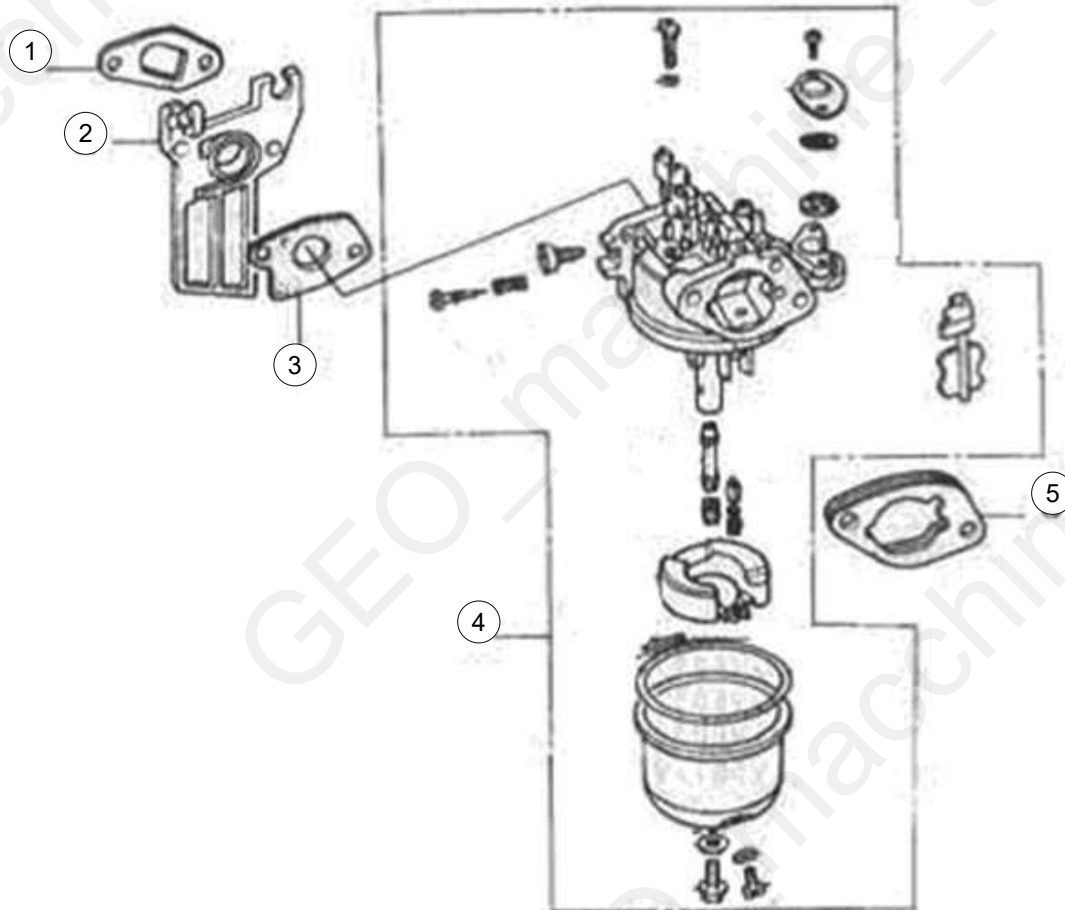
6



Pos	Code	Description	NOTE	Q.
1	JF340-F-01	LOCKNUT		2
2	JF340-F-02	ADJUSTING NUT		2
3	JF340-F-03	ROCKER ARM		2
4	JF340-F-04	ROCKER BOLT (8 mm)		2
5	JF340-F-05	PUSH ROD GUIDE PLATE		1
6	JF240-F-06	ROD PUSH		2
7	JF240-F-07	CAM FOLLOWER		2
8	JF270-F-08	CAMSHAFT		1
9	JF340-F-06	EX. VALVE HELMET		1
10	JF340-F-07	EX. VALVE SPRING RETAINER		1
11	JF340-F-08	VALVE SPRING		2
12	JF340-F-09	VALVE SPRING SEAT		2
13	JF340-F-10	IN. VALVE SPRING RETAINER		1
14	JF340-F-11	EX. VALVE		1
15	JF340-F-12	IN. VALVE		1
16	JF340-F-13	ROCKER ASSY.		1

Carburetor system assy.

9



Machine: MOTORE JF340-390-420

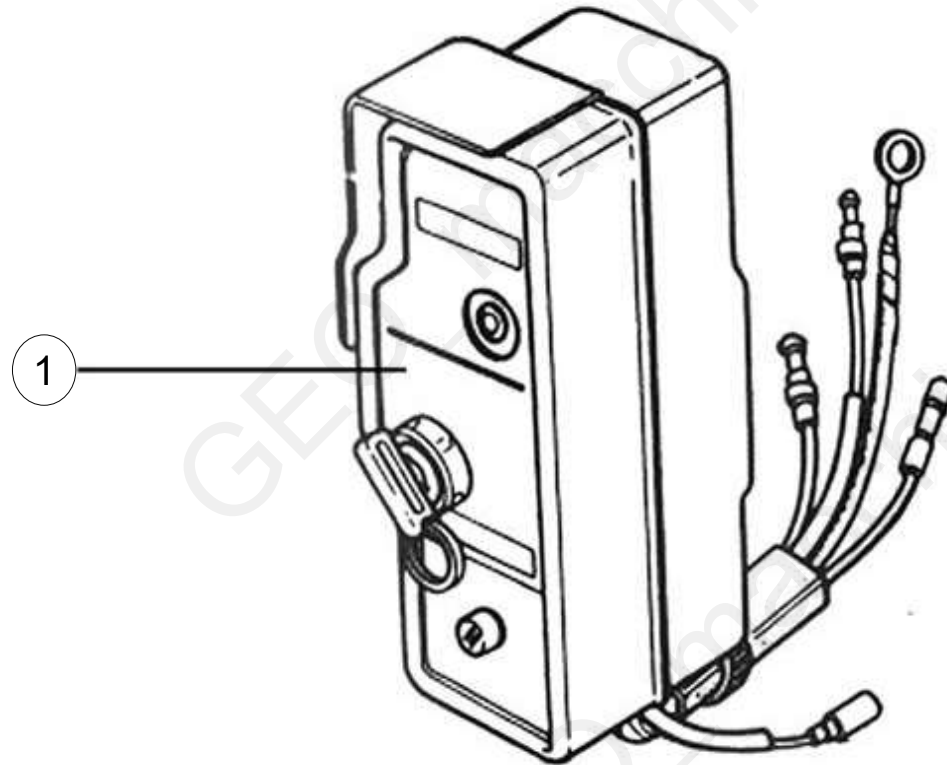
Assembly: Motore_JD_parte 3



Pos	Code	Description	NOTE	Q.
1	JF340-I-01	INTAKE PIPE GASKET		1
2	JF340-I-02	CARBURETOR INSULATING PLATE		1
3	JF340-I-03	CARBURETOR PAPER GASKET		1
4	JF340-I-04A	CARBURETOR ASSY.		1
5	JF340-I-05	CARBURETOR IRON GASKET		1

Control box assy.

17



Machine: MOTORE JF340-390-420

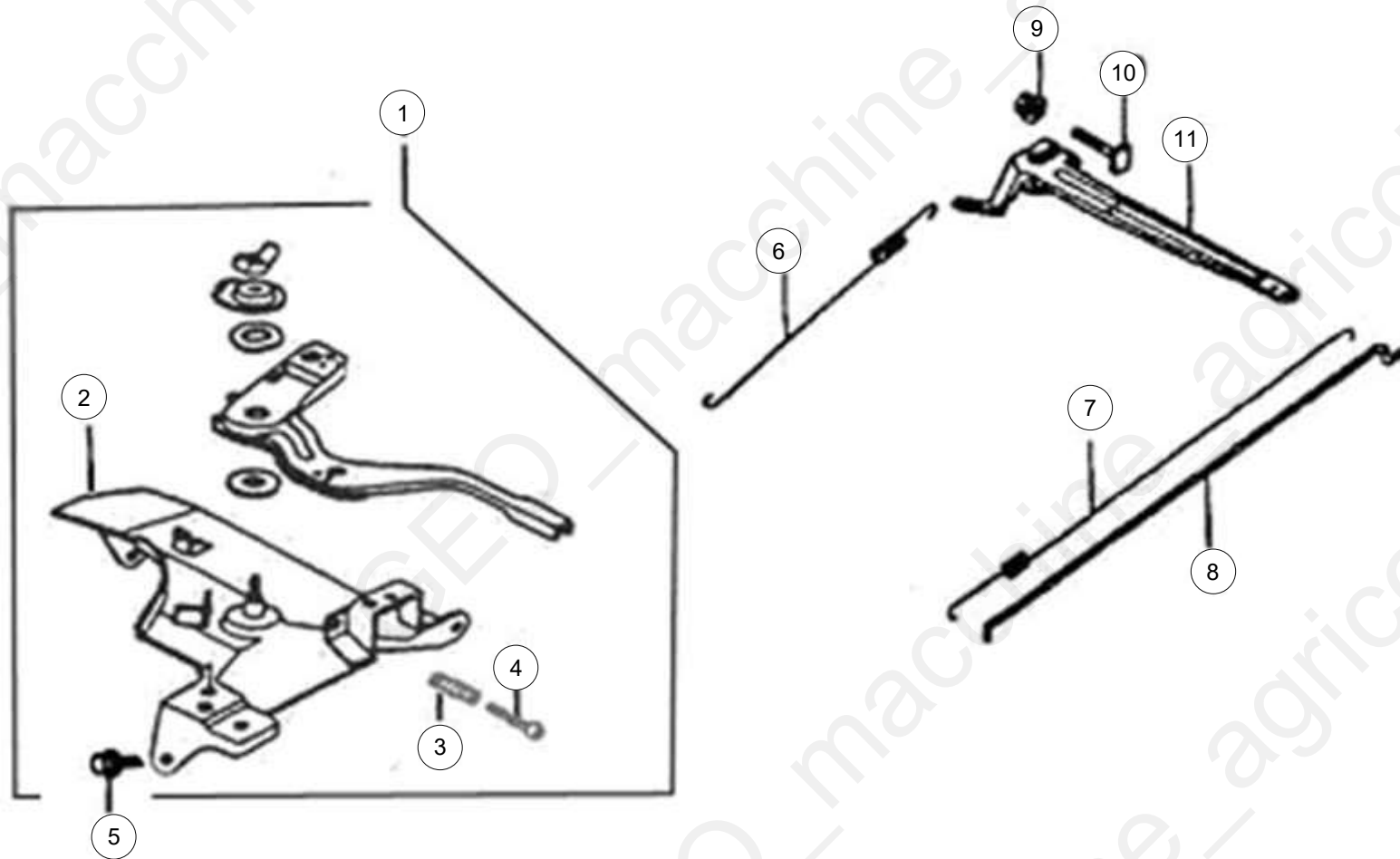
Assembly: Motore_JD_parte 4



Pos	Code	Description	NOTE	Q.
1	JF390-Q-01	CONTROL BOX ASSY.		1

Control System Assy.

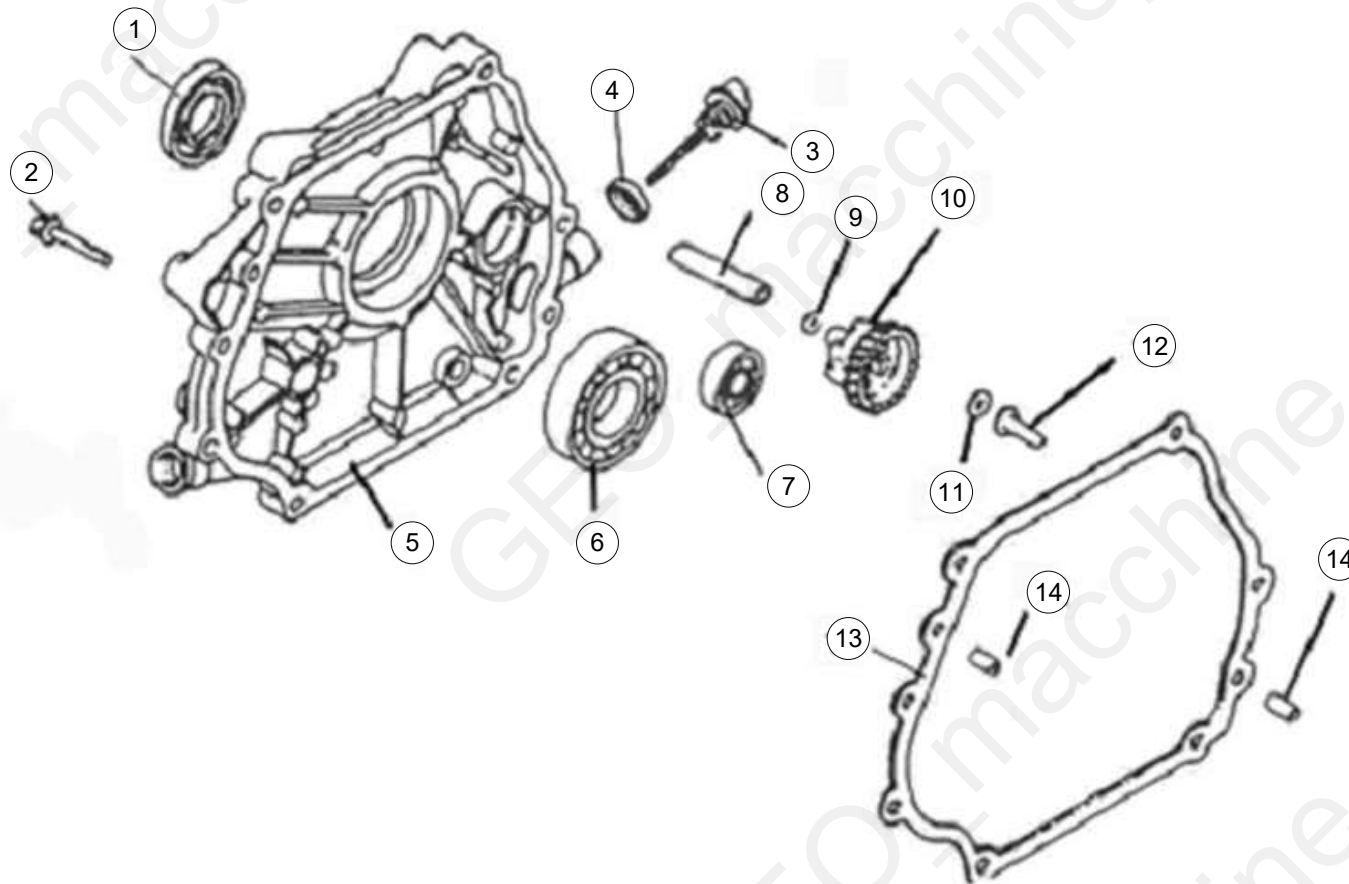
13



Pos	Code	Description	NOTE	Q.
1	JF340-M-01A	CONTROL ASSY.		1
2	JF340-M-02A	CONTROL BASE COMP.		1
3	JF340-M-03	CONTROL ADJUSTING SPRING		1
4	JF340-M-04	CROSS POND SCREW (M5×34)		1
5	JF340-M-05	FLANGE BOLT (M6×14)		1
6	JF340-M-06	GOVERNOR SPRING		1
7	JF340-M-07	THROTTLE RETURN SPRING		1
8	JF340-M-08	GOVERNOR ROD		1
9	JF340-M-09	FLANGE NUT (M6)		1
10	JF340-M-10	GOVERNOR ARM BOLT (M6)		1
11	JF340-M-11	CONTROL ARM		1

Crankcase cover system assy.

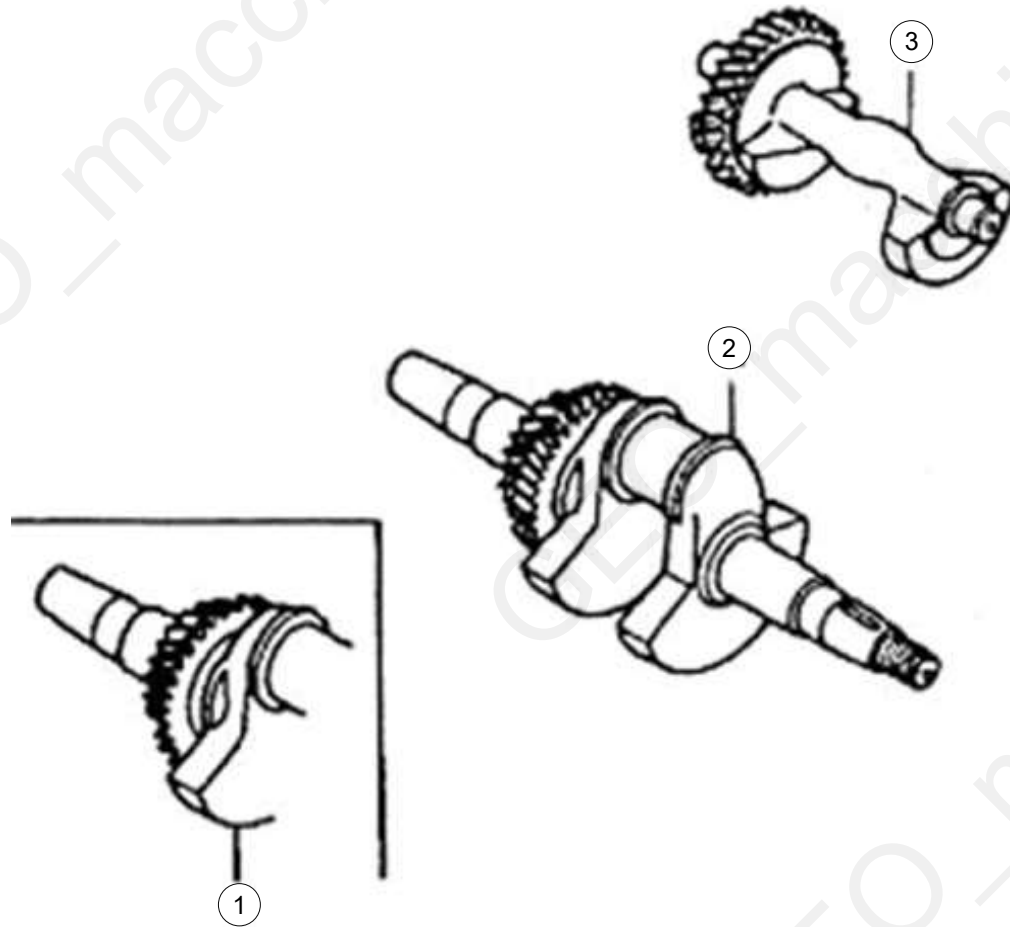
3



Pos	Code	Description	NOTE	Q.
1	JF340-B-11	OIL SEAL (diam 35× diam 52×8)		1
2	JF340-C-01	FLANGE BOLT (M8×35)		7
3	JF340-C-02A	OIL SCALE		2
4	JF340-C-03	OIL SCALE SEAL RING		2
5	JF340-C-04A	CRANKCASE COVER		1
6	JF340-B-04	BALL BEARING (6207)		1
7	JF340-B-13	BALL BEARING (6202)		1
8	JF340-C-05	SLIDER SHAFT		1
9	JF340-C-06	GOVERNOR GEAR WASHER (6 mm)		1
10	JF340-C-07	GOVERNOR GEAR		1
11	JF340-C-08	SLIDER WASHER (6 mm)		1
12	JF340-C-09	GOVERNOR SLIDER		1
13	JF340-C-10	CRANKCASE COVER PAD		1
14	JF240-C-11	DOWEL PIN (8×12)		2

Crankshaft system assy.

4



Machine: MOTORE JF340-390-420

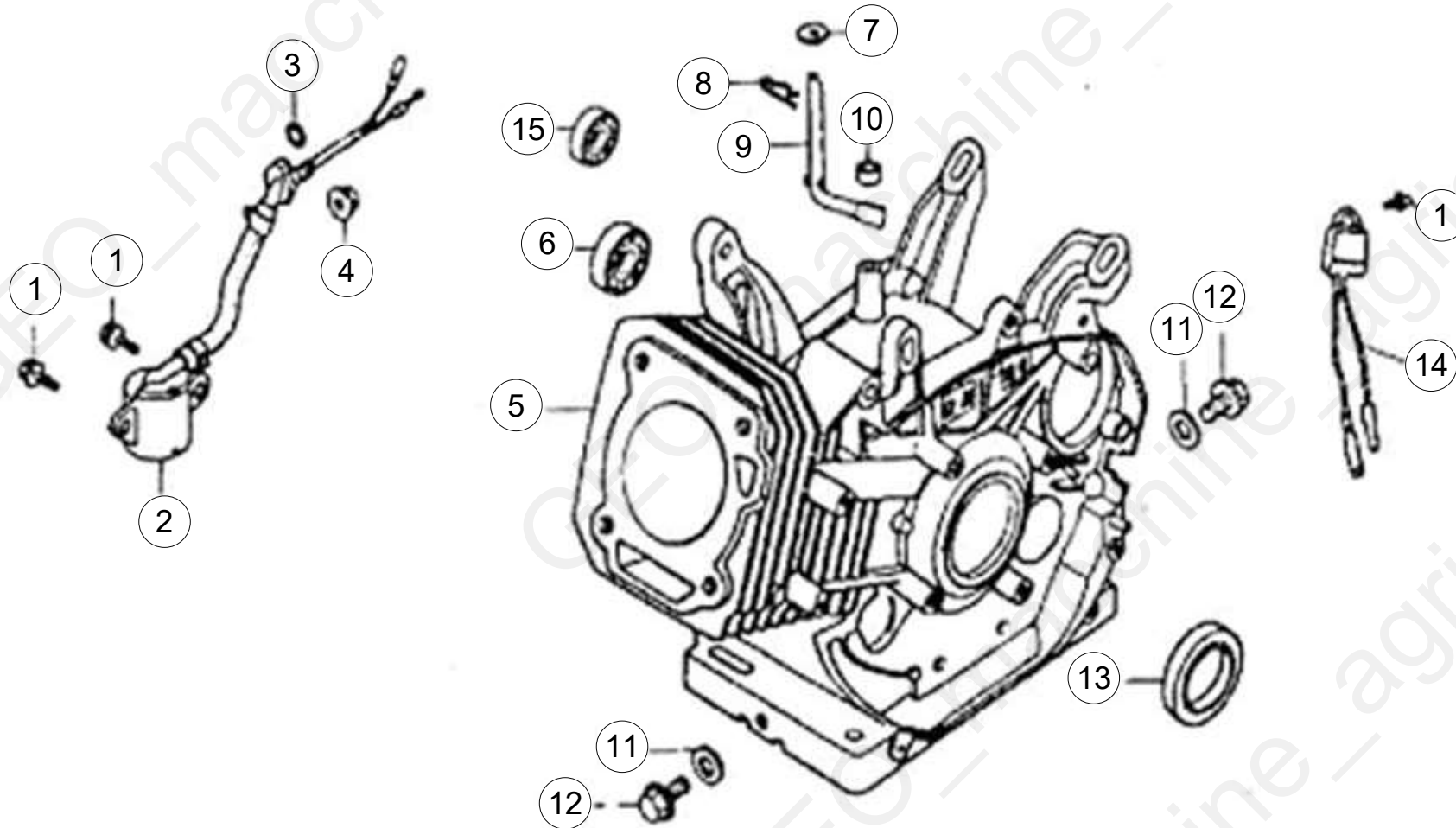
Assembly: Motore_JD_parte 7



Pos	Code	Description	NOTE	Q.
1	JF340-D-01	CRANK		1
2	JF340-D-02	CRANKSHAFT COMP.		1
3	JF340-D-03	BALANCE SHAFT		1

Cylinder barrel

2

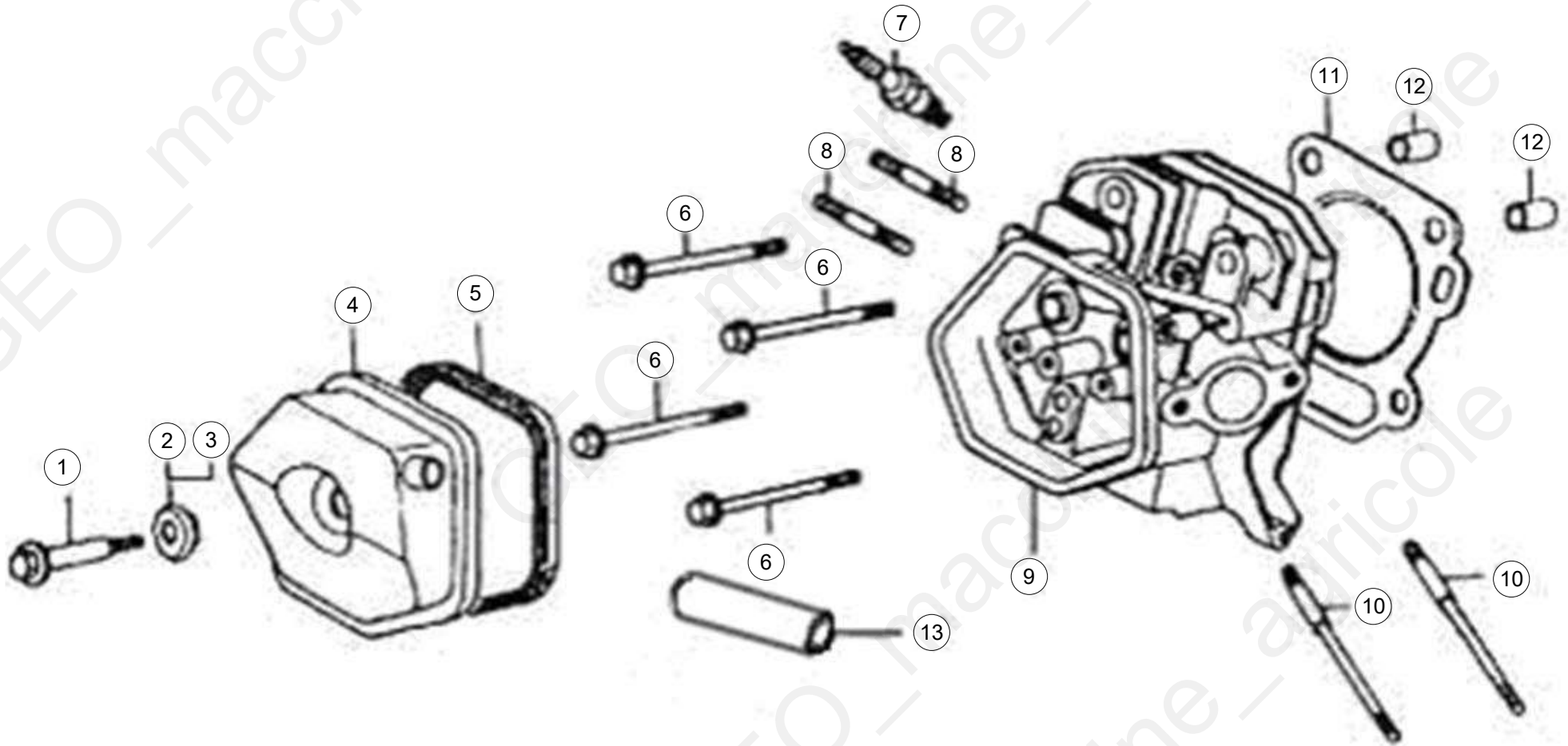


1

Pos	Code	Description	NOTE	Q.
1	JF340-B-01	FLANGE BOLT (M6×14)		3
2	JF240-B-02	OIL LEVEL SWITCH ASSY.		1
3	JF240-B-03	O-RING (14mm)		1
4	JF340-B-02	FLANGE NUT (10 mm)		1
5	JF340-B-03	CRANK CASE		1
6	JF340-B-04	BALL BEARING (6207)		1
7	JF340-B-05	WASHER (diam 8.3× diam 17×1)		1
8	JF340-B-06	LOCK PIN (10 mm)		1
9	JF340-B-07	GOVERNOR ARM SHAFT		1
10	JF340-B-08	OIL SEAL (diam 8× diam 14×5)		1
11	JF340-B-09	DRAIN PLUG WASHER (12 mm)		2
12	JF340-B-10	DRAIN PLUG BOLT		2
13	JF340-B-11	OIL SEAL (diam 35× diam 52×8)		1
14	JF340-B-12	OIL PROTECTOR		1
15	JF340-B-13	BALL BEARING (6202)		1

Cylinder head system assy.

1



Pos	Code	Description	NOTE	Q.
1	JF340-A-01	HEAD COVER COMP. BOLT		1
2	JF340-A-02	HEAD COVER WASHER COMP.		1
3	JF340-A-03	WASHER COVER PACKING		1
4	JF340-A-04	HEAD COVER COMP.		1
5	JF340-A-05	HEAD COVER PACKING		1
6	JF340-A-06	FLANGE BOLT (M10×80)		4
7	JF340-A-07	SPARK PLUG		1
8	JF340-A-08A	EXHAUST PIPE STUD BOLT		2
9	JF340-A-09	CYLINDER HEAD COMP.		1
10	JF340-A-10A	CARBURETOR STUD BOLT		2
11	JF340-A-11	CYLINDER HEAD SEALING PAD		1
12	JF340-A-12	DOWEL PIN (diam 10× diam 12×20)		2
13	JF340-A-13A	BREATHING TUBE		1