

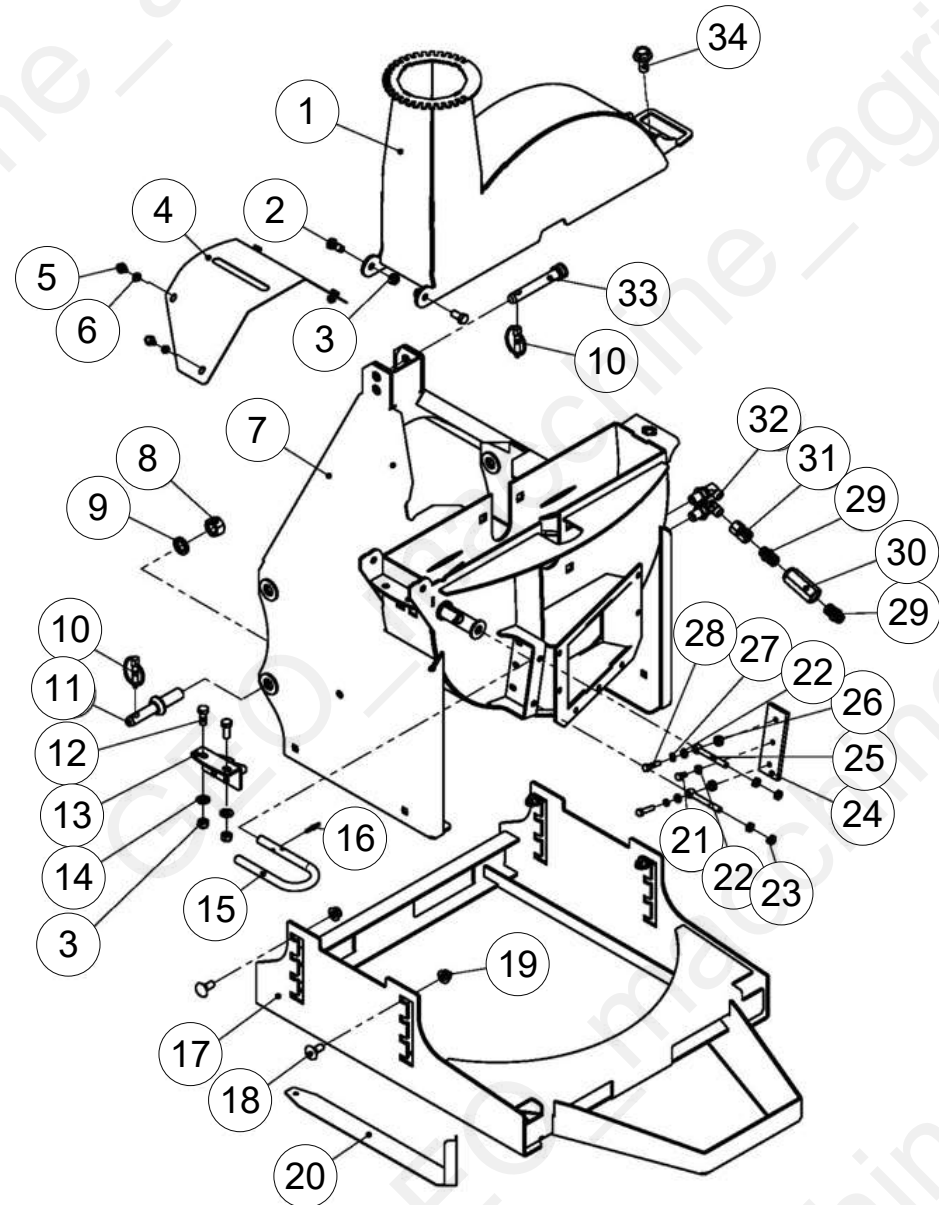
# Table of Contents

<b>Tavola</b>	<b>Page</b>
ECO23_parte 1	3
ECO23_parte 2	6
ECO23_parte 3	9
ECO23_parte 4	11
ECO23_parte 5	14
ECO23_parte 6	16
ECO23_parte 7	18
ECO23_parte 8	20
KIT_Protezione	22

## ECO 23



GEO Italy S.R.L.



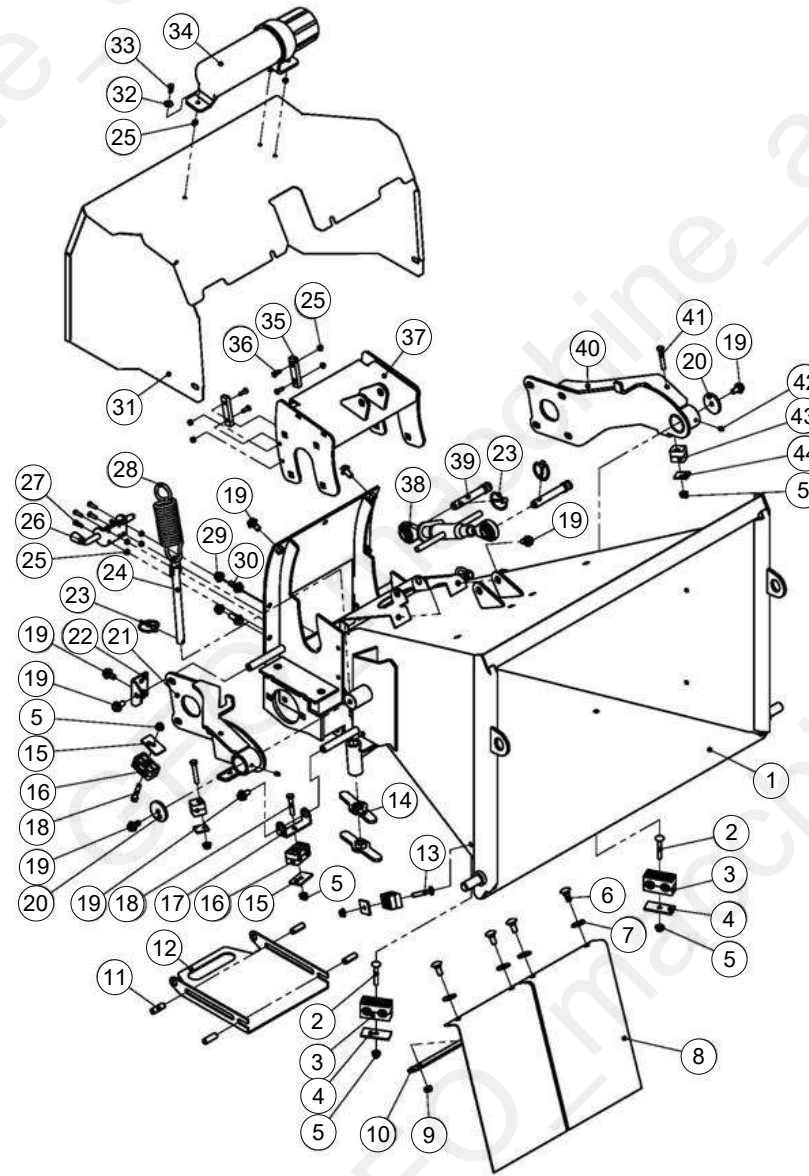
Pos	Code	Description	NOTE	Q.
1	WC52R-0014	Flywheel upper housing		1
2	GB5783-M12X25	Bolt M12X25		2
3	DIN985-M12	nut M12		4
4	WC52R-0103	cover		1
5	GB5789-M8X16	bolt		4
6	DIN985-M8	nut M8		4
7	WC52R-0012A	Flywheel lower housing		1
8	GB6170-M22	nut		2
9	GB93-22	spring washer 22		2
10	200.56.011	Lock pin		3
11	WC52R-0102	Upper rod pin shaft		2
12	GB5783-M12X30	Bolt M12X30		2
13	WC52R-0019	bracket		1
14	GB97.1-12	plain washer 12		2
15	WC52R-0105	Lock pin		1
16	GB879.1-5X35	pin 5X35		1
17	WC52R-0011	Base		1
18	GB794-B-M12X30	bolt		4
19	GB6177.1-M12	nut		4
20	WC52R-0199	Adjustable blades		1
21	GB5783-M8X16	bolt M8X16		1
22	GB97.1-8	Plain washer 8		3
23	GB6172.1-M10	Nut M10		4
24	WCX5-0102	Stationary blade		1
25	GB798-M10X80	bolt		2

Machine: ECO 23

Assembly: ECO23\_parte 1

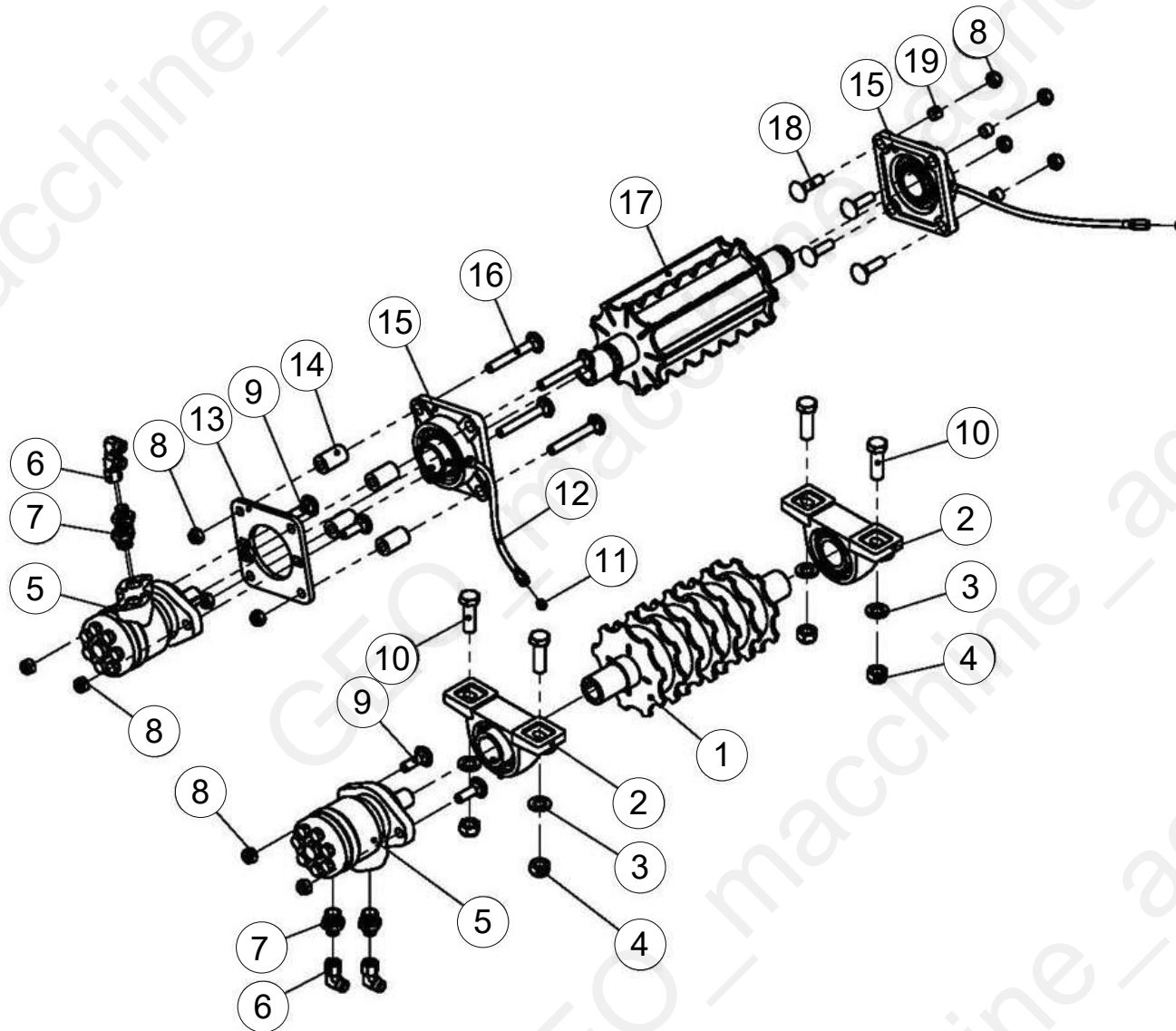


Pos	Code	Description	NOTE	Q.
26	WC52R-0108	Washer		2
27	GB93-8	Spring washer 8		2
28	GB5783-M8X35	bolt M8x35		2
29	1CT-18-08	Screw thread		2
30	CIT-04	One way valve		1
31	3C-18W	Transition joints M18X1.5		1
32	6C9-18LN	Joints		2
33	WC52R-0101	Lower rod pin shaft		1
34	GB5789-M16X35	Bolt		1

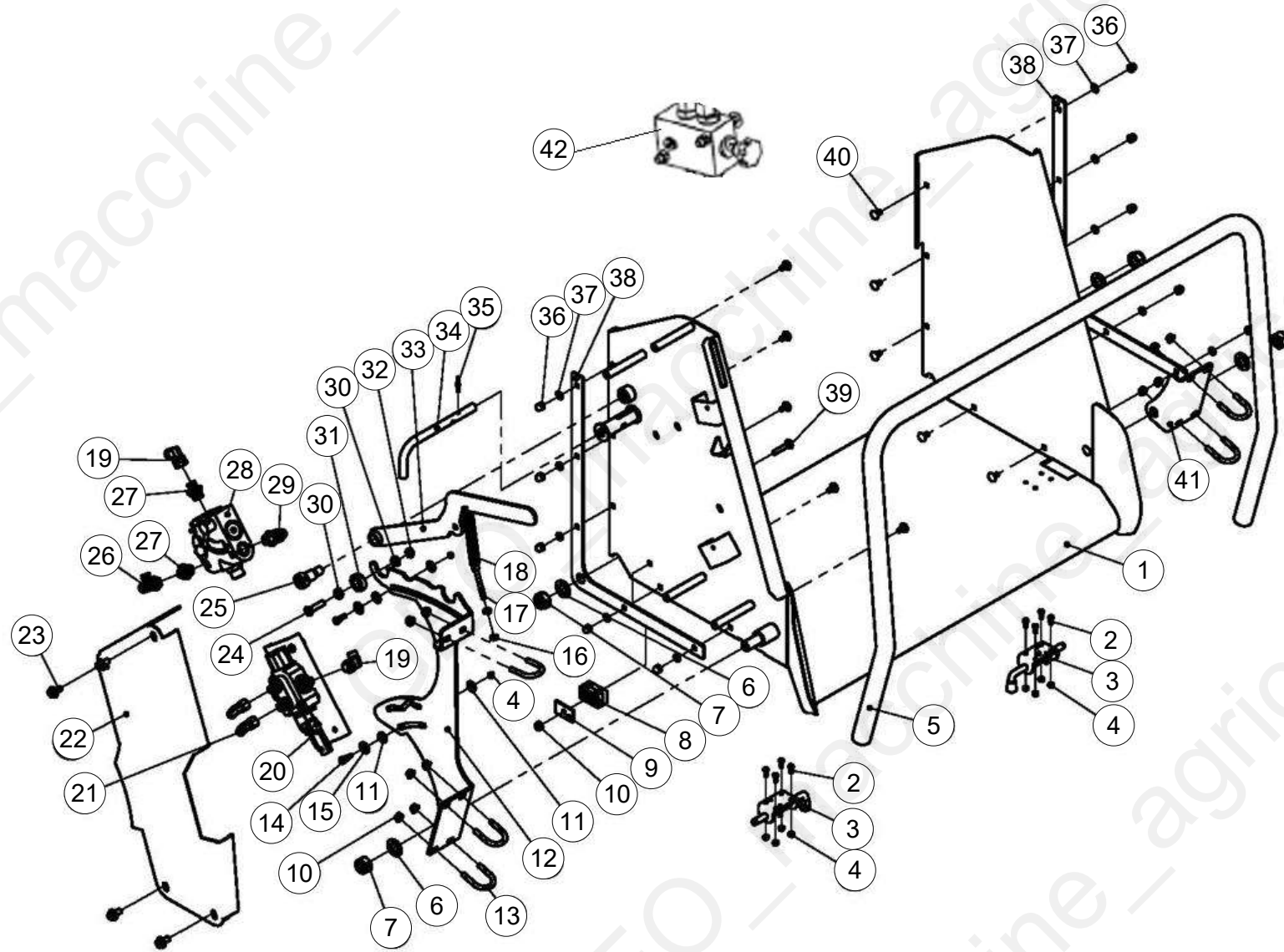


Pos	Code	Description	NOTE	Q.
1	WC52R-0017A	Feed bucket		1
2	GB794-B-M8X55	bolt		2
3	QHHTTPG-320	Pipe clamp		2
4	QH TT-G3	cover		2
5	GB6177.1-M8	Nut M8		7
6	GB12-M10X25	Bolt M10X25		4
7	GB96.1-10	Plain washer 10		4
8	WCX5-0107	Rubber plate		2
9	DIN985-M10	Locking nut M10		4
10	WC52R-0139	Pressure strip		1
11	GB879.1-12X35	pin		4
12	WC52R-0114	plate		1
13	GB794-B-M8X45	bolt M8X45		1
14	WC52R-0029	nutM16		4
15	QH TT-G2	cover		3
16	QHHTTPG-217	Pipe clamp		3
17	WC52R-0119	plate		1
18	GB5783-M8X45	bolt		2
19	GB5789-M10X20	Bolt M10X20		11
20	WC52R-0122	Retaining ring		2
21	WC52R-0026	Left arm		1
22	WC52R-0031	plate		1
23	1LTF-550-G11503	Combined pins		4
24	WC52R-0028	Adjusting rod		2
25	DIN985-M6	Locking nut M6		11

Pos	Code	Description	NOTE	Q.
26	GK-182	pin		1
27	GB70.2-M6X20	screw		4
28	WC52R-0121	Tension spring		2
29	GB6177.1-M10-10	nut		7
30	GB5789-M10X25	bolt		7
31	WC52R-0035A	Motor cover		1
32	GB96.1-6	Larger washer		3
33	GB5783-M6X16	bolt M6X16		3
34	BH-6.07.092	Manual tube		1
35	WC52R-0117	sleeve		2
36	GB70.3-M6X20	bolt		4
37	WC52R-0025A	Roller braket		1
38	WC52R-0032	Adjusting rod		1
39	WC52R-0123	Adjusting rod pin shaft		2
40	WC52R-0027	Right arm		1
41	GB5783-M8X50	bolt M8x50		2
42	GB1152-M6	Grease Nipple M6		2
43	QHTLPG-008	Pipe clamp		2
44	QHTL-G0	Cover		2

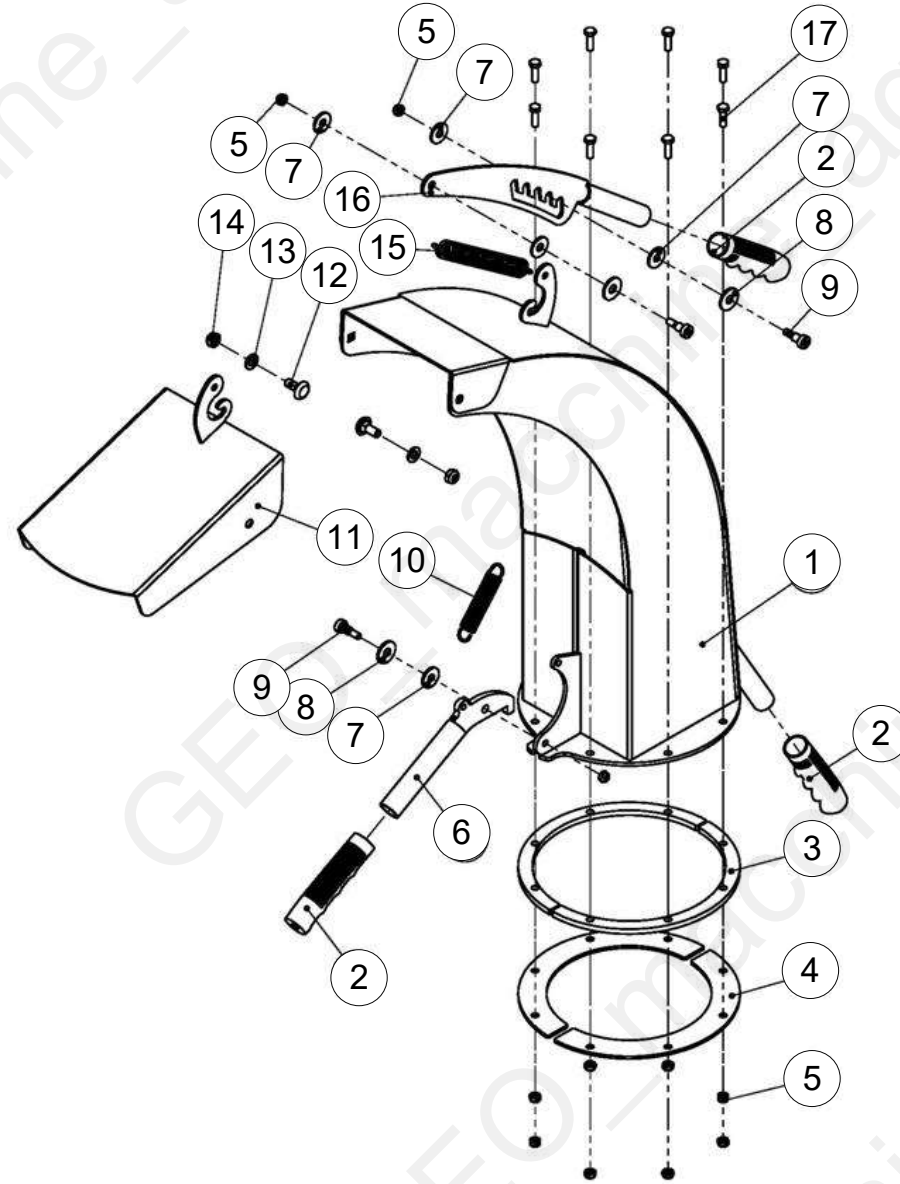


Pos	Code	Description	NOTE	Q.
1	WC52R-0023	Lower roller		1
2	UCP208	bearing		2
3	GB97.1-16	Plain washer 16		4
4	DIN985-M16	Locking Nut M16		4
5	155200A6310AAAAA	Hydraulic motor		2
6	2C9-16W	Elbow M16X1.5		4
7	1CG-16-08	oil joint		4
8	DIN985-M12	nut M12		12
9	GB794-B-M12X40	bolt		4
10	GB5783-M16X50	Bolt M16x50		4
11	GB1152-M10X1	Grease Nipple M10x1		2
12	WC52R-0089	Guide pipe		1
13	WC52R-0115	Bearing plate		1
14	WC52R-0116	bushing		4
15	UCF208(R1/8)	bearing UCF208(R1/8)		2
16	GB794-B-M12X90	bolt		4
17	WC52R-0024	Upper roller		1
18	GB794-B-M12X45	bolt		4
19	WC52R-0126	bushing		4

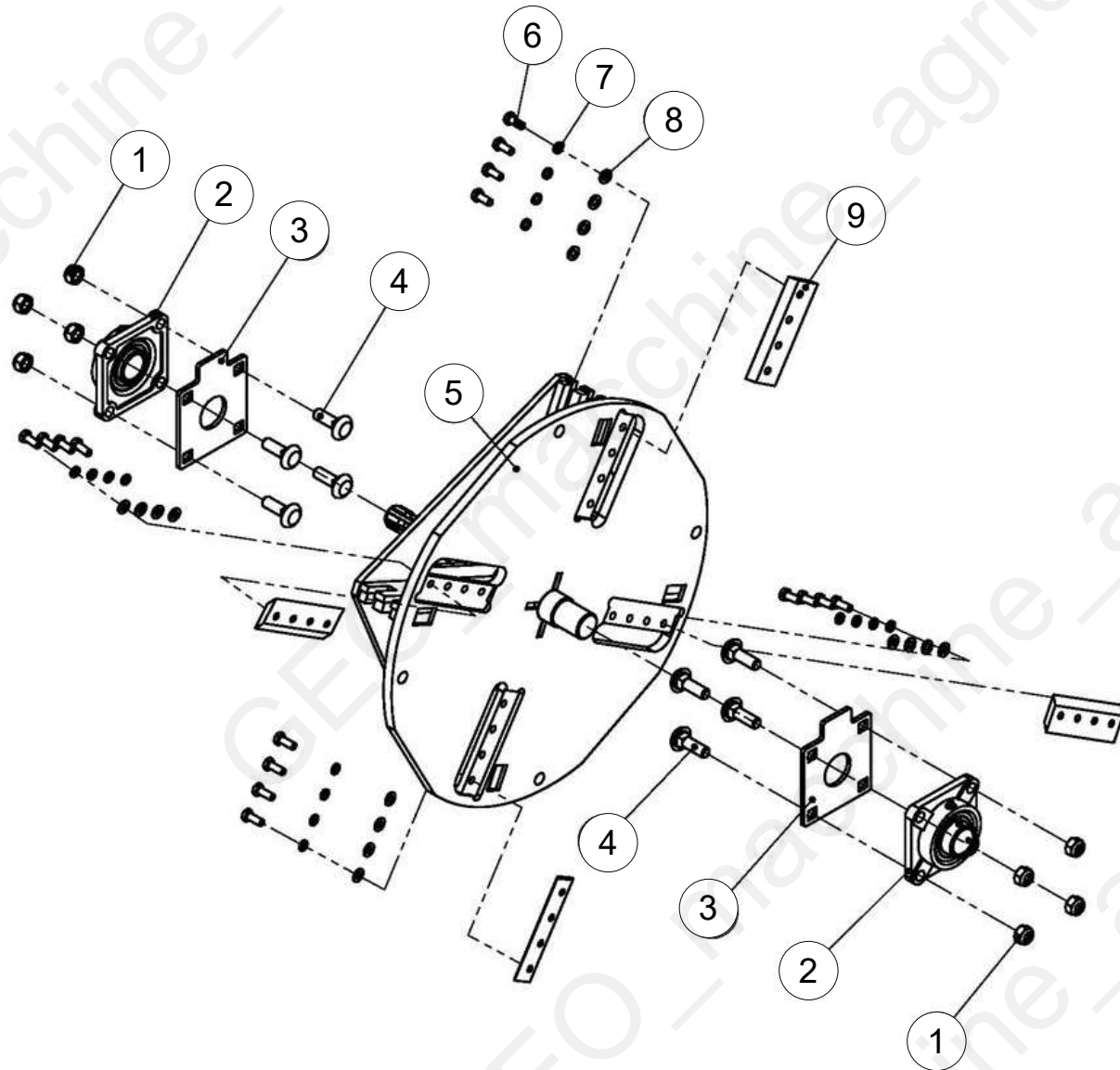


Pos	Code	Description	NOTE	Q.
1	WC52R-0018	Folding bucket		1
2	GB70.2-M6X16	screw		8
3	GK-182	pin		2
4	DIN985-M6	Locking nut M6		10
5	WC52R-0136	Control rod		1
6	GB97.1-20	Plain washer 20		4
7	DIN985-M20	nut M20		4
8	QHHTPG-217	Pipe clamp		1
9	QHHT-G2	cover		1
10	GB6177.1-M8	Nut M8		11
11	WC52R-0129	Nylon washer 8		4
12	WC52R-0135	plate		1
13	WC52R-0134	U bolt M8		5
14	ISO7379-8X12-M6	bolt8X12-M6		2
15	GB96.1-8	Plain washer8		2
16	GB6170-M8	Nut M8		2
17	GB798-M8X70	bolt		1
18	WC52R-0113	Tension spring		1
19	2C9-18W	Elbow M18X1.5		2
21	2C9-16W	Elbow M16X1.5		2
22	WC52R-0133	Valve cover		1
23	GB5789-M10X20	Bolt M10X20		4
24	GB5783-M10X40	Bolt M10X40		1
25	ISO7379-20X25-M16	Bolt20X25-M16		1
26	CC-18W	plug		1

Pos	Code	Description	NOTE	Q.
27	1CB-18-08WD	Joint M18X1.5-G3/8		3
28	LKF-60-1/2NPT	Valve		1
29	2BC-06-18WD/W	joint		1
30	WC52R-0131	sleeve		2
31	GB276-6202-2Z	Beaing-2Z		1
32	DIN985-M10	Locking nut M10		1
33	WC52R-0033	handle		1
34	WC52R-0124	pin		1
35	GB879.1-5X35	pin 5X35		1
36	GB923-M8	Nut M8		10
37	GB97.1-8	Plain washer 8		10
38	WC52R-0125	plate		2
39	GB794-B-M8X45	bolt M8X45		1
40	GB794-B-M8X16	bolt		10
41	WC52R-0137	plate		1
42	WRC-52-001	Emergency Switch Button		3



Pos	Code	Description	NOTE	Q.
1	WC52R-0015	Discharge bucket		1
2	S26.01.103	Handle cover		3
3	WC52R-0111	baffle		2
4	WC52R-0109	plate		2
5	DIN985-M6	Locking nut M6		11
6	WC52R-0021	handle		1
7	WC52R-0129	Nylon washer 8		5
8	GB96.1-8	Plain washer8		3
9	ISO7379-8X10-M6	Bolt 8X10-M6		3
10	WC52R-0112	Tension spring		1
11	WC52R-0016	Protective cover weldment		1
12	GB794-B-M8X20	bolt		2
13	GB97.1-8	Plain washer 8		2
14	DIN985-M8	nut M8		2
15	WC52R-0113	Tension spring		1
16	WC52R-0022	plate		1
17	GB5783-M6X20	bolt M6X20		8

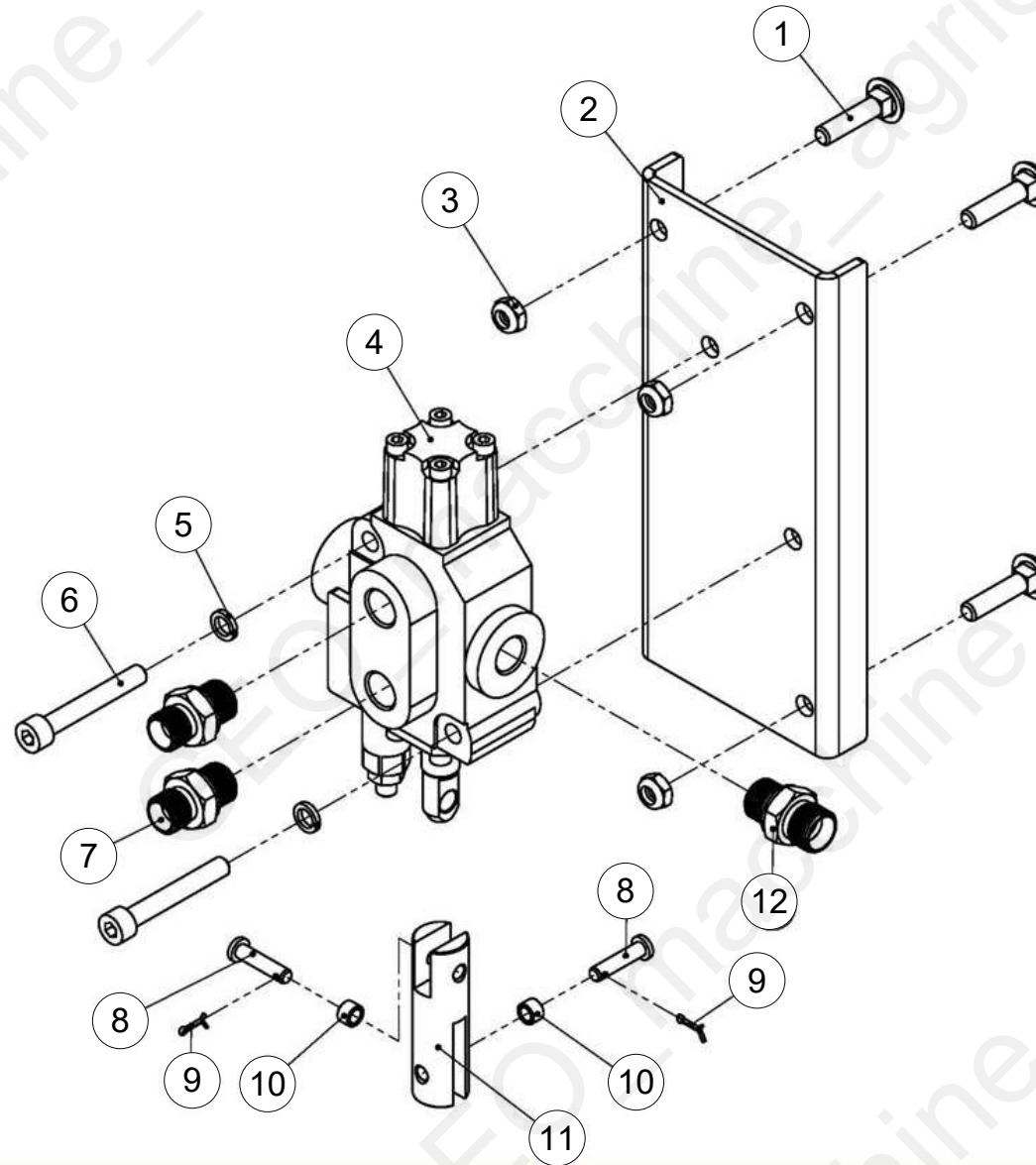


Machine: ECO 23

Assembly: ECO23\_parte 6



Pos	Code	Description	NOTE	Q.
1	DIN985-M16	Locking Nut M16		8
2	UCF208(R1/8)	bearing UCF208(R1/8)		2
3	WC52R-0104	plate		2
4	GB794-B-M16X50	bolt		8
5	WC52R-0013A	Flywheel weldment		1
6	GB5783-M10X25	Bolt M10X25		16
7	GB93-10	spring washer 10		16
8	GB97.1-10	PLAIN WASHER 10		16
9	WCX5-0101	Moving knives		4

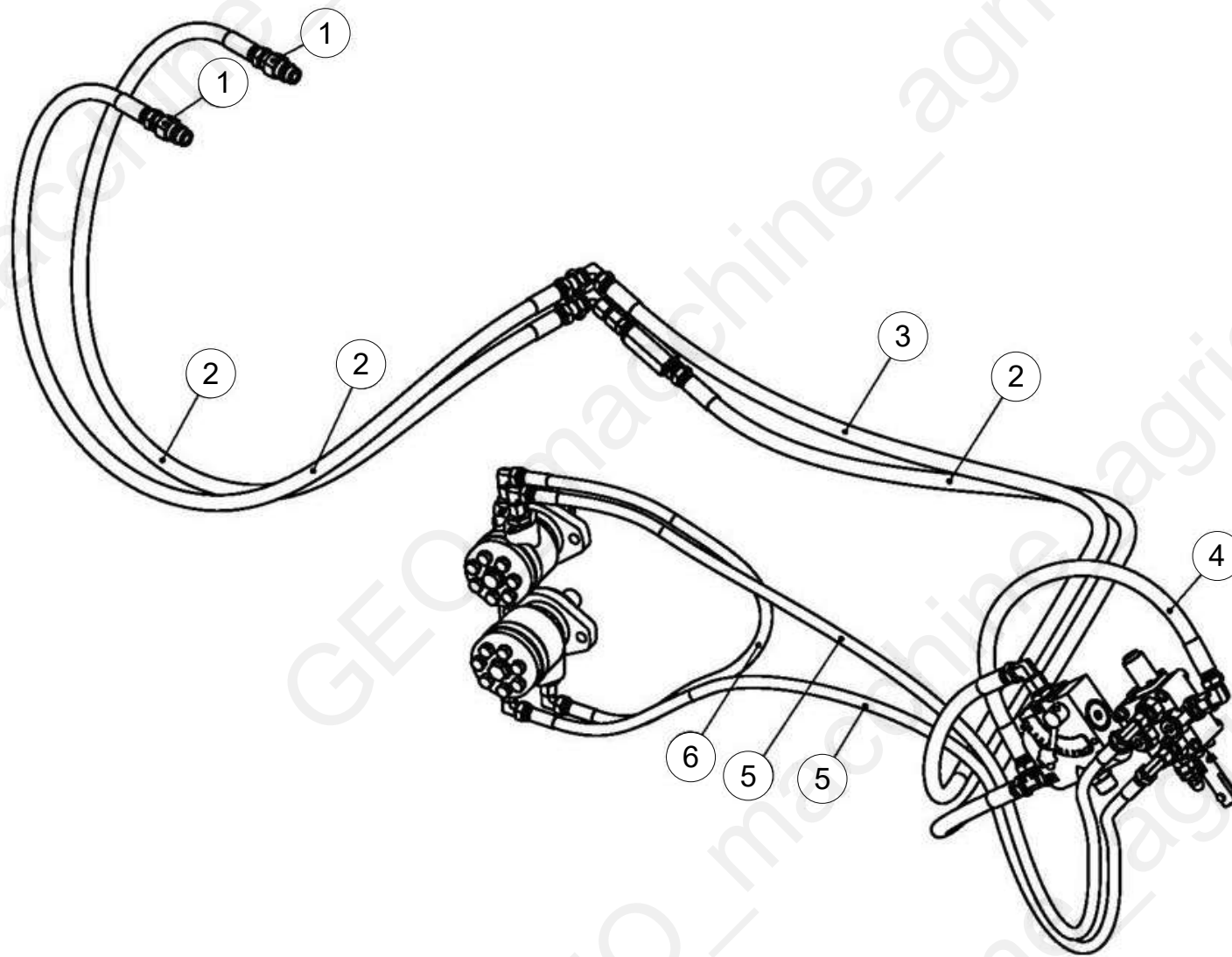


Machine: ECO 23

Assembly: ECO23\_parte 7



Pos	Code	Description	NOTE	Q.
1	GB794-B-M8X35	bolt		3
2	WC52R-0034A	Valve seat		1
3	DIN985-M8	nut M8		3
4	MB-21S-3010001G3M1	Single valve		1
5	GB93-8	Spring washer 8		2
6	GB70.1-M8X55	screw		2
7	1CB-16-06WD	Joint M16X1.5-G3/8		2
8	GB882-B-6X26	Pin shaft		2
9	GB91-2X10	Cotter pin		2
10	WC52R-1002	roller		2
11	WC52R-1003	Pull rod		1
12	1CB-18-06WD	Joint M18X1.5-G3/8		1



Machine: ECO 23

Assembly: ECO23\_parte 8



Pos	Code	Description	NOTE	Q.
1	QUICK-COUPLING-G1/2-	Quick jointG1/2		2
2	WC52R-0083A	Return oil pipe		3
3	WC52R-0082A	Oil supply pipe		1
4	WC52R-0084	Valve oil return pipe		1
5	WC52R-0085A	Pipe from valve to motor		2
6	WC52R-0086	Inner motor oil pipe		1

## KIT\_Protezione



1



Machine: KIT\_Protezione

Assembly: KIT\_PROT



Pos	Code	Description	NOTE	Q.
1	ECO.00.01	KIT Protezione Cuffie		1