

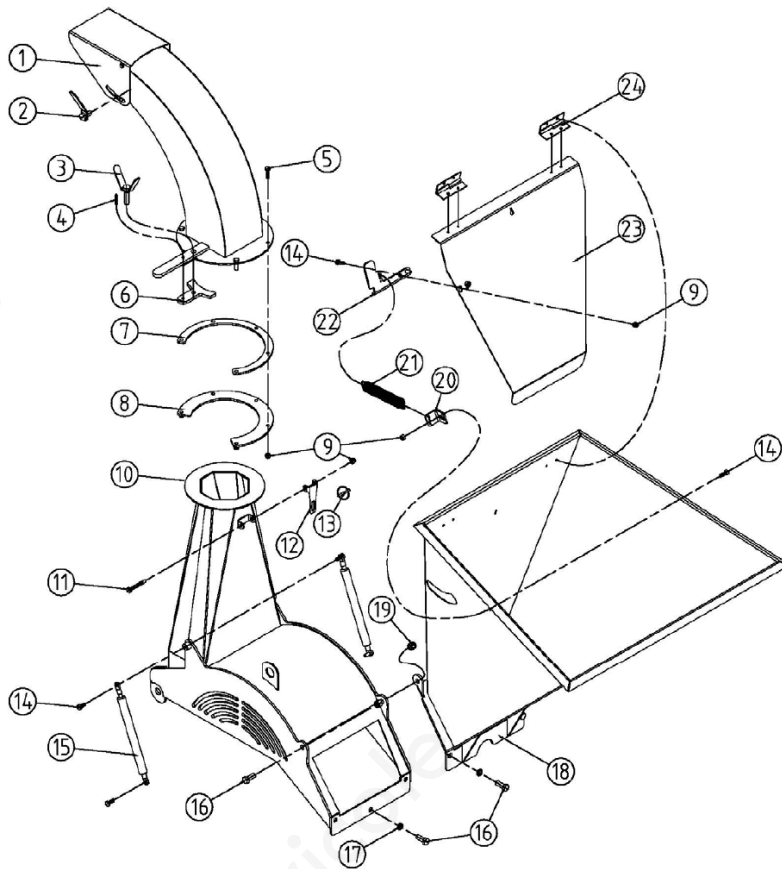
Macchina

ECO2o



Sezione

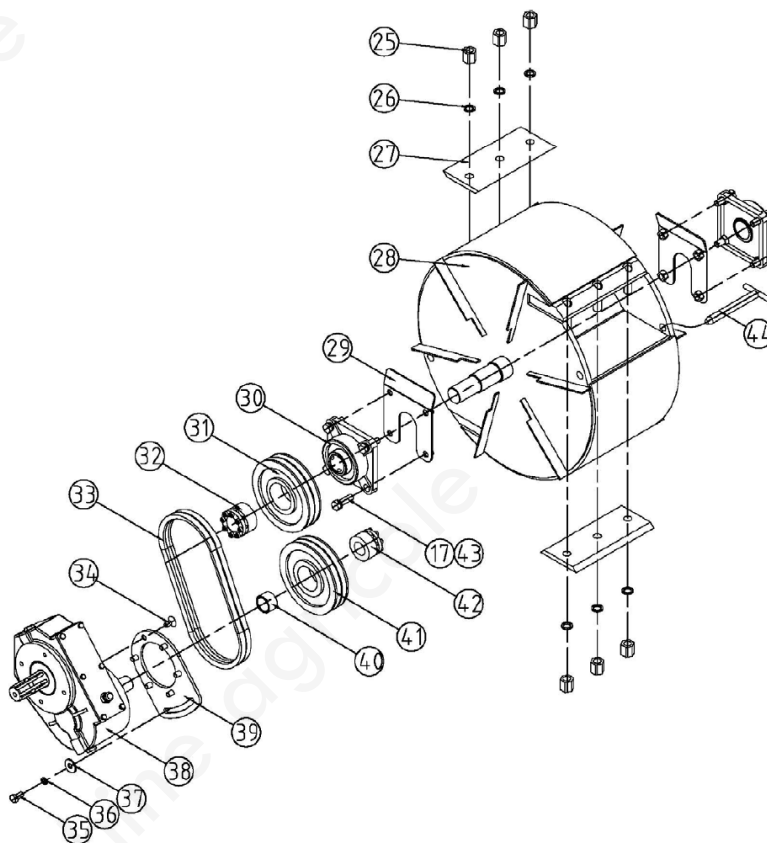
ECO2o_part1



SerNo	PartNo	Description	Quantity
1	DW30.012	Discharge Chute	1
2	DW30.011	SCREW CLAMP	1
3	DW30.013	WING BOLT	1
4	GB/T879-2000	SPRING PIN 5*30	1
5	GB/T5783-2000	Bolt M8*30	5
6	DW30.103	CLAMPING PLATE	1
7	DW30.101	DISTANCE PLATE	1
8	DW30.102	FERRULE	1
9	GB/T889.1-2000	Locking Nut M8	11

10	DW30.014	Housing, Upper Rotor	1
11	GB/T5782-2000	Bolt M8*60	1
12	DW30.104	Link Bar	1
13	Z12110	Latch Pin	1
14	GB/T5783-2000	Bolt M8*20	3
15	DW30.003	GAS STRUT 200	2
16	GB/T5783-2000	Bolt M12*30	5
17	GB/T93-1987	Spring washer 12	11
18	DW30.015	Weldment, Main Hopper	1
19	GB/T889.1-2000	Locking Nut M12	2
20	DW30.106	SPRING BRACKET	1
21	Z31403	Spring	1
22	DW30.107	SCREEN HANDLE	1
23	DW30.105	PROTECTION SCREEN	1
24	QB/T 3874-1999	HINGE UES	2

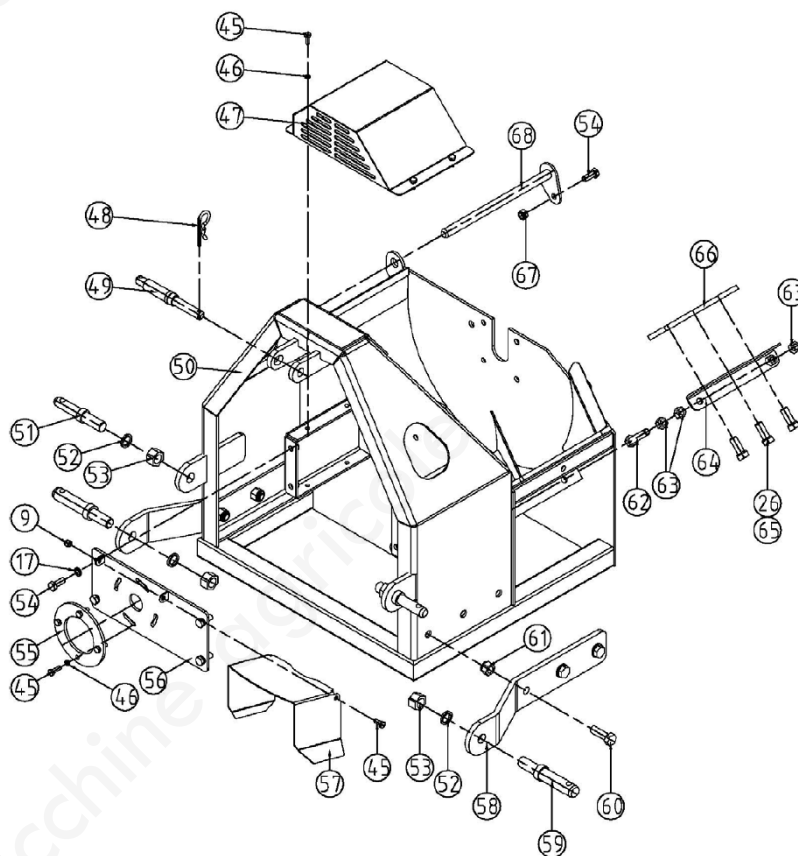
ECO2o_part2



SerNo	PartNo	Description	Quantity
25	GB/T56-88	COLLAR NUT M16	6
26	GB/T93-1987	Spring washer 16	9
27	DW30.114	KNIFE	2
28	DW30.017	CUTTING DRUM	1

29	DW30.018	NUT PLATE	2
30	GB/T7810-1995	Bearing UCFU208	2
31	CP5.20.104	Belt ptlley, in	1
32	JB/T7934Z3	Swellable sleeve 35X60	1
33	GB/T11544-97	Strap XPA813	2
34	GB/T70.3-2000	Hex.head bolt M10*20	6
35	GB/T5783-2000	Bolt M10*25	1
36	GB/T93-1987	Spring washer 10	1
37	GB/T96.2-2002	Plain washer 10	1
38	CP5.20.003	Gearbox assembly	1
39	DW30.111	Tension plate	1
40	DW30.113	Sleeve	1
41	CP5.20.105	Belt ptlley, out	1
42	JB/T7934Z3	Swellable sleeve 30X55	1
43	GB/T5783-2000	Bolt M12*40	8
44	DW30.019	PIN ASSY	1

ECO2o_part3



SerNo	PartNo	Description	Quantity
-------	--------	-------------	----------

45	GB/T5783-2000	Bolt M8*25	10
46	GB/T93-1987	Spring washer 8	8
47	DW30.021	Belt cover	1

48	R-PIN 6	R-PIN 6	1
49	DW30.112	TOP LINK IMPLEMENT PIN	1
50	DW30.016	DRUM BASE HOUSING	1
51	FM150.114	LOW LINK BOLT-ON PIN	2
52	GB/T93-1987	Spring washer 22	4
53	GB/T6171-86	Nut M22x1.5	4
54	GB/T5783-2000	Bolt M12*30	5
55	CP5.20.103	Flange plate	1
56	DW30.022	Gearbox seat	1
57	DW30.108	PTO Guard shade	1
58	DW30.109	LINKAGE	2
59	DW30.110	LOWER LINK BOLT-ON PIN	2
60	GB/T5783-2000	Bolt M16*50	6
61	GB/T889.1-2000	Locking Nut M16	6
62	GB/T5783-2000	Bolt M14*65	2
63	GB/T6170-2000	Nut M14	6
64	DW30.116	ADJUSTABLE BRACKET	1
65	GB/T5783-2000	Bolt M16*40	3
66	DW30.115	ANVIL - CounterKnife	1
67	GB/T889.1-2000	Locking Nut M12	1
68	DW30.020	FEEDING UNIT AXLE	1