

Macchina

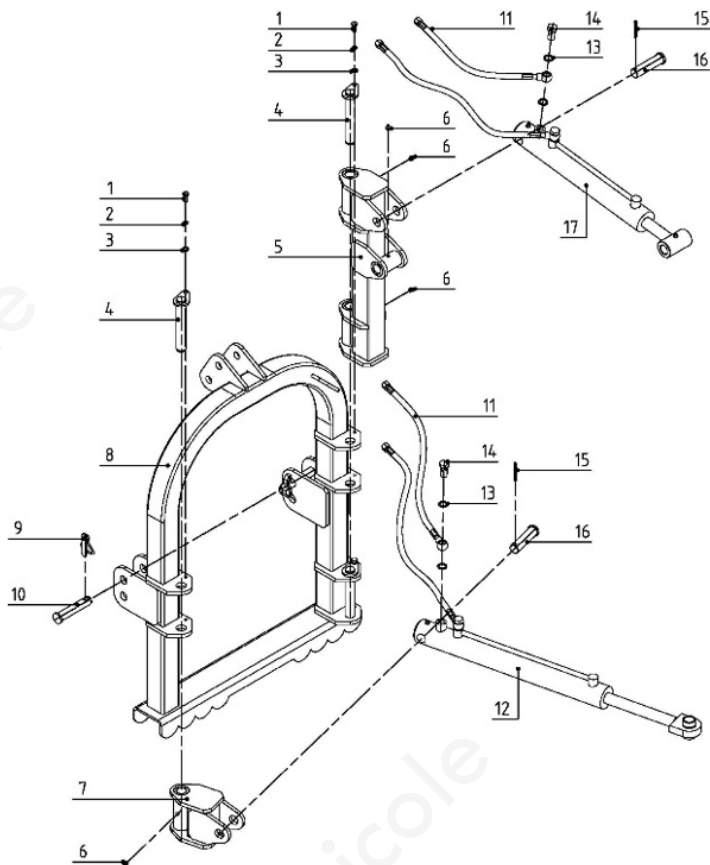
PRO



Sezione

1

PRO\_part1



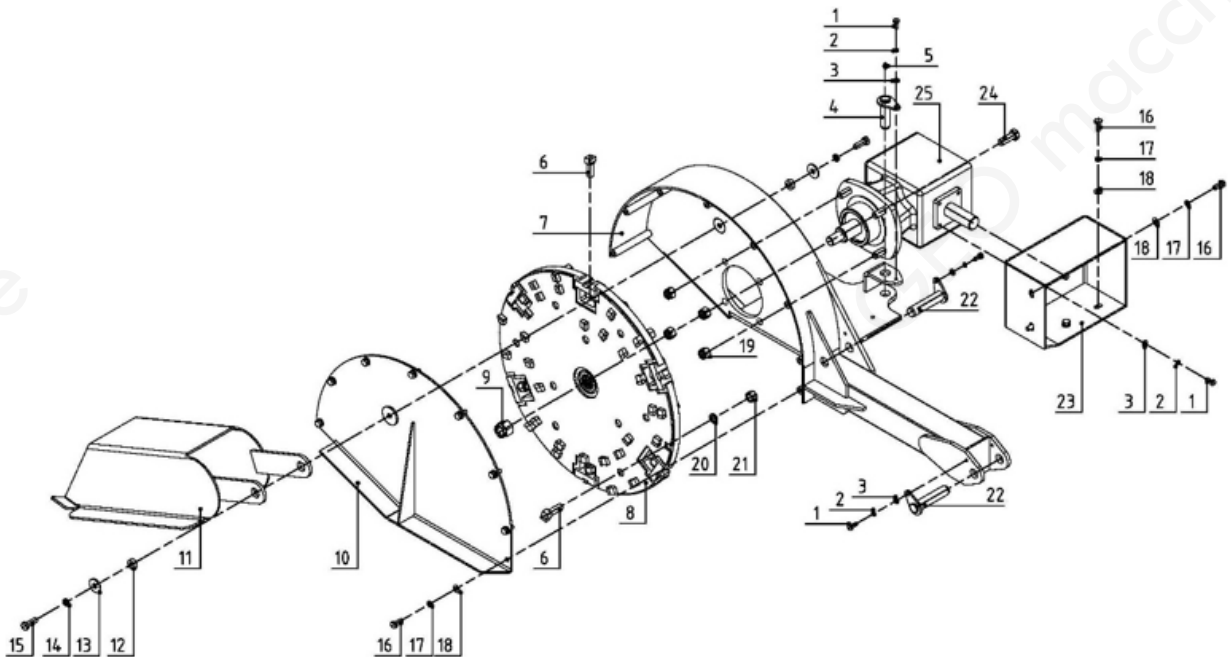
SerNo	PartNo	Description	Quantity	Price
1	GB/T5783-2000	BOLT M8X20	3	
2	GB/T93-1987	SPRING WASHER 8	3	
3	GB/T97. 1-2002	WASHER 8	3	
4	SG24.01.011	AXLE PIN 155	3	
5	SG24.01.012	BIG SWAY SEAT WELDMENT	1	
6	JB/T7940.1-1995	GREASE CUT M8	4	
7	SG24.01.013	SMALL SWAY SEAT WELDMENT	1	
8	SG24.01.014	HANGING WELDMENT	1	
9		LOCK PIN 12	2	

10	SG24.01.101	LOWER HANGING PIN	2
11	SG24.01.015	OIL HOSE	4
12	SG24.01.016	SWAY CYLINDER FOR RIGHT AND L	1
13	JB/T 982-1977	BONDED WASHER 16	8
14	BH5.60.110	HOLLOW BOLT 16	4
15	GB/T91-2000	SPLITPIN 5X40	2
16	SG24.01.102	AXLE PIN 97	2
17	SG24.01.017	SWAY CYLINDER FOR UP AND DOW	1

Sezione

2

PRO\_part2



SerNo	PartNo	Description	Quantity	Price
1	GB/T5783-2000	BOLT M8X20	7	
2	GB/T93-1987	SPRING WASHER 8	7	
3	GB/T97. 1-2002	WASHER 8	7	
4	SG24.02.011	AXLE PIN 85	1	
5	JB/T7940.1-1995	GREASE CUP M8	1	
6	SG24.02.012	BLADE	36	
7	SG24.02.013	SWAY ARM WELDMENT	1	
8	SG24.02.014	BLADE ROTOR WELDMENT	1	
9	GB/T6178-1986	SLOTTED NUT M24	1	

10	SG24.02.015	COVER WELDMENT	1
11	SG24.02.016	PROTECTION COVER WELDMENT	1
12	SG24.02.101	SPACER	2
13	GB/T96.2-2002	WASHER 12	2
14	GB/T93-1987	SPRING WASHER 12	2
15	GB/T5783-2000	BOLT M12X35	2
16	GB/T5783-2000	BOLT M10X25	12
17	GB/T93-1987	SPRING WASHER 10	12
18	GB/T97. 1-2002	WASHER 10	12
19	GB/T889. 1-2000	LOCK NUT M16	4
20	GB/T93-1987	SPRING WASHER 16	36
21	GB/T6171-2000	HEX NUT FIN THREAD M16	36
22	SG24.02.018	AXLE PIN 115	2
23	SG24.02.017	GEARBOX PROTECTION COVER	1
24	GB/T5783-2000	BOLT M16X50	4
25	XH50.169Z.01L	GEARBOX ASSEMBLY	1