

ECO 21



GEO Italy S.R.L.

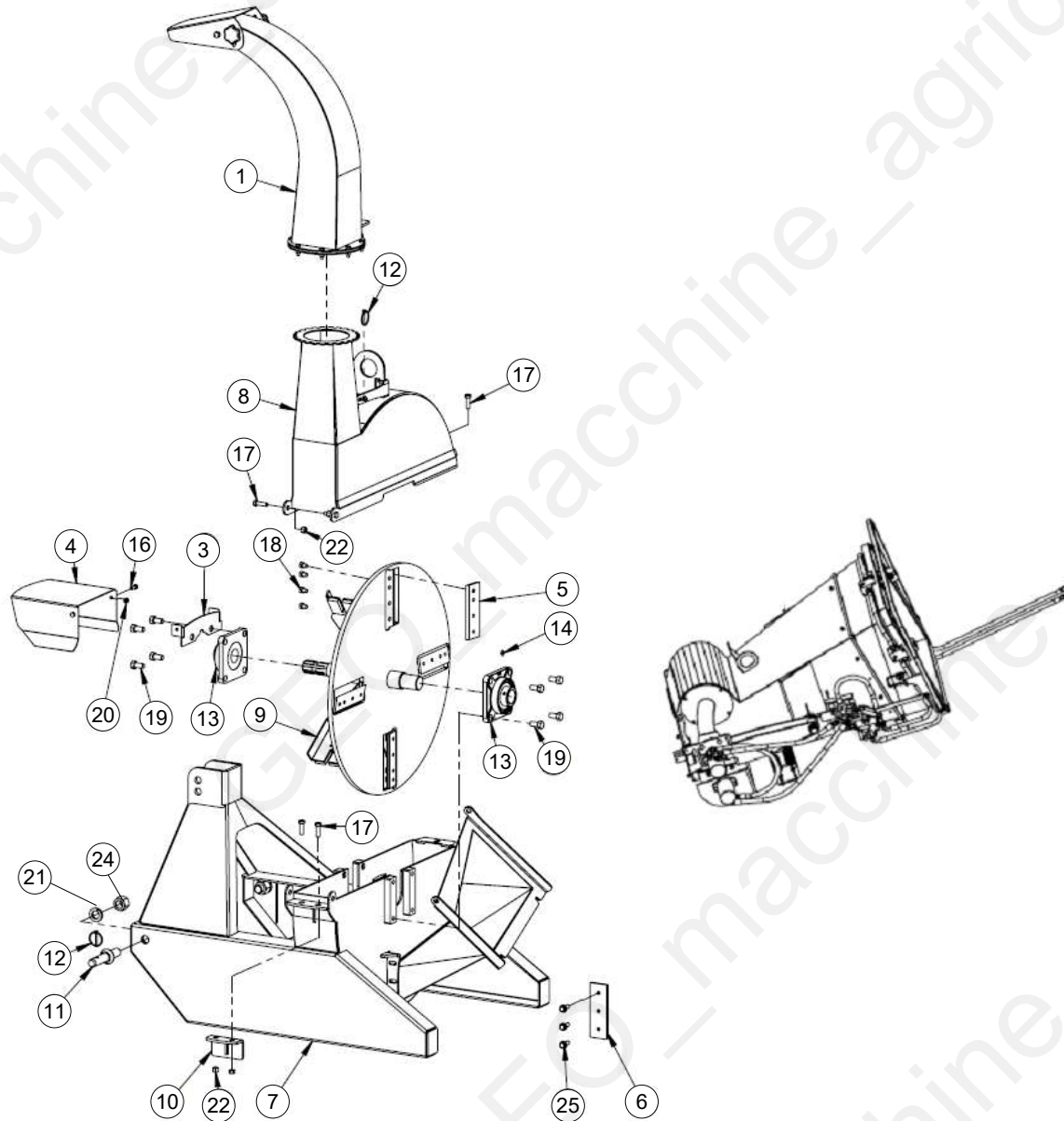
Table of Contents

Tavola	Page
ECO 21-Z	3
ECO 21 2014 2017	17
ECO 21 2009 2013	26
KIT_Protezione	36

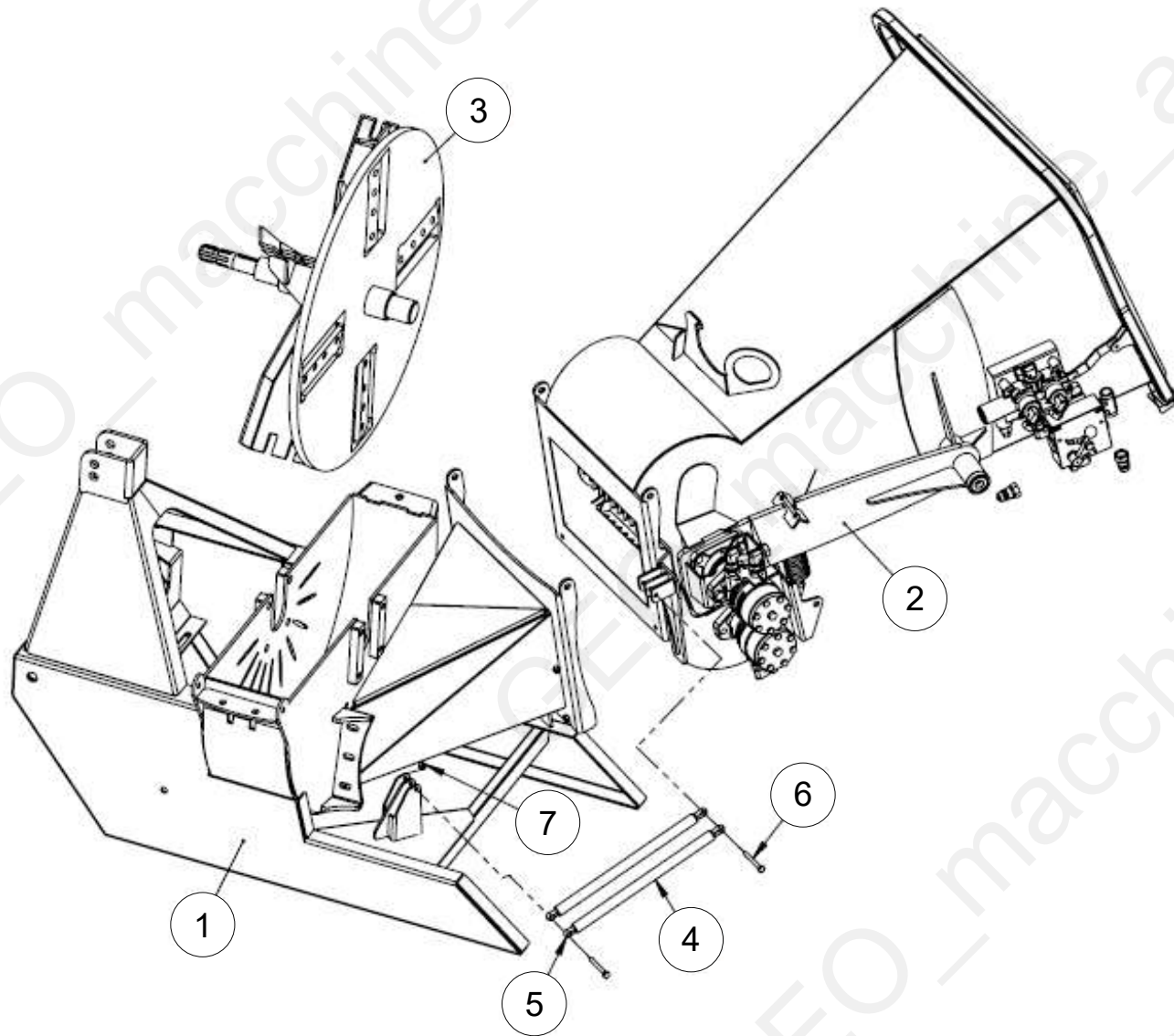
ECO 21-Z



GEO Italy S.R.L.



Pos	Code	Description	NOTE	Q.
3	1012L206	Bracket- PTO Cover Mount		1
4	1012L212	PTO Cover		1
5	1012M203	Knife- Rotor		4
6	1012M204	Knife- Ledger		1
7	1012W201	Housing- Bottom Rotor		1
8	1012W202	Housing- Upper Rotor		1
9	1081W102	Rotor		1
10	1012W204	Twig Breaker		1
11	Z11431	Implement Pin		2
12	Z12110	Latch Pin		1
13	Z25203-F210	4-Bolt Bearing F210		2
14	GB/T1152-89/M6	Grease Zerk M6		2
16	GB5783-86/M10x20	Bolt M10x20		2
17	GB5783-86/M12x35	Bolt M12x35		7
18	GB/T5786/M12x1.5x25	Bolt M12x1.5 x 25		5
19	GB/T5786/M16x1.5x45	Bolt M16x1.5x45		8
20	GB/T889.1/M10	Lock Nut M10		2
21	GB/T93/22	Lock Washer 22		2
22	GB/T889.1/M12	Lock Nut M12		5
24	GB/T6171/22x1.5	Nut M22x1.5		2
25	GB/T5786/M12x1.5x25	Bolt M12x1.5 x 25		3

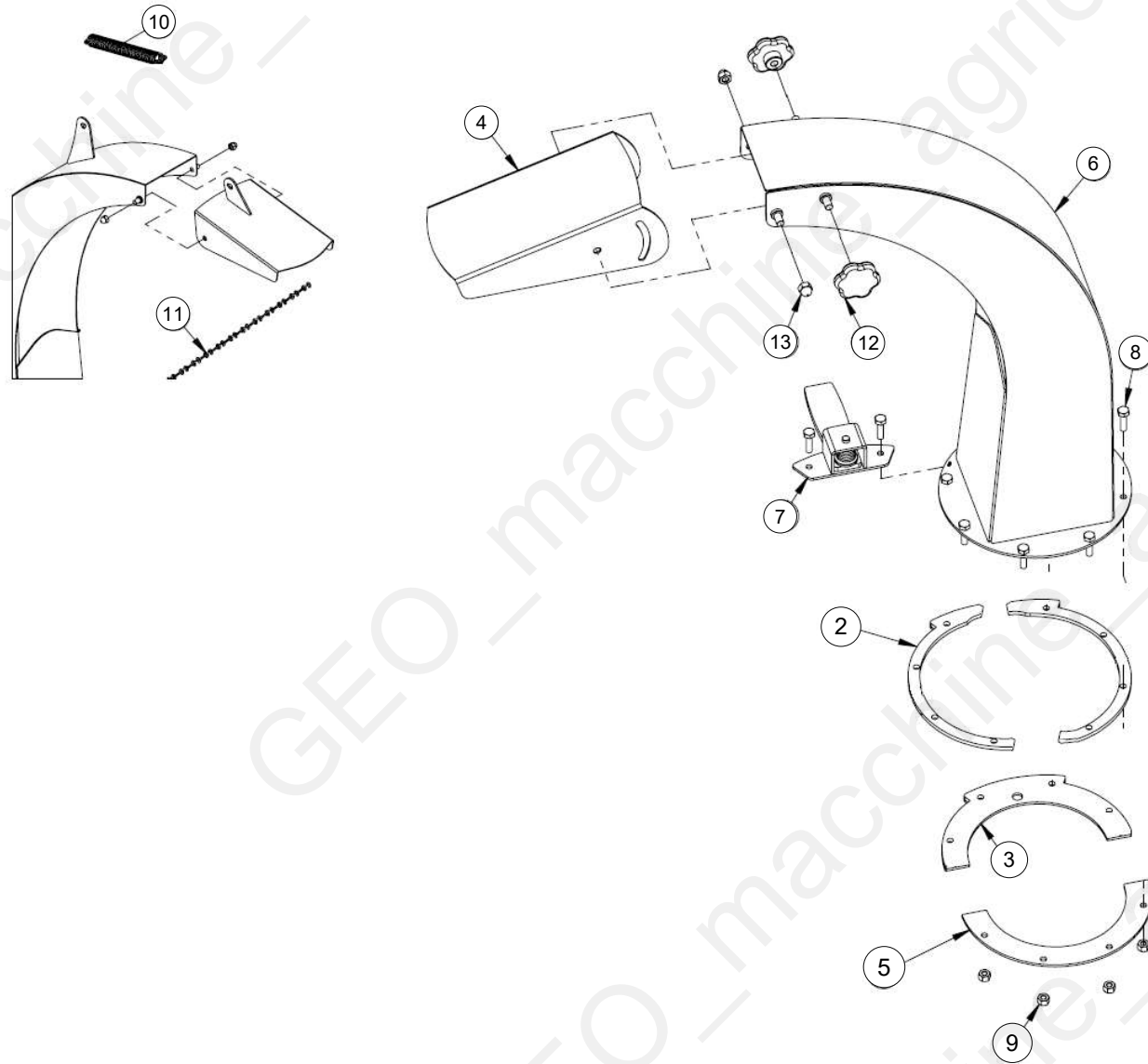


Machine: ECO 21-Z

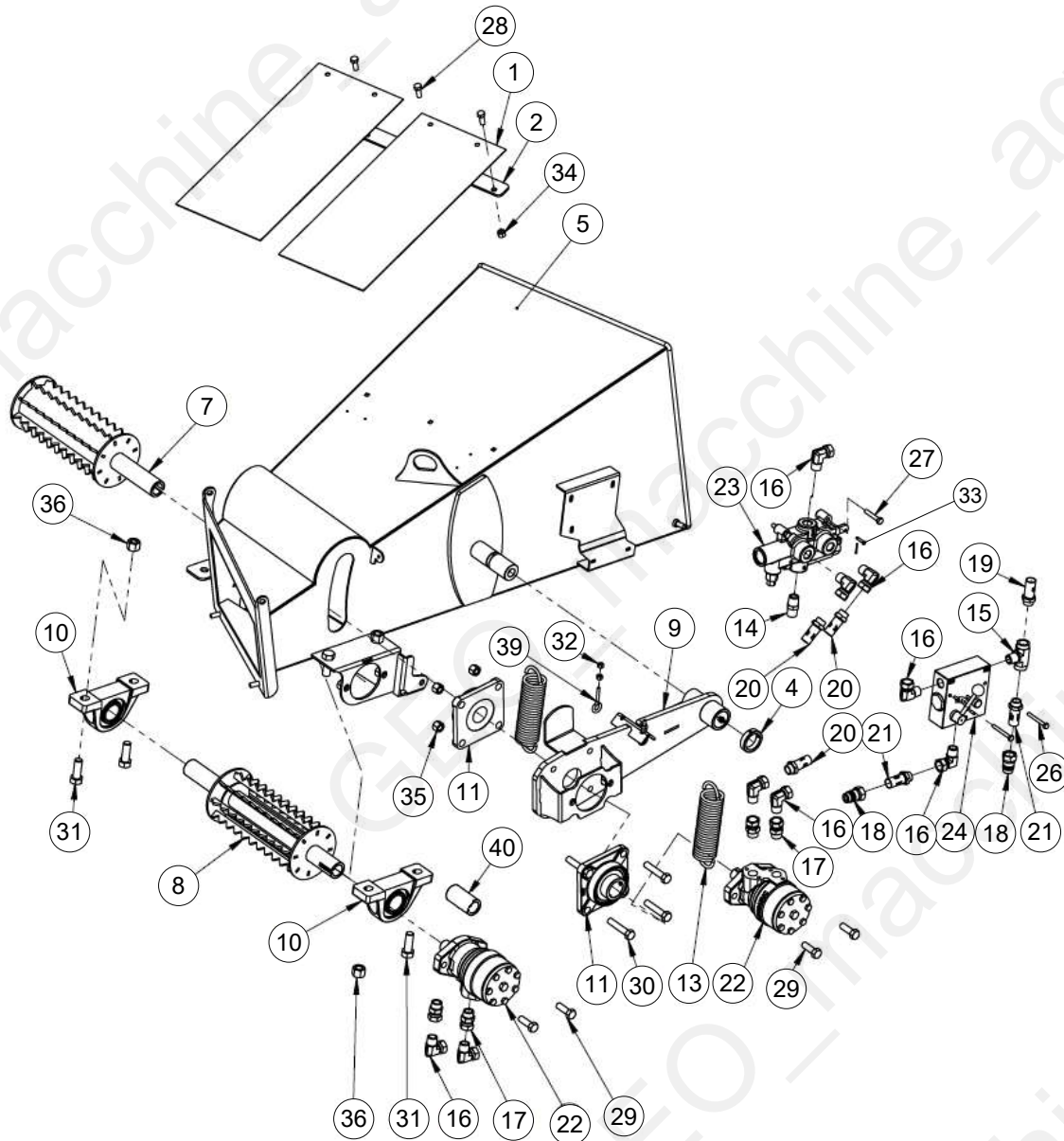
Assembly: ECO21-Z_parte 2



Pos	Code	Description	NOTE	Q.
1	1012W201	Housing- Bottom Rotor		1
3	1081W102	Rotor		1
4	Z34201	Gas Spring		2
5	Z34201-3	Threaded Rod End		4
6	GB/T5782/M8x65	Bolt M8x65		2
7	GB/T889.1/M8	Lock Nut M8		2



Pos	Code	Description	NOTE	Q.
2	1012L229	Plate- Spacer Ring		1
3	1012L234	Plate- Hood Capture 2		1
4	1012L233	Deflector- Discharge Chute		1
5	1012L230	Plate- Hood Capture 1		1
6	1012W206	Discharge Chute		1
7	1012W208	Assembly- Hood Latch		1
8	GB/T5783/M6x20	Bolt M6x20		8
9	GB/T889.1/M6	Lock Nut M6		8
10	Z31403	Spring 25mm x 178mm Heavy		1
11	Z92304	Single-Jack Chain #10 (35 links)		1
12	ECO21.03.012			1
13	GB/T802/M8	Acorn Nut M8		2



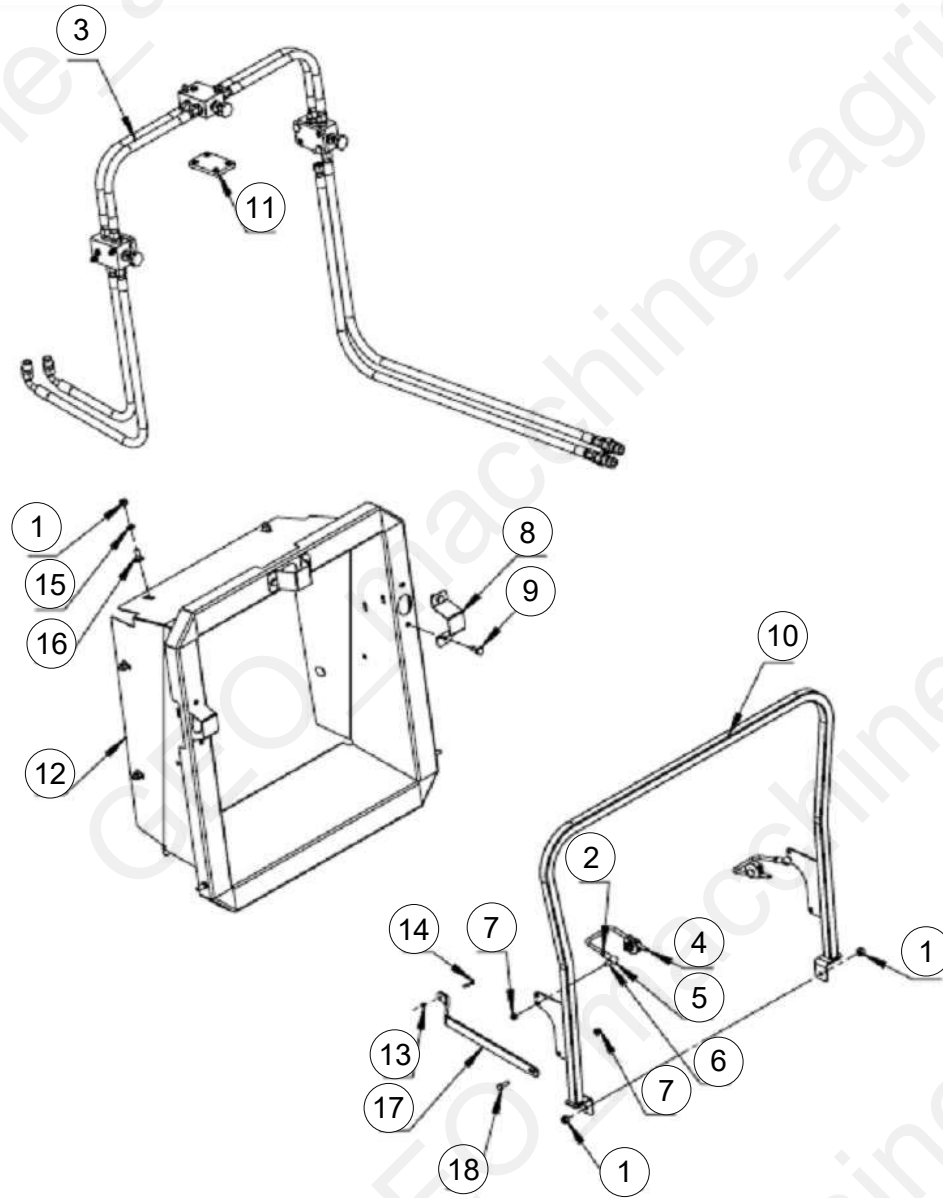
Pos	Code	Description	NOTE	Q.
1	1012S203	Flap- Hopper		0
2	1014L451	Safety Flap Bar		1
4	1013M025	Arm Capture Bushing		1
5	1014W401	Weldment- Main Hopper		0
7	1014W403	Drum- Upper Feed Roller		0
8	1014W404	Drum- Lower Feed Roller		0
9	1014W402	Roller Arm1		1
10	Z24101	P208 Pillow Block		2
11	Z25204-F210	4-Bolt Bearing F210		2
13	Z31501	Spring 2 x 7 Heavy		2
14	Z51122	Nipple		1
15	Z51161	Tee		1
16	Z51331	Elbow		9
17	Z51371	Straight		4
18	Z51903	Pioneer Coupler		2
19	Z52302	Hose		1
20	Z52303	Hose		3
21	Z52304	Hose		2
22	Z54102	M&S Hydraulic Motor		2
23	X-20-1	CONTROL VALVE X-20-1		0
24	Z56303	Hydraulic Flow Control		1
26	GB/T5782/M6x65	Bolt M6x65		2
27	GB/T5782/M8x50	Bolt M8x50		3
28	GB/T5783/M6x20	Bolt M6x20		0
29	GB/T5783/M12x45	Bolt M12x45		4

Machine: ECO 21-Z

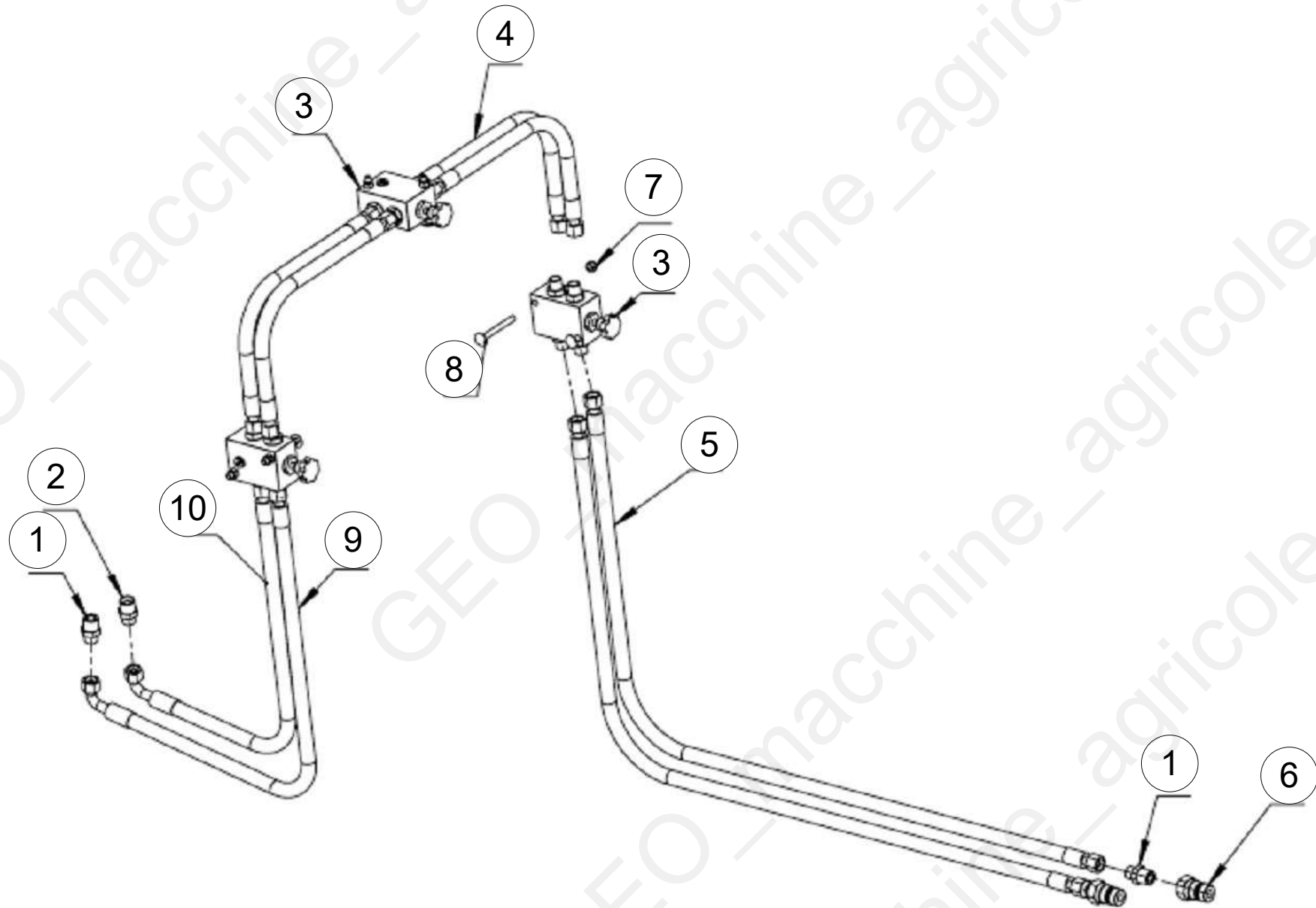
Assembly: ECO21-Z_parte 4



Pos	Code	Description	NOTE	Q.
30	GB/T5782/M12x65	Bolt M12x65		4
31	GB/T5783/M16x45	Bolt M16x45		4
32	GB/T889.1/M8	Lock Nut M8		0
33	BX62R.00.101	Pin		1
34	GB/T91/2.5x10	Split pin 2.5x10		1
35	GB/T889.1/M12	Lock Nut M12		8
36	GB/T889.1/M16	Lock Nut M16		4
39	Z76511	Eye Bolt		2
40	BX62RS.10.101	SPACER		0



Pos	Code	Description	NOTE	Q.
1	GB889.1-M10	Locking nut M10		11
2	GB6170-M8	Nut M8		2
4	BX92RSA.10.015	CAPTURE-ASSEMBLY		1
5	AH320.0A.105-1	BALL JOINTS-SET		0
6	AH320.0A.105-2	BALL JOINTS-SET		0
7	GB889.1-M8	Locking nut M8		3
8	BX92RSA.10.110	COVER-VALVE		1
9	GB5783-M10x25	Bolt M10X25		9
10	BX92RSA.10.014	HANDLE-WMT		0
11	BX92RSA.10.120	PLATE		3
12	BX92RSA.10.041	ADDITIONAL HOPPER-WMT		0
13	GB889.1-M5	Locking nut M5		1
14	GB5782-M5x25	Bolt M5x25		1
15	GB97.1-10	PLAIN WASHER 10		9
16	GB/T14-M10x25	SQUARE NECK BOLT M10x25		6
17	BX92RSA.10.114	LINK BAR		1
18	GB5783-M8x25	bolt M8X25		1



Machine: ECO 21-Z

Assembly: ECO21-Z_parte 6

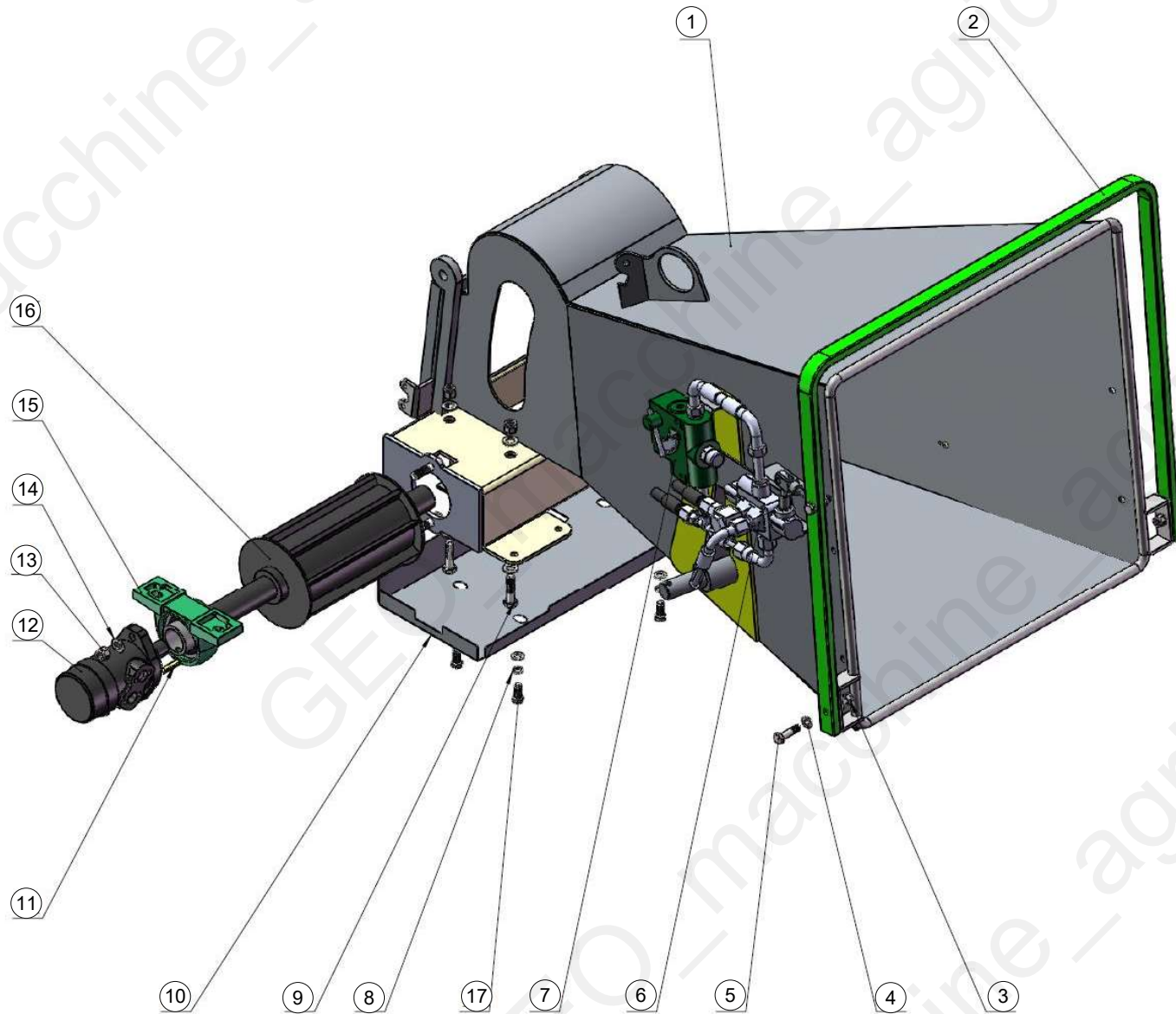


Pos	Code	Description	NOTE	Q.
1	BX92RSA.30.101	STRAIGHT FITTING		3
2	BX92RSA.30.102	STRAIGHT FITTING		1
3	SV-12/5	EMERGENCY STOP		3
4	BX92RSA.30.015	HOSE		4
5	BX92RSA.30.018	HOSE		2
6	KJ-R1-2-M	QUICK CONNECTER-MALE		0
7	GB889.1-M8	Locking nut M8		6
8	GB/T14-M8×75	SQUARE NECK BOLT M8x75		6
9	BX92RSA.30.017	HOSE-INLET		0
10	BX92RSA.30.016	HOSE-OUTLET		0

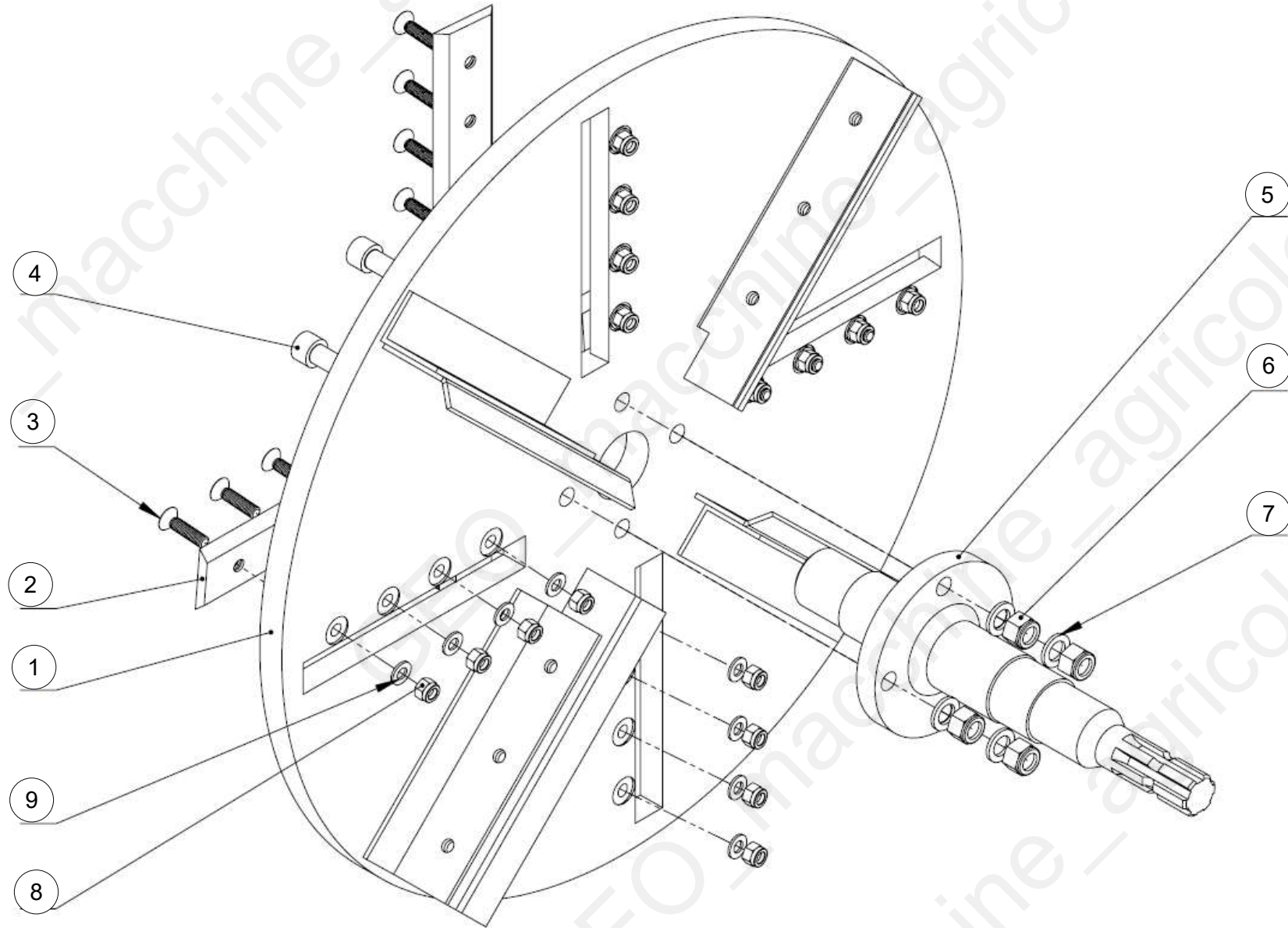
ECO 21 2014 2017



GEO Italy S.R.L.



Pos	Code	Description	NOTE	Q.
1	ECO21.2.001	Infeed Chute Weldment		1
2	ECO21.2.002	Reversing Lever		1
3	GB/T.889.1-2000-10	Lock Nut M10		3
4	GB/T97.1-2002-10	Plain washer 10		10
5	ECO21.1.005	BOLT M10×40		3
6	F-TH/DH-U01	Reversing Valve Unit for BX		1
7	ECO21.2.007	Permanents Flow Valves		1
8	GB/T.93-1987-10	Spring washer 10		4
9	ECO22.1.009	BOLT M12×50		6
10	ECO22.1.010	Roller Cover		1
11	ECO22.1.011	KEYS 8×40		1
12	F-TY-A02.P01	Hydraulic motor		1
13	ECO21.2.013	LOCKNUT 12		6
14	GB/T.95-2000-12	WASHER 12		12
15	ECO21.1.015	Bearings P208		2
16	F-TH06-2	FIXED FEEDING ROLLER		1
17	GB/T5783-M10x30	Bolt M10x30		1



Pos	Code	Description	NOTE	Q.
1	BX42-A01.W01	Chipper Disk Weldment		1
2	ECO21.10.02	BLADE 9		4
3	GB/T68-2000-M10x40	SCREW M10×40		16
4	GB/T.71-2000-16x50	Screws socket head M16×50		4
5	FTH21.3.005	POWER-INPUT-SHAFT		1
6	GB/T.889.1-2000-16	Lock Nut M16		4
7	GB/T.95-2000-16	WASHER 16		4
8	GB/T.889.1-2000-10	Lock Nut M10		16
9	GB/T97.1-2002-10	Plain washer 10		16

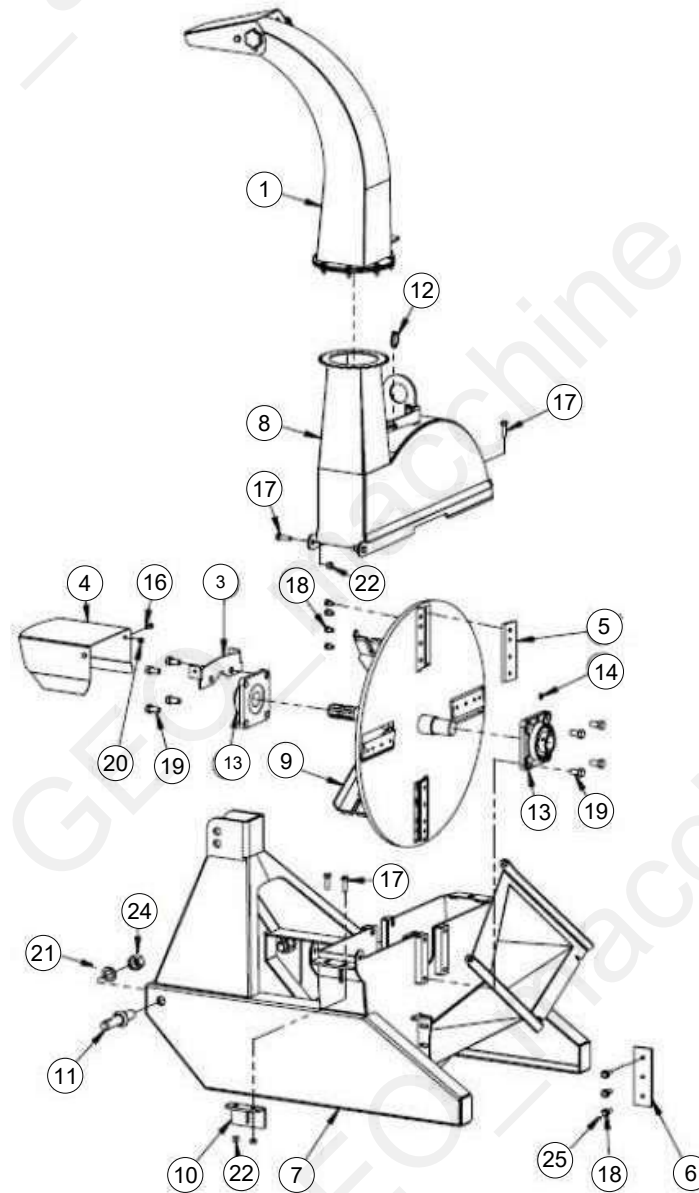
Pos	Code	Description	NOTE	Q.
1	BX62H-W01	Engine Body		1
3	BX62-W02	Upper Housing		1
4	ECO21.1.004	BEARING CAGE		1
5	GB/T.889.1-2000-6	Lock Nut M6		9
6	GB/T.95-2000-6	WASHER 6		9
7	ECO21.1.007	Turnplate Handle		1
8	ECO21.1.008	Turnplate Pin		1
9	ECO21.1.009	Platen Spring		1
10	GB/T5781-2000-M6×20	BOLT M6×20		7
11	BX62-W04	DISCHARGE TUBE		1
12	ECO21.1.012	Protective Cover Weldment		1
13	FRD-TY19	Support Pole		1
14	GB/T97.1-2002-8	Plain washer 8		10
15	GB/T.5780-2000-M8×140	BOLT M8×140		1
16	GB/T.889.1-2000-10	Lock Nut M10		11
17	ECO21.1.017	Platen		1
18	GB/T5781-2000-M6×25	BOLT M6×25		2
19	ECO21.1.019	Insulate Plate		1
20	ECO21.1.020	Lower Turnplate		1
21	GB825-88-M10	Ring bolt M10×20		6
22	ECO21.1.022	Locking Pin 8×40		3
23	ECO21.1.023	Clevis		1
24	GB/T.5782-2000-M12x40	BOLT M12×40		3
25	GB/T.95-2000-12	WASHER 12		10
26	GB/T5780-2000-M16x180	Bolt M16×180		1

Pos	Code	Description	NOTE	Q.
27	GB/T.889.1-2000-16	Lock Nut M16		1
28	ECO21.1.028	Left Bearing Cover		1
29	ECO21.1.029	Right Bearing Cover		1
30	ECO21.1.030	BOLT M10×60		2
31	F-TH06-1	ACTIVE FEEDING ROLLER(H)		1
32	GB/T.93-1987-10	Spring washer 10		4
33	ECO21.1.033	Infeed Chute		1
34	ECO21.1.034	Swing Arm		1
35	GB/T97.1-2002-10	Plain washer 10		19
36	GB/T.93-1987-16	Spring washer 16		16
37	GB/T5782-2000-M10x50	BOLT M10×50		2
38	ECO21.1.038	LOCKNUT 12		2
39	F-TY18	TENSION SPRING		4
40	ECO21.1.040	BOLT M12×50		2
41	ECO21.1.041	BOLT M16×55		8
42	GB/T.41-2000-16	Nut M16		8
43	F-TY-A02.P01	Hydraulic motor		1
44	GB/T.6184-2000-8	LOCKNUT 8		5
45	ECO21.1.045	BEARING F210-CHANGE		4
46	ECO21.1.046	BOLT M16×40		8
47	GB/T.95-2000-16	WASHER 16		21
48	ECO21.1.048	ANVIL		1
49	ECO21.1.049	Cylinder		2
50	GB/T.5781-2000-M8×30	BOLT M8×30		4
51	GB/T.41-2000-12	Nut M12		3

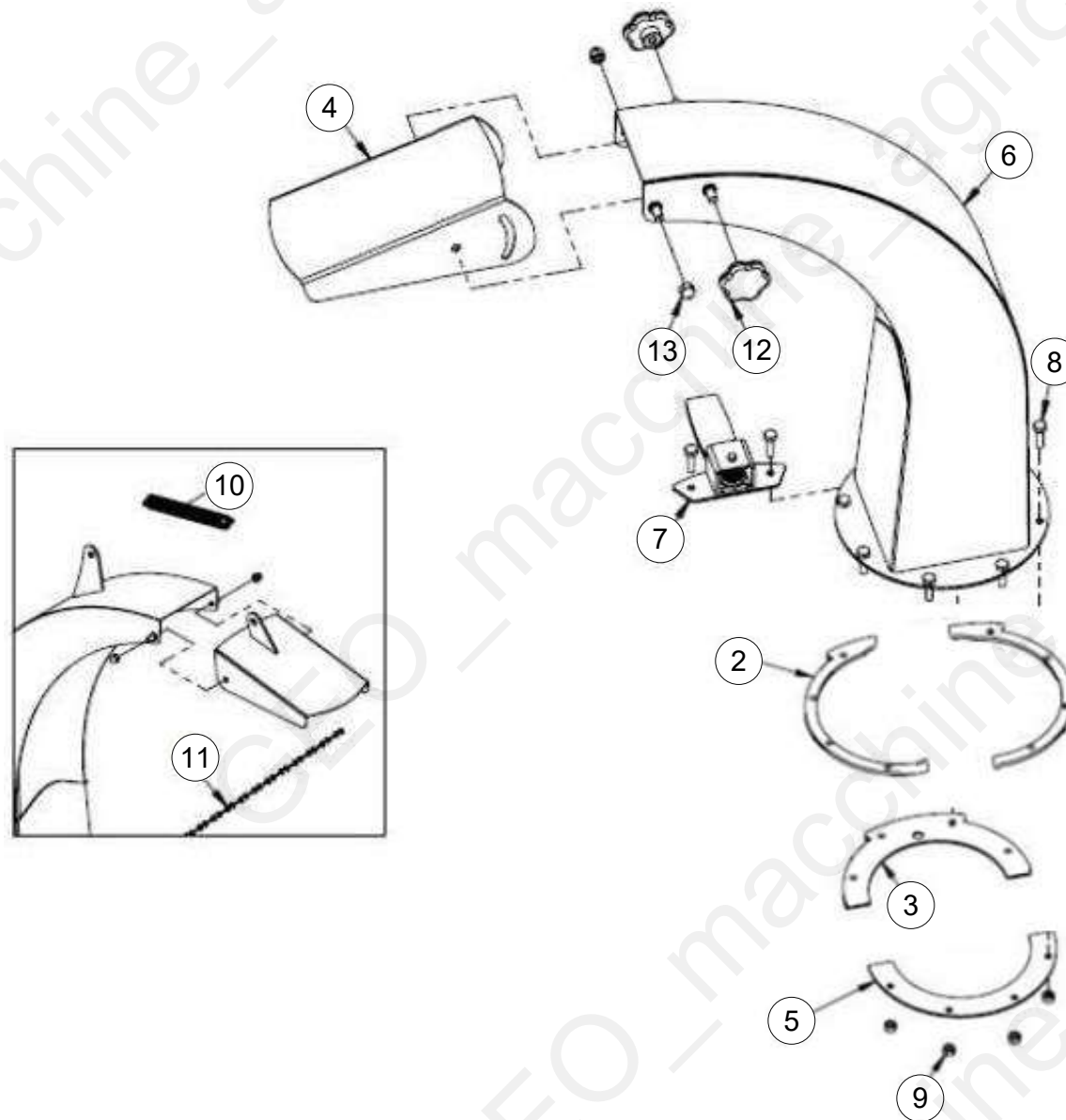
Pos	Code	Description	NOTE	Q.
52	GB/T.93-1987-12	Spring washer 12		3
53	GB/T.41-2000-27	Nut M27		2
54	GB/T.93-1987-27	Spring washer 27		2
55	ECO21.1.055	Hanger Pin		2
56	ECO21.1.011	KIT Discharge ECO21		1
57	ECO21.1.010	Estensione ECO21		1

ECO 21 2009 2013

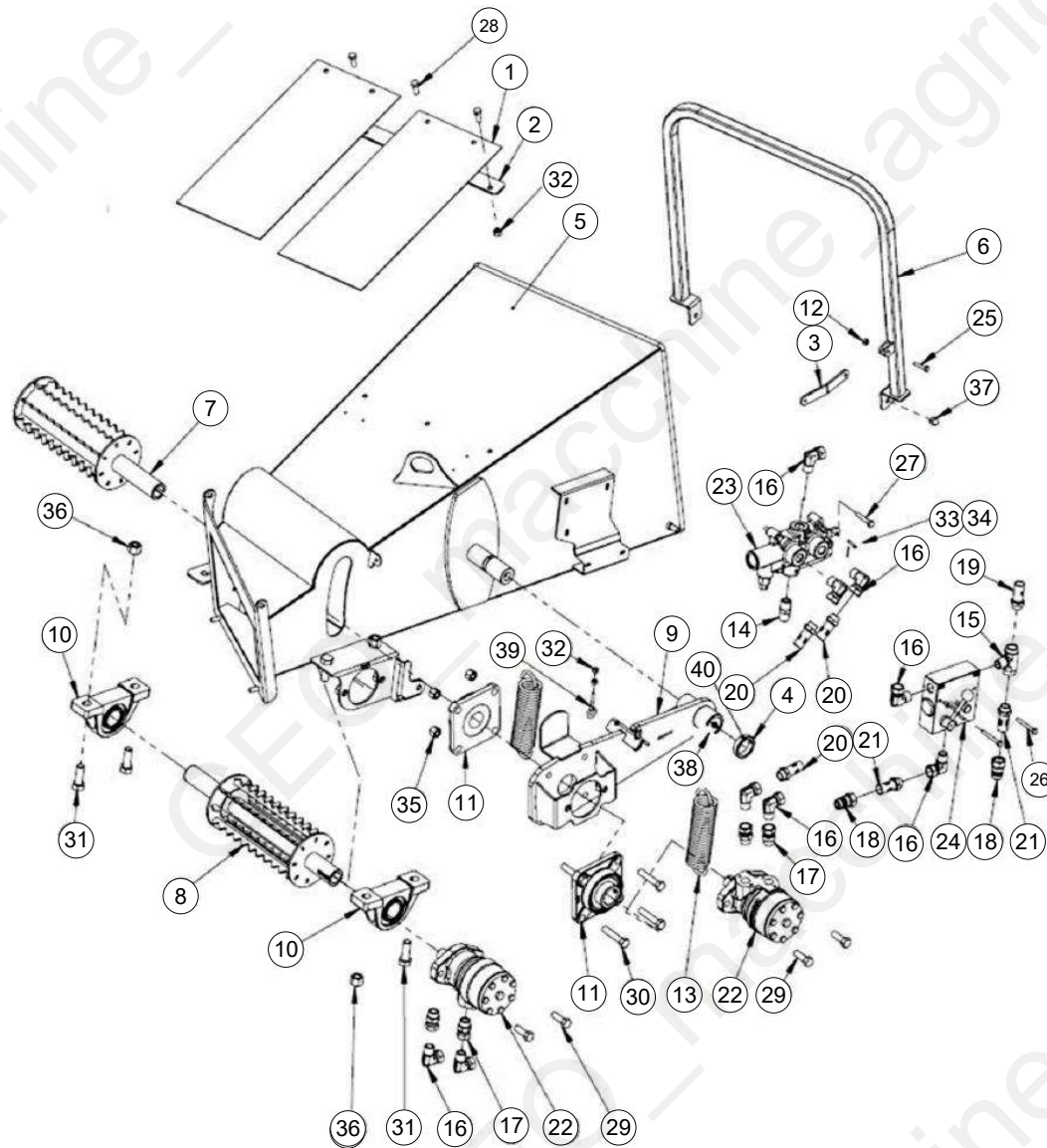




Pos	Code	Description	NOTE	Q.
3	1012L206	Bracket- PTO Cover Mount		1
4	1012L212	PTO Cover		1
5	1012M203	Knife- Rotor		4
6	1012M204	Knife- Ledger		1
7	1012W201	Housing- Bottom Rotor		1
8	1012W202	Housing- Upper Rotor		1
9	1081W102	Rotor		1
10	1012W204	Twig Breaker		1
11	Z11431	Implement Pin		2
12	Z12110	Latch Pin		1
13	Z25203-F210	4-Bolt Bearing F210		2
14	GB/T1152-89/M6	Grease Zerk M6		2
16	GB5783-86/M10x20	Bolt M10x20		2
17	GB5783-86/M12x35	Bolt M12x35		7
18	GB/T5786/M12x1.5x25	Bolt M12x1.5 x 25		5
19	GB/T5786/M16x1.5x45	Bolt M16x1.5x45		8
20	GB/T889.1/M10	Lock Nut M10		2
21	GB/T93/22	Lock Washer 22		2
22	GB/T889.1/M12	Lock Nut M12		5
24	GB/T6171/22x1.5	Nut M22x1.5		2
25	GB/T97.1/12	Plain Washer 12		3

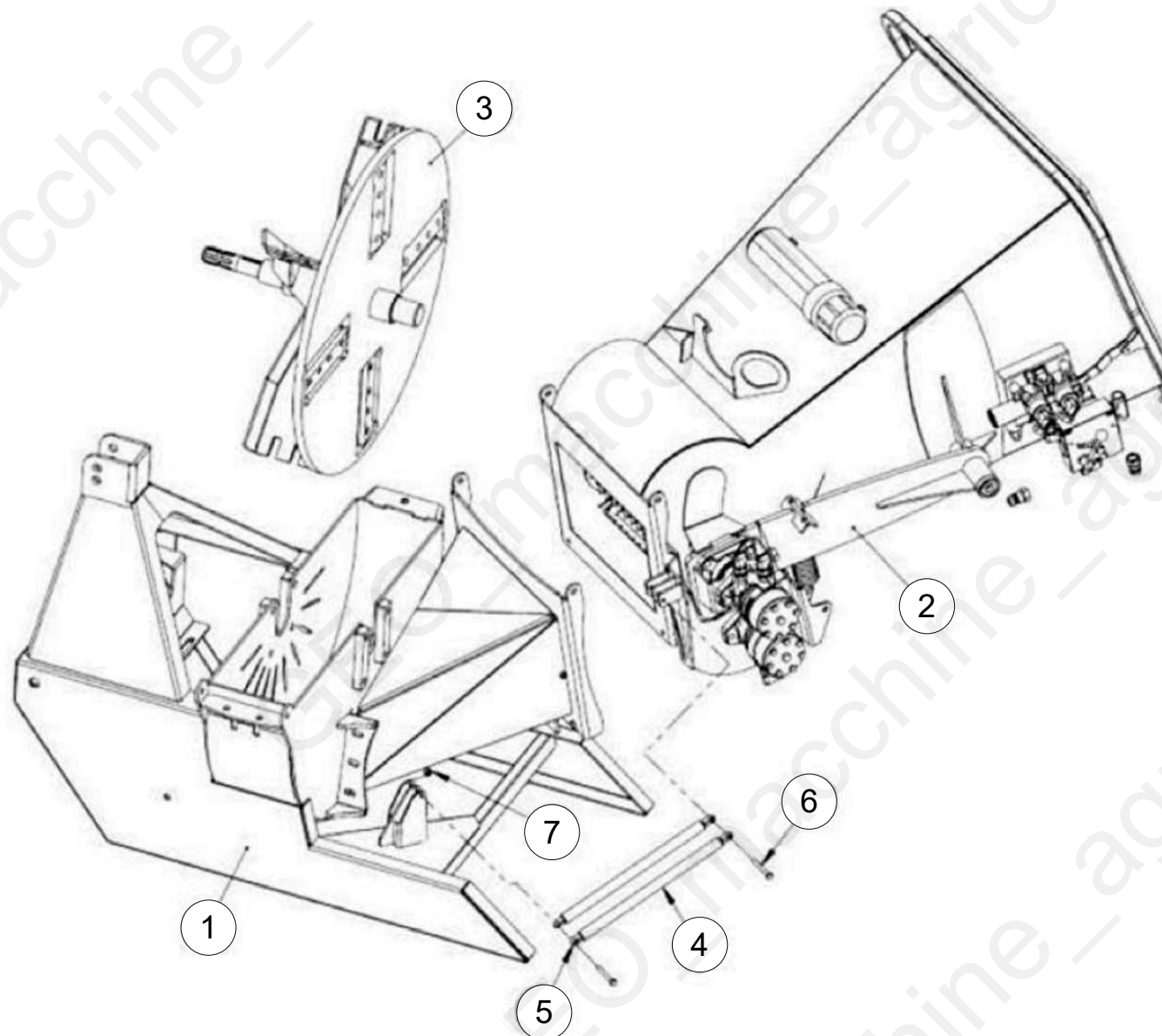


Pos	Code	Description	NOTE	Q.
2	1012L229	Plate- Spacer Ring		1
3	1012L234	Plate- Hood Capture 2		1
4	1012L233	Deflector- Discharge Chute		1
5	1012L230	Plate- Hood Capture 1		1
6	1012W206	Discharge Chute		1
7	1012W208	Assembly- Hood Latch		1
8	GB/T5783/M6x20	Bolt M6x20		8
9	GB/T889.1/M6	Lock Nut M6		8
10	Z31403	Spring 25mm x 178mm Heavy		1
11	Z92304	Single-Jack Chain #10 (35 links)		1
12	ECO21.P2.012			1
13	GB/T802/M8	Acorn Nut M8		2



Pos	Code	Description	NOTE	Q.
1	1012S203	Flap- Hopper		0
2	1014L451	Safety Flap Bar		1
3	1014L413	Feed Handle Link Bar		1
4	1013M025	Arm Capture Bushing		1
5	1014W401	Weldment- Main Hopper		0
6	1014W405	Feed Handle		1
7	1014W403	Drum- Upper Feed Roller		0
8	1014W404	Drum- Lower Feed Roller		0
9	1014W402	Roller Arm1		1
10	Z24101	P208 Pillow Block		2
11	Z25204-F210	4-Bolt Bearing F210		2
12	GB/T889.1/M6	Lock Nut M6		1
13	Z31501	Spring 2 x 7 Heavy		2
14	Z51122	Nipple		1
15	Z51161	Tee		1
16	Z51331	Elbow		9
17	Z51371	Straight		4
18	Z51903	Pioneer Coupler		2
19	Z52302	Hose		1
20	Z52303	Hose		3
21	Z52304	Hose		2
22	Z54102	M&S Hydraulic Motor		2
23	X-20-1	CONTROL VALVE X-20-1		0
24	Z56303	Hydraulic Flow Control		1
25	GB/T5783/M6x25	Bolt M6x25		1

Pos	Code	Description	NOTE	Q.
26	GB/T5782/M6x65	Bolt M6x65		2
27	GB/T5782/M8x50	Bolt M8x50		3
28	GB/T5783/M6x20	Bolt M6x20		0
29	GB/T5783/M12x45	Bolt M12x45		4
30	GB/T5782/M12x65	Bolt M12x65		4
31	GB/T5783/M16x45	Bolt M16x45		4
32	GB/T889.1/M8	Lock Nut M8		0
33	BX62R.00.101	Pin		1
34	GB/T91/2.5x10	Split pin 2.5x10		1
35	GB/T889.1/M12	Lock Nut M12		8
36	GB/T889.1/M16	Lock Nut M16		4
37	GB/T802/M8	Acorn Nut M8		2
38	GB/T1152-89/M6	Grease Zerk M6		1
39	Z76511	Eye Bolt		2



Machine: ECO 21 2009 2013

Assembly: ECO21old_parte 4



Pos	Code	Description	NOTE	Q.
1	1012W201	Housing- Bottom Rotor		1
3	1081W102	Rotor		1
4	Z34201	Gas Spring		2
5	Z34201-3	Threaded Rod End		4
6	GB/T5782/M8x65	Bolt M8x65		2
7	GB/T889.1/M8	Lock Nut M8		2

KIT_Protezione



1



Machine: KIT_Protezione

Assembly: KIT_PROT



Pos	Code	Description	NOTE	Q.
1	ECO.00.01	KIT Protezione Cuffie		1