

## ECO 16



GEO Italy S.R.L.

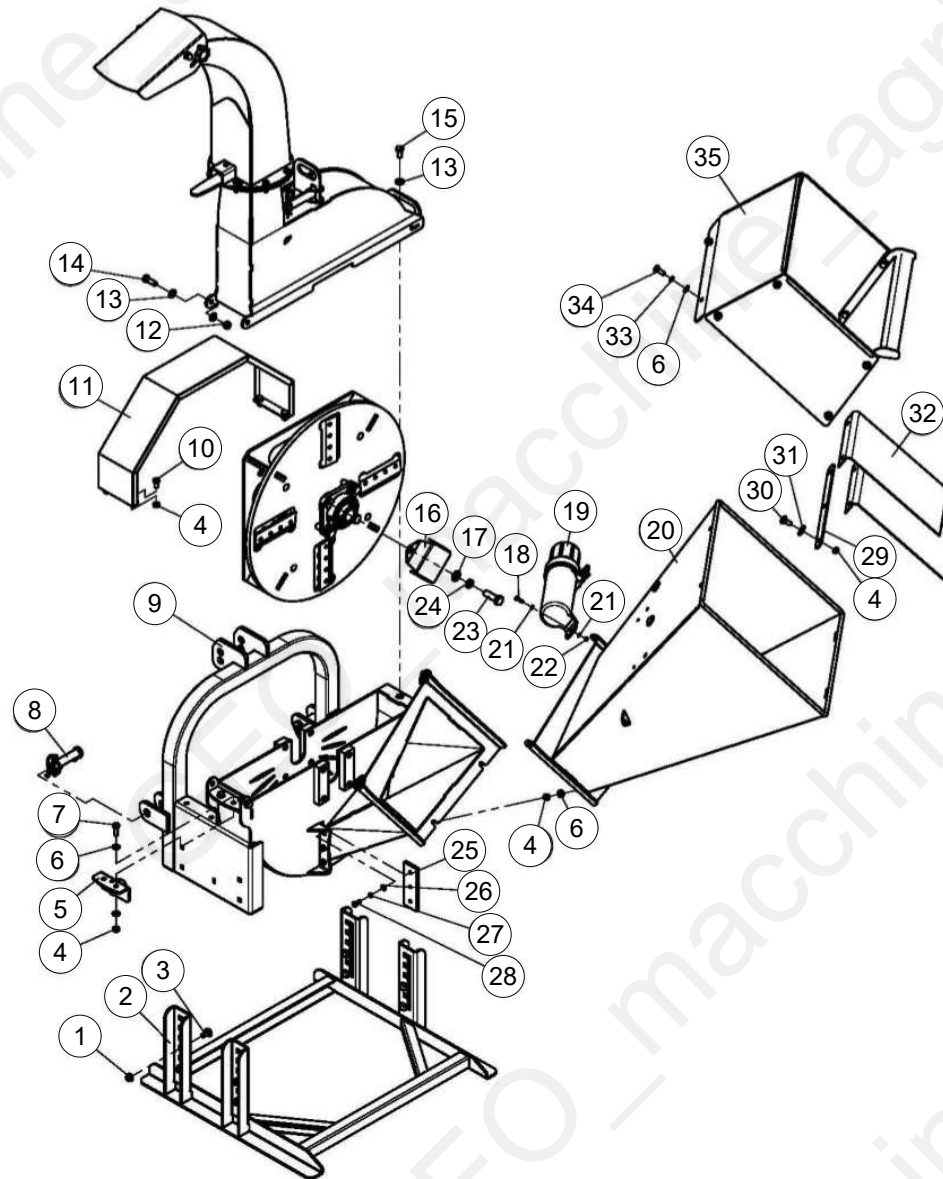
# Table of Contents

| <b>Tavola</b>   | <b>Page</b> |
|-----------------|-------------|
| ECO 16 MOD      | 3           |
| ECO16 2010_2013 | 13          |
| KIT_Protezione  | 18          |

## ECO 16 MOD



GEO Italy S.R.L.



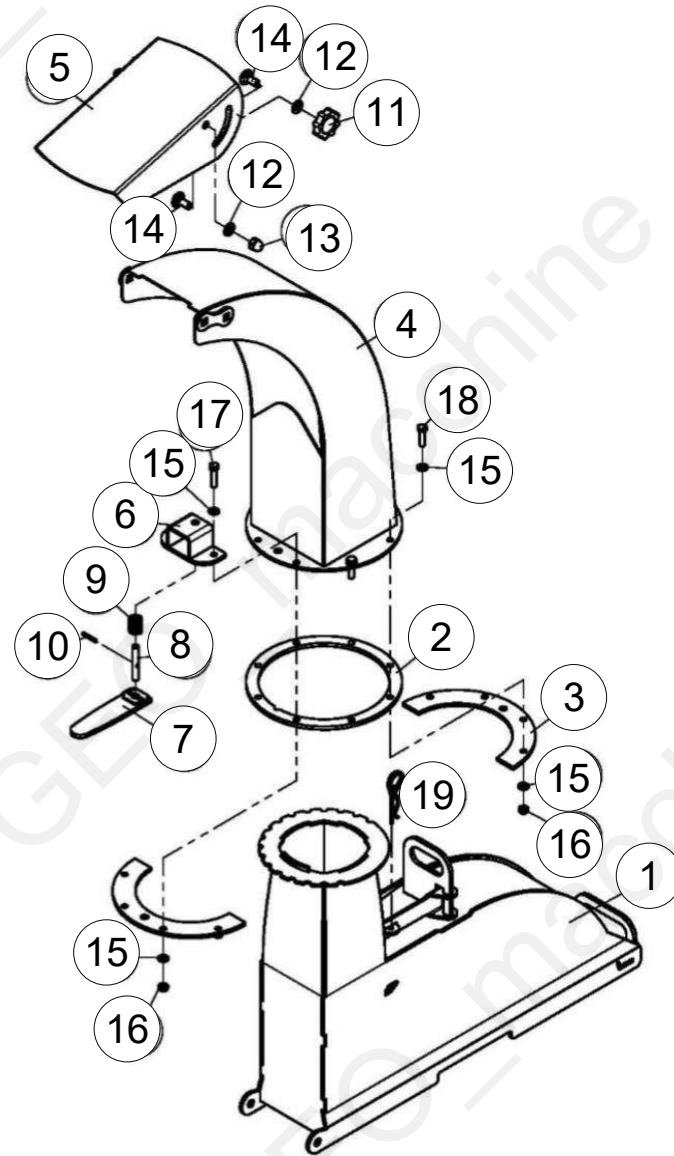
| Pos | Code           | Description      | NOTE | Q. |
|-----|----------------|------------------|------|----|
| 1   | GB6177.1-M10   | nut              |      | 8  |
| 2   | WCX5G-0024     | brace            |      | 1  |
| 3   | GB794-A-M10X25 | bolt             |      | 8  |
| 4   | DIN985-M10     | Locking nut M10  |      | 11 |
| 5   | WCX5-0013      | Cutting blade    |      | 1  |
| 6   | GB97.1-10      | PLAIN WASHER 10  |      | 8  |
| 7   | GB5783-M10X30  | Bolt M10X30      |      | 2  |
| 8   | RKN120.018     | Lower Pin        |      | 2  |
| 9   | WCX5G-0012     | base             |      | 1  |
| 10  | GB5783-M10X20  | Bolt M10x20      |      | 4  |
| 11  | WCX5G-0111     | Cover plate      |      | 1  |
| 12  | DIN985-M12     | nut M12          |      | 4  |
| 13  | GB97.1-12      | plain washer 12  |      | 9  |
| 14  | GB5783-M12X35  | Bolt M12X35      |      | 4  |
| 15  | GB5783-M12X25  | Bolt M12X25      |      | 1  |
| 16  | WCX5-0109      | Shaft cover      |      | 1  |
| 17  | GB97.1-16      | Plain washer 16  |      | 1  |
| 18  | GB5783-M6X20   | bolt M6X20       |      | 3  |
| 19  | BH-6.07.092    | Manual tube      |      | 1  |
| 20  | WCX5-0011      | hopper           |      | 1  |
| 21  | GB97.1-6       | Plain washer 6   |      | 6  |
| 22  | DIN985-M6      | Locking nut M6   |      | 3  |
| 23  | GB5783-M16X50  | Bolt M16x50      |      | 1  |
| 24  | GB93-16        | spring washer 16 |      | 1  |
| 25  | WCX5-0102      | Stationary blade |      | 1  |

Machine: ECO 16 MOD

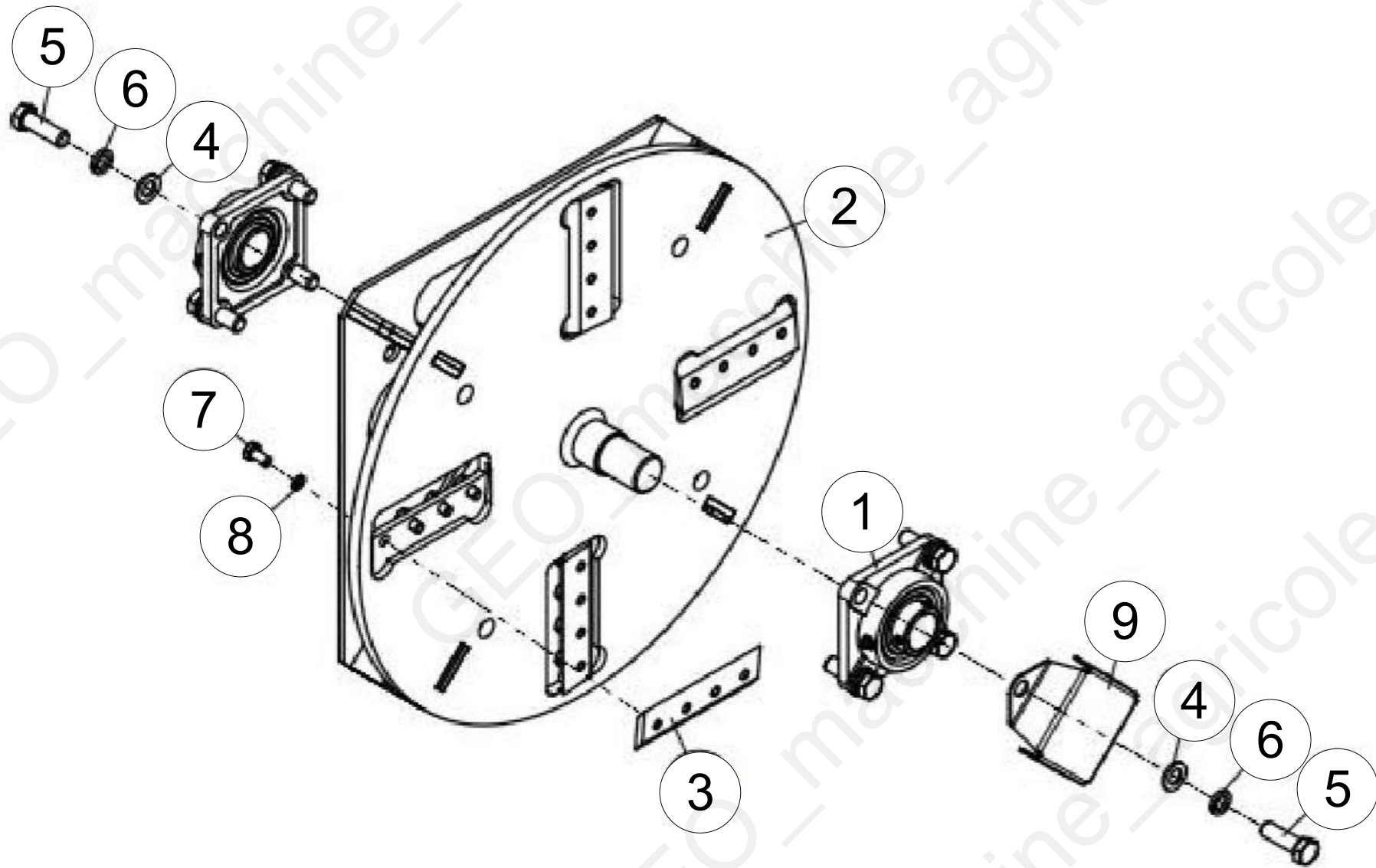
Assembly: ECO16\_MOD\_parte 1



| Pos | Code          | Description      | NOTE | Q. |
|-----|---------------|------------------|------|----|
| 26  | GB97.1-8      | Plain washer 8   |      | 3  |
| 27  | GB93-8        | Spring washer 8  |      | 3  |
| 28  | GB5783-M8X20  | bolt M8X20       |      | 3  |
| 29  | WCX5-0108     | Trim strip       |      | 1  |
| 30  | GB12-M10X25   | Bolt M10X25      |      | 3  |
| 31  | GB96.1-10     | Plain washer 10  |      | 3  |
| 32  | WCX5-0107     | Rubber plate     |      | 2  |
| 33  | GB93-10       | spring washer 10 |      | 2  |
| 34  | GB5783-M10X25 | Bolt M10X25      |      | 2  |



| Pos | Code           | Description                  | NOTE | Q. |
|-----|----------------|------------------------------|------|----|
| 1   | WCX5-0015      | Upper cover weldment         |      | 1  |
| 2   | WCM8-10102     | SPACER CIRCLE                |      | 1  |
| 3   | WCM8-10101     | PRESS BOARD                  |      | 2  |
| 4   | WCX5-0016      | Discharge weldment           |      | 1  |
| 5   | WCM8-10103     | Exhaust hood discharge cover |      | 1  |
| 6   | WCM8-00041     | Lock pin bracket             |      | 1  |
| 7   | WCM8-00038A    | Lock pin handle              |      | 1  |
| 8   | WCM8-10104     | Lock pin                     |      | 1  |
| 9   | AM60.01.110    | Return spring                |      | 1  |
| 10  | GB119.1-B-4X28 | B4x28 PIN                    |      | 1  |
| 11  | WCM8-00042     | COMPACT NUT                  |      | 2  |
| 12  | GB97.1-10      | PLAIN WASHER 10              |      | 4  |
| 13  | GB923-M10      | Nut M10                      |      | 2  |
| 14  | GB12-M10X25    | Bolt M10X25                  |      | 4  |
| 15  | GB97.1-8       | Plain washer 8               |      | 16 |
| 16  | DIN985-M8      | nut M8                       |      | 8  |
| 17  | GB5783-M8X35   | bolt M8x35                   |      | 2  |
| 18  | GB5783-M8X30   | bolt M8X30                   |      | 6  |
| 19  | ZL-25.104      | R pin                        |      | 1  |

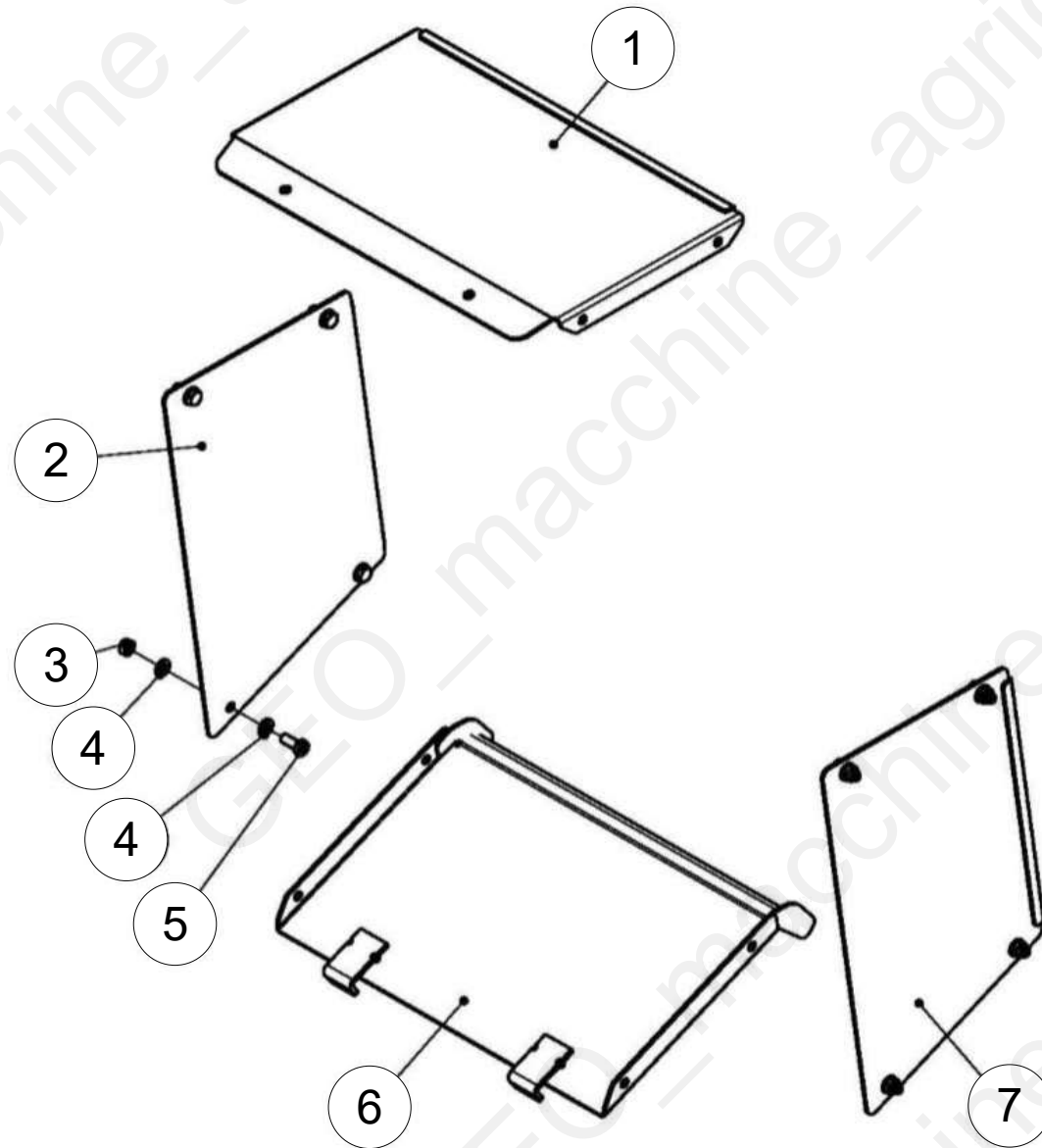


Machine: ECO 16 MOD

Assembly: ECO16\_MOD\_parte 3



| Pos | Code          | Description         | NOTE | Q. |
|-----|---------------|---------------------|------|----|
| 1   | UCF208        | Bearing seat UCF208 |      | 2  |
| 2   | WCX5-0014     | Flywheel weldment   |      | 1  |
| 3   | WCX5-0101     | Moving knives       |      | 1  |
| 4   | GB97.1-16     | Plain washer 16     |      | 4  |
| 5   | GB5783-M16X50 | Bolt M16x50         |      | 4  |
| 6   | GB93-16       | spring washer 16    |      | 4  |
| 7   | GB5783-M10X20 | Bolt M10x20         |      | 1  |
| 8   | GB93-10       | spring washer 10    |      | 1  |
| 9   | WCX5-0109     | Shaft cover         |      | 1  |



Machine: ECO 16 MOD

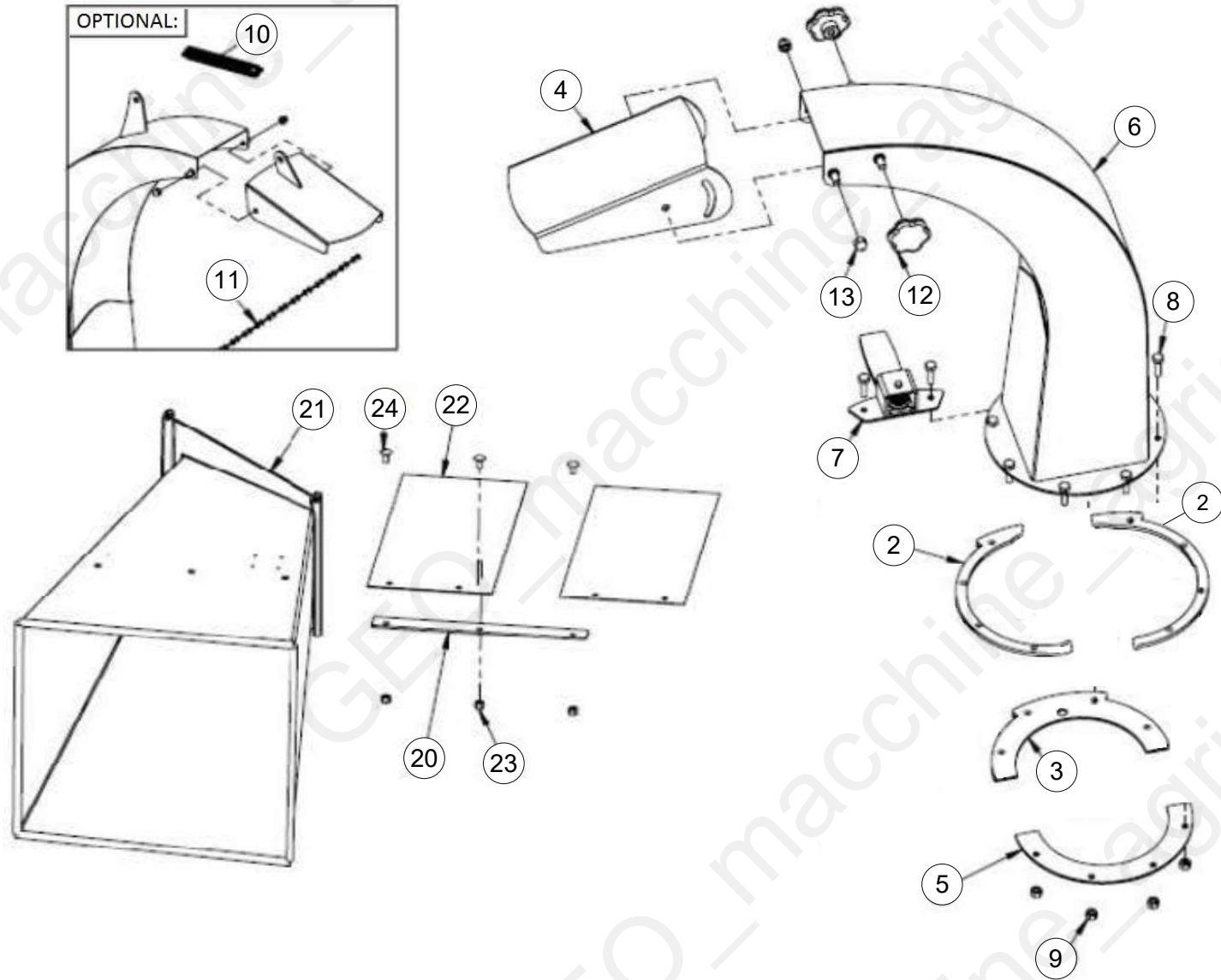
Assembly: ECO16\_MOD\_parte 4



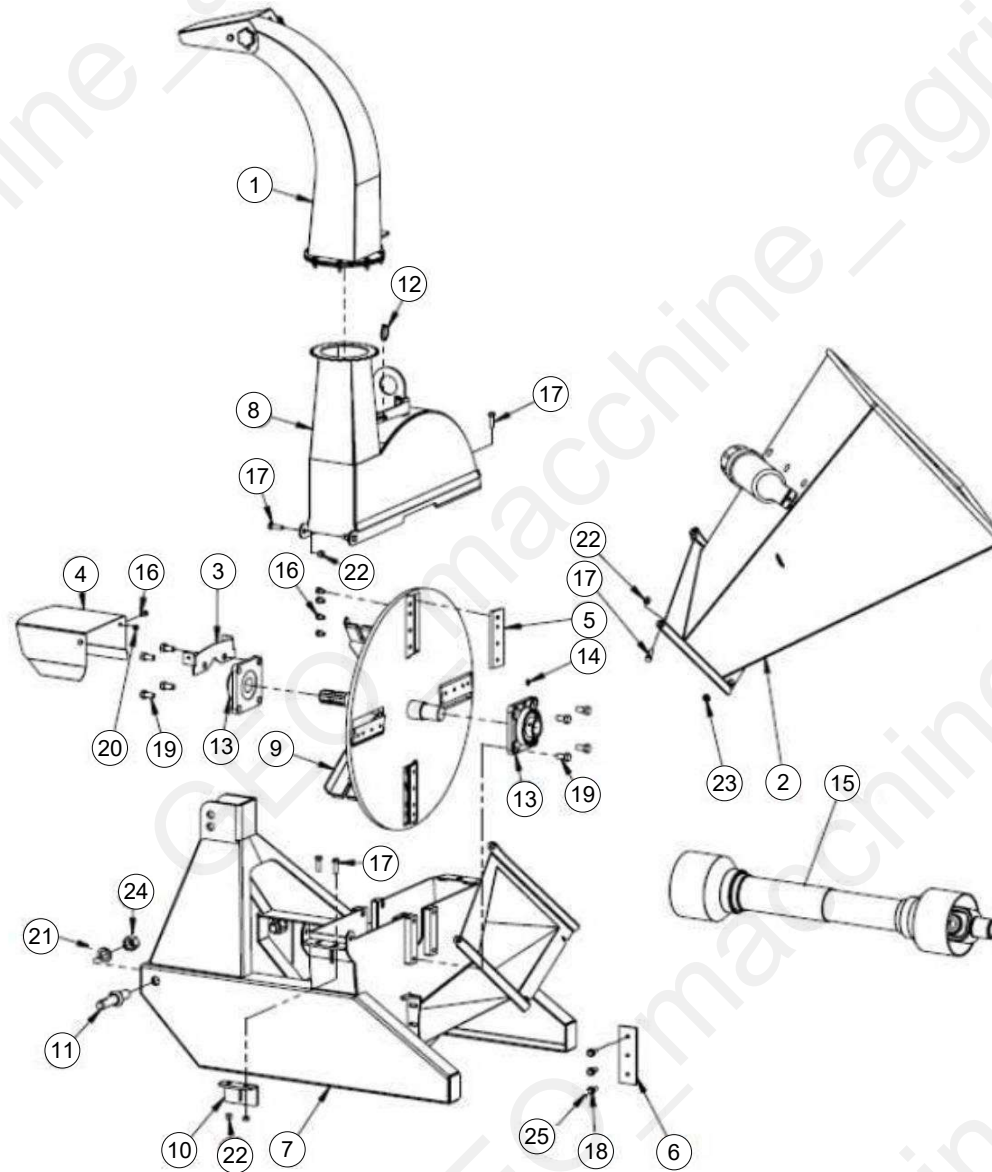
| Pos | Code          | Description     | NOTE | Q. |
|-----|---------------|-----------------|------|----|
| 1   | WCX5G-3101.01 | plate           |      | 1  |
| 2   | WCX5G-3104    | plate           |      | 1  |
| 3   | DIN985-M10    | Locking nut M10 |      | 8  |
| 4   | GB97.1-10     | PLAIN WASHER 10 |      | 16 |
| 5   | GB5783-M10X25 | Bolt M10X25     |      | 8  |
| 6   | WCX5G-3102.01 | plate           |      | 1  |
| 7   | WCX5G-3103    | plate           |      | 1  |

## ECO16 2010\_2013





| Pos | Code           | Description                      | NOTE | Q. |
|-----|----------------|----------------------------------|------|----|
| 2   | 1011L127       | Plate- Spacer Ring               |      | 2  |
| 3   | 1011L134       | Plate- Hood Capture              |      | 1  |
| 4   | 1011L133       | Deflector- Discharge Chute       |      | 1  |
| 5   | 1011L130       | Plate- Hood Capture              |      | 1  |
| 6   | 1011W106       | Discharge Chute                  |      | 1  |
| 7   | 1012W208       | Assembly- Hood Latch             |      | 1  |
| 8   | GB/T5783/M6x20 | Bolt M6x20                       |      | 8  |
| 9   | GB/T889.1/M6   | Lock Nut M6                      |      | 8  |
| 10  | Z31403         | Spring 25mm x 178mm Heavy        |      | 0  |
| 11  | Z92304         | Single-Jack Chain #10 (35 links) |      | 1  |
| 12  | Z19313         | Knob                             |      | 2  |
| 13  | GB/T802/M8     | Acorn Nut M8                     |      | 2  |
| 20  | 1011L151       | Safety Flap Bar                  |      | 1  |
| 21  | 1011A102       | Self-Feed Hopper                 |      | 1  |
| 22  | 1012S203       | Flap- Hopper                     |      | 0  |
| 23  | GB/T889.1/M8   | Lock Nut M8                      |      | 3  |
| 24  | GB/T12/M8x25   | Carriage Bolt M8x25              |      | 3  |



| Pos | Code            | Description              | NOTE | Q. |
|-----|-----------------|--------------------------|------|----|
| 3   | 1011L106        | Bracket- PTO Cover Mount |      | 0  |
| 4   | 1011L112        | PTO Cover                |      | 1  |
| 5   | 1011M103        | Knife- Rotor             |      | 0  |
| 6   | 1011M104        | Knife- Ledger            |      | 0  |
| 7   | 1011W101        | Housing- Bottom Rotor    |      | 0  |
| 8   | 1011W102        | Housing- Upper Rotor     |      | 0  |
| 9   | 1011W103        | Rotor                    |      | 1  |
| 10  | 1011W104        | Twig Breaker             |      | 1  |
| 11  | Z11431          | Implement Pin            |      | 2  |
| 12  | Z12110          | Latch Pin                |      | 1  |
| 13  | Z25204-F208     | 4-Bolt Bearing F208      |      | 2  |
| 14  | GB/T1152-89/M6  | Grease Zerk M6           |      | 2  |
| 15  | Z44501          | #5 PTO Shaft M10 Shear   |      | 1  |
| 16  | GB/T5783/M6x20  | Bolt M6x20               |      | 2  |
| 17  | GB/T5783/M12x30 | Bolt M12x30              |      | 7  |
| 18  | GB/T5786/M8x1x1 | Bolt M8x1x15             |      | 19 |
| 19  | GB/T5786/M16x1. | Bolt M16x1.5x45          |      | 8  |
| 20  | GB/T889.1/M6    | Lock Nut M6              |      | 2  |
| 21  | GB/T93/22       | Lock Washer 22           |      | 2  |
| 22  | GB/T889.1/M12   | Lock Nut M12             |      | 5  |
| 23  | GB/T6177.1/M10  | Flange Nut M10           |      | 2  |
| 24  | GB/T6171/22x1.5 | Nut M22x1.5              |      | 2  |
| 25  | GB/T97.1/8      | Plain Washer 8           |      | 3  |

## KIT\_Protezione



1



Machine: KIT\_Protezione

Assembly: KIT\_PROT



| Pos | Code      | Description           | NOTE | Q. |
|-----|-----------|-----------------------|------|----|
| 1   | ECO.00.01 | KIT Protezione Cuffie |      | 1  |