

Macchina

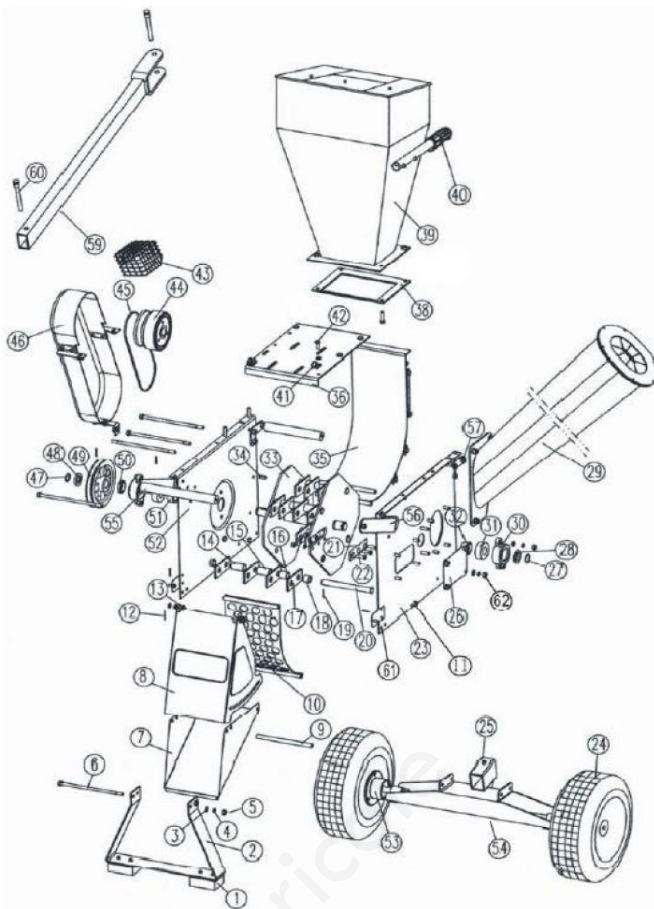
ECO7



Sezione

1

ECO7



| SerNo | PartNo | Description | Quantity |
|-------|-------------|------------------|----------|
| 1 | ECO7.100.01 | rubber foot | 2 |
| 2 | ECO7.100.02 | front foot | 1 |
| 3 | GB.ECO7.01 | flat washer | |
| 4 | GB.ECO7.02 | hex nut | |
| 5 | GB.ECO7.03 | lock washer | |
| 6 | GB.ECO7.04 | hex bol t | 1 |
| 7 | ECO7.100.03 | discharge chuter | 1 |
| 8 | ECO7.100.04 | movable door | 1 |
| 9 | GB.ECO7.05 | tube | 3 |

| | | | |
|------|---------------|---------------------|----|
| 10 | ECO7.100.05 | screen | 1 |
| 11 | GB.ECO7.06 | pin | 2 |
| 12 | GB.ECO7.07 | hitch pin | 2 |
| 13 | GB.ECO7.08 | door axle | 4 |
| 14 | GB.ECO7.09 | spacer I | 4 |
| 15 | GB.ECO7.10 | spacer II | 4 |
| 16 | GB.ECO7.11 | spacer III | 8 |
| 17 | ECO7.100.06 | hammer | 16 |
| 18 | GB.ECO7.12 | spacer IV | 4 |
| 19 | GB.ECO7.13 | roll pin | 4 |
| 20 | GB.ECO7.14 | hammer axle | 4 |
| 21 | ECO7.100.07 | blade | 1 |
| 22 | GB.ECO7.15 | flat HD SCR | 1 |
| 23 | ECO7.100.08 | box frame side left | 2 |
| 24 | ECO7.100.09 | wheel | 1 |
| 25 | ECO7.100.10 | wheel support | 1 |
| 26 | ECO7.100.11 | blade cover plate | 1 |
| 27 | GB.ECO7.16 | wire circlip | 1 |
| 28 | GB.ECO7.17 | washer(right) | 1 |
| 29 | GB.ECO7.18 | chipping chute | 2 |
| 30 | GB.ECO7.19 | bearing seat | 2 |
| 31 | GB.ECO7.20 | ball bearing | 2 |
| 32 | GB.ECO7.21 | spacer (right) | 1 |
| 33 | ECO7.100.12 | impeller | 1 |
| 34 | GB.ECO7.22 | key | 1 |
| 35 | ECO7.100.13 | rear board | 1 |
| 36 | ECO7.100.14 | engine seat | 1 |
| 37 | ECO7.100.15 | tool box | 1 |
| 38 | ECO7.100.16 | rubber gasket | 1 |
| 39 | ECO7.100.17 | hopper | 1 |
| 40 | ECO7.100.18 | handles | 2 |
| 41 | GB.ECO7.23 | hook | 2 |
| 42 | GB.ECO7.24 | hex bolt | |
| 43 | ECO7.100.19 | burn-proof net | 1 |
| 44,1 | ECO7.100.20 | Pulley + clutch | 1 |
| 44,2 | ECO7.100.20.2 | Only clutch | 1 |
| 45 | ECO7.100.21 | V-belt | 1 |
| 46 | ECO7.100.22 | pulley cover | 1 |
| 47 | GB.ECO7.25 | belt cover bracket | 1 |

| | | | |
|----|-------------|-----------------------|---|
| 48 | GB.ECO7.26 | spacer | 1 |
| 49 | ECO7.100.23 | pulley | 1 |
| 50 | GB.ECO7.27 | special washer (left) | 1 |
| 51 | GB.ECO7.28 | washer (right) | 1 |
| 52 | ECO7.100.24 | box frame side | 1 |
| 53 | ECO7.100.25 | wheel tube | 2 |
| 54 | ECO7.100.26 | wheel axel | 1 |
| 55 | ECO7.100.27 | front handle | 2 |
| 56 | ECO7.100.28 | handle part | 2 |
| 57 | ECO7.100.29 | box holder | 2 |
| 59 | ECO7.100.30 | hitch trailer | 1 |
| 60 | GB.ECO7.29 | hitch pin | 2 |
| 61 | GB.ECO7.30 | bolt | |
| 62 | GB.ECO7.31 | bolt | |