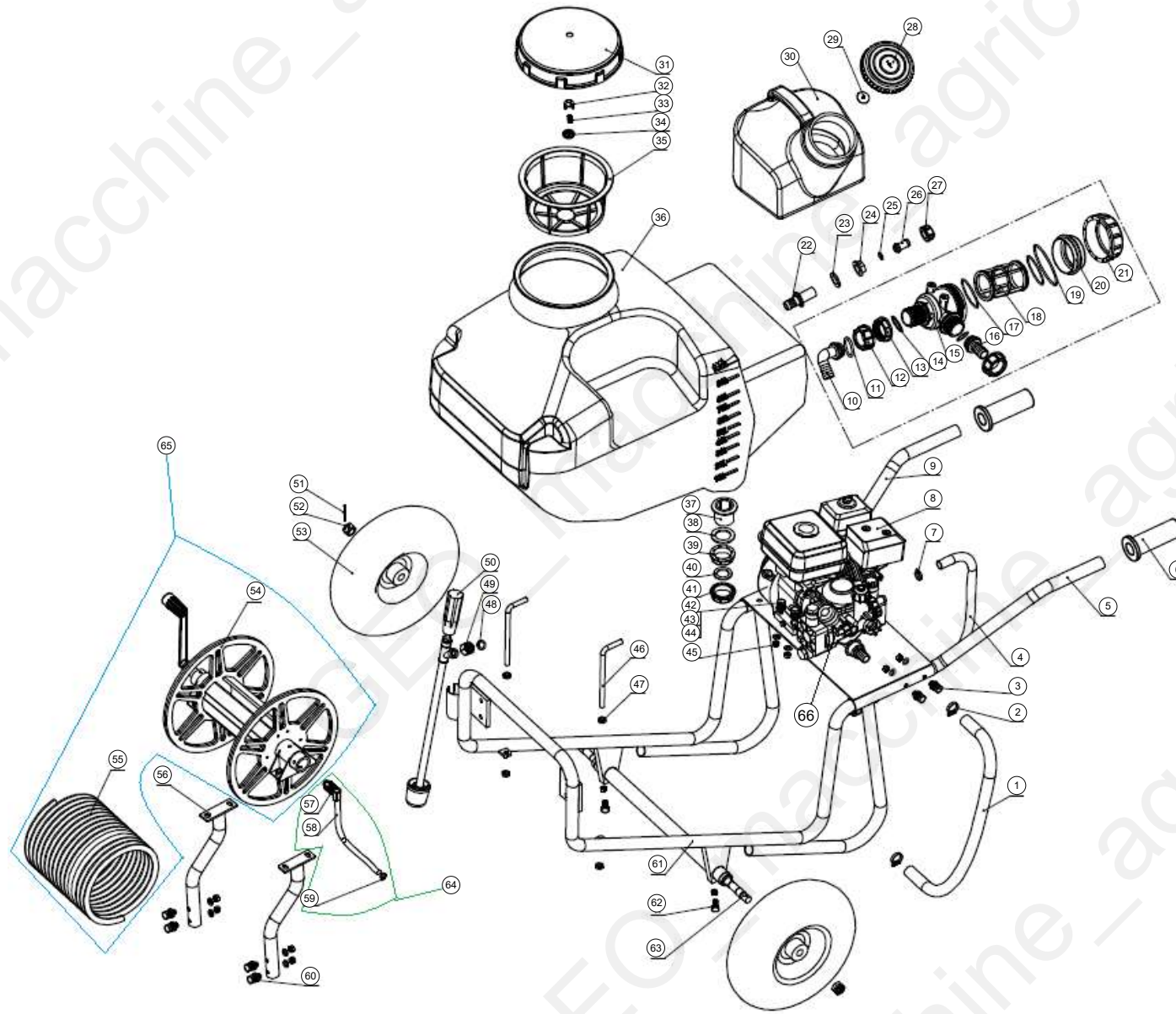


CAR



Table of Contents

Tavola	Page
CAR_100	3
CAR_200	7



Machine: CAR

Assembly: CAR_100



Pos	Code	Description	NOTE	Q.
1	TPM100/20D-01	pipe		1
2	C.1.002	Steel ring		2
3	GB/T5782-2000	Hex bolt M8*20		4
4	TPM100/20D-02	pipe		1
5	TPM100/20D.03-04	Right handle		1
6	TPM100/20D.03-02	rubber cover		2
7	C.1.007	Steel ring		2
8	GMBF20/152.00	Engine		1
9	TPM100/20D.03-03	Left handle		1
10	GLQ60-04	L connector		1
11	GB1235-76.O	ring		2
12	GLQ60-07	connector		2
13	GLQ60-06	Connector		1
14	GLQ60-09	ring		1
15	GLQ60-05	filter case		1
16	GLQ60-08	connector		1
17	GB/T3452.1-1992	O-ring 23.5*2.65		2
18	GLQ60-03	Filter		1
19	GB1235-76	O-RING 21X3.1		1
20	GLQ60-01	Cap		1
21	GLQ60-02	Cap		1
22	FXD7/340.03.01-11	connector		1
23	FXD7/340.03.01-12	Ring		1
24	FXD7/340.03.01-13	connector		1
25	C.1.025	Steel ring		1

GEO Italy S.R.L.

Via G. Abbate, 215, 14054 Castagnole delle Lanze AT

Page 4

Machine: CAR

Assembly: CAR_100



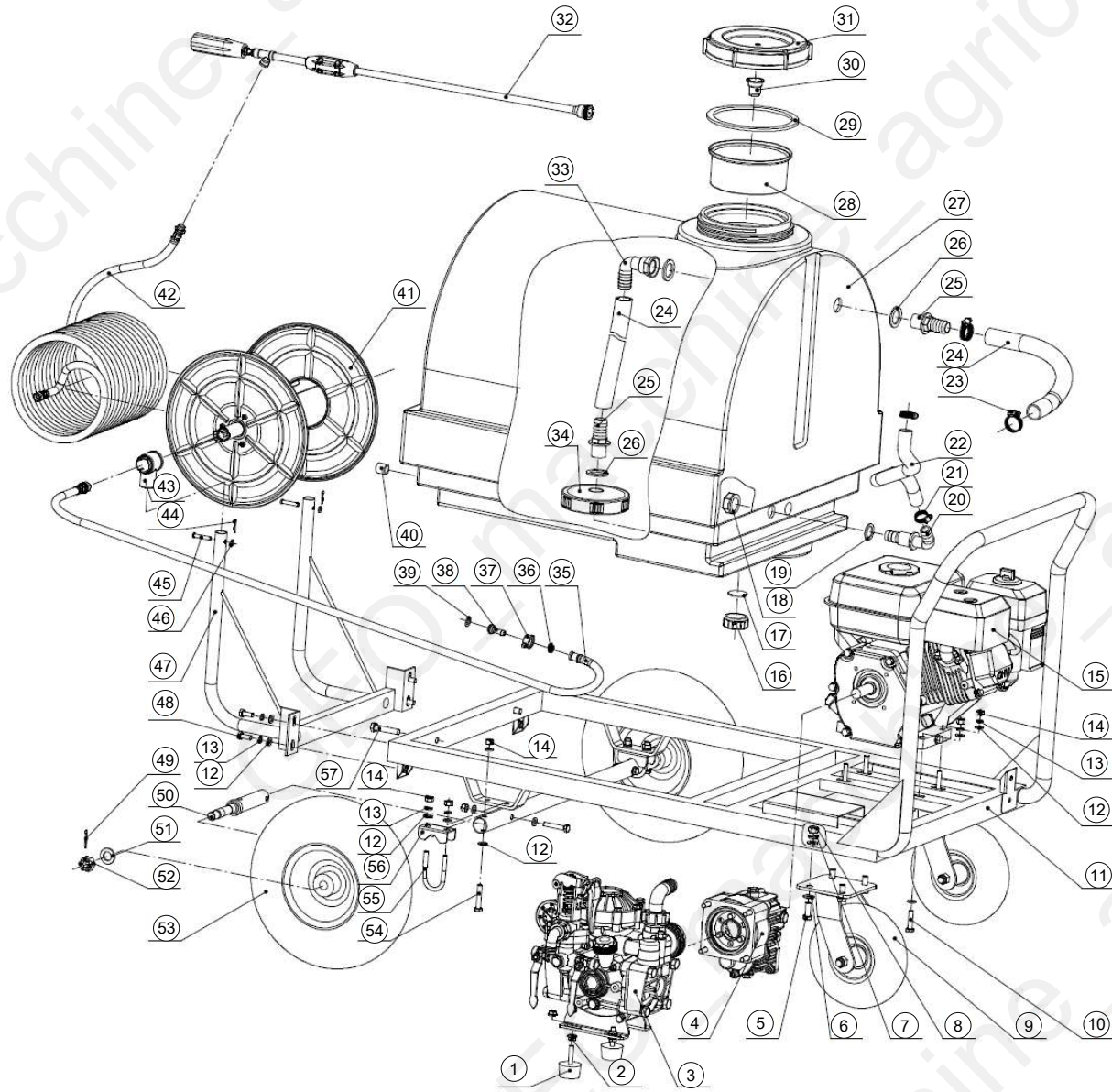
Pos	Code	Description	NOTE	Q.
26	AC1804(13)-01	pipe		1
27	HJY5-05	Connector		1
28	FM12-14	Cap		1
29	FM12-15	seal ring		1
30	TPM100/20D.04-02	Wash Tank		1
31	SXG240-01	Main Cap		1
32	SXG240-02	Ring		1
33	SXG240-04	Ring		1
34	SXG240-03	Ring		1
35	LW210.00	Net tank		1
36	TPM100/20D.04-01	Main Tank CAR 100		1
37	FXD7/340.03.01-10	Water outlet connector		1
38	FXD7/340.03.01-09	Water outlet connector sealing washer		1
39	GLQ60-06	Connector		1
40	FXD7/340.03.01-03	Backwater connector sealing washer		1
41	FXD7/340.03.01-08	Water drain block cap		1
42	GB/T5783-2000	Bolt		4
43	GB/T93-1987	Spring washer 6		12
44	GB95-2002	bolt		24
45	GB/T6170-2000	Nut M8		14
46	TPM100/20D.03-0	block		2
47	GB/T.6172.1-2000	locking nut		4
48	C.1.048	seal		1
49	CG16YP-01	connector		1
50	SG-403	Spray Gun		1

Machine: CAR

Assembly: CAR_100



Pos	Code	Description	NOTE	Q.
51	GB/T.91-2000	Split pin		2
52	GB/T.6178-1986	Hub cap		2
53	SR1/WB-2	Wheel		2
54	TPM100/20D.01	Hose reel		1
55	SP-526	Pipe		50
56	TPM100/20D.02	Bracket		2
57	HT402.90°	Connector		1
58	TPM100/20D.05	pipe connector		1
59	C.1.059	Stell Ring		1
60	GB/T5782-2000	Hex bolt M8*20		4
61	TPM100/20D.03.01	Main Frame		1
62	GB/T5782-2000	Hex bolt M8*20		2
63	TPM100/20D.03.02	Wheel support		1
64	QJ50/340.01.02	extension for hose reel		1
65	XQJ50/340.01.01	hose reel - 50M - diam8.5		1
66	GMB20	CAR 100 Pump		1



Machine: CAR

Assembly: CAR_200



Pos	Code	Description	NOTE	Q.
1	UPM30.02	rubber Support		2
2	GB6177-86	Washer		4
3	GMB3.0TY.00.GMB30T.Y	Pump Car200		1
4	GMBF.30.01.GMBF.30	Pump Connector-Reducer		1
5	GB/T.57.81-2000	M 10 × 25		8
6	GB/T.95-2002	Flat Gasket		16
7	GB/T.93-1987	SPRING WASHER		8
8	GB/T.41-2000-10	Hexagonal nut M10		8
9	CAR.01.009	Fron wheel		2
10	GB/T.5781-2000-M8×35	BOLT M8x35		4
11	TPM200/30.01.01	Main Frame		1
12	GB/T.95-2002	Flat Gasket		24
13	GB/T.93-1987	SPRING WASHER		8
14	GB/T.41-2000-8	Nut M8		12
15	168FA-Q1	Engine 168FA-Q1		1
16	CAR.01.016	Cap		1
17	CAR.01.017	ring		1
18	TPM200/30.04-02	25×21 PA66		1
19	TPM200/30.04-03	31.5×22×21		1
20	TPM200/30.04-01	L Connector		1
21	CAR.01.021	Steel ring		2
22	TPM200/30-01	Pipe		1
23	CAR.01.023	Steel ring		2
24	TPM200/30-02	Pipe		2
25	FXD7/340.03.01-02	Connector for backwater		2

Machine: CAR

Assembly: CAR_200



Pos	Code	Description	NOTE	Q.
26	FXD7/340.03.01-03	Backwater connector sealing washer		3
27	TPM200/30.03-01	Main Tank		1
28	CAR.01.028	Net Tank		1
29	CAR.01.029	Ring Cap		1
30	CAR.01.030	Seal		1
31	CAR.01.031	Cap		1
32	SG-101	Spray Gun		1
33	FXD7/340.03.01-04	Elbow connector for backwater		1
34	TF22C3.10.01	filter		1
35	TPM200/30.05.01	Pipe		1
36	CAR.01.036	seal		1
37	AC18.04-01	Connector		1
38	AC1804.(8)-01	Connector		1
39	CAR.01.039	Steel ring		1
40	TPM200/30-03	Cap		2
41	CAR.01.041	Hose reel		1
42	SP-526.50	pipe		50
43	CAR.01.043	Support Reel		2
44	CAR.01.044	connector		2
45	GB/T88.2-2000	Bolt		2
46	GB/T95-2002	Plain washer 8		2
47	CAR.01.047	Hose Reel support		1
48	GB/T5781-2000	Bolt		4
49	GB/T91-2000	Cotter pin		2
50	TPM200/30.01-03	Wheel Shaft		2

Machine: CAR

Assembly: CAR_200



Pos	Code	Description	NOTE	Q.
51	GB/T95-2002	Plain washer 8		2
52	GB/T945.9-1988	Hub Wheel		2
53	CAR.01.053	Wheel		2
54	GB/T5.781-2000	bolt		4
55	TPM.200/30.01-01U	U-Bolt		2
56	TPM.200/30.01-02U	Support		2
57	GB/T5.781-2000	bolt		2