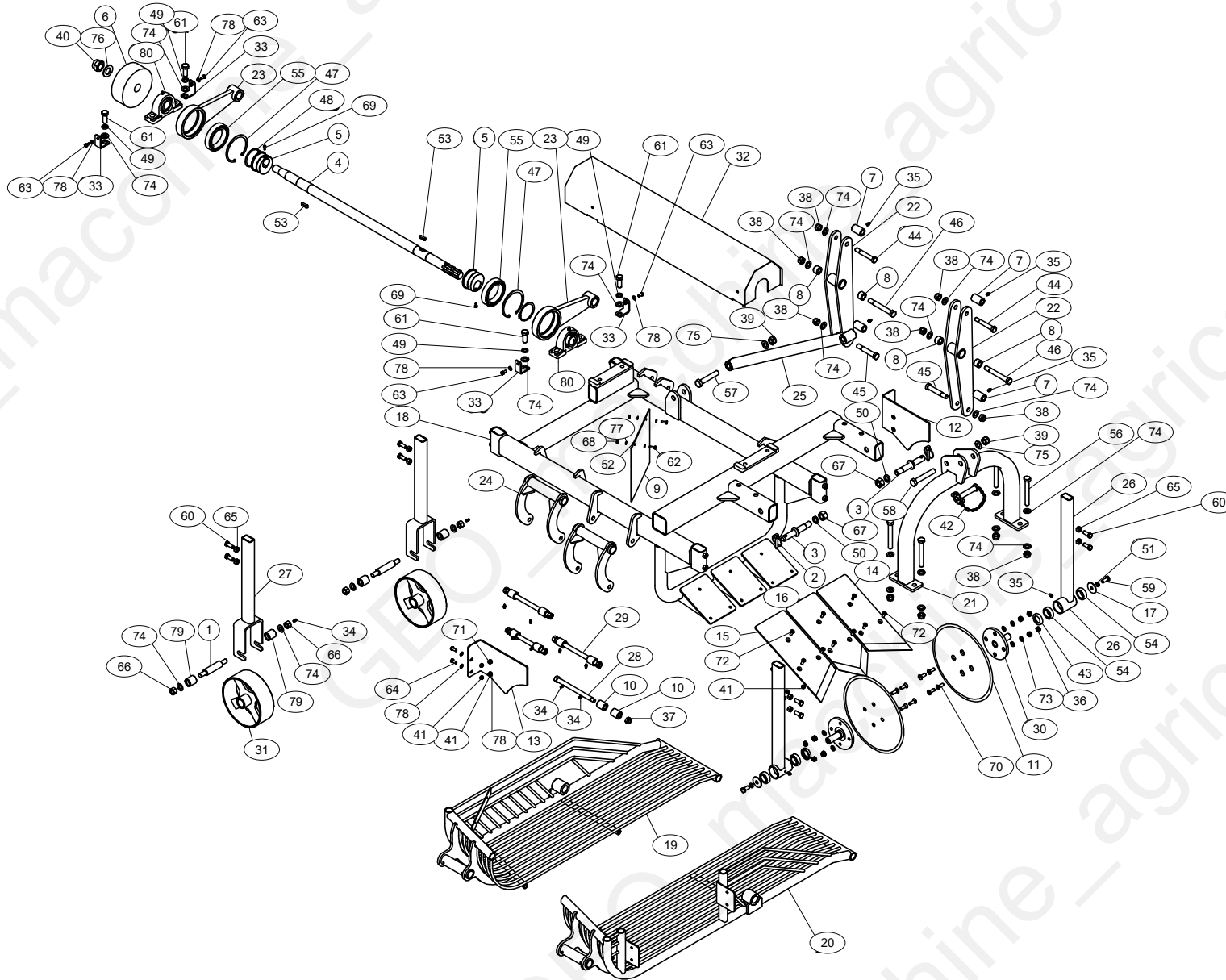


## PML



# Table of Contents

| Tavola     | Page |
|------------|------|
| PML_parte1 | 3    |



| Pos | Code           | Description                     | NOTE | Q. |
|-----|----------------|---------------------------------|------|----|
| 1   | 1LF-220-011-01 | Perno del rullo                 |      | 2  |
| 2   | 200.56.011     | Lock pin                        |      | 2  |
| 3   | 4U50A.00.01    | Albero di sospensione inferiore |      | 2  |
| 4   | 4U55-01.01     | Mandrino                        |      | 1  |
| 5   | 4U55-01.03     | Ruota eccentrica                |      | 2  |
| 6   | 4U55-01.04     | Bilanciere                      |      | 1  |
| 7   | 4U55-01.05     | Manicotto in nylon 1            |      | 4  |
| 8   | 4U55-01.06     | Manicotto in nylon 2            |      | 4  |
| 9   | 4U55-01.07     | Pelle di gomma                  |      | 1  |
| 10  | 4U55-01.08     | Manicotto in nylon 3            |      | 8  |
| 11  | 4U55-01.09     | Tagliere a ruota                |      | 2  |
| 12  | 4U55-01.10     | Cornice 1                       |      | 1  |
| 13  | 4U55-01.11     | Cornice 2                       |      | 1  |
| 14  | 4U55-01.12     | Coltello da scavo 1             |      | 1  |
| 15  | 4U55-01.13     | Scavo 2                         |      | 1  |
| 16  | 4U55-01.14     | Scavare 3                       |      | 1  |
| 17  | 4U55-01.16     | Guarnizione                     |      | 2  |
| 18  | 4U55-10        | telaio                          |      | 1  |
| 19  | 4U55-11        | Recinzione posteriore           |      | 1  |
| 20  | 4U55-12        | Recinzione anteriore            |      | 1  |
| 21  | 4U55-13        | 3 point hitch                   |      | 1  |
| 22  | 4U55-14        | Oscillante destro               |      | 2  |
| 23  | 4U55-15        | Biella                          |      | 2  |
| 24  | 4U55-16        | Oscillante sinistro             |      | 2  |
| 25  | 4U55-17        | Tirante                         |      | 1  |

| Pos | Code                | Description                    | NOTE | Q. |
|-----|---------------------|--------------------------------|------|----|
| 26  | 4U55-18             | Leva di regolazione anteriore  |      | 2  |
| 27  | 4U55-19             | Leva di regolazione posteriore |      | 2  |
| 28  | 4U55-20             | Vite                           |      | 2  |
| 29  | 4U55-21             | Vite                           |      | 2  |
| 30  | 4U55-23             |                                |      | 2  |
| 31  | 4U55-24             | Rotella di scorrimento         |      | 2  |
| 32  | 4U55-25             | Cover protettiva               |      | 1  |
| 33  | 4U55-26             | Support                        |      | 4  |
| 34  | DIN 71412 A M6      | Grease M6                      |      | 10 |
| 35  | DIN 71412 A M8x1    | Grease M8x1                    |      | 8  |
| 36  | DIN 985 M10         | NUT M10                        |      | 8  |
| 37  | DIN 985 M14         | NUT M14                        |      | 4  |
| 38  | DIN 985 M16         | NUT M16                        |      | 10 |
| 39  | DIN 985 M18         | NUT M18                        |      | 2  |
| 40  | DIN 985 M27         | NUT M27                        |      | 1  |
| 41  | DIN 985 M8          | NUT M8                         |      | 17 |
| 42  | EF100.00.019        | Support                        |      | 1  |
| 43  | GB 13871 FB 32x47x8 | Oil Seal 32x47x8               |      | 2  |
| 44  | GB 27 M14x100       | BOLT M14x100                   |      | 2  |
| 45  | GB 27 M16x100       | BOLT M16x100                   |      | 2  |
| 46  | GB 27 M16x130       | BOLT M16x130                   |      | 2  |
| 47  | GB 893.1 115        | Seeger 115                     |      | 2  |
| 48  | GB 894.1 75         | Seeger 75                      |      | 2  |
| 49  | GB 93 16            | Spring Washer 16               |      | 4  |
| 50  | GB 93 20            | Spring Washer 20               |      | 2  |

| Pos | Code              | Description       | NOTE | Q. |
|-----|-------------------|-------------------|------|----|
| 51  | GB 93-87 12       | Spring Washer 12  |      | 2  |
| 52  | GB 93-87 6        | Spring Washer 6   |      | 2  |
| 53  | GB/T 1096 10x8x32 | KEY 10x8x32       |      | 2  |
| 54  | GB/T 276 6005     | Bearing 6005      |      | 4  |
| 55  | GB/T 276 6015-2LS | Bearing 6015-2LS  |      | 2  |
| 56  | GB/T 5782 M16x120 | BOLT M16x120      |      | 4  |
| 57  | GB/T 5782 M18x100 | BOLT M18x100      |      | 1  |
| 58  | GB/T 5782 M18x110 | BOLT M18x110      |      | 1  |
| 59  | GB/T 5783 M12x25  | BOLT M12x25       |      | 2  |
| 60  | GB/T 5783 M12x30  | BOLT M12x30       |      | 8  |
| 61  | GB/T 5783 M16x40  | BOLT M16x40       |      | 4  |
| 62  | GB/T 5783 M6x20   | BOLT M6x20        |      | 2  |
| 63  | GB/T 5783 M8x16   | BOLT M8x16        |      | 4  |
| 64  | GB/T 5783 M8x20   | BOLT M8x20        |      | 4  |
| 65  | GB/T 6170 M12     | NUT M12           |      | 8  |
| 66  | GB/T 6170 M16     | NUT M16           |      | 4  |
| 67  | GB/T 6170 M20     | NUT M20           |      | 2  |
| 68  | GB/T 6170 M6      | NUT M6            |      | 2  |
| 69  | GB/T 70.1 M6x10   | HEXAG BOLT M6x10  |      | 2  |
| 70  | GB/T 70.3 M10x30  | HEXAG BOLT M10x30 |      | 8  |
| 71  | GB/T 70.3 M8x20   | HEXAG BOLT M8x20  |      | 4  |
| 72  | GB/T 70.3 M8x25   | HEXAG BOLT M8x25  |      | 9  |
| 73  | GB/T 97.1 10      | WASHER 10         |      | 8  |
| 74  | GB/T 97.1 16      | WASHER 16         |      | 22 |
| 75  | GB/T 97.1 18      | WASHER 18         |      | 2  |

Machine: PML

Assembly: PML\_parte1



| Pos | Code           | Description | NOTE | Q. |
|-----|----------------|-------------|------|----|
| 76  | GB/T 97.1 27   | WASHER 27   |      | 1  |
| 77  | GB/T 97.1 6    | WASHER 6    |      | 4  |
| 78  | GB/T 97.1 8    | WASHER 8    |      | 21 |
| 79  | MBH-6.02.102-1 |             |      | 4  |
| 80  | UCP207         | Bearing 207 |      | 2  |