

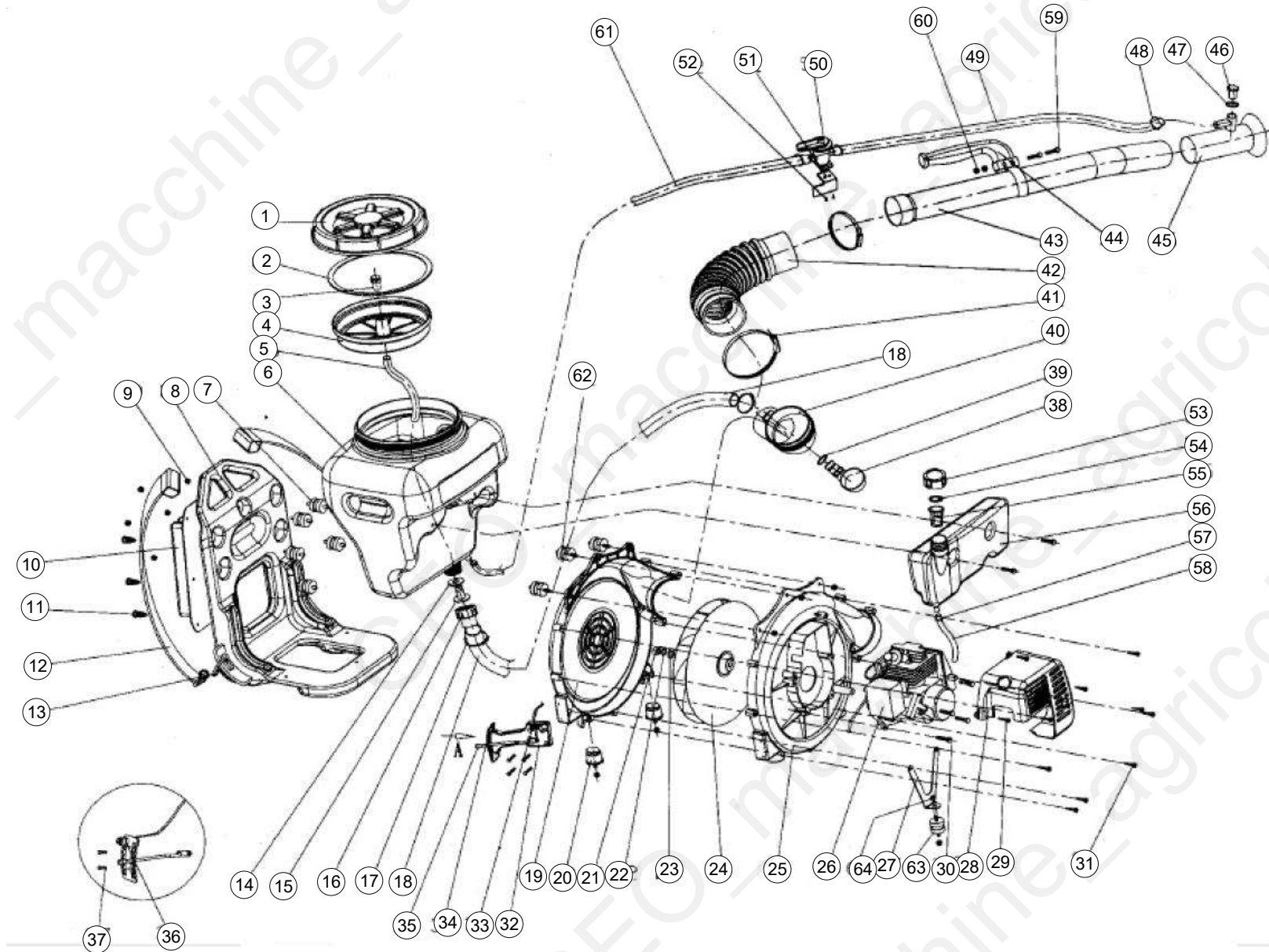
S21



GEO Italy S.R.L.

Table of Contents

Tavola	Page
S21blu_parte 1	3
S21_parte 1	7



Pos	Code	Description	NOTE	Q.
1	S21.100.00.01	LID		1
2	S21.100.00.02	SEALING WASHER		1
3	S21.100.00.03	CAP		1
4	S21.100.00.04	CLEANER		1
5	S21.100.00.05	INLET PIPE		1
6	S21.100.00.06	TANK		1
7	S21.100.00.07	RUBBER PILLAR		1
8	S21.100.00.08	BEARING		1
9	S21.100.00.09	NUT M6		11
10	S21.100.00.10	BACK MAT		1
11	S21.100.00.11	PLASTIC CLIP		1
12	S21.100.00.12	BELT		1
13	S21.100.00.13	LOOP		2
14	S21.100.00.14	AIR VALVE		2
15	S21.100.00.15	AIR VALVE		1
16	S21.100.00.16	CAP		1
17	S21.100.00.17	CLIP		2
18	S21.100.00.18	AIR INLET PIPE		1
19	S21.100.00.19	BACK COVER		1
20	S21.100.00.20	SUPPORT		2
21	S21.100.00.21	NUT M12		1
22	S21.100.00.22	SPRING WASHER		1
23	S21.100.00.23	FLAT GASKET		1
24	S21.100.00.24	IMPELLER		1
25	S21.100.00.25	VOLUTE CASE		0

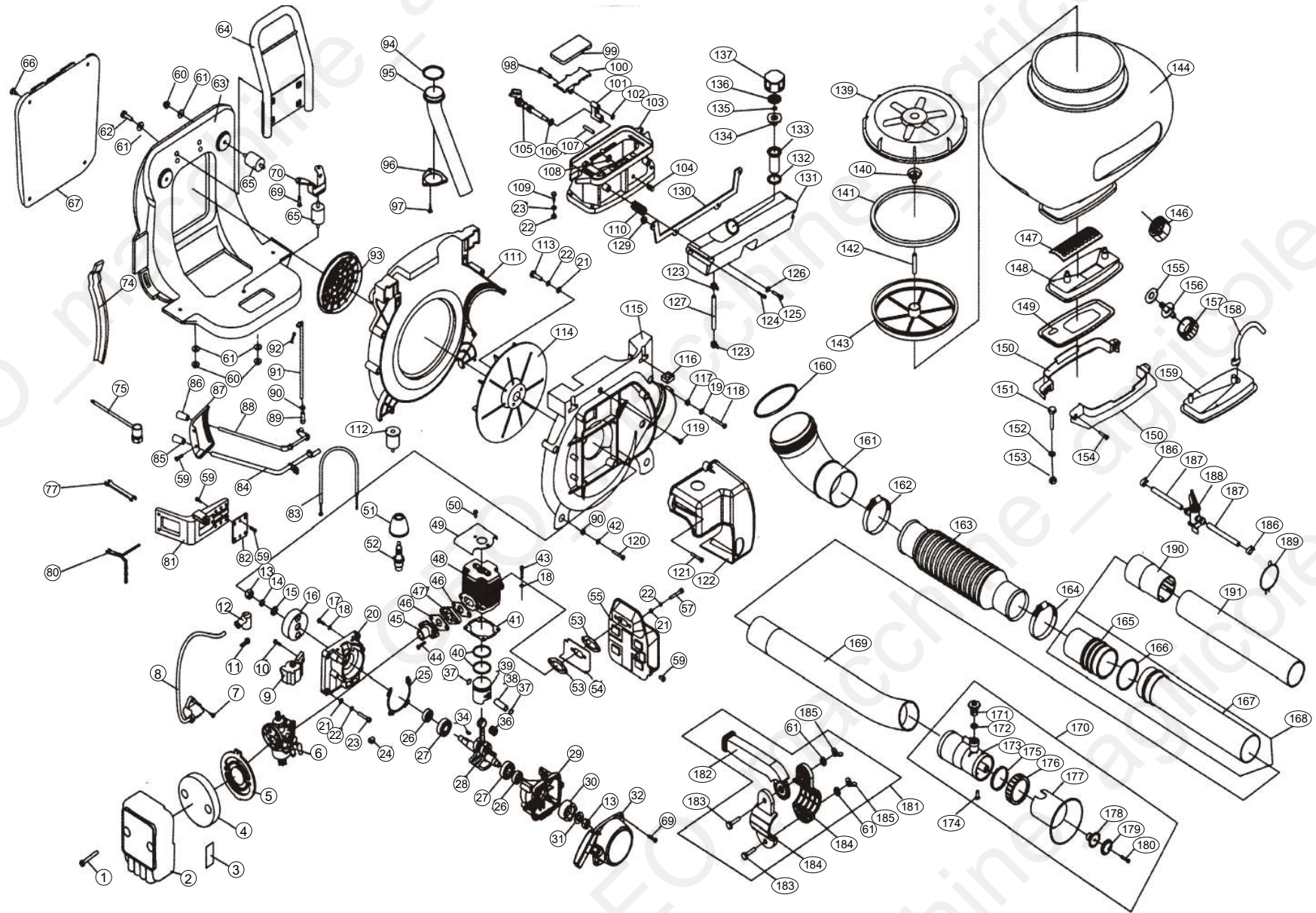
Pos	Code	Description	NOTE	Q.
26	S21.100.00.26	GASOLINE ENGINE		1
27	S21.100.00.27	SUPPORT		1
28	S21.100.00.28	COVER		1
29	S21.100.00.29	SCREW M5x16		3
30	S21.100.00.30	SCREW M6x30		4
31	S21.100.00.31	SCREW M6x30		10
32	S21.100.00.32	BEAM		1
33	S21.100.00.33	CABLE COMP		1
34	S21.100.00.34	REGULATOR VALVE		1
35	S21.100.00.35	HANDLE		1
36	S21.100.00.36	BUTTON COMP		1
37	S21.100.00.37	SCREW M5x12		2
38	S21.100.00.38	RUBBER PIPE		1
39	S21.100.00.39	O - RING		1
40	S21.100.00.40	ELBOW PIPE		1
41	S21.100.00.41	BIG CLIP		2
42	S21.100.00.42	HOSE		1
43	S21.100.00.43	LONG PIPE		1
44	S21.100.00.44	HANDLE		1
45	S21.100.00.45	NOZZLE ASSY		1
46	S21.100.00.46	REGULATOR VALVE		1
47	S21.100.00.47	O - RING		1
48	S21.100.00.48	SMALL CLIP		1
49	S21.100.00.49	PLASTIC PIPE		1
50	S21.100.00.50	COCK ASSEM		1

Machine: S21

Assembly: S21blu_parte 1



Pos	Code	Description	NOTE	Q.
51	S21.100.00.51	SUPPORT		1
52	S21.100.00.52	SCREW M4x16		1
53	S21.100.00.53	TANK LID		1
54	S21.100.00.54	GASKET		1
55	S21.100.00.55	FILTER NET		1
56	S21.100.00.56	FUELTANK		1
57	S21.100.00.57	CLIP		1
58	S21.100.00.58	FEED TANK		1
59	S21.100.00.59	SCREW M5x20		2
60	S21.100.00.60	NET M5		2
61	S21.100.00.61	PLASTIC PIPE		1
62	S21.100.00.62	RUBBER PILLAR		1
63	S21.100.00.63	RUNNER PILLAR		1
64	S21.100.00.64	SCREW M6X40		1



Pos	Code	Description	NOTE	Q.
1	GB/T9074.4.M4x25	Screw assem		2
2	1E40F-3A.T2-1	Outside cover		1
3	1E40F-3A.3-5	Sign		1
4	1E36F.16-2	Filter		1
5	1E40F-3A.T2-2	Black plate		1
6	1E40FP-3Z.1	Carburetor		1
7	GB/T845.ST4.2x16	Screw		2
8	1E40FP-3Z.5	Widing		1
9	1E40FP-3Z.5	Widing		1
10	GB/T9074.4.M4x20	Screw assem		2
11	1E40FP-3Z-22	Spring		1
12	1E40FP-3Z-21	Cap		1
13	1E40FP-3Z-16	M10x1 / nut		2
14	GB/T859.10	Washer		1
15	GB/T848.10	Washer		1
16	1E40FP-3Z.5	Widing		1
17	GB/T70.1.M5x30	Screw		4
18	GB/T93.5	Washer		8
19	GB/T97.1.5	Washer		2
20	1E4FP-3Z-14	Front crankcase		1
21	GB/T97.1.6	Plain washer 6		9
22	GB/T93.6	Washer		8
23	GB/T70.1.M6x30	Screw		4
24	1E40FP-3Z-20	Fixity		1
25	1E40FP-3Z-13	Sealing washer		1

Pos	Code	Description	NOTE	Q.
26	1E40FP-3Z-11	Seal		2
27	GB/T276.6202/P6	Bearing		2
28	1E40FP-3Z.3A.1	Crankshaft		1
29	1E40FP-3Z-12	Back crankcase		1
30	1E40FP-3Z-19	Ratchet		1
31	GB/T97.1.10	Washer		1
32	1E40FP-3Z.4	Starter		1
34	1E40FP-3Z.3-1	Key		1
36	1E40FP-3Z.3A.2	Bearing		1
37	1E40FP-3Z.3-4	Ring		2
38	1E40FP-3Z.3-3	Piston pin		1
39	1E40FP-3Z.3-2	Piston		1
40	1E40FP-3Z.3-5	Piston ring		2
41	1E40FP-3Z-6	Sealing washer		1
42	GB/T848.5	Washer		9
43	GB/T70.1.M5x20	Screw		4
44	GB/T9074.4.M5x25	Screw assem		2
45	1E40FP-3Z-2	Flange		1
46	1E40FP-3Z-4	Gasket		2
47	1E40FP-3Z-3	Insulator		1
48	1E40FP-3Z-7	Cylinder		1
49	1E40FP-3Z-8	Cover		1
50	GB/T9074.4.M5x10	Screw assem		2
51	1E40FP-3Z-9	Cap		1
52	4106J	Spark Plug		1

Pos	Code	Description	NOTE	Q.
53	1E40FP-3Z-18	Gasket		2
54	1E40FP-3Z-5	Gasket		1
55	1E40FP-3Z.2	Muffle		1
57	GB/T70.1.M6x35-10.9	Screw		2
59	GB/T9074.4.M5x12	Screw assem		9
60	GB/T6177.1.M6	Nut		5
61	GB/T96.6	Washer		11
62	GB/T29.2.M6x16	Screw		4
63	EB-415.16-1	Frame		1
64	3WF-3.9	Belt frame		1
65	3WF-2.6A.6	Rubber pillar		3
66	3WF-2.6B-2	Nylon clip		7
67	3WF-W.11	Back mat		1
69	GB/T9074.4.M5x16	Screw assem		6
70	3WF-3A.3	Support		1
74	3WF-28.7	Belt component		2
75	3WF-3.26.3	Spanner		1
77	QGZ40-35.12-5	Spanner		1
80	3WF-3.25.4	Insurance chain		1
81	3WF-3.2	Support frame		1
82	3WF-3-16	Plate		1
83	3WF-3.25.1	Throttle rope		1
84	3WF-3.4	Throttle rod		1
85	3WF-3-5(red)	Handle		1
86	3WF-3-5(black)	Handle		1

Machine: S21

Assembly: S21_parte 1



Pos	Code	Description	NOTE	Q.
87	3WF-3-4	Graduator		1
88	3WF-3.3	Dust rod		1
89	3WF-3-15	Connector		1
90	GB/T6170.M5	Nut M5		1
91	3WF-3-12	Pulling rod		1
92	3WF-2.6.6-1	Pipe		1
93	3WF-3-14	Net cover		1
94	3WF-3-9	Washer		1
95	3WF-2.6.6-1	Pipe		1
96	3WF-3-8	Lid		1
97	GB/T845.ST4.2x13	Screw		3
98	3WF-3.6-3	Pin		1
99	3WF-3.6-2	Rubber plate		1
100	3WF-3.6-1	Slide		1
101	3WF-3.6-4	Support arm		1
102	GB/T896.5	Ring		1
103	3WF-3.1	Shutter		1
104	3WF-3-21	Plug		1
105	3WF-3-22	Rocker shaft		1
106	GB1235.14x2.4	Sealing washer		1
107	3WF-2.6.6-3	Pin		1
108	GB/T896.9	Ring		1
109	GB/T9074.13.M6x40	Bolt		4
110	3WF-3-23	Fuel tank support		2
111	3WF-3.13	Volute case		1

Pos	Code	Description	NOTE	Q.
112	3WF-3.5	Rubber pillar		2
113	GB/T5783.M6x35	Bolt		2
114	3WF-3-13	Impeller		1
115	3WF-3.14	Volute case		1
116	3WF-3-2	Nut		4
117	GB/T889.1.M5	Nut		2
118	3WF-3-10	Long screw		2
119	GB/T845.ST4.8x25	Screw		1
120	GB/T818.M5x30	Screw		9
121	GB/T9074.4.M5x25	Screw assem		4
122	3WF-3-19	Protection		1
123	3WF-3-3	Clip		2
124	GB/T818.M5x16	Screw		2
125	GB/T818.M5x55	Screw		2
126	GB/T96.5	Washer		4
127	GB/T13527.1.8x2x340	Tube		1
129	GB/T6177.1.M5	Nut		2
130	3WF-2.6-3	Support frame		1
131	3WF-2.6.2-1	Fuel tank		1
132	BG305.10-2	Sealing washer		1
133	BG305.10.1	Filter		1
134	BG305.10.2-2	Rubber lid		1
135	BG-328.7-4	Filter net		1
136	BG305.10.2-3	Plastic lid		1
137	BG305.10.2-1	Fuel tank lid		1

Pos	Code	Description	NOTE	Q.
139	3WF-3.17.1-2	Lid		1
140	3WF-3.17.1-1	Air valve		1
141	3WF-3.17.1-3	Sealing washer		1
142	GB/T13527.1.8x3x500	Tube		1
143	3WF-3.20.1	Filter		1
144	3WF-3.17-1A	Chemical tank		1
146	3WF-3.17.2-1	Lid		1
147	3WF-2.6A.1-2	Plate		1
148	3WF-3.7-2	Dusting plate		1
149	3WF-3.7-1	Sealing washer		1
150	3WF-3-1	Clamp		2
152	GB/T96.8	Washer		2
153	GB/T.5782-2000-M8x40	Bolt M8X40		1
153	GB/T6170.M8	Nut		2
154	GB/T9074.4.M6x25	Screw assem		2
155	3WF-3.17.2-2	Scaling washer		1
156	3WF-3.20.2-2	Link pipe		1
157	3WF-3.20.2-1	Connector lid		1
158	3WF-3.20-1	Tube		1
159	3WF-3.20-2	Misting plate		1
160	GB1235.100X3.1	Sealing washer		1
161	3WF-3-6	Bend pipe		1
162	Ø78-Ø101	Clip		1
163	3WF-3.19-4	Hose		1
164	Ø59-Ø82	Clip		1

Pos	Code	Description	NOTE	Q.
165	3WF-3.19.2-1	Connector		1
166	GB1235.65x3.1	Sealing washer		1
167	3WF-3.19.2-2	Pipe		1
168	3WF-3.19.2	Connector assem		1
169	3WF-3.19.3	Long bend pipe		1
170	3WF-3.19.3	Nozzle assem		1
171	3WF-3.19.3-3	Valve		1
172	GB1235.16x2.4	Sealing washer		1
173	3WF-3.19.3-4	Shot pipe		1
174	GB/T818.M5x12	Screw		1
175	3WF-3.19.3-1	Sealing washer		1
176	3WF-3.19.3-2	Lid		1
177	3WF-3.19.3-5	Nozzle		1
178	3WF-3.19.3.1-2	Nozzle piece		1
179	3WF-3.19.3.1-1	Nozzle piece		1
180	GB/T846.ST2.9X16	Screw		1
181	3WF-3.19.6	Handle assem		1
182	3WF-3.19.6-1	Handle		1
183	GB/T5781.M6x30	Bolt		2
184	3WF-3.19.6-2	Clamp		2
185	GB/T62	Nut		2
186	3WF-3.19-1	Clip		4
187	GB/T13527.1.10x830	Tube		2
188	3WF-3.19.1	Cock assem		1
189	3WF-3.19-2	Clamp		1

Machine: S21

Assembly: S21_parte 1



Pos	Code	Description	NOTE	Q.
190	3WF-3.21-1	Guide pipe		1
191	3WF-3.21-2	Connect pipe		1