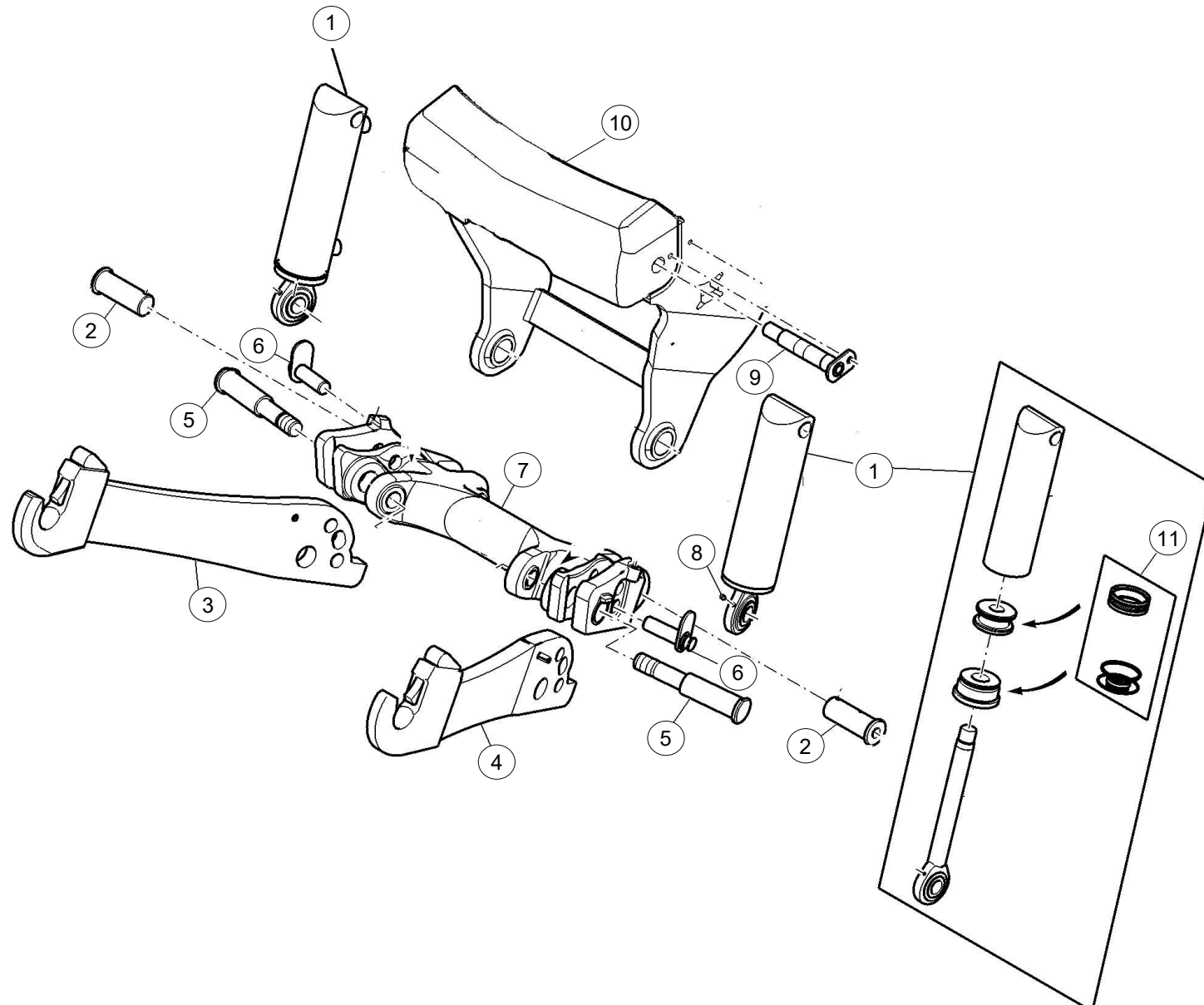


Front-Link



Table of Contents

Tavola	Page
Front-Link	3



Machine: Front-Link

Assembly: Front-Link



Pos	Code	Description	NOTE	Q.
1	FT500-01	Front link Cylinder		2
2	FT500-02	Pin		2
3	FT500-03	Left Arm		1
4	FT500-04	Right Arm		1
5	FT500-05	Pin		2
6	FT500-06	Pin		2
7	FT500-07	Arm Support		1
8	FT500-08	Grease Joint		2
9	FT500-09	Pin		2
10	FT500-10	Main Frame		1
11	FT500-11	Oil Seal Kit		1