

Macchina

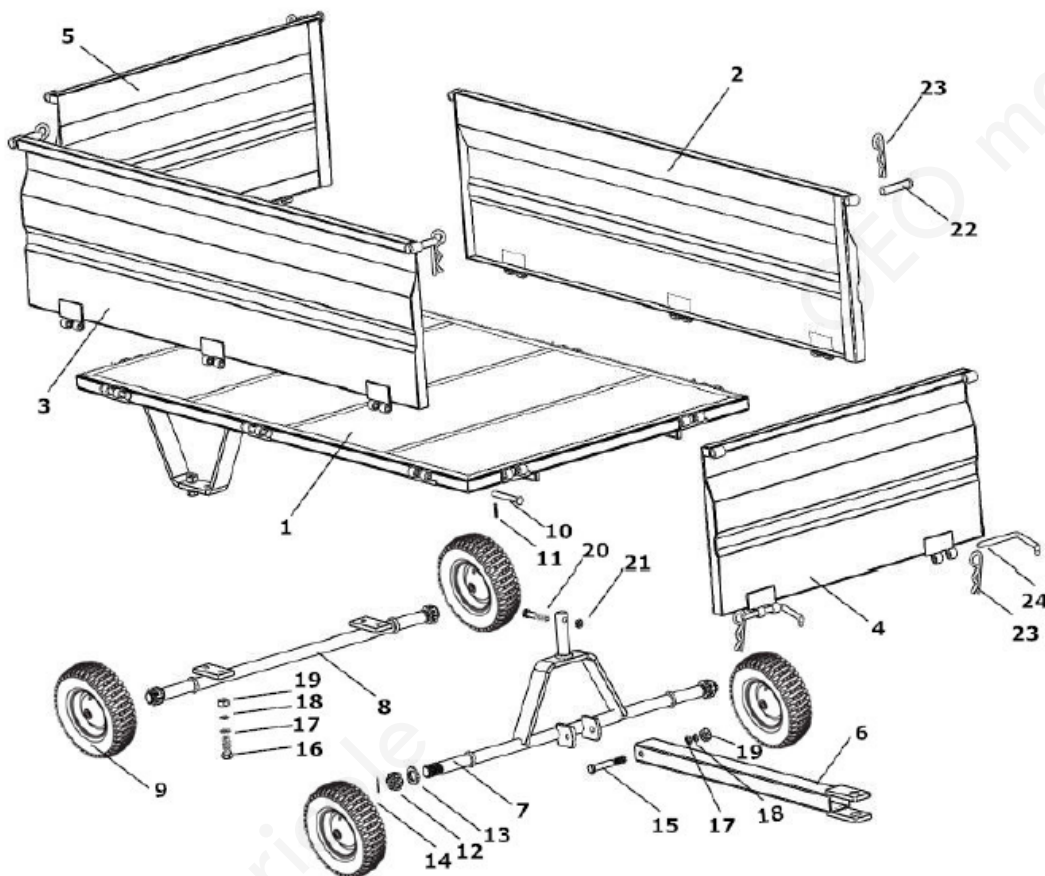
UC4W



Sezione

1

UC4W_part1



SerNo	PartNo	Description	Quantity	Price
	1	Bottom Beam	1	
	2	Side Board Left	1	
	3	Side Board Right	1	
	4	Front Panels	1	
	5	Rear Panels	1	
	6	Tongue	1	
	7	Wheel Axle Front	1	
	8	Wheel Axle	1	
	9	Wheel 16x7.5-8	4	

10	Pin 10x100	8
11	Split Pin	8
12	Nut m24	4
13	Flat Washer m24	4
14	Split Pin	4
15	Pin M12x100	1
16	Bolt M12x40	4
17	Flat Washer M12	5
18	Lock Washer M12	5
19	Nut M12	5
20	Bolt M10x70	1
21	Nut M10	1
22	pin 15x75	4
23	Snap R Pins	6
24	Pin 10	2