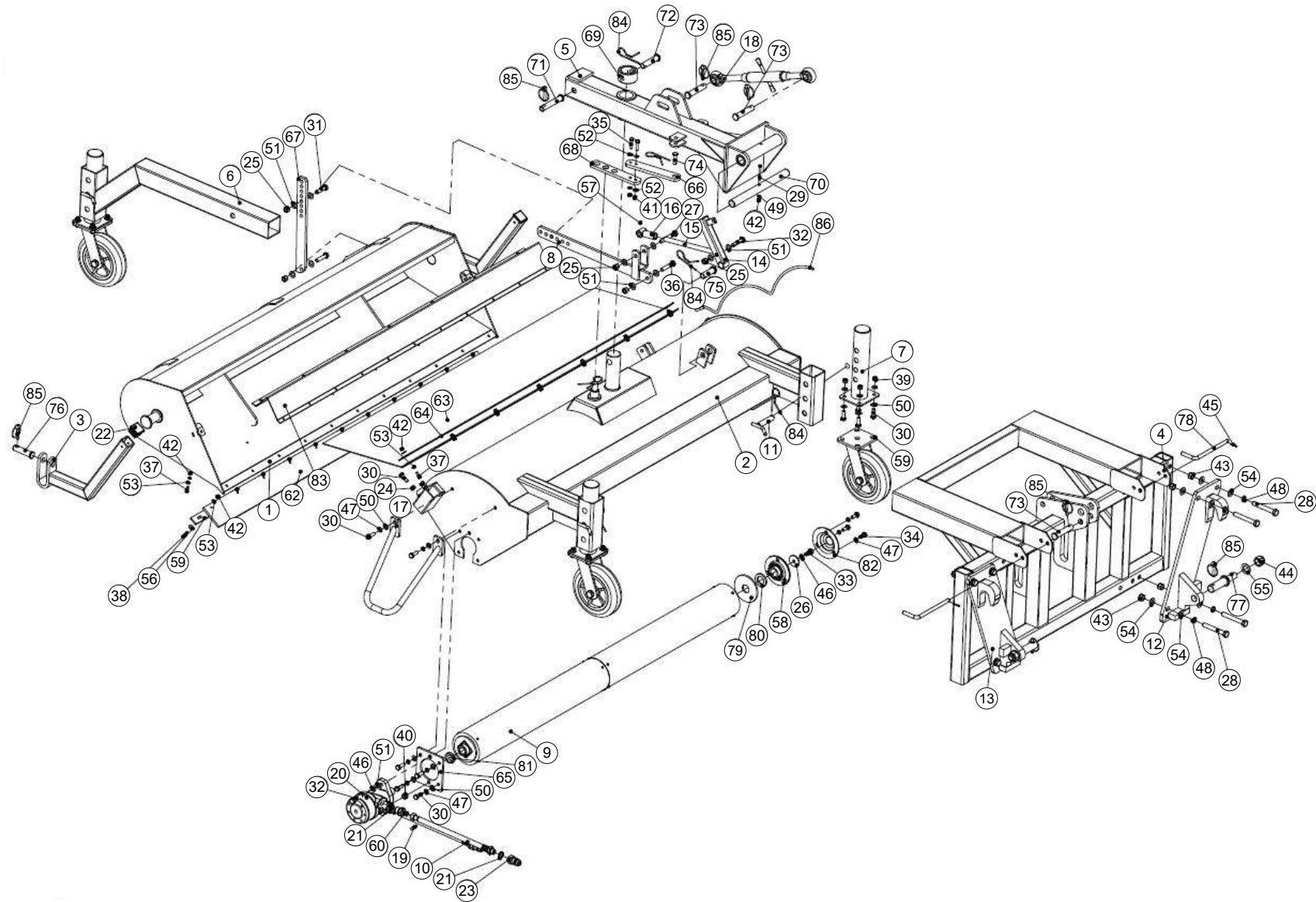


SD



Table of Contents

Tavola	Page
SD	3



Machine: SD

Assembly: SD



Pos	Code	Description	NOTE	Q.
1	SD157.011B	Bucket body weldment		1
2	SD157.012B	Hood weldment		1
3	SD157.014	Tipper connecting frame weldment		2
4	SD157.015	Suspension frame weldment		1
5	SD157.016	Main suspension weldment		1
6	SD157.017B	Tail wheel frame weldment		1
7	SD157.018B	Tail wheel support weldment		3
8	SD157.019	Tipper adjusting plate weldment		1
9	SD157.022	Sweeping roller		1
10	SD157.024	Oil inlet pipe assembly		2
11	SD157.026	Pin shaft weldment		3
12	SD157.027	TR quick change left		1
13	SD157.028	TR quick change right		1
14	SD157.030	Handle plate weldment		1
15	SD157.032	Connecting screw weldment		1
16	SD157.033	Connecting sleeve weldment		1
17	SD157.034	Welding parts for protecting pipe of hydraulic motor		1
18	STB145.037	Lever as-adjustment		1
19	GB/T1096-2003-A8X7X32	Key 8X7X32		1
20	BMR.160.2ADNH	SD line swing hydraulic motor		1
21	BS/A21.50(G1/2)	Combined sealing gaskets(Automatic core)1/2		4
22	EF175-121	Square pipe plug		2
23	G1\2	Quick couplers (male) NPT1 / 2		2
24	GB/T41-2000-M10	Hexagon nut grade C M10		4
25	GB/T41-2000-m12	Hexagon nut M12		5

Machine: SD

Assembly: SD



Pos	Code	Description	NOTE	Q.
26	GB/T5287-2002	Large washer 12×4		1
27	GB/T5782-2000-M12x80	Half thread hexagon bolt M12*80		1
28	GB/T5782-2000-M14x100	Half thread hexagon head bolt M14*100		8
29	GB/T5782-2000-M6x55	Half thread hexagon head bolt M6*55		1
30	GB/T5783-2000-M10x30	Hexagon headed bolt M10*30		22
31	GB/T5783-2000-M12x45	Bolt M12x45		2
32	GB/T5783-2000-M12x50	Hexagon headed bolt M12*50		3
33	GB/T5783-2000-M12x25	Bolt M12x25		1
34	GB/T5783-2000-M10x25	Bolt M10x25		3
35	GB/T5783-2000-M8x35	Bolt M8*35		2
36	GB/T5783-2000-M12x60	Hexagon headed bolt M12*60		1
37	GB/T5783-2000-M6x20	Bolt M6x20		14
38	GB/T5783-2000-M6x30	Hexagon headed bolt M6×30		11
39	GB/T889.1-2000-M10	Locking nut M10		12
40	GB/T889.1-2000-M12	Locknut M12		1
41	GB/T889.1-2000-M8	Lock Nut M8		2
42	GB/T889.1-2000-M6	Locknut M6		26
43	GB/T889.1-2000-M14	Lock Nut M14		8
44	GB/T889.1-2000-M22	Locknut M22		2
45	GB/T91-2000	Cotter pin		2
46	GB/T93-1987-12	Spring washer 12		3
47	GB/T93-1987-10	Spring washer 10		9
48	GB/T93-1987-14	Spring washer 14		9
49	GB/T93-1987-6	Spring washer 6		1
50	GB/T95-2002-10x2	Flat washer 10×2		30

Machine: SD

Assembly: SD



Pos	Code	Description	NOTE	Q.
51	GB/T95-2002-12x2.5	Flat washer 12x2.5		13
52	GB/T95-2002-8x1.6	Flat washer 8x1.6		4
53	GB/T95-2002-6x1.6	Flat washer 6x1.6		32
54	GB/T95-2002-14x2.5	Flat washer 14x2.5		16
55	GB/T95-2002-22x3	Flat washer 22x3		2
56	GB/T96.2-2002	Plain washer 12		18
57	GB1152.89	oil nozzle M6		1
58	SBPF-206	Bearing seat		1
59	SD157.021	PU Universal casters		3
60	SD157.023	Adapter		1
62	SD157.101	Shock absorbing pad		1
63	SD157.102	Ash baffle		1
64	SD157.103	Fixing plate of ash baffle		1
65	SD157.104	Fixing plate		1
66	SD157.105	Swing connecting plate 1		1
67	SD157.106	Tipping bucket adjusting plate		1
68	SD157.107	Swing connecting plate 2		1
69	SD157.108	Lock sleeve of suspension frame		1
70	SD157.109	Connecting shaft		1
71	SD157.111	Pin shaft 1		1
72	SD157.112	Pin shaft 2		1
73	SD157.113	Pin shaft 3		3
74	SD157.114	Pin shaft 4		1
75	SD157.115	Pin shaft 5		1
76	SD157.116	Pin shaft 6		2

Machine: SD

Assembly: SD



Pos	Code	Description	NOTE	Q.
77	SD157.117	Lower suspension pin		2
78	SD157.118	Forklift tube locking pin		2
79	SD157.119A	Retaining ring of sweeping roller shaft		1
80	SD157.119B	Retaining ring of sweeping roller shaft		1
81	SD157.120	Retaining ring of sweeping roller shaft		1
82	SD157.123	Dust cover at shaft end		1
83	SD157.125	baffle		1
84	SD157.1001	R pin color zinc ?4		7
85	SD157.1002	Lock pin color zinc ?11		8
86	SD157.1003	Pull rope ?8(red)		1