

Macchina

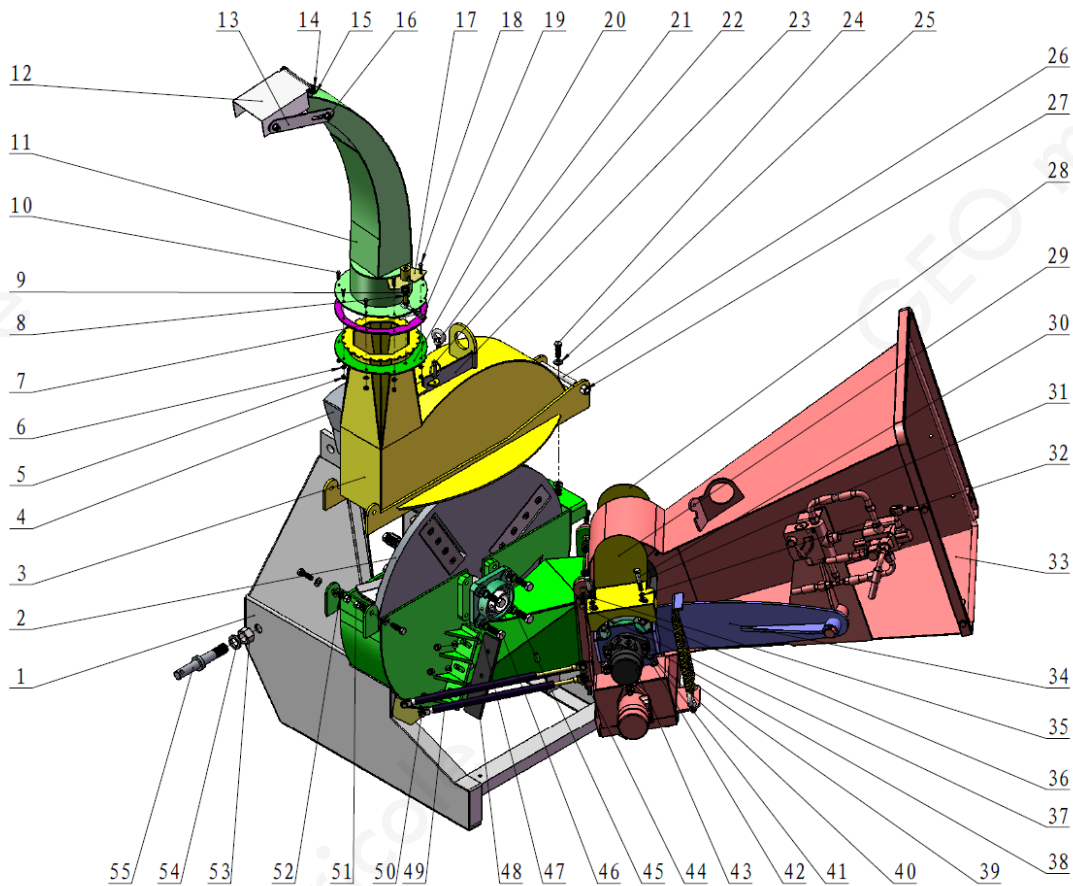
ECO21



Sezione

1

ECO21_part1



SerNo	PartNo	Description	Quantity
-------	--------	-------------	----------

1	BX62H-Wo1	Engine Body	1
2	BX62-Ao1	Chipper Disk Assembling	1
3	BX62-Wo2	Upper Housing	1
4		BEARING CAGE	1
5	GB/T 889.1-2000	LOCKNUT 6	9
6	GB/T 95-2000	WASHER 6	9
7		Turnplate Handle	1
8		Turnplate Pin	1
9		Platen Spring	1

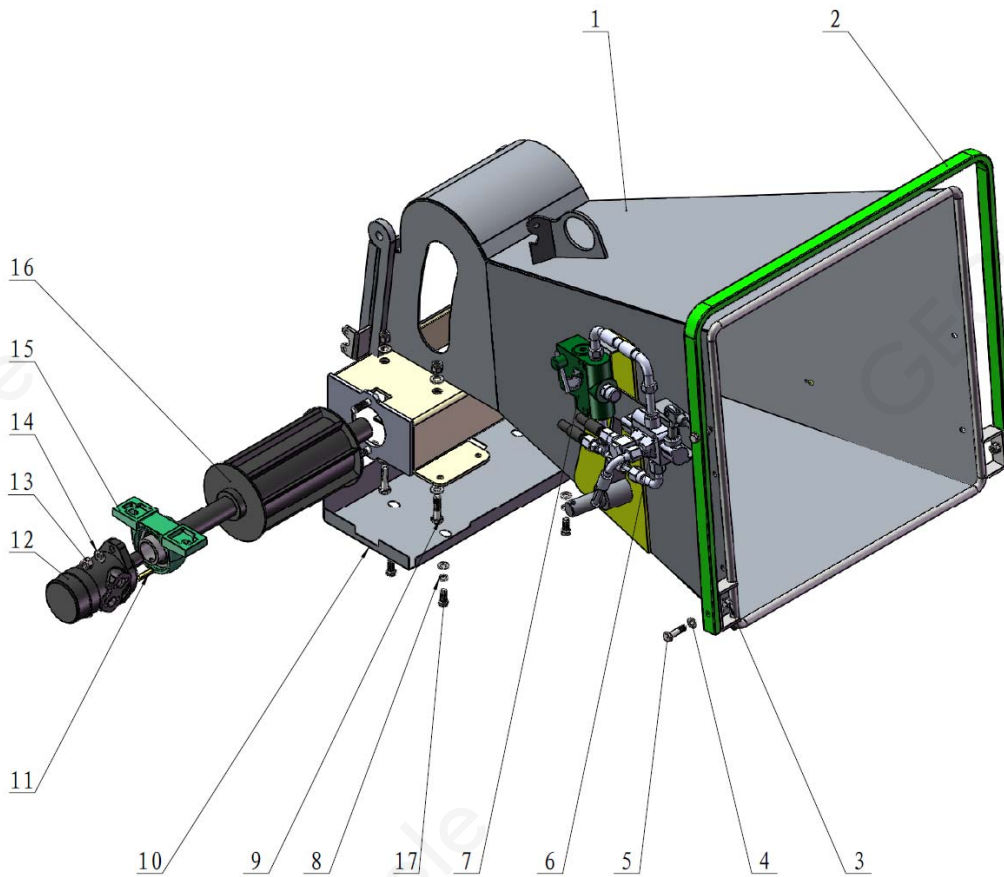
10	GB/T5781-2000	BOLT M6x20	7
11	BX62-W04	DISCHARGE TUBE	1
12		Protective Cover Weldment	1
13	FRD-TY19	Support Pole	1
14	GB/T97.1-2002	WASHER 8	10
15	GB/T 5780-2000	BOLT M8x140	1
16	GB/T 889.1-2000	LOCKNUT 10	11
17		Platen	1
18	GB/T5781-2000	BOLT M6x25	2
19		Insulate Plate	1
20		Lower Turnplate	1
21	GB825-88	Ring bolt M10x20	6
22		Locking Pin 8x40	3
23		Clevis	1
24	GB/T 5782-2000	BOLT M12x40	3
25	GB/T 95-2000	WASHER 12	10
26	GB/T5780-2000	Bolt M16x180	1
27	GB/T 889.1-2000	LOCKNUT 16	1
28		Left Bearing Cover	1
29		Right Bearing Cover	1
30		BOLT M10x60	2
31	F-TH06	ACTIVE FEEDING ROLLER(H)	1
32	GB/T 93-1987	SPRING WASHER 10	4
33		Infeed Chute	1
34		Swing Arm	1
35	GB/T97.1-2002	WASHER 10	19
36	GB/T 93-1987	SPRING WASHER 16	16
37	GB/T5782-2000	BOLT M10x50	2
38		LOCKNUT 12	2
39	F-TY18	TENSION SPRING	4
40		BOLT M12x50	2
41		BOLT M16x55	8
42	GB/T 41-2000	NUT 16	8
43	F-TY-A02.P01	Hydraulic motor	1
44	GB/T 6184-2000	LOCKNUT 8	5
45		BEARING F210-CHANGE	4
46		BOLT M16x40	8
47	GB/T 95-2000	WASHER 16	21
48		ANVIL	1

49		Cylinder	2
50	GB/T 5781-2000	BOLT M8×30	4
51	GB/T 41-2000	NUT 12	3
52	GB/T 93-1987	SPRING WASHER 12	3
53	GB/T 41-2000	NUT 27	2
54	GB/T 93-1987	SPRING WASHER 27	2
55		Hanger Pin	2

Sezione

2

ECO21_part2



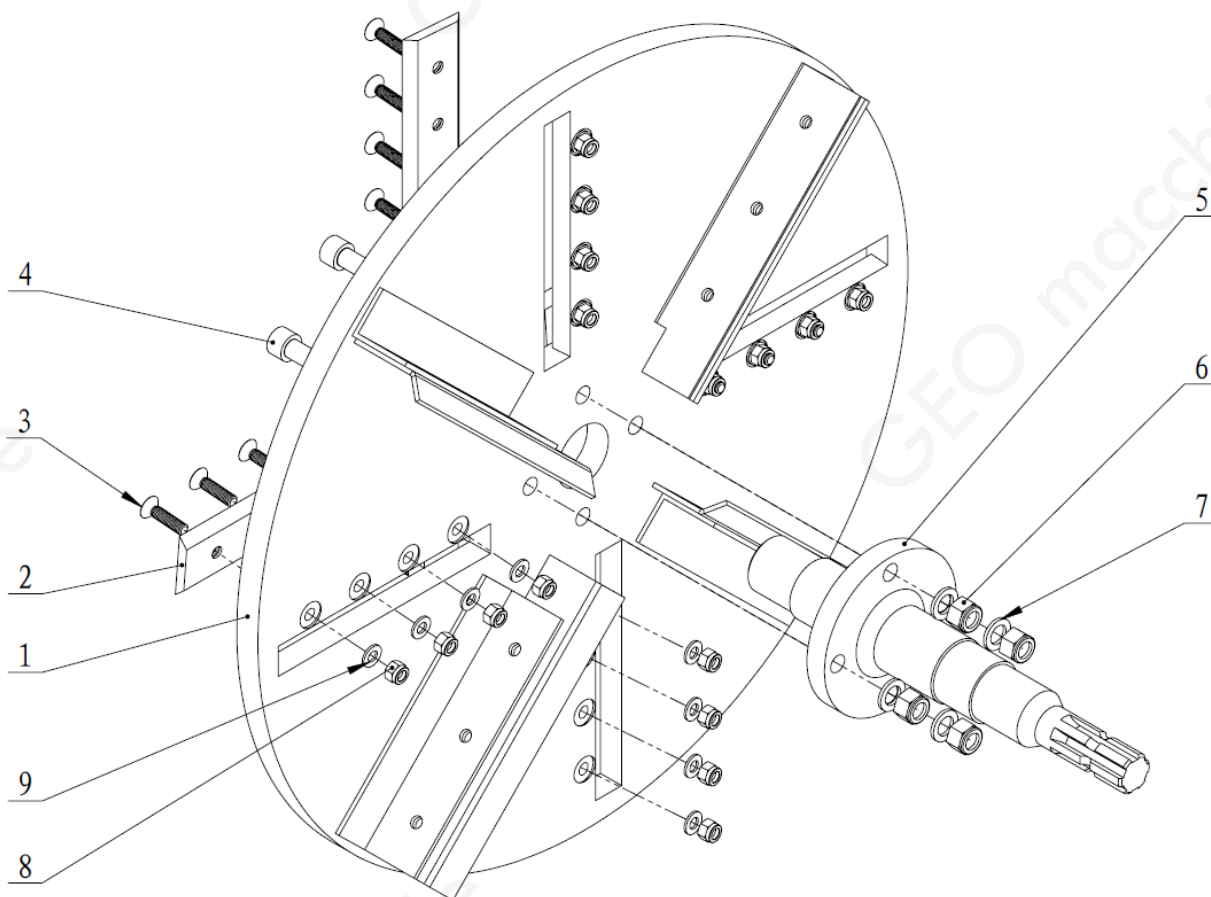
SerNo	PartNo	Description	Quantity
1		Infeed Chute Weldment	1
2		Reversing Lever	1
3	GB/T 889.1-2000	LOCKNUT 10	3
4	GB/T97.1-2002	WASHER 10	10
5		BOLT M10×40	3
6	F-TH/DH-U01	Reversing Valve Unit for BX	1
7		Permanents Flow Valves	1
8	GB/T 93-1987	SPRING WASHER 10	4
9		BOLT M12×50	6
10		Roller Cover	1

11		KEYS 8x40	1
12	F-TY-A02.P01	Hydraulic motor	1
13		LOCKNUT 12	6
14	GB/T 95-2000	WASHER 12	12
15		Bearings P208	2
16	F-TH06	FIXED FEEDING ROLLER	1

Sezione

3

ECO21_part3



SerNo	PartNo	Description	Quantity
-------	--------	-------------	----------

1	BX42-A01.W01	Chipper Disk Weldment	1
2		BLADE 9	4
3	GB/T68-2000	SCREW M10x40	16
4	GB/T 71-2000	Screws socket head M16x50	4
5		POWER-INPUT-SHAFT	1
6	GB/T 889.1-2000	LOCKNUT 16	4
7	GB/T 95-2000	WASHER 16	4
8	GB/T 889.1-2000	LOCKNUT 10	16
9	GB/T97.1-2002	WASHER10	16