

Macchina

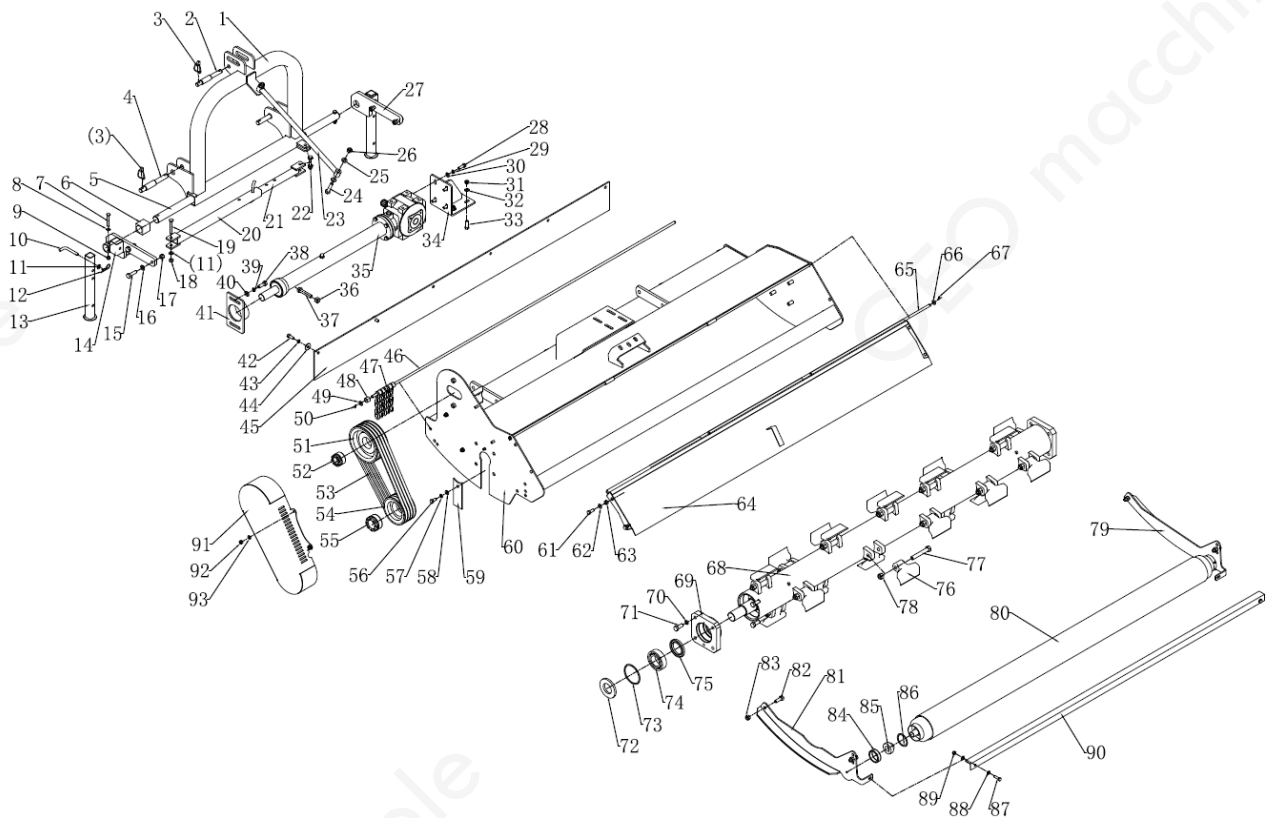
GK/GKK



Sezione

1

GK-GKK_part1



SerNo	PartNo	Description	Quantity
1	CSM220.019	Hanging weldment	1
2	BH5.40.101	Upper Hanging Pin	1
3	LP12	Lock Pin 12	3
4	D220.105	Lower Hanging Pin	2
5	CSM220.105	Guide Rail	1
6	1GNH150.114	Guide Rail Sear	2
7	GB5782-M10x70	Bolt M10x70	2
8	GB97.1-10	Washer	2
9	GB889.1-M10	Lock Nut M10	2

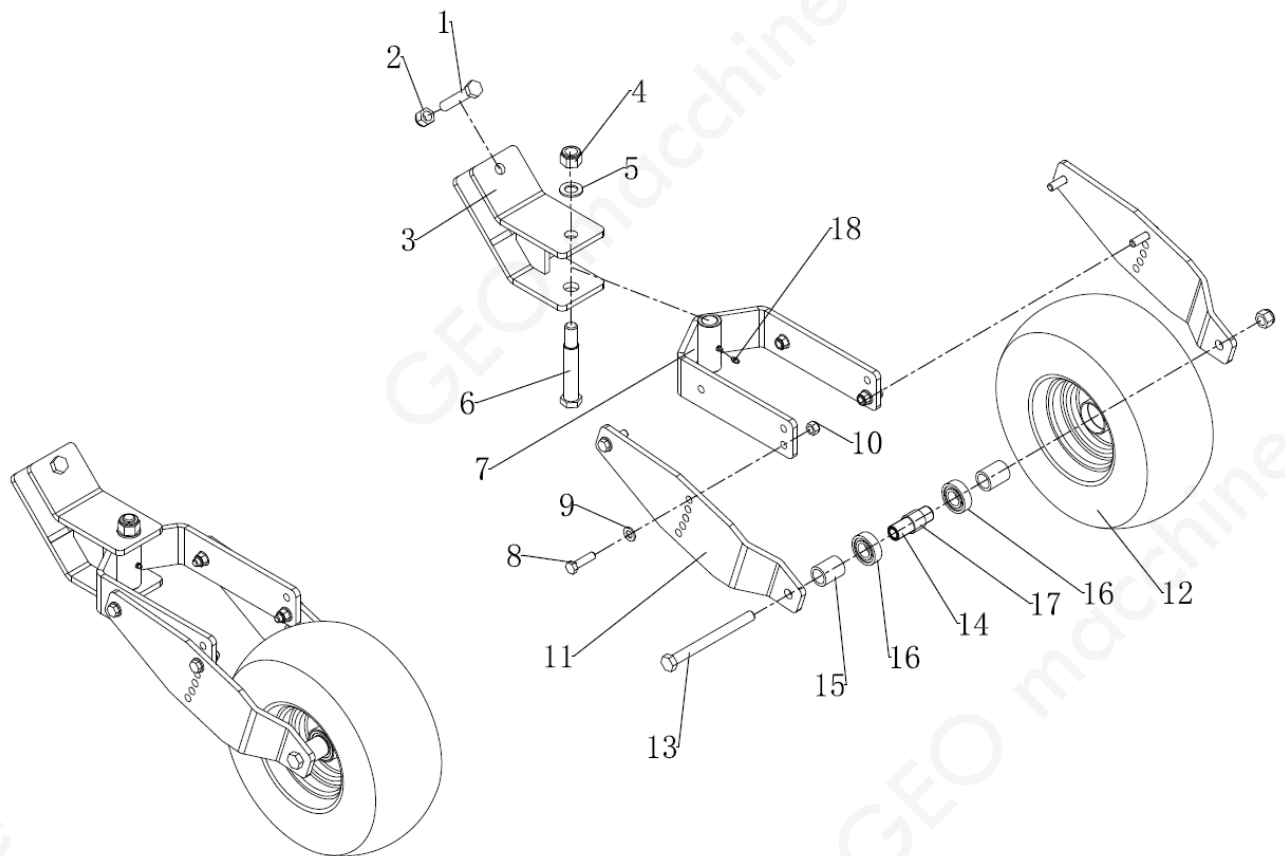
10	1G135.00.107	Pin for brace weldment	3
11	GB97.1-12	Washer 12	5
12	R PIN 3.2	R Pin 3.2	3
13	CSM220.016	Brace weldment	2
14	CSM220.018	Left Connection Plate	1
15	GB5783-M14x50	Bolt M14x50	4
16	GB97.1-14	Washer 14	4
17	GB889.1-M14	Lock Nut M14	4
18	GB889.1-M12	Lock Nut M12	2
19	GB5782-M12x80	Bolt M12x80	1
20	CSM220.022	Outer Adjusting Bar Weldment (GK)	1
21	CSM220.021	Inner Adjusting Bar Weldment (GK)	1
22	GB5782-M12x70	Bolt M12x70	1
23	CSM220.026	Bar	1
24	GB5782-M14x70	Bolt M14x70	2
25	GB97.1-14	Washer 14	2
26	GB889.1-M14	washer 14	4
27	CSM220.017	Right Connection Plate	1
28	GB5783-M12x35	Bolt M12x35	4
29	GB93-12	Spring Washer 12	4
30	GB97.1-12	Washer 12	4
31	GB889.1-M12	Lock Nut M12	4
32	GB97.1-12	Washer M12	4
33	GB5783-M12x35	Bolt M12x35	4
34	CSM220.023	Gearbox Seat Weldment	1
35	CSM220.004	Gearbox Assy.	1
36	GB6170-M16	Nut M16	1
37	GB5783-M16x80	Bolt M16x80	1
38	GB5783-M14x40	Bolt M14x40	2
39	GB93-14	Spring Washer 14	2
40	GB97.1-14	Washer 14	2
41	D220.018	Adjusting Plate Weldment	1
42	GB5783-M12x30	Bolt M12x30	6
43	GB93-12	Spring Washer 12	6
44	GB96-12	Washer 12	6
45	CSM220.108	Front Protection Rubber Plate	1
46	CSM220.106	Chain Rail	1
47	CSM220.015	Chain	88
48	CSM220.102	Sleeve	88

49	GB97.1-12	Washer 12	2
50	GB91-3.2x20	Splitpin 3.2x20	2
51	FLP180.111	Big Pulley	1
52	REACH 04-4065	Swellable Sleeve 4065	1
53	GB11544-SPB1296	V Belt SPB1296	4
54	FLP180.112	Small Pulley	1
55	REACH 04-5080	Swellable Sleeve 5080	1
56	GB5783-M12x25	Bolt M12x25	1
57	GB93-12	Spring Washer 12	1
58	GB97.1-12	Washer 12	1
59	D220.101	Side Plate	1
60	CSM220.011	Cover Weldment	1
61	GB5783-M12x35	Bolt M12x35	4
62	GB97.1-12	Washer 12	4
63	GB889.1-M12	Lock Nut M12	4
64,1	CSM160.020	Rear Protection Weldment 160	1
64,2	CSM180.020	Rear Protection Weldment 180	1
64,3	CSM200.020	Rear Protection Weldment 200	1
64,4	CSM210.020	Rear Protection Weldment 210	1
65	CSM220.104	Shaft for Rear Protection Weldment	1
66	GB97.1-10	Washer 10	2
67	GB91-3.2x20	Splitpin 3.2x20	2
68	CSM160.024	Blade Axle 160	1
68,2	CSM180.024	Blade Axle 180	1
68,3	CSM200.024	Blade Axle 200	1
68,4	CSM210.024	Blade Axle 210	1
69	CSM220.107	Bearing Seat	2
70	GB5783-M16x40	Bolt M16x40	8
71	GB93-16	Spring Washer 16	8
72	GB13871	Oil Seal 60x110x10	2
73	GB893.1-110	Circlip 110	2
74	GB281-512	Bearing 512	2
75	GB13871	Oil Seal 70x100x10	2
76	EFGC125.122A	Hammer Ø 16	36
77	GB5782-M16x80	Bolt M16x80	36
78	GB889.1-M16	Lock Nut M16	36
79	CSM220.012	Right Skid	1
80	CSM160.025	Roller 160	1
80,2	CSM180.025	Roller 180	1

80,3	CSM200.025	Roller 200	1
80,4	CSM210.025	Roller 210	1
81	CSM220.013	Left Skid	1
82	GB5783-M14x40	Bolt M14x40	4
83	GB889.1-M14	Lock Nut M14	4
84	FLP180.115	Bearing Seat	2
85	GB3882-90206	Bearing 90206	2
86	GB893.1-70	Circlip 70	2
87	GB5783-M10x30	Bolt M10x30	2
88	GB97.1-10	Washer 10	2
89	GB889.1-M10	Lock Nut M10	2
90,1	CSM160.101	Mud Shield 160	1
90,2	CSM180.101	Mud Shield 180	1
90,3	CSM200.101	Mud Shield 200	1
90,4	CSM210.101	Mud Shield 210	1
91	CSM220.014	Belt Cover	1
92	GB889.1-M10	Lock Nut M10	2
93	GB97.1-10	Washer 10	2

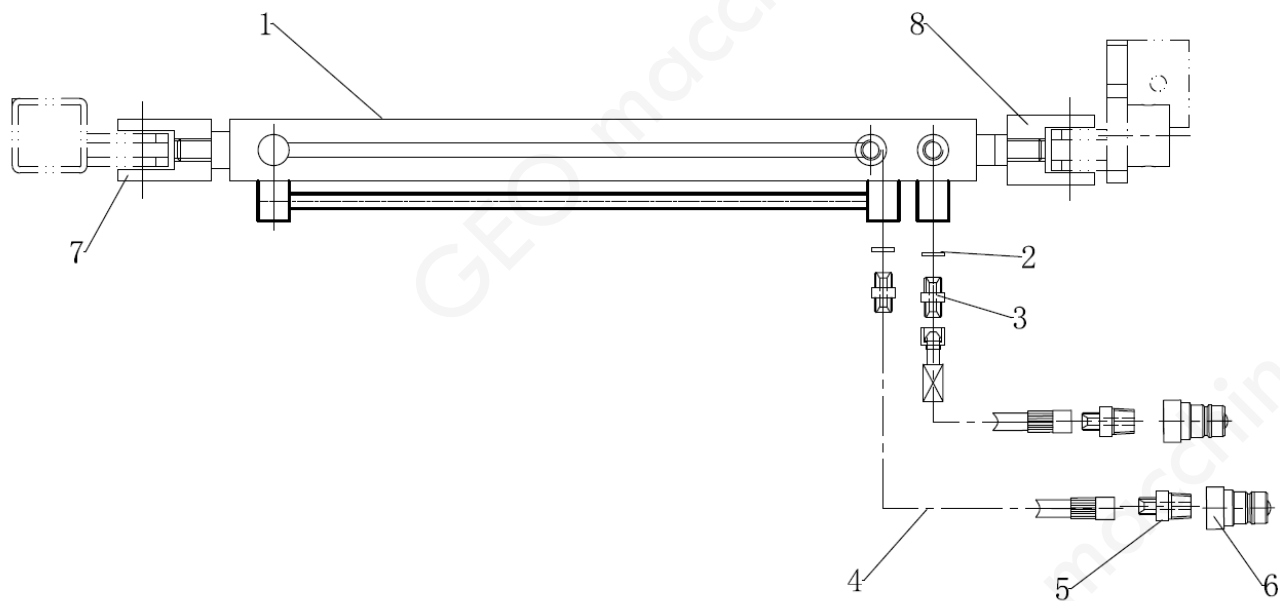
Sezione

2



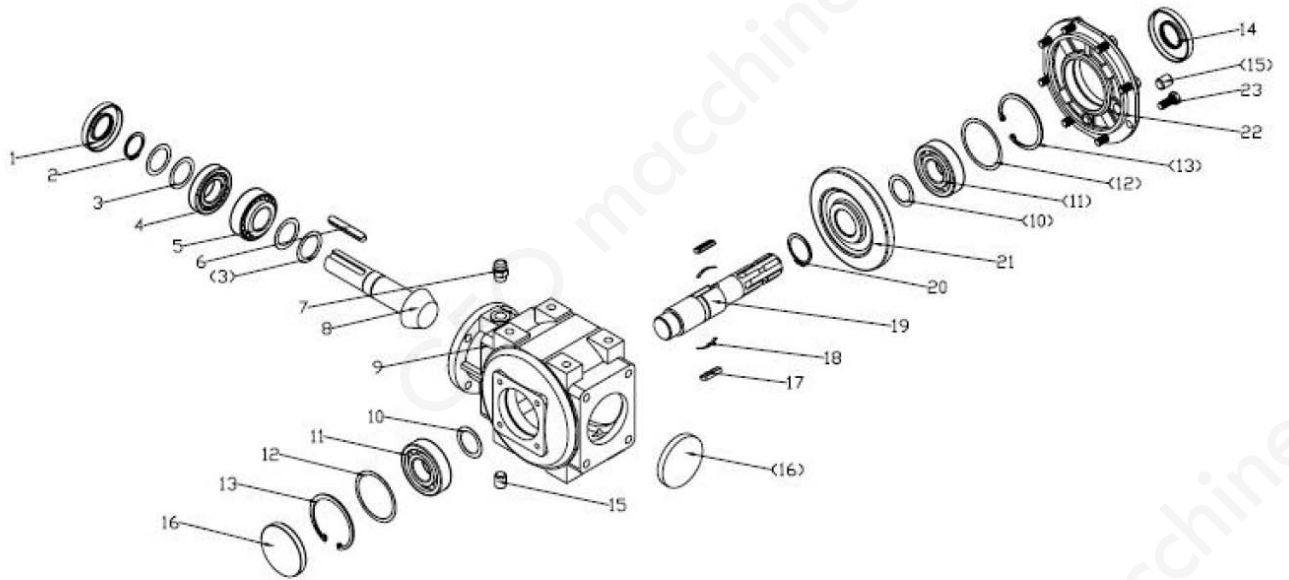
SerNo	PartNo	Description	Quantity
1	GB5782-M16x90	Bolt M16x90	1
2	GB889.1-M16	Lock Nut M16	2
3	CSM220.o81	Connection Seat Weldment	1
4	GB889.1-M20	Lock Nut M20	1
5	GB97.1-20	Washer 20	1
6	CSM220.801	Shaft	1
7	CSM220.o82	Shaft Weldment	1
8	GB5783-M12x45	Bolt M12x45	4
9	GB97.1-12	Washer 12	8
10	GB889.1-M12	Lock Nut M12	4
11	CSM220.802	Connection Plate	2
12	CSM220.o83	Tire	1
13	GB5782-M16x180	Bolt M16x180	1
14	CSM220.803	Shaft Sleeve	1
15	CSM220.804	Sleeve	2
16	GB276-205	Bearing 205	2
17	CSM220.805	Bush	1
18	GB1152-M6x1	Grease Cup M6x1	1

GKK_part3



SerNo	PartNo	Description	Quantity
1	CSM220.091	Cylinder (GKK)	1
2	JB/ZQ4454	Gasket 14 (GKK)	2
3	BH5.60.109	Adapter 14-14 (GKK)	2
4	CSM220.092	Oil Hose (GKK)	2
5	BV160.00.114	Adapter (GKK)	2
6	QC-R1/2-M	Adapter R1/2-M (GKK)	2
7	CSM220.901	Connection Part 1 (GKK)	1
8	CSM220.902	Connection Part 2 (GKK)	1

GK-GKK_Gearbox



SerNo	PartNo	Description	Quantity
1	GB9877.1-88/35X72X10	Oil seal 35×72×10	1
2	GB894.1-89/35	Circlips for shaft 35	1
3	TS50.300Z.01.110	Washer (S) 0.7	4
4	GB297-94/30207	Bearing 30207	1
5	GB297-94/32207	Bearing 32207	1
6	GB1096-79/10X65	Key 10X65	1
7	EFGC125.169	Bolt of plug screw ZG3/8"-19	1
8	TS50.300Z.01.111	Bevel gear shaft	1
9	TS50.300Z.01.101	Gearbox complete	1
10	TS50.300Z.01.105	Washer (S) 1	2
11	GB/T276-94/6307	Bearing 6307	2
12	TS50.300Z.01.104	Washer (B) 0.7	2
13	GB893.1-86/80	Circlips for hole 80	2
14	GB9877.1-88/35X80X10	Oil seal 35×80×10	1
15	ZBT 32001.3-87	Retainer	1
16	TS50.300Z.01.106	Seal cover	2
17	TS50.300Z.01.108	Key	2
18	TS50.300Z.01.109	Spring	2
19	TS50.300Z.02.103	Pinion shaft	1

20	GB894.1-89/42	Circlips for shaft 42	1
21	TS50.300Z.01.107	Bevel gear	1
22	TS50.300Z.01.102	Gearbox cover	1
23	GB5783-86/M10X25	Bolt M18x40	8