

Macchina

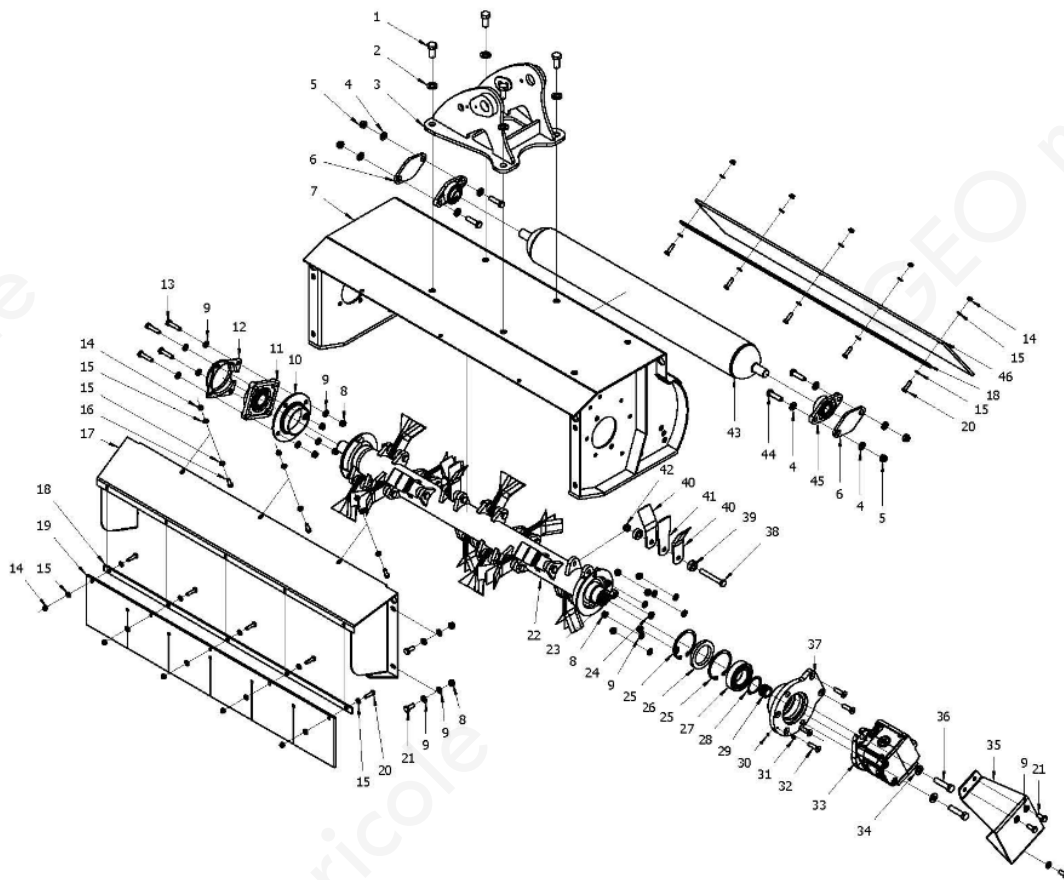
AM125



Sezione

1

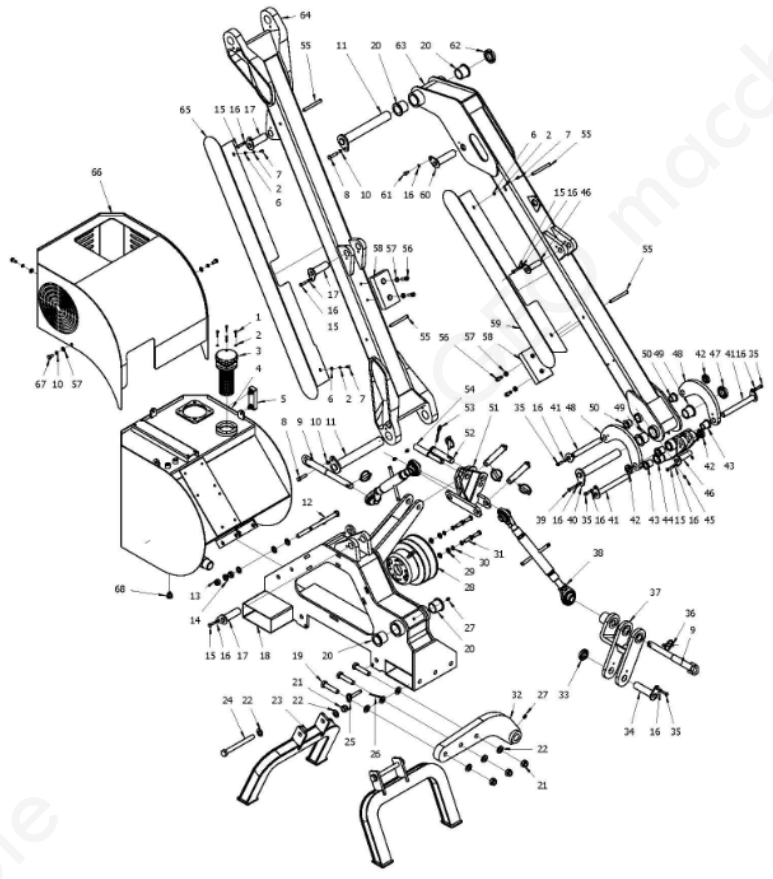
AM125\_part1



SerNo	PartNo	Description	Quantity	Price
1	GB5783-M16 x 35	full screwed bolt	4	
2	GB97.1-16	plain washer	4	
3	FHM46-0101-00	linkage frame weldment	1	
4	GB97.1-12	plain wahser	8	
5	DIN985-M12	hexagon lock thin nut	4	
6	FHM46-0100-12	bearing base plate	2	
7	FHM46-0103-00	hood weldment	1	
8	DIN985-M10	hexagon lock thin nut	15	
9	GB97.1-10	plain washer	26	

10	FHM46-0100-03	second bearing seat	1
11	UCF207	square seat bearing	1
12	FHM46-0100-02	end cap	1
13	GB5783-M10x45	full screw bolt	4
14	DIN985-M8	hexagon lock thin nut	13
15	GB97.1-8	plain washer	26
16	GB5783-M8x25	full screw bolt	3
17	FHM46-0104-00	board weldment	1
18	FHM46-0100-11	(L=1045)pressure bar	2
19	FHM46-0100-10	rubber board	1
20	GB5783-M8x30	full screw bolt	10
21	GB5783-M10x25	full screw bolt	7
22	FHM46-0102-00	blade shaft	1
23	GB6170-M14	hexagon nut	2
24	GB93-14	spring washer	2
25	GB893.1-90	A hole check ring	2
26	GB13871-FB-60X90X10	FB oil seal	1
27	GB288-22210-C	self-aligning roller bearing	1
28	GB894.1-50	A shaft check ring	1
29	FHM46-0100-08	spline housing	1
30	GB77-M6X6	inner hexagon set screw	1
31	GB1152-M6	oil cup	1
32	GB70.3-M10X40	inner hexagon sunk screw	4
33	KM30.22.Lo-83K9	hydraulic motor	1
34	GB97.1-14	plain washer	2
35	FHM46-0100-07	motor protection plate	1
36	GB5783-M14x60	full screw bolt	2
37	FHM46-0100-01	spline seat	1
38	GB5782-M12x90	half screw bolt	16
39	FHM46-0100-04	cushion block	32
40	FHM46-0100-06	bend blade	32
41	FHM46-0100-05	straight blade	16
42	DIN985-M12	hexagon lock thin nut	16
43	FHM46-0105-00	pulley weldment	1
44	GB5782-M12x45	half screw bolt	4
45	UCFL205	bearing	2
46	FHM46-0100-09	rubber board	1

AM125\_part2

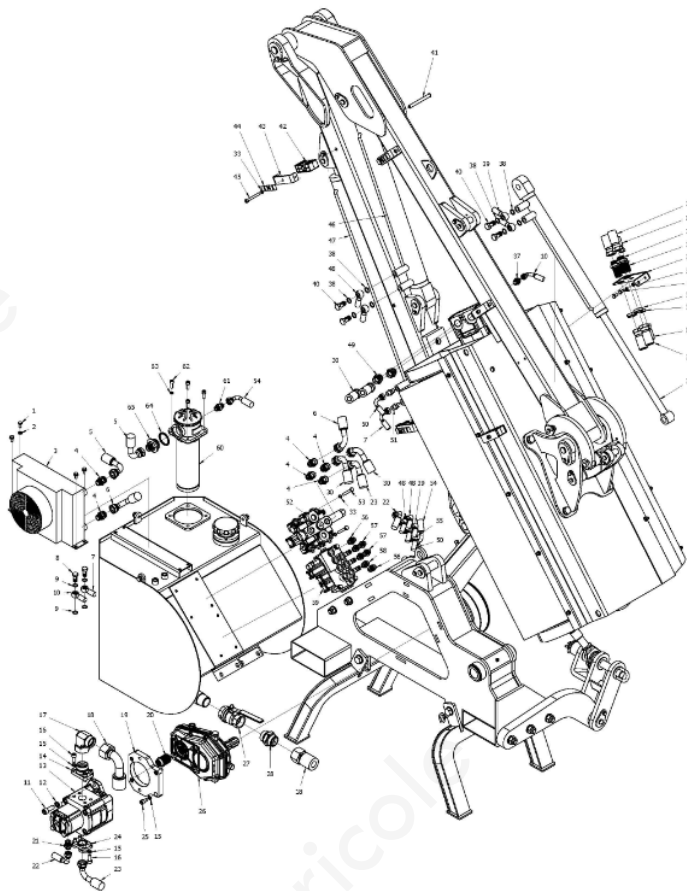


SerNo	PartNo	Description	Quantity	Price
1	GB5783-M6X25	hexagon bolt	4	
2	GB93-6	spring washer	12	
3	4TJ140-1200-01	hydraulic oil tank filter	1	
4	FHM46-0213-00	oil tank	1	
5	JB7941.2-B80	(YWZ-80T) liquidometer	1	
6	GB97.1-6	plain washer	8	
7	GB5783-M6X16	full screw bolt	8	
8	GB5783-M10X45	full screw bolt	2	
9	FHM46-0216-00	below linkage pin shaft	2	
10	GB93-10	spring washer	2	
11	FHM46-0201-00	big boom pin shaft	2	
12	GB5782-M16X160	half screw bolt	2	
13	DIN985-M16	hexagon lock thin nut	2	
14	GB97.1-16	plain washer	4	
15	GB5783-M8X30	full screw bolt	5	
16	GB93-8	spring washer	11	
17	FHM46-0214-00	big boom cylinder pin shaft	3	
18	FHM46-0207-00	bed frame	1	
19	GB5783-M18X80	full screw bolt	3	

20	FHM46-0200-07	shaft sleeve	4
21	DIN985-M18	hexagon lock thin nut	5
22	GB97.1-18	plain washer	10
23	FHM46-0212-00	supporting leg	2
24	GB5782-M18X180	half screw bolt	2
25	FHM46-0211-00	leg brace pin shaft	2
26	1G-150-01-142S	small R pin	2
27	GB1152-M10X1	oil cup	5
28	FM120.00.199D	PTO COVER	1
29	GB97.1-12	plain washer	4
30	GB93-12	spring washer	4
31	GB5783-M12X35	full screw bolt	4
32	FHM46-0208-00	connecting lever	1
33	1G-150.01.131C	M30X1.5 lock round nut	1
34	FHM46-0209-00	lifting ear pin shaft	1
35	GB5783-M8X25	full screw bolt	4
36	200.56.011	lock pin	5
37	FHM46-0210-00	lifting ear	1
38	FHM46-0217-00	adjusting pull rod	2
39	GB5783-M8X40	full screw bolt	1
40	FHM46-0206-00	hitch frame pin shaft	1
41	FHM46-0205-00	arm plate pin shaft	3
42	FSLU-M22X1.5	nylon lock round nut	3
43	FHM46-0200-13	push rod seat shaft sleeve	4
44	FHM46-0200-05	push rod	1
45	GB1152-M6	oil cup	2
46	FHM46-0204-00	cylinder pin shaft	2
47	FSLU-M35X1.5	nylon lock round nut	1
48	FHM46-0200-03	arm plate	2
49	FHM46-0200-04	shaft sleeve 1	2
50	FHM46-0200-14	shaft sleeve 2	2
51	FHM46-0218-00	linkage frame	1
52	FHM46-0200-11	side plate pin shaft	3
53	ZL-25.104	big R pin	1
54	FHM46-0200-12	hitch pin shaft	1
55	FHM46-0200-08	hold-down nut	4
56	GB70.1-M10X30	inner hexagon socket cap screw	4
57	GB97.1-10	plain washer	4
58	FHM46-0200-02	limited block	2

59	FHM46-0200-01	oil tube cover 2	1
60	FHM46-0202-00	small arm pin shaft	1
61	GB5783-M8X16	full screw bolt	1
62	FSLU-M40X1.5	nylon lock round nut	2
63	FHM46-0203-00	small arm	1
64	FHM46-0215-00	big arm	1
65	FHM46-0200-06	oil tube cover 1	1
66	FHM46-0220-00	oil tank cover	1
67	GB5783-M10X20	full screw bolt	3
68	CBW-00.015	drain plug	1

### AM125\_part3

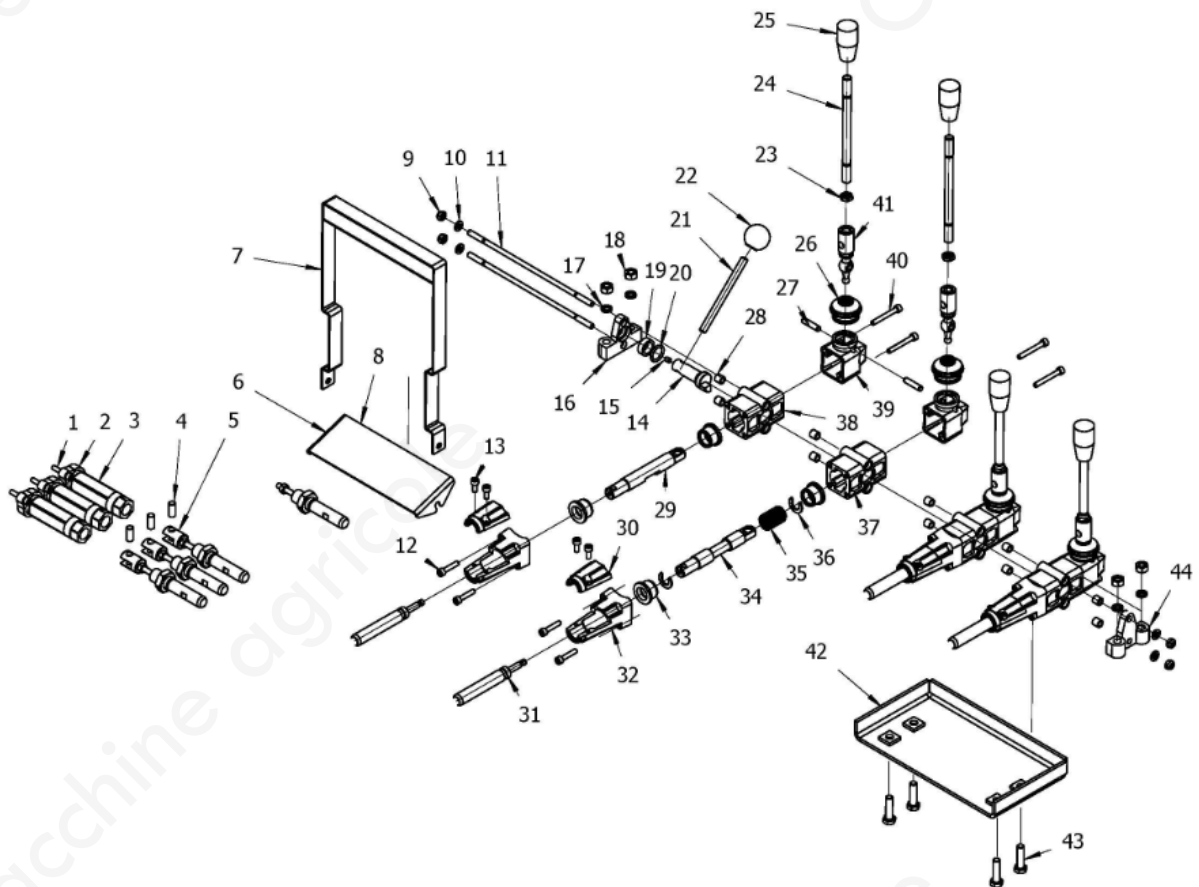


SerNo	PartNo	Description	Quantity	Price
1	GB5783-M8X16	full screw bolt	6	
2	GB97.1-8	plain washer	4	
3	F2086-DC12V	air cooling	1	
4	1DB-30-08WD	M30x2-G1/2 transition connector	6	
5	FHM46-0319-00	radiator to oil filter tube	1	
6	FHM46-0318-00	single valve to radiator tube	1	
7	FHM46-0314-00	big arm oil return tube	1	
8	GB3541-M14X1.5	hinge joint bolt	2	
9	TDQ-14	copper washer	4	

9	1CB-16-06WD	M16×1.5-G3/8 connector	4
10	FHM46-0312-00	motor oil return transition tube	1
11	GB70.1-M14X35	inner hexagon socket cap screw	2
12	GB93-14	spring washer	2
13	7991004W	oil pump	1
14	FHM46-0317-02	oil pump oil inlet connector	1
15	GB93-14	spring washer	12
16	GB70.1-M10X25	inner hexagon socket cap screw	8
17	2C9-45W	M45X2 bend	1
18	FHM46A-0304-00	pump to oil tank tube	1
19	FHM46-0317-01	connecting plate	1
20	FHM46-0317-04	spline housing	1
21	1CO-18-10	M18X1.5-7/8X14 transition connector	1
22	FHM46-0308-00	multiple-way valve to pump oil tube	1
23	FHM46-0306-00	single-way valve to pump oil tube	1
24	FHM46-0317-03	oil pump oil exit connector	1
25	GB70.1-M10X20	inner hexagon socket cap screw	4
26	70001-4	set-up gear box	1
27	QF-G1.1/4	ball valve	1
28	1CT-45-20	1/4-M45x2 transition connector	1
29	FHM46-0303-00	oil cylinder	1
30	FHM46-0310-00	motor oil tube	2
31	GB6173-M14X1.5	fin thread thin nut	1
32	GB6173-M30X2	fin thread thin nut	2
33	GB93-8	spring washer	11
34	FHM46-0300-01	junction plate	1
35	6C-14	M14×1.5 connector	1
36	6C-30	M30×2 connector	2
37	1CB-14-06WD	M14×1.5-G3/8 connector	1
38	TDQ-16	copper washer	8
39	FHM46-0307-00	oil cylinder tube	2
40	GB3541-M16X1.5	hinge joint bolt	4
41	FHM46-0200-08	hold-down nut	4
42	QHTTPG-430	pipe clamp	5
43	FHM46-0300-03	pipe clamp bottom plate	4
44	FHM46-0300-04	small pipe clamp	4
45	GB70.1-M8X70	inner hexagon socket cap screw	3
46	FHM46-0302-00	small arm cylinder	1
47	FHM46-0301-00	big arm cylinder	1

48	FHM46-0311-00	small arm cylinder tube	2
49	1CB-30-12WD	M30x2-G3/4 transition connector	2
50	FHM46-0305-00	big arm cylinder	1
51	1CM-16-14WD	M16x1.5-M14x1 transition connector	2
52	lo8384_0	single-way valve	1
53	GB5782-M8X60	half screw bolt	5
54	FHM46A-0316-00	multiple-way valve to oil filter tube	1
55	G3/8 (4B-06WD)	uter hexagon frame combination plug	1
56	1CB-18-06WD	M18x1.5-G3/8 connector	2
58	MBH-8.08.305Y	throttle connector	1
59	AM60.04.022Y	triple way valve	1
60	RFA-160x30L	oil return filter	1
61	1CM-18WD	M18x1.5 adapter	1
62	GB70.1-M12X30	inner hexagon socket cap screw	4
63	GB93-12	spring washer	4
64	JB982-48	bonded washer	1

AM125\_part4



SerNo	PartNo	Description	Quantity	Price
-------	--------	-------------	----------	-------

1	GB70.1-M5X20	inner hexagon socket cap screw	6
2	AM60.01.201	flange	3
3	AM60.01.202	pressure casting pipe	3

4	AM60.01.205	pin	4
5	AM60.01.204	AL connector	4
6	AM60.01.115	plate for sticker	1
7	FHM46-0402-00	hand shank supporting frame	1
8	FHM46-0400-01	sticker	1
9	DIN985-M6	hexagon lock thin nut	4
10	GB97.1-6	6 gasket	4
11	AM60.01.101	screw	2
12	GB70.1-M5X25	inner hexagon socket cap screw	8
13	GB70.1-M5X12	inner hexagon socket cap screw	8
14	AM60.01.106	lock shaft	1
15	GB78-M5X8	inner hexagon set screw	1
16	AM60.01.105	fixing seat	1
17	GB93-8	spring washer	4
18	GB6170-M8	hexagon nut	4
19	AM60.01.104	sleeve	1
20	GB3452.1-G-16X2.65	O sealing	1
21	AM60.01.107	lock joystick	1
22	AM60.04.092	handle	1
23	GB6172.1-M10	thin nut	4
24	MBH-6.08.108	joystick	4
25	BH-6.07.091	hand shank	4
26	AM60.01.119	bush	4
27	GB119.1-B-6X26	B cylindrical pin	4
28	AM60.01.103	locating sleeve	10
29	AM60.01.118A	pull rod 2	1
30	AM60.01.112A	lower cover	4
31	AM60.01.011A	drag line	4
32	AM60.01.123A	lower cover	4
33	AM60.01.109	flange sleeve	8
34	AM60.01.111A	pull rod 1	3
35	AM60.01.110	return spring	3
36	AM60.01.122	check ring	6
37	AM60.01.113	shell	3
38	AM60.01.117	shell with pin hole	1
39	AM60.01.114	upper cap	4
40	GB70.1-M5X40	inner hexagon socket cap screw	8
41		shifting block	4
42	FHM46-0401-00	joystick cushion	1



43	GB70.2-M8X30	inner hexagon flat round head screw	4
44	AM60.01.102	fixing seat 1	1