

Macchina

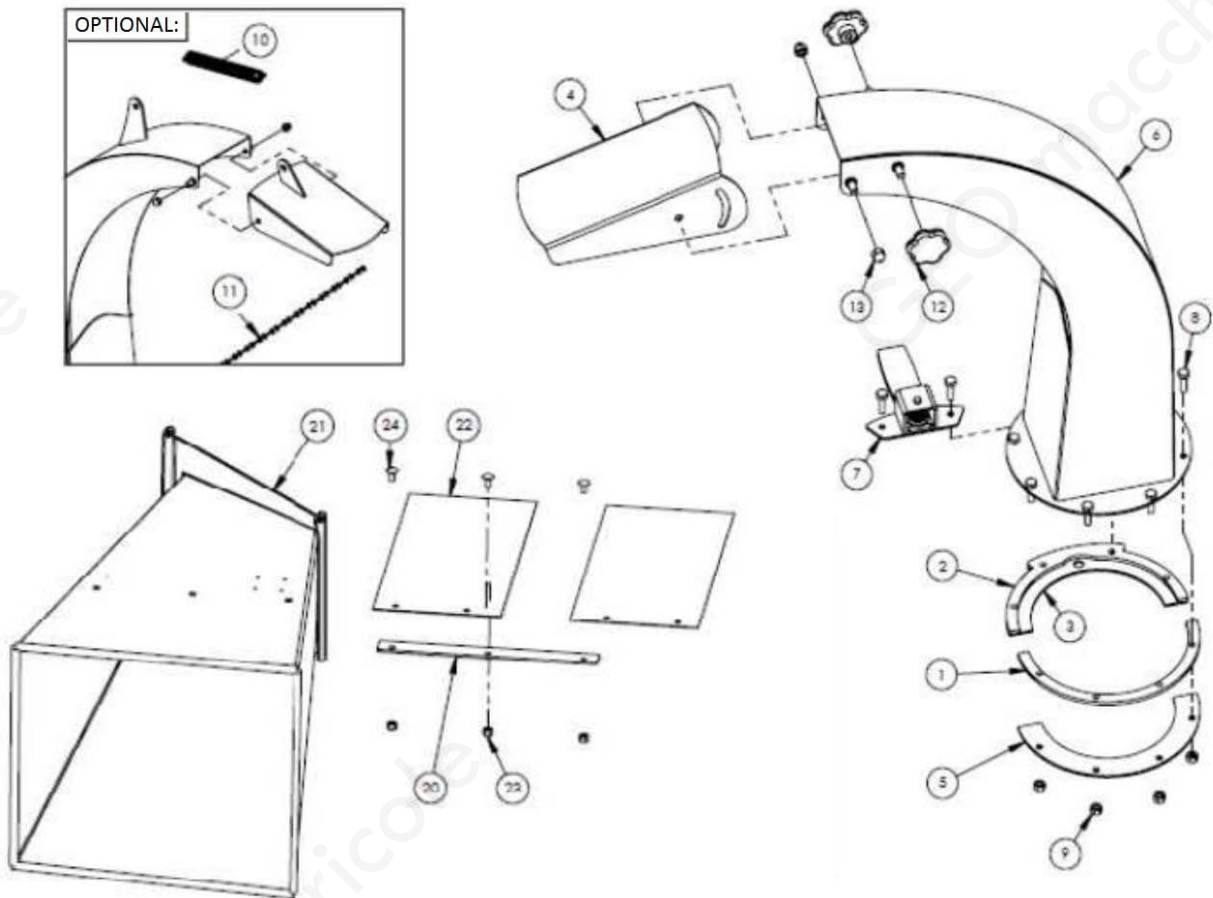
ECO16



Sezione

1

ECO16_HopperDischargeChute



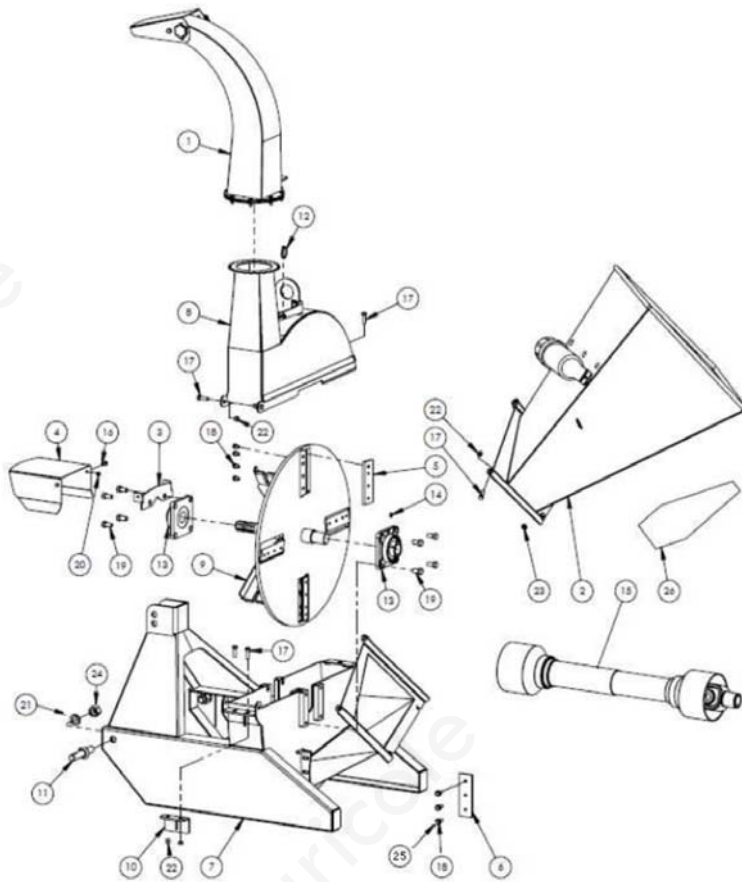
SerNo	PartNo	Description	Quantity
1	1011L127	Plate, Spacer Ring	1
2	1011L129	Plate, Spacer Ring	1
3	1011L130	Plate, Hood Capture	1
4	1011L133	Deflector, Discharge Chute	1
5	1011L134	Plate, Hood Capture	1
6	1011W106	Discharge Chute	1
7	1012W208	Assembly, Hood Latch	1
8	GB/T5783/M6x20	Bolt M6x20	8
9	GB/T889.1/M6	Lock Nut M6	8

10	/		
11	/		
12	Z19313	Knob	2
13	GB/T802/M8	Acorn Nut M8	2
20	1011L151	Strap, Hopper Flap	1
21	1011A102	Self-Feed Hopper	1
22	1012S203	Flap, Hopper	2
23	GB/T889.1/M8	Lock Nut M8	3
24	GB/T12/M8x25	Carriage Bolt M8x25	3

Sezione

2

ECO16_MainAssembly



SerNo	PartNo	Description	Quantity
1	1011A101	Assembly, Discharge Chute	1
2	1011A102	Self-Feed Hopper	1
3	1011L106	Bracket, PTO Cover Mount	1
4	1011L112	PTO Cover	1
5,1	1011M103	Knife, Rotor	4
5,2	1011M103-PLUS	Knife type PLUS, Rotor	4
6,1	1011M104	Knife, Ledger	1
6,2	1011M104-PLUS	Knife tupe PLUS, Ledger	1

7	1011W101	Housing, Bottom Rotor	1
8	1011W102	Housing, Upper Rotor	1
9	1011W103	Rotor	1
10	1011W104	Twig Breaker	1
11	Z11431	Implement Pin	2
12	Z12110	Latch Pin	1
13	Z25204	4-Bolt Bearing F208	2
14	GB/T1152-89/M6	Grease Zerk M6	2
15	Z44501	#5 PTO Shaft M10 Shear	1
16	GB/T5783/M6x20	Bolt M6x20	2
17	GB/T5783/M12x30	Bolt M12x30	7
18	GB/T5786/M8x1x1	Bolt M8x1x15	19
19	GB/T5786/M16x1.	Bolt M16x1.5x45	8
20	GB/T889.1/M6	Lock Nut M6	2
21	GB/T93/22	Lock Washer 22	2
22	GB/T889.1/M12	Lock Nut M12	5
23	GB/T6177.1/M10	Flange Nut M10	2
24	GB/T6171/22x1.5	Nut M22x1.5	2
25	GB/T97.1/8	Plain Washer 8	3